



US00D974690S

(12) **United States Design Patent** (10) **Patent No.:** **US D974,690 S**
Zesch et al. (45) **Date of Patent:** **** Jan. 3, 2023**

(54) **CART**
(71) Applicant: **Rubbermaid Commerical Products LLC**, Atlanta, GA (US)
(72) Inventors: **Brian Zesch**, Mooresville, NC (US); **Tyler Stanley Switzer**, Mooresville, NC (US); **Ryan M. Baker**, Charlotte, NC (US); **Jeffrey S. Bertucci**, Denver, NC (US); **Juan Carlos Perez**, Huntersville, NC (US)
(73) Assignee: **RUBBERMAID COMMERCIAL PRODUCTS LLC**, Atlanta, GA (US)

D363,590 S * 10/1995 Kazmerchek D34/21
D391,032 S * 2/1998 Delmerico D34/21
RE41,761 E 9/2010 Ng
8,523,197 B2 9/2013 Baatz
D758,688 S * 6/2016 Nai D34/12
D796,145 S * 8/2017 Ruttan D34/19
9,913,533 B1 3/2018 Ke
D858,927 S * 9/2019 Wolford D34/14
D869,809 S * 12/2019 Dardashti D34/14
10,604,170 B1 3/2020 Davis
D889,763 S * 7/2020 Olson D34/19
D923,903 S * 6/2021 Shane D34/19
2019/0047602 A1 * 2/2019 Dardashti B62B 3/10
2019/0111956 A1 * 4/2019 Phillips A47B 31/00
2020/0223463 A1 7/2020 Chen

* cited by examiner

(**) Term: **15 Years**

Primary Examiner — Cynthia Ramirez

(21) Appl. No.: **29/775,429**

(74) *Attorney, Agent, or Firm* — Eversheds Sutherland (US) LLP

(22) Filed: **Mar. 23, 2021**

(51) **LOC (14) Cl.** **12-02**

(52) **U.S. Cl.**
USPC **D34/21**

(58) **Field of Classification Search**
USPC D34/12-27
CPC .. B62B 3/00; B62B 3/10; B62B 3/022; B62B 3/02; B62B 3/004; B62B 3/027; B62B 3/04; B62B 2205/00; B62B 5/026; B62B 1/12; B62B 1/00; B62B 1/10; B62B 1/14; B62B 1/047; B62B 1/04

See application file for complete search history.

(56) **References Cited**

U.S. PATENT DOCUMENTS

2,886,186 A * 5/1959 Hamilton A47B 31/00
211/186
D362,102 S * 9/1995 Campbell D6/675

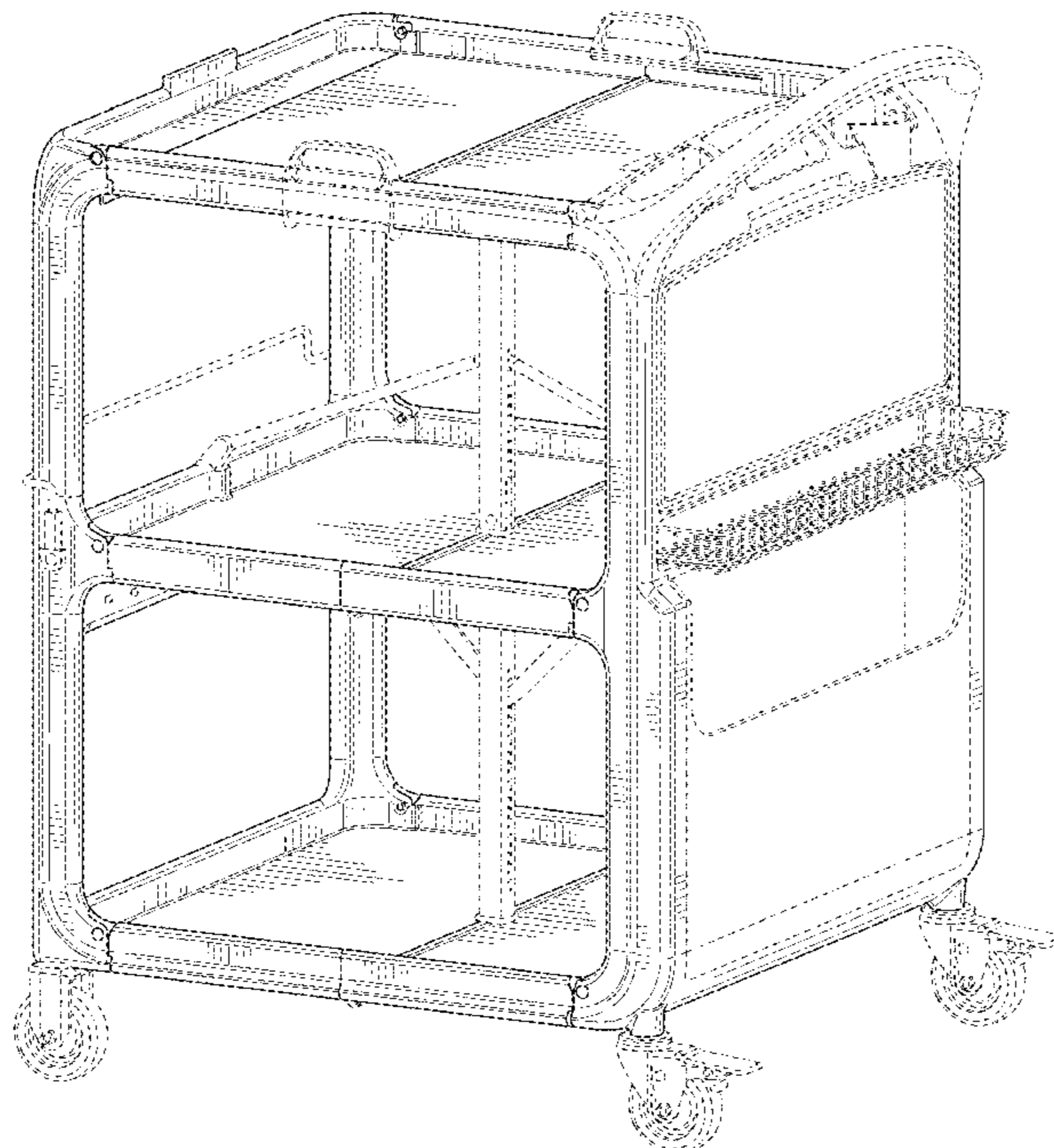
(57) **CLAIM**

We claim the ornamental design for a cart, as shown and described.

DESCRIPTION

FIG. 1 is a perspective view showing our new design for a cart;
FIG. 2 is a rear view showing the cart of FIG. 1;
FIG. 3 is a front view showing the cart of FIG. 1;
FIG. 4 is a first side view showing the cart of FIG. 1;
FIG. 5 is a second side view showing the cart of FIG. 1;
FIG. 6 is a top view showing the cart of FIG. 1; and,
FIG. 7 is a bottom view showing the cart of FIG. 1.
In FIGS. 1 to 7, the broken lines are for purpose of illustrating portions of the cart that form no part of the claimed design.

1 Claim, 7 Drawing Sheets



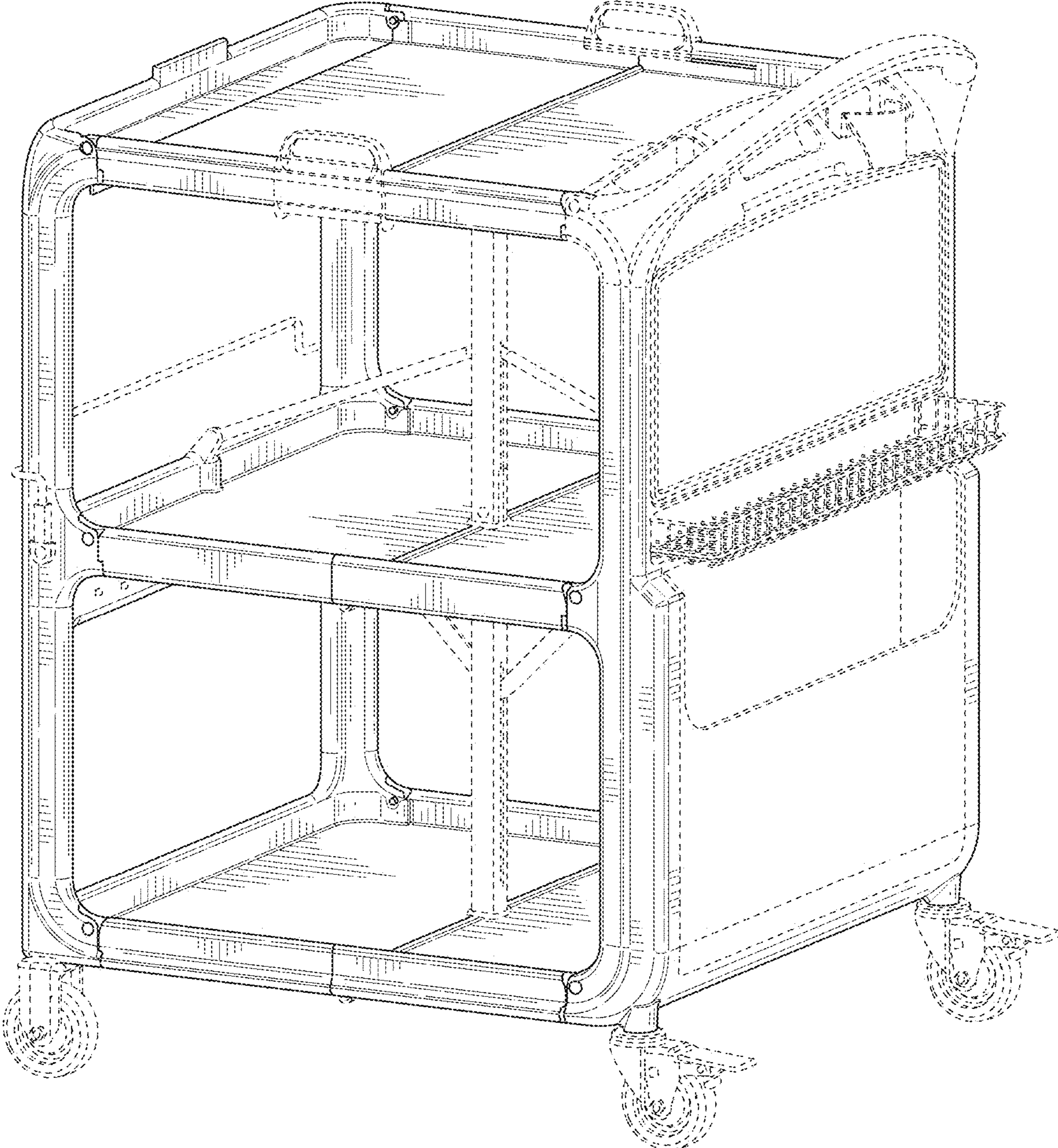


FIG. 1

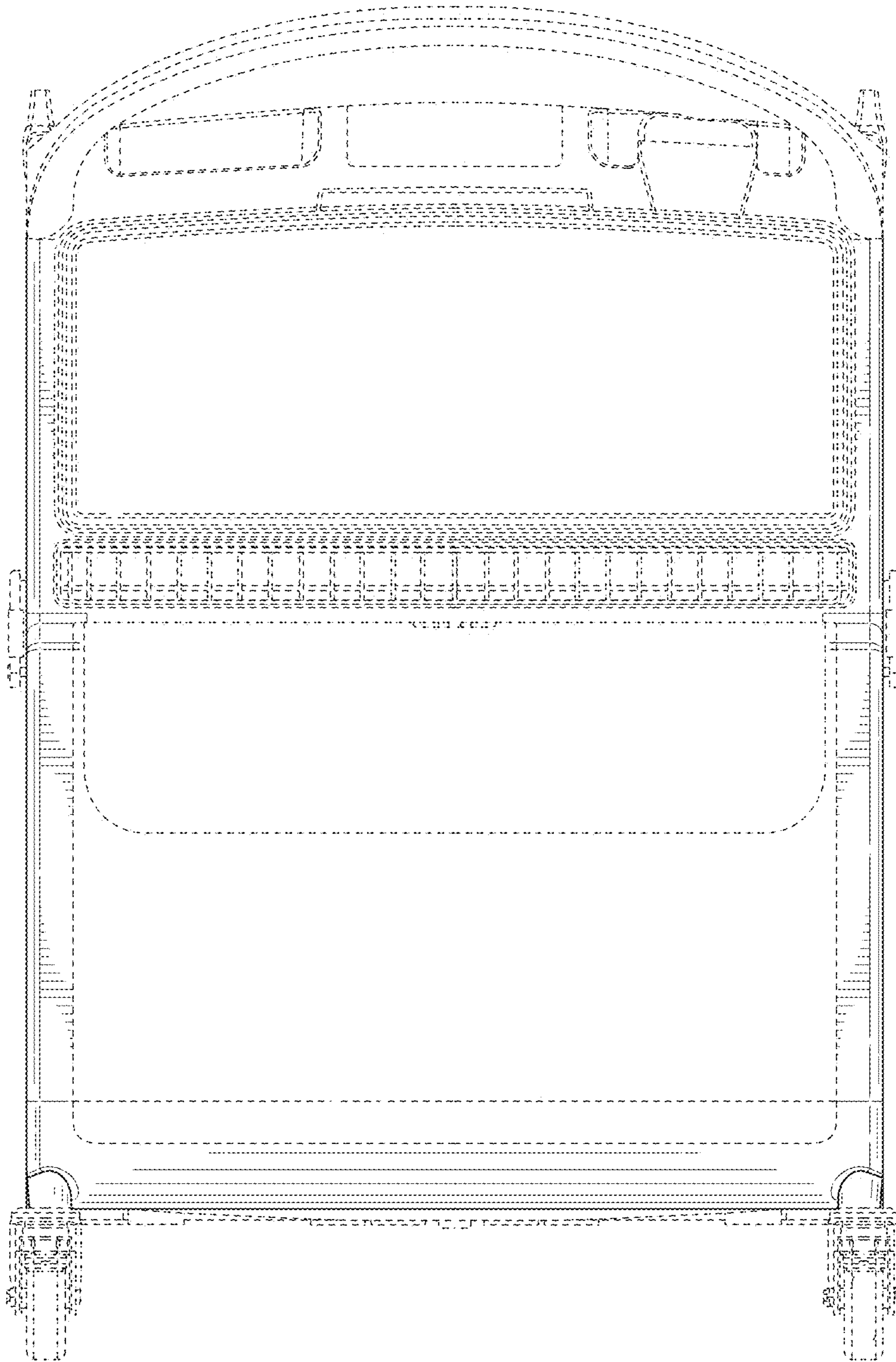


FIG. 2

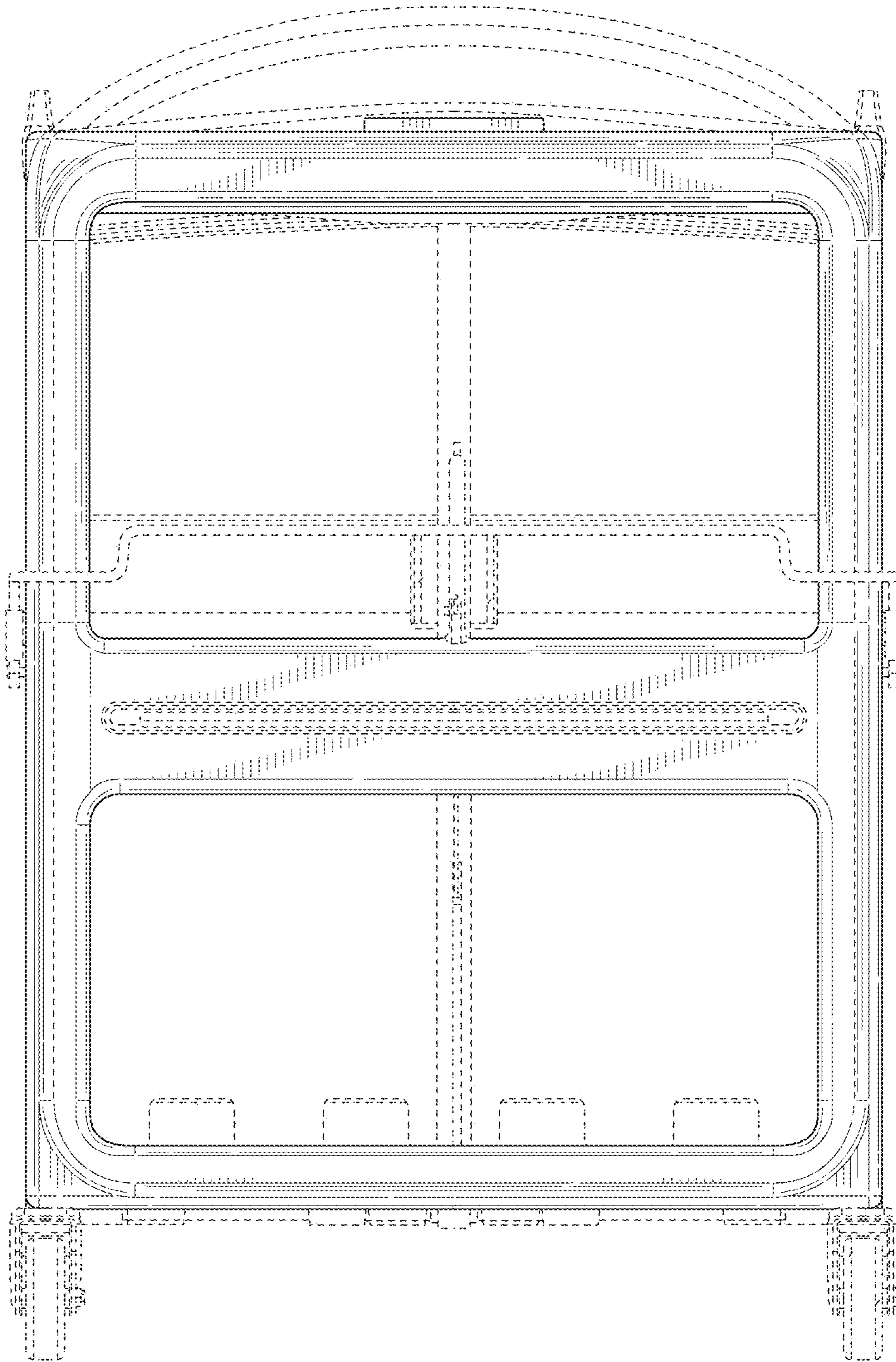


FIG. 3

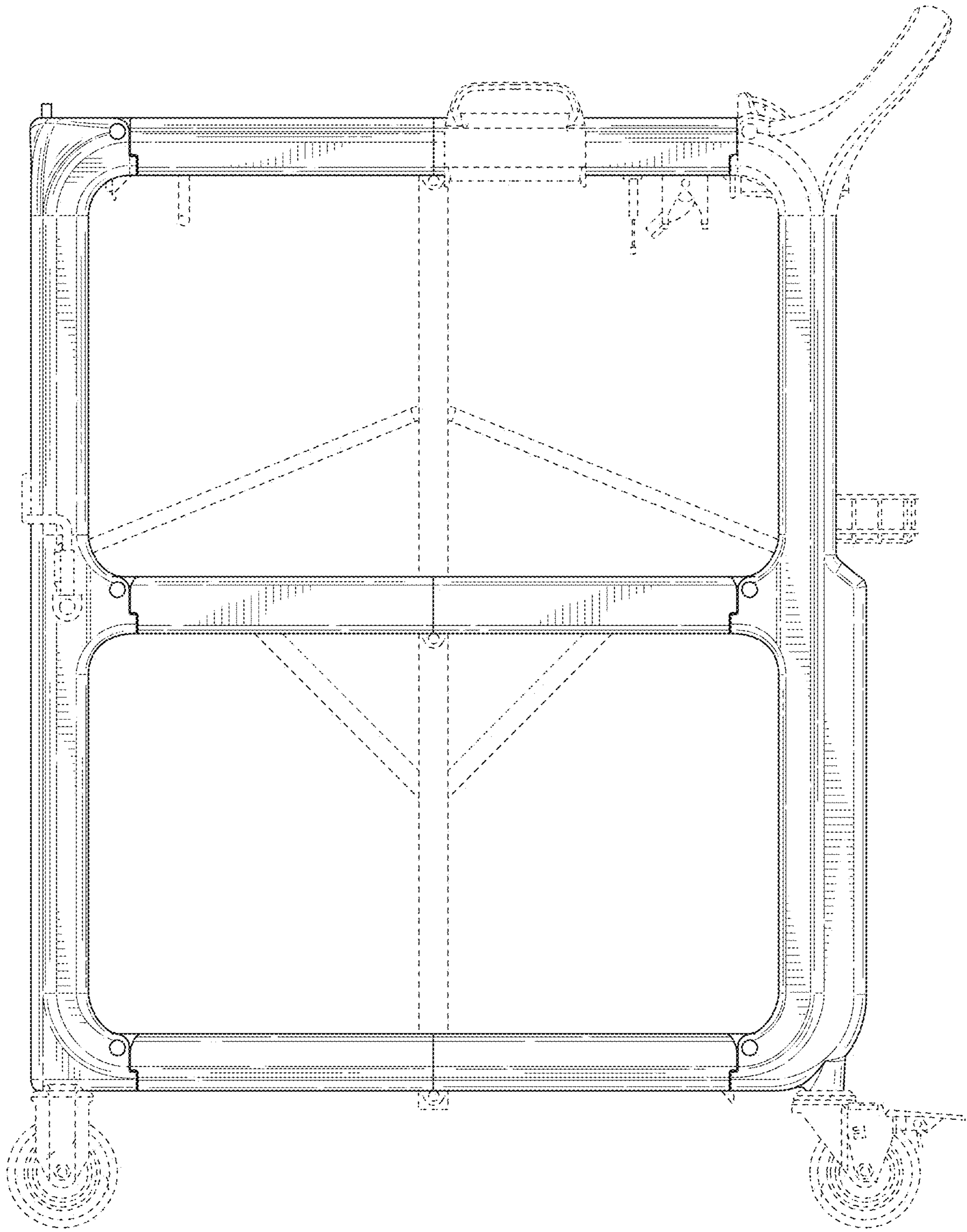


FIG. 4

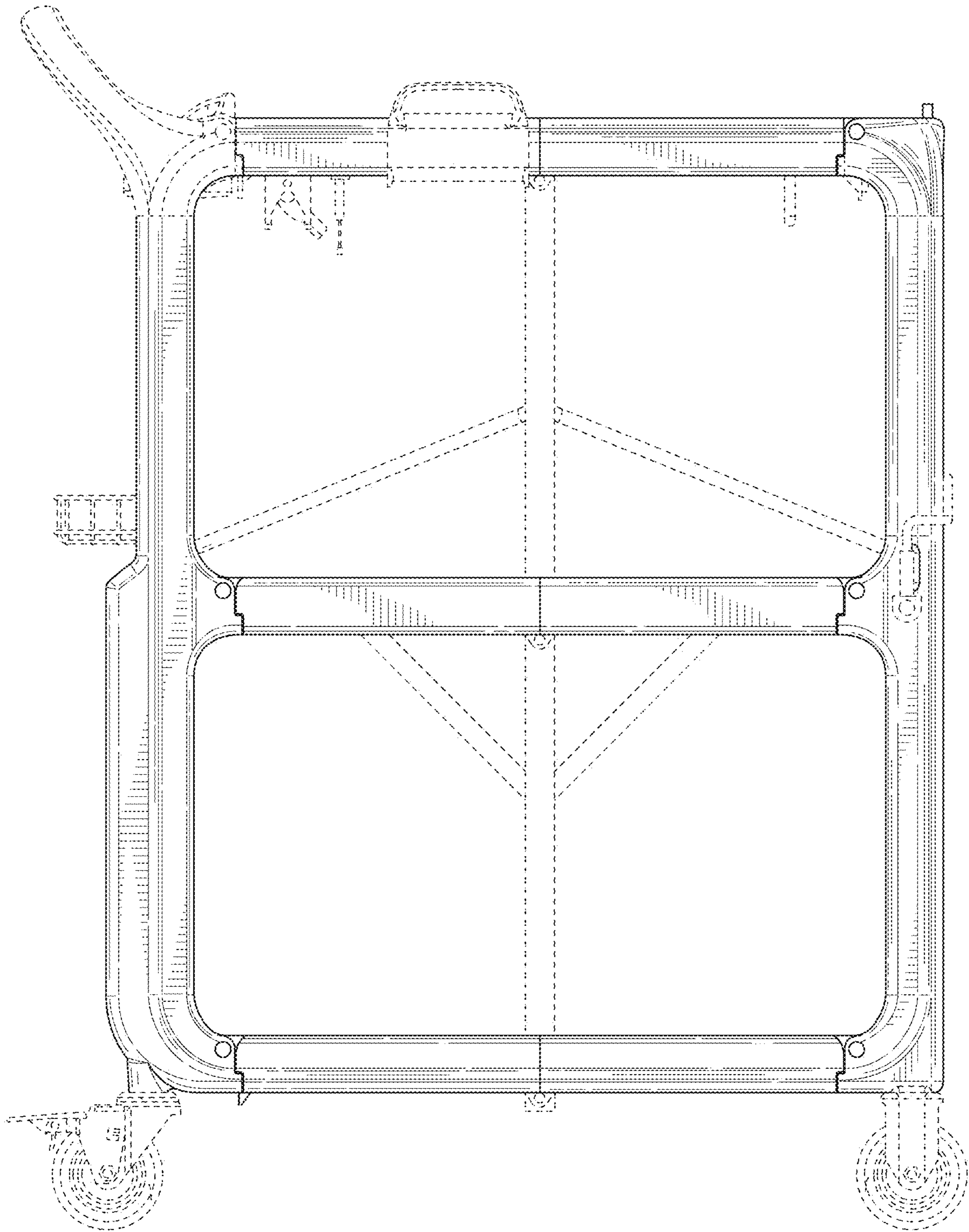


FIG. 5

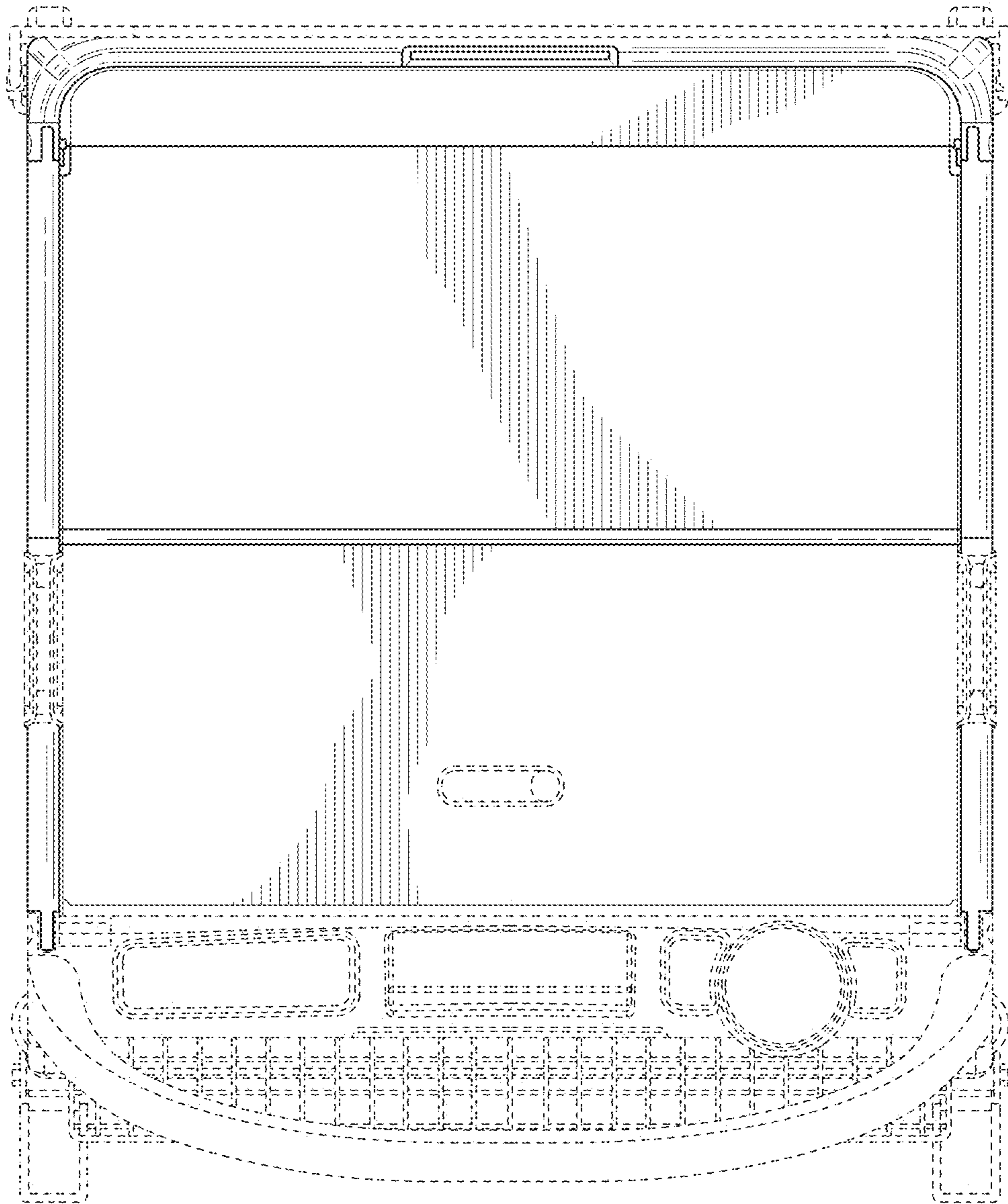


FIG. 6

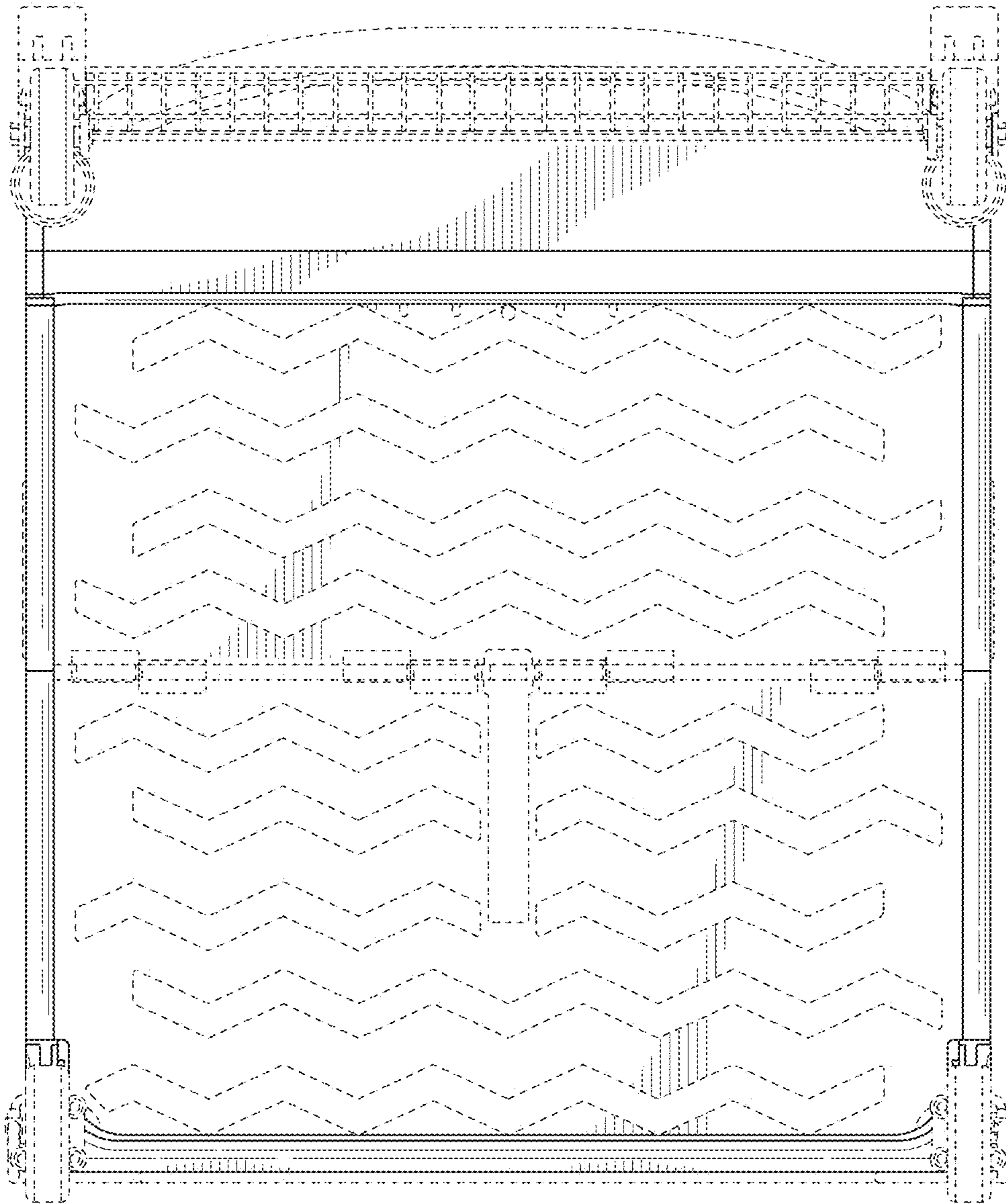


FIG. 7