



US00D974684S

(12) **United States Design Patent**
Maniff et al.

(10) **Patent No.:** **US D974,684 S**
(45) **Date of Patent:** **** Jan. 3, 2023**

(54) **REMOVABLE COVER FOR A ROBOTIC CLEANING DEVICE**

- (71) Applicant: **Maniff Creations, Inc.**, Stevenson Ranch, CA (US)
- (72) Inventors: **Jonathan Maniff**, Stevenson Ranch, CA (US); **Francesca Maniff**, Stevenson Ranch, CA (US)
- (73) Assignee: **Maniff Creations, Inc.**, Leesburg, VA (US)

(**) Term: **15 Years**

(21) Appl. No.: **29/771,004**

(22) Filed: **Feb. 18, 2021**

(51) **LOC (14) Cl.** **15-05**

(52) **U.S. Cl.**
USPC **D32/25; D32/31**

(58) **Field of Classification Search**
USPC D32/15, 16, 19, 21, 25, 32; D3/216, 217
CPC ... A47L 9/009; A47L 9/14; A47L 9/28; A47L 11/40; A47L 7/0085; A47L 9/00; A47L 2201/00; A63H 3/003
See application file for complete search history.

(56) **References Cited**

U.S. PATENT DOCUMENTS

D256,602 S *	8/1980	Adelson	D21/616
D325,656 S *	4/1992	Davis	D21/599
D348,173 S *	6/1994	Keller	D21/615
D348,372 S *	7/1994	Keller	D6/601
D355,077 S *	2/1995	Tegner	D30/118
5,634,223 A *	6/1997	Obermaier	A47C 9/002 297/452.41
D397,900 S *	9/1998	Besen	D21/611

(Continued)

OTHER PUBLICATIONS

Small business in Ashburn turns robotic vacuums into adorable companions (on-line), dated Jan. 15, 2021. Retrieved from Internet Jun. 8, 2022, URL: <https://www.localdvm.com/news/local-news/virginia/small-business-in-ashburn-va-turns-robotic-vacuums-into-adorable-companions/> (4 pages) (Year: 2021).*

(Continued)

Primary Examiner — Kimberly Barnes

(74) *Attorney, Agent, or Firm* — James E. Schutz; Korbin M. Blunck

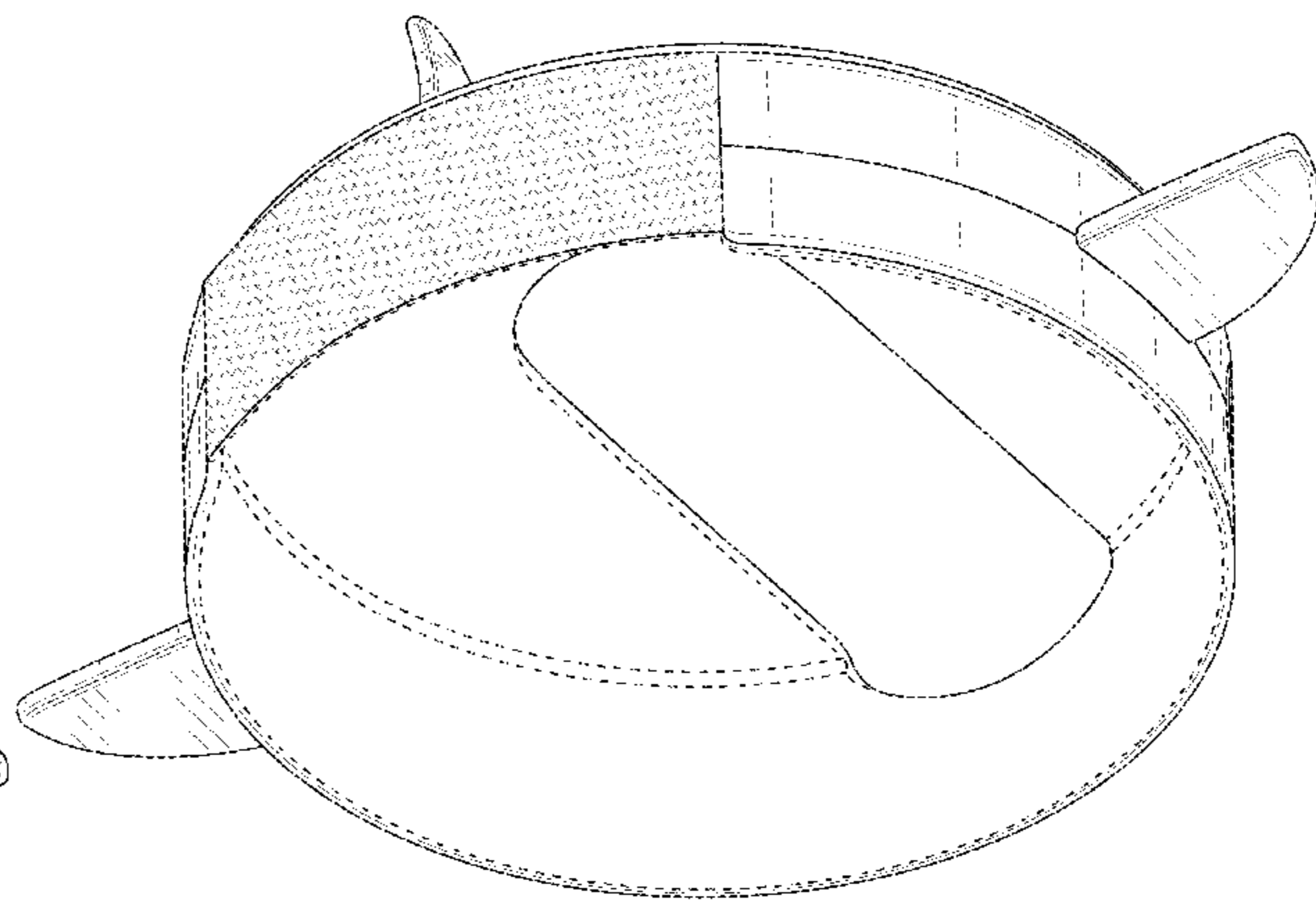
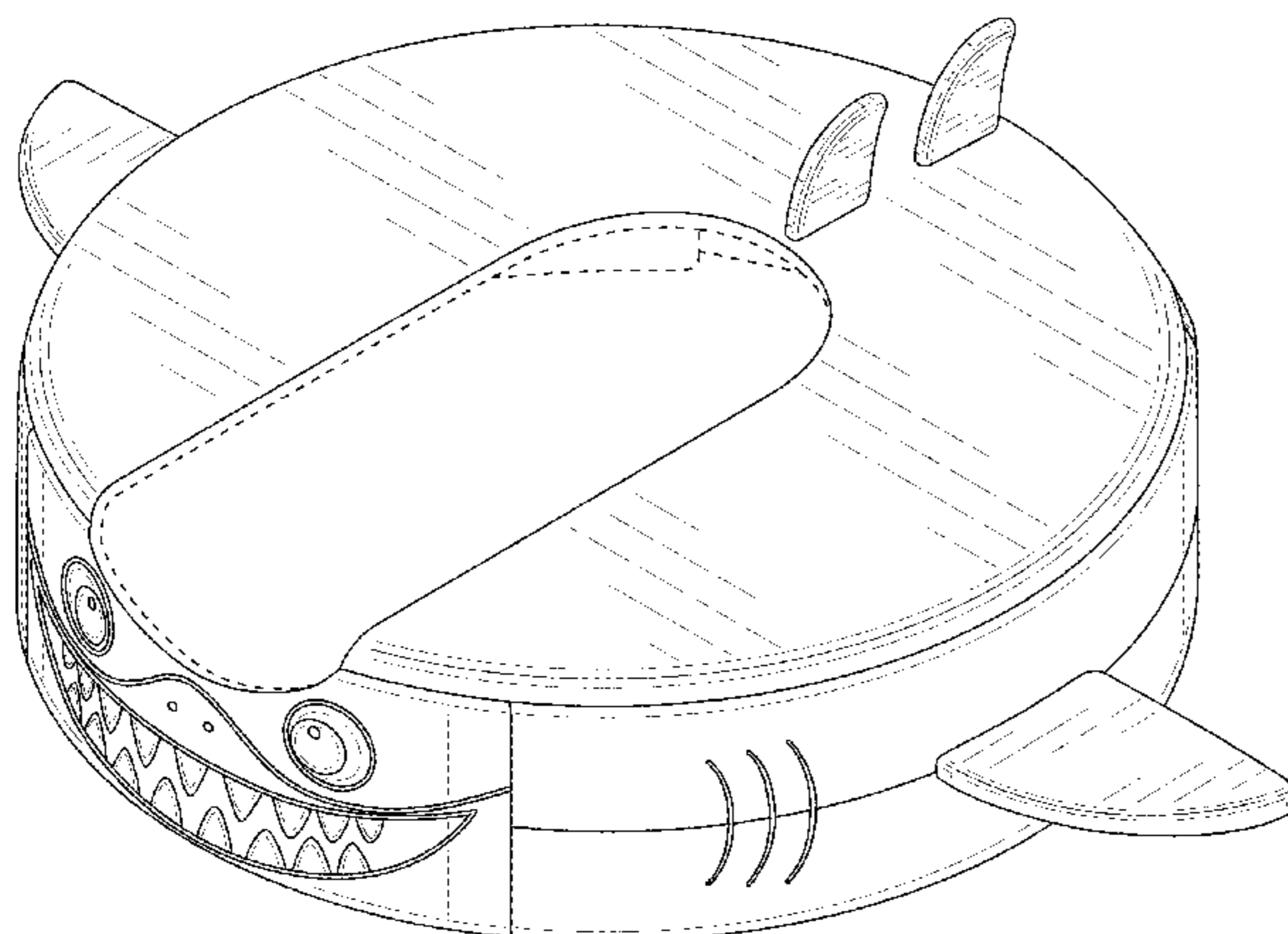
(57) **CLAIM**

We claim the ornamental design for a removable cover for a robotic cleaning device, as shown and described.

DESCRIPTION

FIG. 1 is an upper perspective view of a removable cover for a robotic cleaning device showing our new design; FIG. 2 is a lower perspective view of the design shown in FIG. 1; FIG. 3 is a front plan view of the design shown in FIG. 1; FIG. 4 is a rear plan view of the design shown in FIG. 1; FIG. 5 is a left side plan view of the design shown in FIG. 1; FIG. 6 is a right side plan view of the design shown in FIG. 1; FIG. 7 is a top plan view of the design shown in FIG. 1; and, FIG. 8 is a bottom plan view of the design shown in FIG. 1. The broken lines shown represent portions of the removable cover for a robotic cleaning device that form no part of the claimed design. The shade lines shown represent surface shading and not surface ornamentation, color, or material type. The rear panel on the removable cover for a robotic cleaning device forms a part of the claimed design and the texture represents a contrast in material.

1 Claim, 8 Drawing Sheets



(56)

References Cited

U.S. PATENT DOCUMENTS

D408,193 S * 4/1999 Bear D21/615
D410,167 S * 5/1999 Bear D21/654
D425,697 S * 5/2000 Chapman D3/217
D497,227 S * 10/2004 Dolton, III D32/15
D519,578 S * 4/2006 Carruth D21/615
D537,576 S * 2/2007 Koury D32/21
D555,740 S * 11/2007 Johnson D11/158
D589,683 S * 4/2009 Knab D2/869
D592,381 S * 5/2009 Knab D2/869
8,321,978 B1 * 12/2012 Fulton A63H 3/003
5/639
D699,033 S * 2/2014 Welch D3/217
D940,975 S * 1/2022 Maniff D32/25
D940,976 S * 1/2022 Maniff D32/25
D940,977 S * 1/2022 Maniff D32/25
D943,852 S * 2/2022 Maniff D32/25
2002/0023917 A1 * 2/2002 Hall-Grace H05B 3/34
219/528
2016/0236103 A1 * 8/2016 Pettrey, III A63H 3/02

OTHER PUBLICATIONS

Stormy the Shark—Robo Rascals Roomba Covers (on-line), dated May 11, 2021. Retrieved from Internet Jun. 10, 2022, URL: <https://web.archive.org/web/20210511155217/https://www.roborascals.com/shop/roomba-covers/stormy-the-shark/> (2 pages) (Year: 2021).*

* cited by examiner

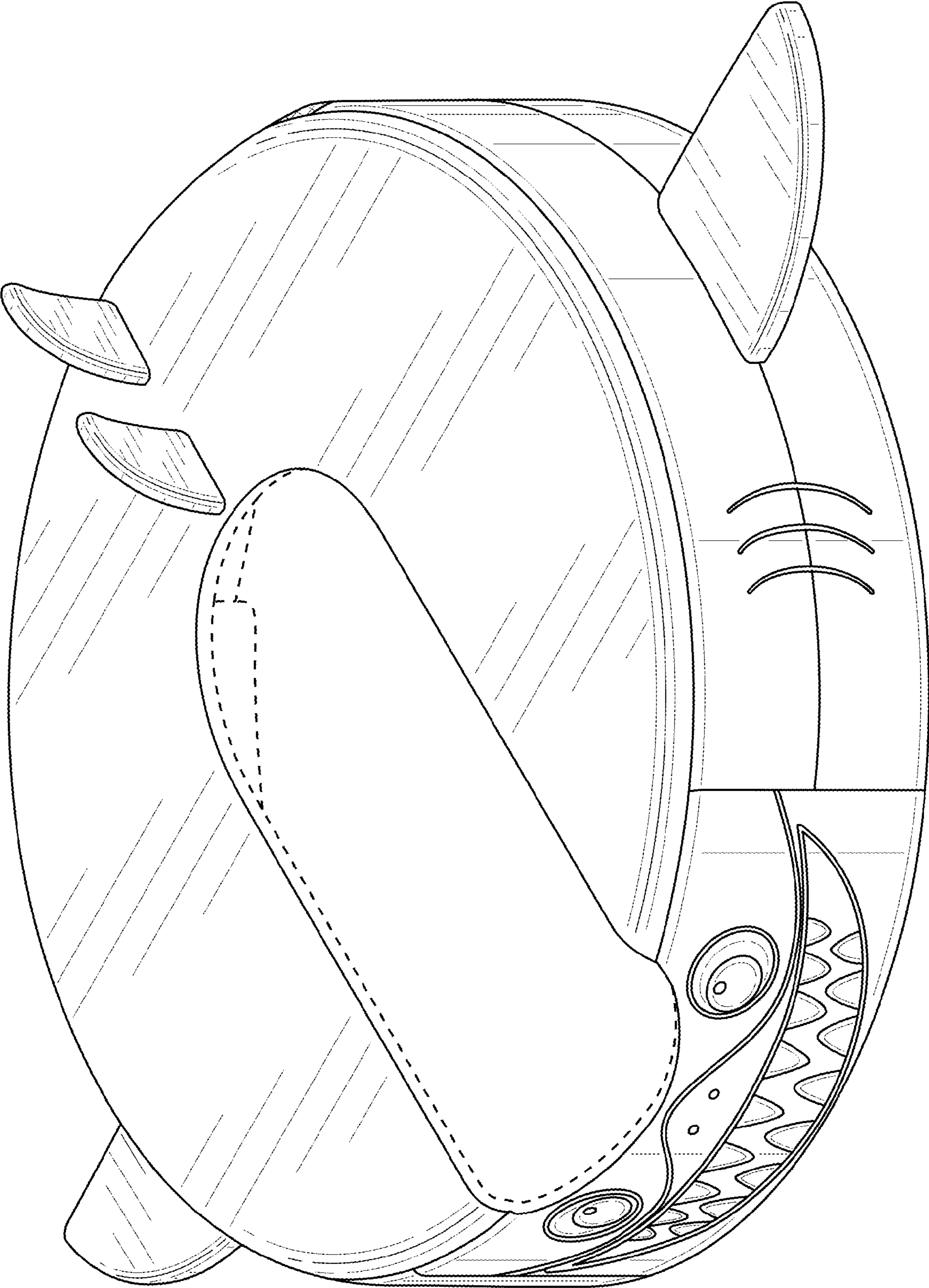


FIG. 1

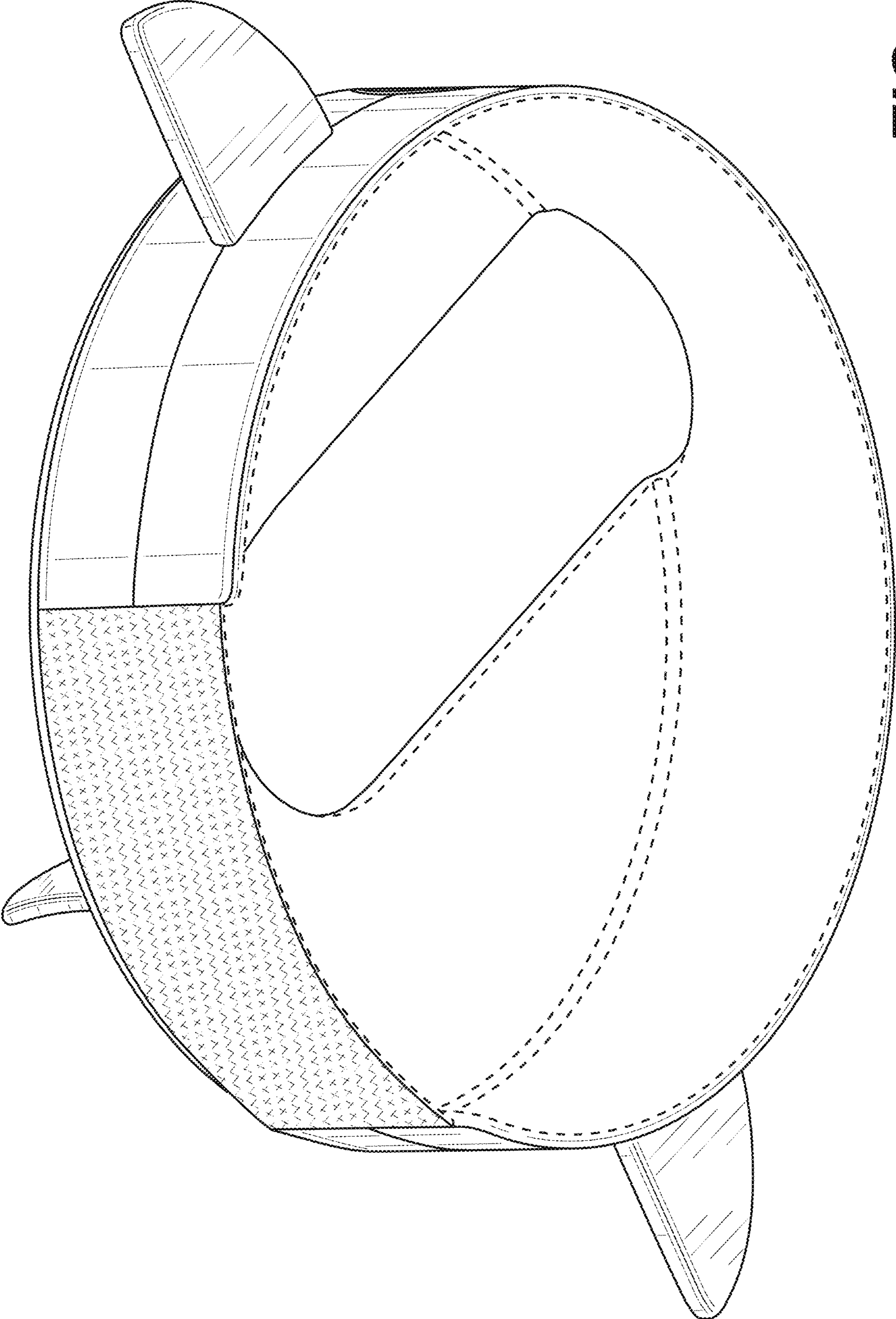


FIG. 2

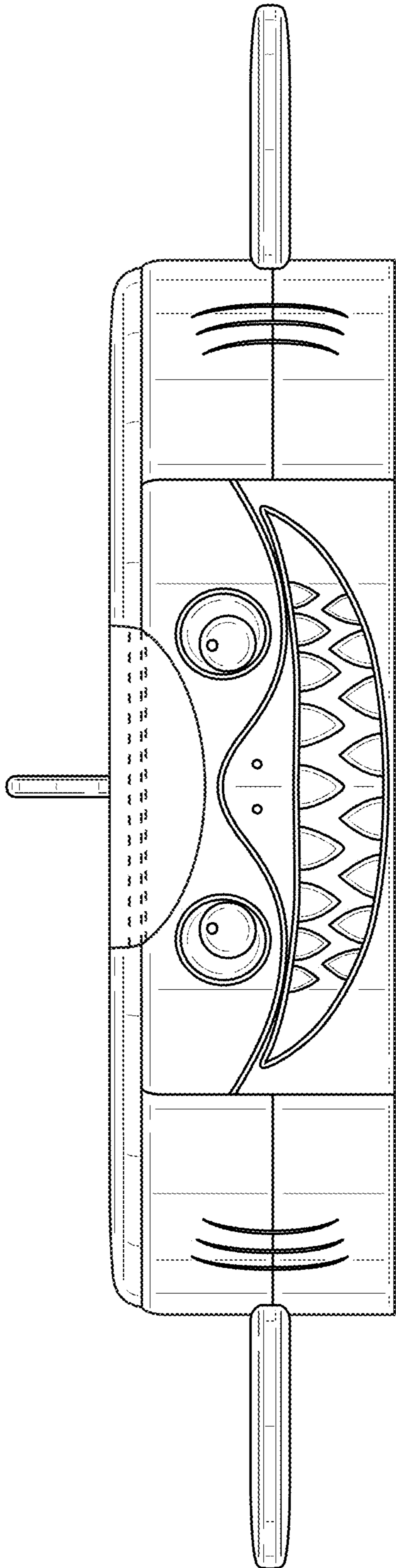


FIG. 3

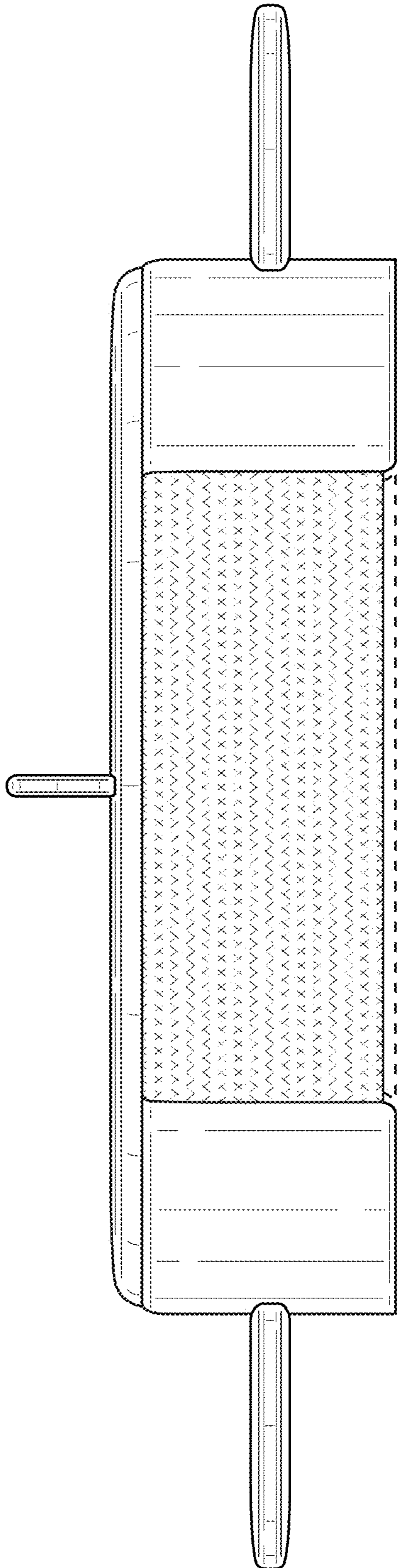


FIG. 4

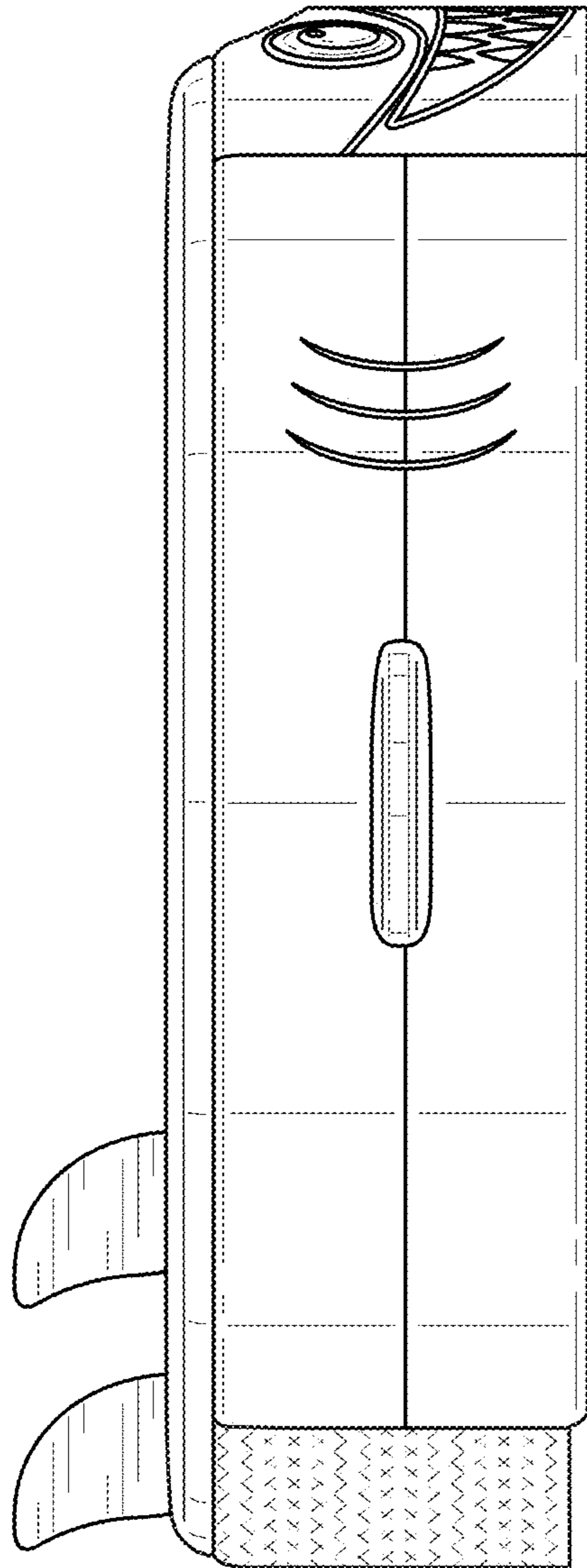


FIG. 5

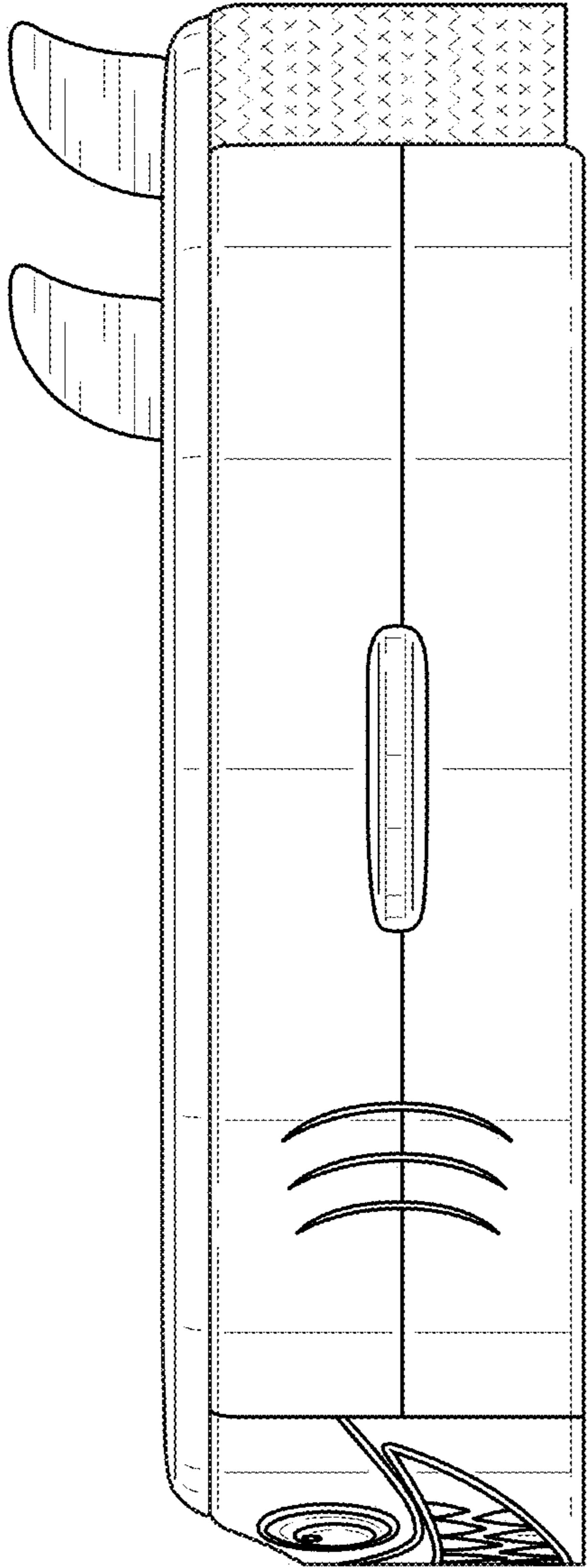


FIG. 6

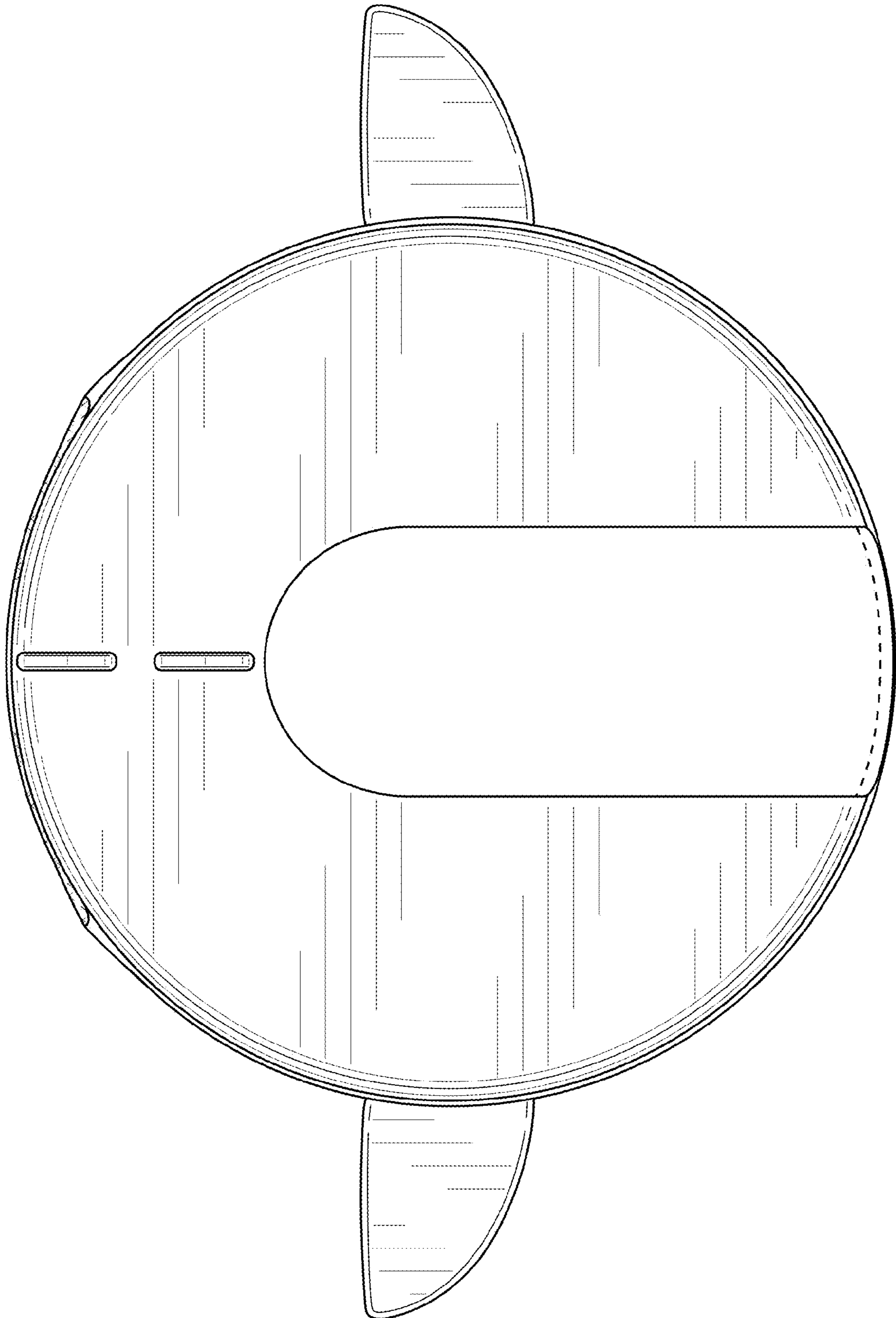


FIG. 7

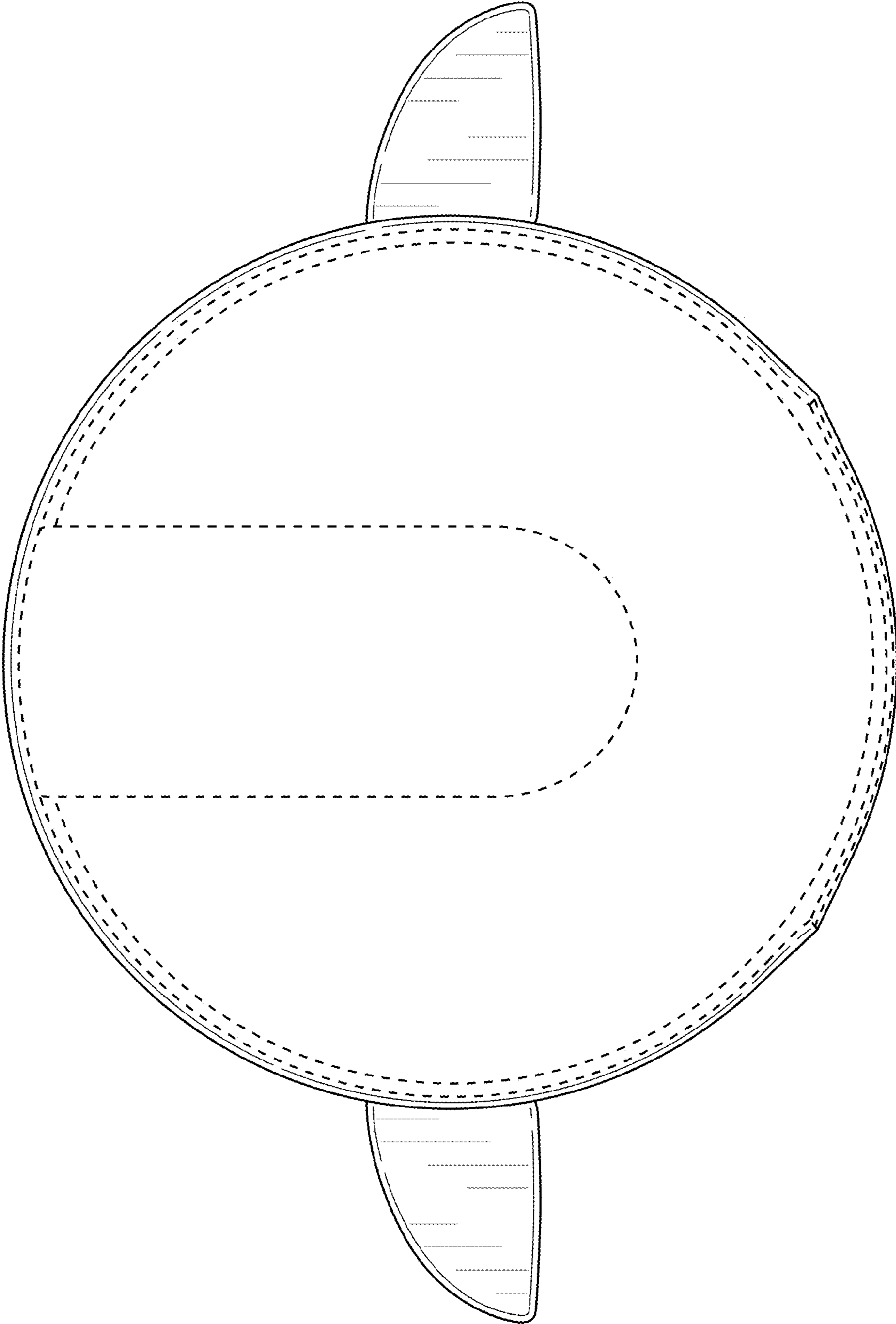


FIG. 8