



US00D974683S

(12) **United States Design Patent**
Maniff et al.

(10) **Patent No.:** **US D974,683 S**
(45) **Date of Patent:** **** Jan. 3, 2023**

(54) **REMOVABLE COVER FOR A ROBOTIC CLEANING DEVICE**

(71) Applicant: **Maniff Creations, Inc.**, Stevenson Ranch, CA (US)

(72) Inventors: **Jonathan Maniff**, Stevenson Ranch, CA (US); **Francesca Maniff**, Stevenson Ranch, CA (US)

(73) Assignee: **Maniff Creations, Inc.**, Leesburg, VA (US)

(**) Term: **15 Years**

(21) Appl. No.: **29/771,001**

(22) Filed: **Feb. 18, 2021**

(51) **LOC (14) Cl.** **15-05**

(52) **U.S. Cl.**
USPC **D32/25; D32/31**

(58) **Field of Classification Search**
USPC D32/15, 16, 19, 21, 25, 32; D3/216, 217
CPC ... A47L 9/009; A47L 9/14; A47L 9/28; A47L 11/40; A47L 7/0085; A47L 9/00; A47L 2201/00; A63H 3/003
See application file for complete search history.

(56) **References Cited**

U.S. PATENT DOCUMENTS

D256,602 S *	8/1980	Adelson	D21/616
D348,372 S *	7/1994	Keller	D6/601
D355,077 S *	2/1995	Tegner	D30/118
5,634,223 A *	6/1997	Obermaier	A47C 9/002 297/452.41
D386,034 S *	11/1997	Keller	D6/601
D387,234 S *	12/1997	Keller	D6/601
D397,900 S *	9/1998	Besen	D21/611

(Continued)

OTHER PUBLICATIONS

Small business in Ashburn turns robotic vacuums into adorable companions (on-line), dated Jan. 15, 2021. Retrieved from Internet Jun. 8, 2022, URL: <https://www.localdvm.com/news/local-news/virginia/small-business-in-ashburn-va-turns-robotic-vacuums-into-adorable-companions/> (4 pages) (Year: 2021).*

(Continued)

Primary Examiner — Kimberly Barnes

(74) *Attorney, Agent, or Firm* — James E. Schutz; Korbin M. Blunck

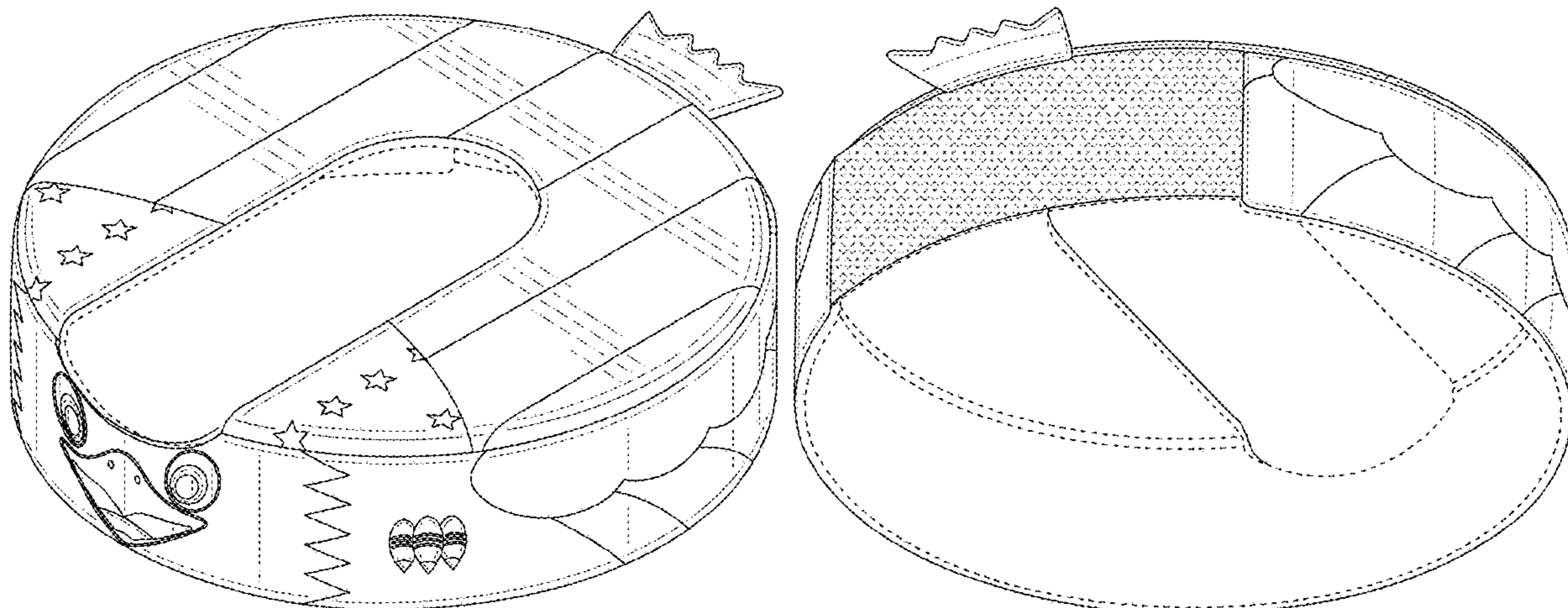
(57) **CLAIM**

We claim the ornamental design for a removable cover for a robotic cleaning device, as shown and described.

DESCRIPTION

FIG. 1 is an upper perspective view of a removable cover for a robotic cleaning device showing our new design; FIG. 2 is a lower perspective view of the design shown in FIG. 1; FIG. 3 is a front plan view of the design shown in FIG. 1; FIG. 4 is a rear plan view of the design shown in FIG. 1; FIG. 5 is a left side plan view of the design shown in FIG. 1; FIG. 6 is a right side plan view of the design shown in FIG. 1; FIG. 7 is a top plan view of the design shown in FIG. 1; and, FIG. 8 is a bottom plan view of the design shown in FIG. 1. The broken lines shown represent portions of the removable cover for a robotic cleaning device that form no part of the claimed design. The shade lines shown represent surface shading and not surface ornamentation, color, or material type. The rear panel on the removable cover for a robotic cleaning device forms a part of the claimed design and the texture represents a contrast in material.

1 Claim, 8 Drawing Sheets



(56)

References Cited

U.S. PATENT DOCUMENTS

D410,167	S	*	5/1999	Bear	D21/654
D555,740	S	*	11/2007	Johnson	D11/158
D589,683	S	*	4/2009	Knab	D2/869
D592,381	S	*	5/2009	Knab	D2/869
D622,911	S	*	8/2010	Full	D30/118
8,321,978	B1	*	12/2012	Fulton	A63H 3/003 5/639
D793,104	S	*	8/2017	George, II	D6/351
D940,975	S	*	1/2022	Maniff	D32/25
D940,976	S	*	1/2022	Maniff	D32/25
D940,977	S	*	1/2022	Maniff	D32/25
D943,852	S	*	2/2022	Maniff	D32/25
2002/0023917	A1	*	2/2002	Hall-Grace	H05B 3/34 219/528
2016/0236103	A1	*	8/2016	Pettrey, III	A63H 3/02

OTHER PUBLICATIONS

Edward the Eagle—Robo Rascals Roomba Covers (on-line), dated Jun. 20, 2021. Retrieved from Internet Jun. 10, 2022, URL: <https://web.archive.org/web/20210620013440/https://www.roborascals.com/shop/roomba-covers/edward-the-eagle/> (2 pages) (Year: 2021).*

* cited by examiner

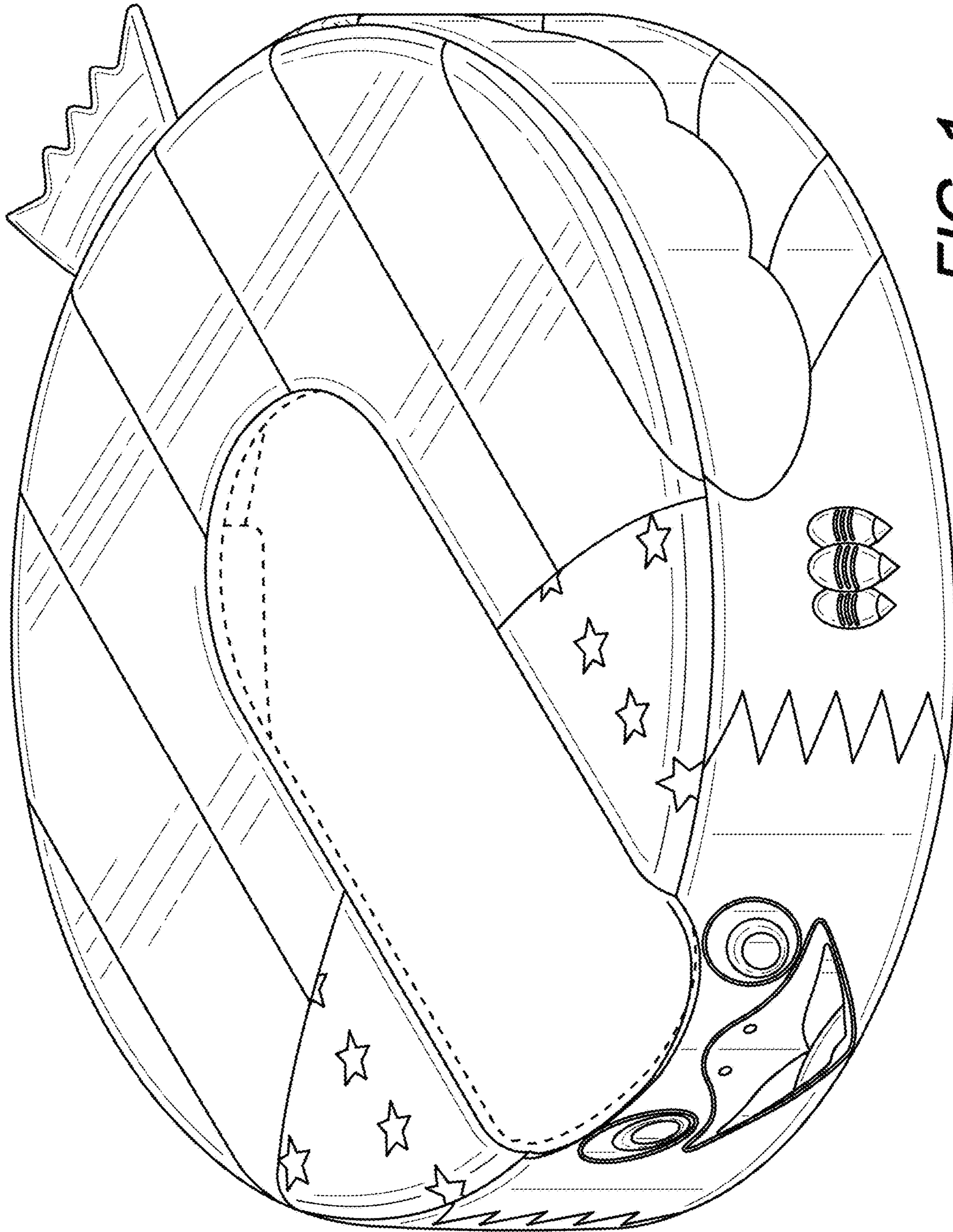


FIG. 1

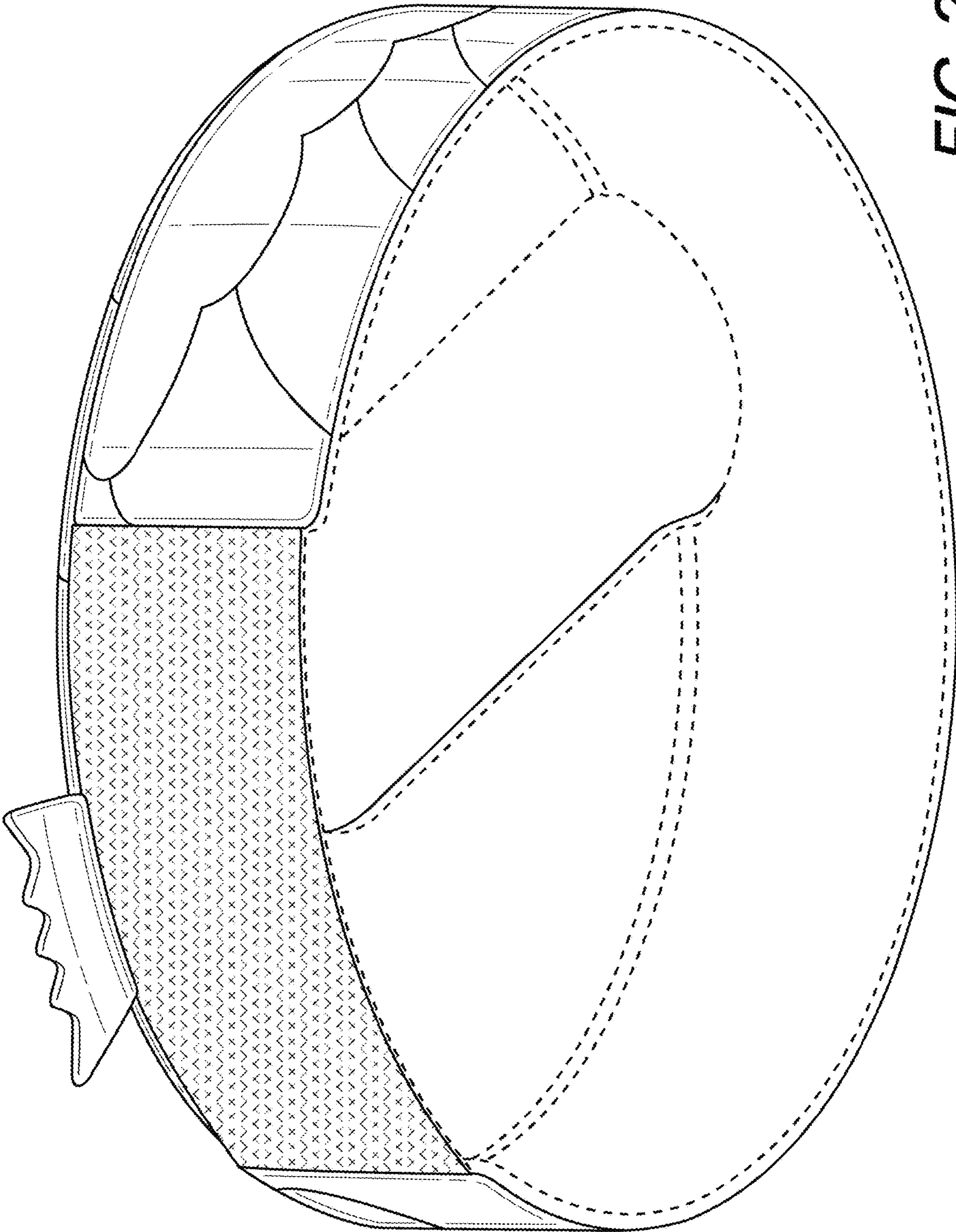


FIG. 2

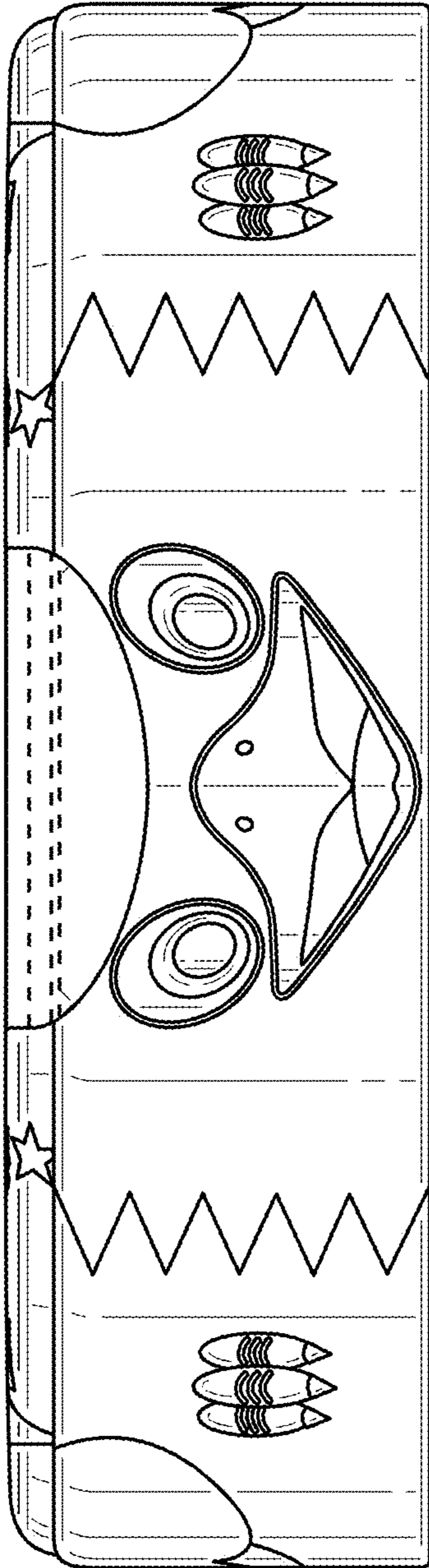


FIG. 3

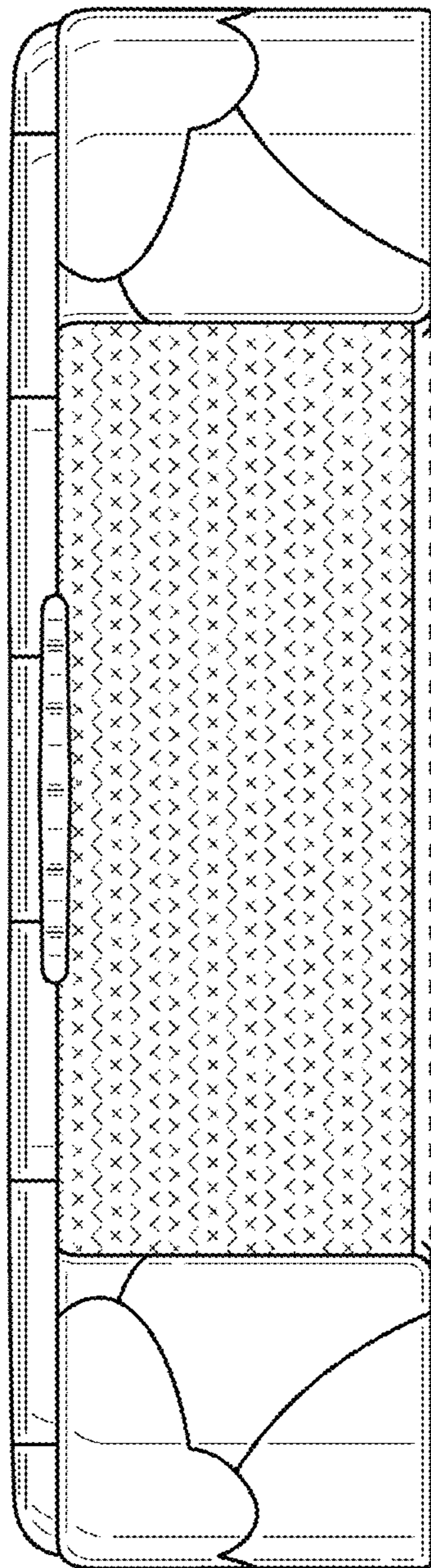


FIG. 4

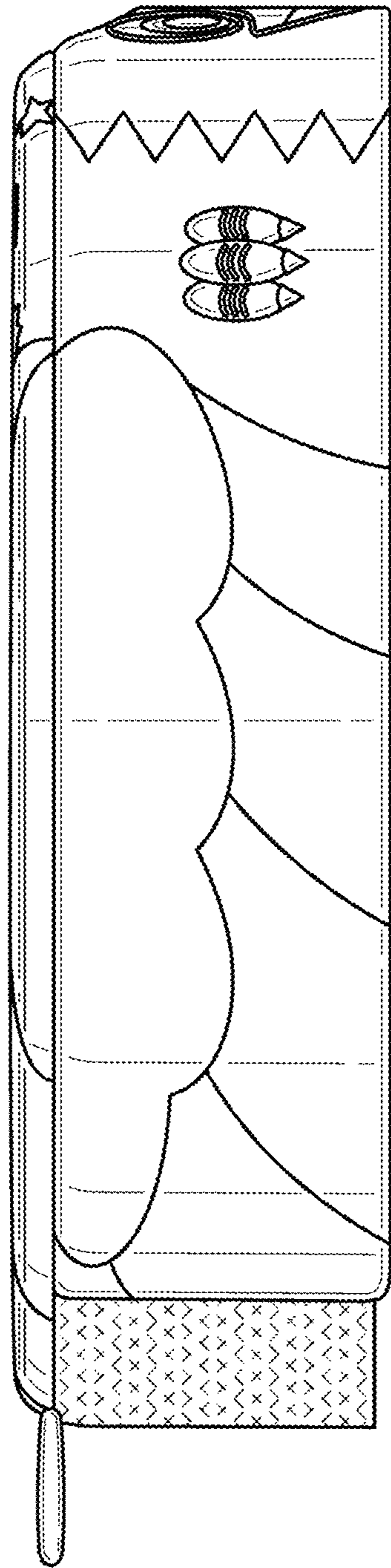


FIG. 5

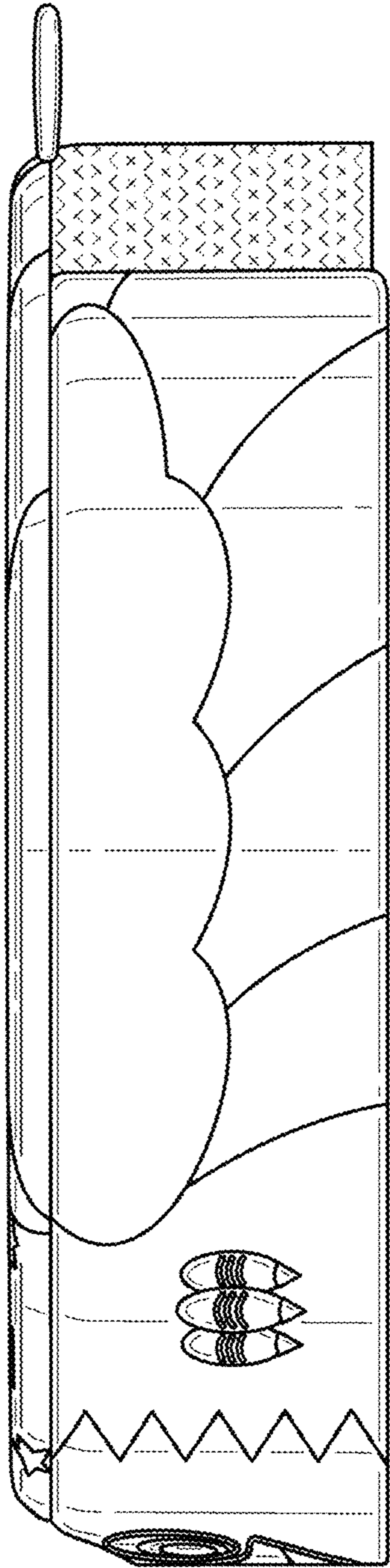


FIG. 6

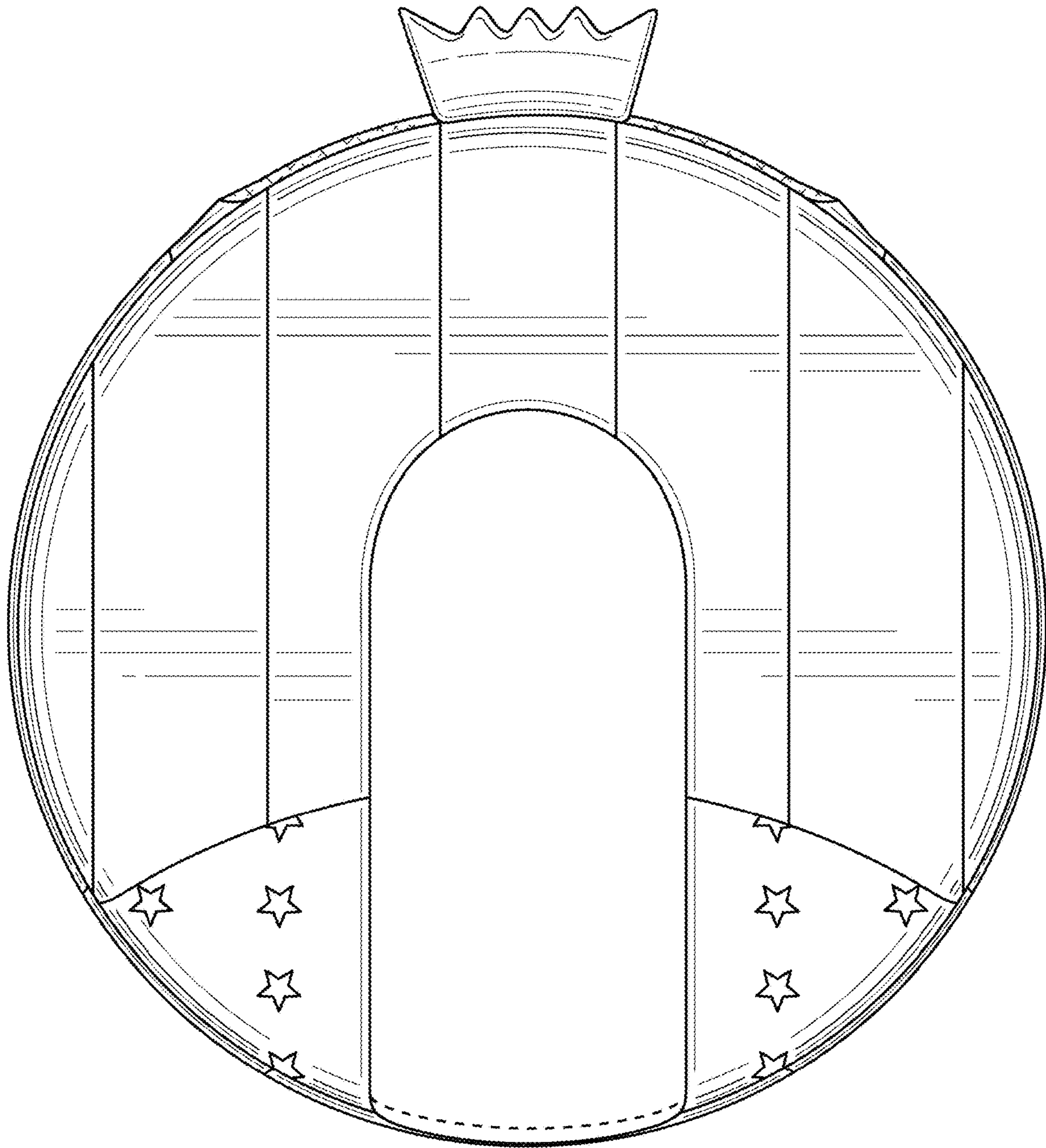


FIG. 7

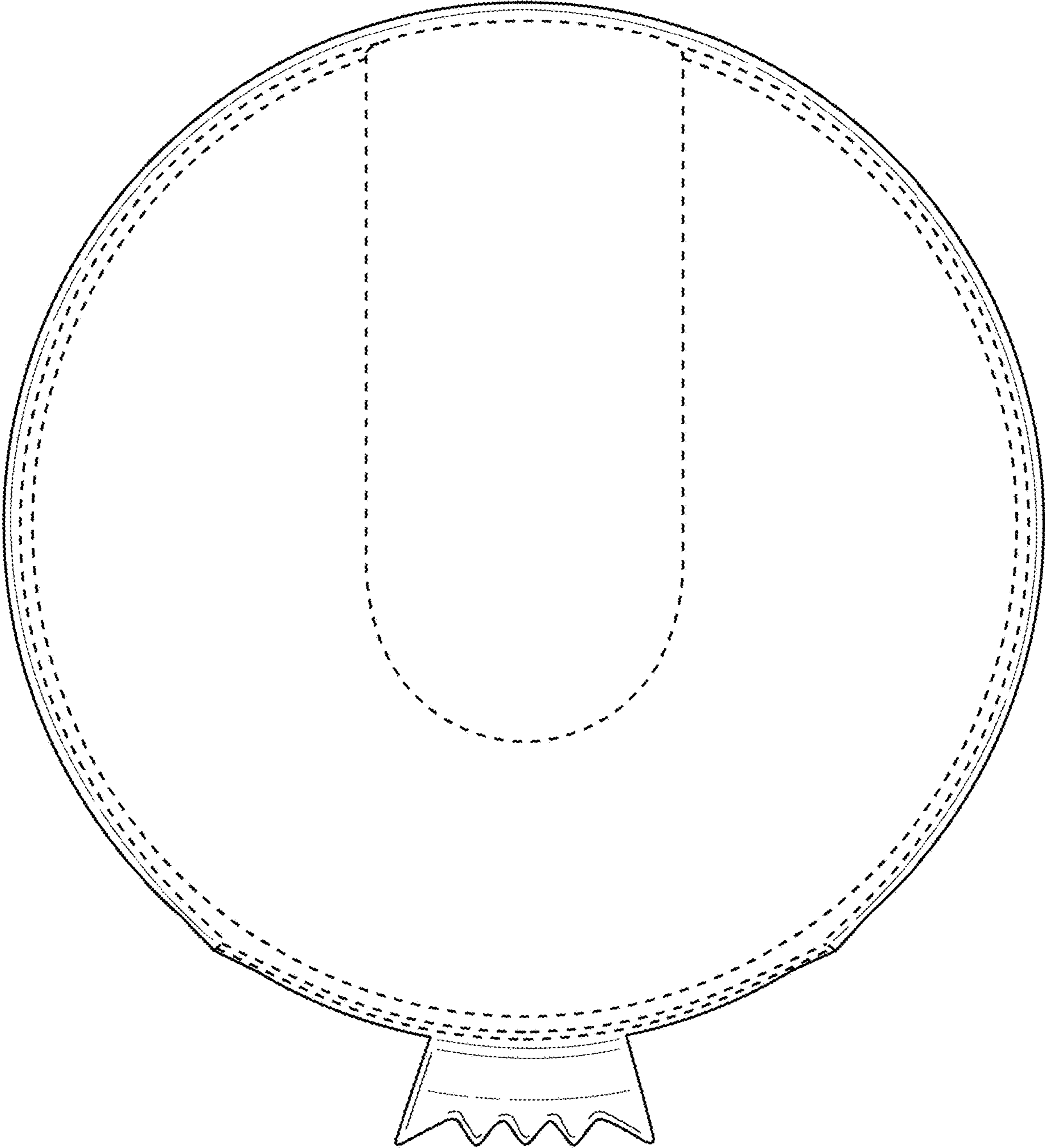


FIG. 8