



US00D974681S

(12) **United States Design Patent**
Bagwell

(10) **Patent No.:** **US D974,681 S**
(45) **Date of Patent:** **** Jan. 3, 2023**

(54) **VACUUM CLEANER**

B01D 2279/55; B04C 5/08; B04C 5/18;
B04C

(71) Applicant: **Infinite Appliances Ltd**, Warwickshire
(GB)

(Continued)

(72) Inventor: **Martin Paul Bagwell**, Warwickshire
(GB)

(56) **References Cited**

U.S. PATENT DOCUMENTS

D117,775 S * 11/1939 Martinet D32/24
D127,612 S * 6/1941 Guild D32/24

(Continued)

(73) Assignee: **Infinite Appliances Ltd**

FOREIGN PATENT DOCUMENTS

(**) Term: **15 Years**

CN 305965806 * 8/2020
EM 005245123-0001 * 4/2018

(21) Appl. No.: **29/723,376**

(22) Filed: **Feb. 6, 2020**

OTHER PUBLICATIONS

YISUN Car Vacuum Cleaner Cordless, available in Amazon.ca, date first available date Nov. 29, 2020 [online], [site visited date Jun. 2, 2021], Available from the internet URL: https://www.amazon.ca/dp/B08NX39TL1/ref=cm_sw_em_r_mt_imm_awdb_G6FSDQE0E9ZD5Q9E2J25?_encoding=UTF8&psc=1 (Year: 2020).*

(Continued)

Related U.S. Application Data

(63) Continuation-in-part of application No. 29/667,437, filed on Oct. 22, 2018, now abandoned.

Primary Examiner — Shannon W Morgan

Assistant Examiner — Jennylou M Binas

(74) *Attorney, Agent, or Firm* — Keusey & Associates, P.C.

(30) **Foreign Application Priority Data**

Apr. 23, 2018 (EM) 005245123-0001

(51) **LOC (14) Cl.** **15-05**

(52) **U.S. Cl.**

USPC **D32/18**; D32/23; D32/24

(58) **Field of Classification Search**

USPC D32/17, 18, 19, 21, 22, 23, 31, 24;
D7/509, 511, 590, 608; D8/70; D9/516,
D9/537, 564, 711; D14/213, 214, 215,
D14/216; D23/202, 205

CPC ... A47L 5/24; A47L 5/365; A47L 5/38; A47L
7/0023; A47L 7/0047; A47L 7/0052;
A47L 7/009; A47L 9/0036; A47L 9/0673;
A47L 9/127; A47L 9/1409; A47L 9/1683;
A47L 9/1666; A47L 11/22; A47L 11/30;

(57) **CLAIM**

I claim the ornamental design for a vacuum cleaner, as shown and described.

DESCRIPTION

FIG. 1 is a top, front, left side perspective view of my new design of a vacuum cleaner.

FIG. 2 is a bottom, front, left side perspective view thereof.

FIG. 3 is a bottom, back, left side perspective view of the vacuum cleaner shown without environmental structure.

FIG. 4 is a top, back, left side perspective view thereof.

FIG. 5 is a top plan view thereof.

(Continued)

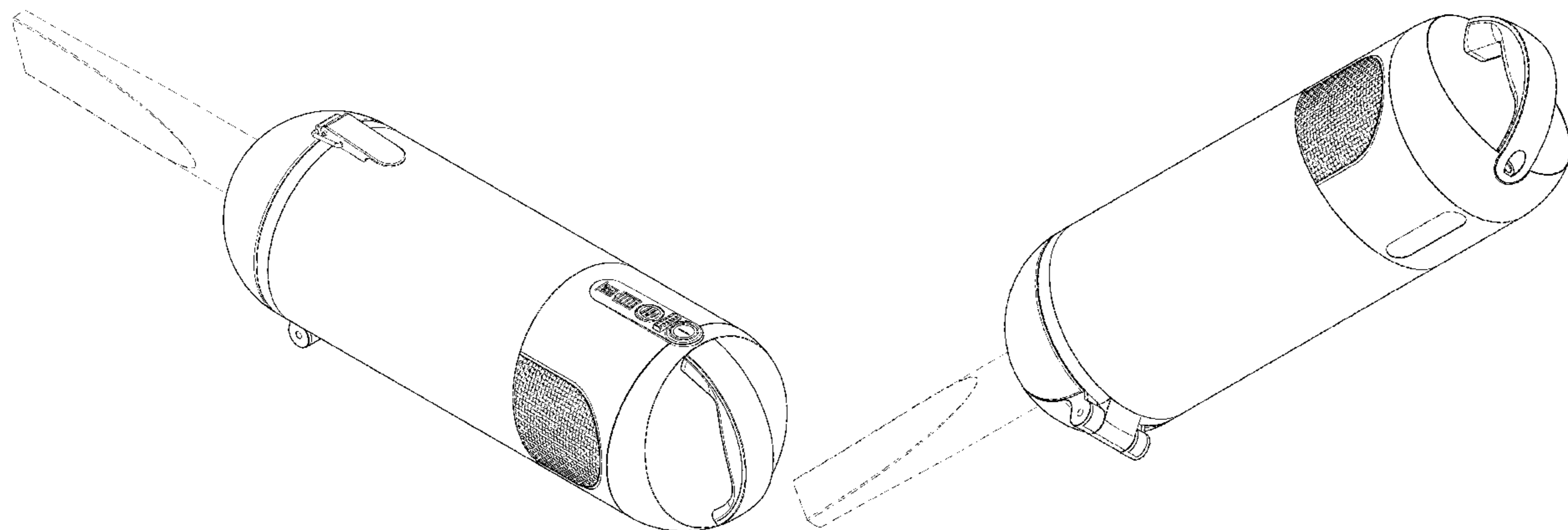


FIG. 6 is a left side elevational view thereof, the right side elevational view being a mirror image thereof; and, FIG. 7 is front elevational view thereof. The broken lines in FIGS. 1 and 2 show portions of the vacuum cleaner that form no part of the claimed design.

1 Claim, 7 Drawing Sheets

(58) Field of Classification Search

CPC 2009/004; B23Q 11/0046; B23Q 11/0071; Y10S 55/03; E04H 4/1636
See application file for complete search history.

(56) References Cited

U.S. PATENT DOCUMENTS

D132,697 S * 6/1942 Frantz D32/24
2,307,538 A * 1/1943 Paulus A47L 9/22
248/634
2,337,364 A * 12/1943 Ashbaugh A47L 5/362
15/323
D149,477 S * 5/1948 Dreyfuss D32/24
D149,479 S * 5/1948 Dreyfuss D32/24
D150,177 S * 7/1948 Vose
D153,271 S * 4/1949 Ernof D32/24
D158,134 S * 4/1950 Schory D32/24
D158,441 S * 5/1950 Cherry D32/24
D176,422 S * 12/1955 Madl D32/18
2,848,731 A * 8/1958 Tamarin A47L 9/26
15/323
D214,083 S * 5/1969 Alligood, Jr. D32/21
D303,856 S * 10/1989 Yuen D32/18
5,329,778 A * 7/1994 Padamsee A47J 41/0044
215/13.1
D429,118 S * 8/2000 Hurlbut D7/608
D438,376 S * 3/2001 Marshall D3/257
D527,502 S * 8/2006 Yoshimoto D32/18

D528,576 S * 9/2006 Chung D16/202
D536,700 S * 2/2007 Landau D14/480.5
D571,063 S * 6/2008 Brown
7,404,230 B1 7/2008 Phillips
D611,355 S * 3/2010 Kim D9/540
D661,192 S * 6/2012 Hwang D9/504
D675,100 S * 1/2013 Herbst D9/504
D728,649 S * 5/2015 Hassan D15/144
D736,563 S * 8/2015 George D7/510
D749,281 S * 2/2016 Jeon
9,992,575 B2 * 6/2018 Wang H04R 31/006
D838,141 S * 1/2019 Bertsch D7/510
D855,908 S * 8/2019 Tu
D856,087 S * 8/2019 Adams, Jr. D7/523
D868,402 S * 11/2019 Luo D32/18
D871,844 S * 1/2020 Adams, Jr. D7/510
D899,719 S * 10/2020 Liu D32/21
D900,765 S * 11/2020 Yi D14/216
D905,012 S * 12/2020 Lee D14/216
D907,962 S * 1/2021 Kim D7/523
D925,847 S * 7/2021 Xia D32/18
D925,984 S * 7/2021 Gispert B65D 47/066
D7/509
D926,402 S * 7/2021 Luo D32/23
D926,403 S * 7/2021 Luo D32/23
D943,356 S * 2/2022 Lyu D7/608
D959,072 S * 7/2022 He D32/18
2011/0192286 A1 8/2011 Lee
2021/0007563 A1 * 1/2021 Bagwell A47L 9/2884

OTHER PUBLICATIONS

UGREEN Portable Car Vacuum Cleaner, available in Amazon.ca, date first available date Feb. 23, 2021 [online], [site visited date Jun. 2, 2021], Available from the internet URL: [https://www.amazon.ca/UGREEN-Portable-85W%EF%BC%8CStrong-Rechargeable-Cleaning%EF%BC%8CHouse/dp/B08GSFF939/ref=pd_rhf_se_p_img_1? \(Year: 2021\).*](https://www.amazon.ca/UGREEN-Portable-85W%EF%BC%8CStrong-Rechargeable-Cleaning%EF%BC%8CHouse/dp/B08GSFF939/ref=pd_rhf_se_p_img_1? (Year: 2021).*)

* cited by examiner

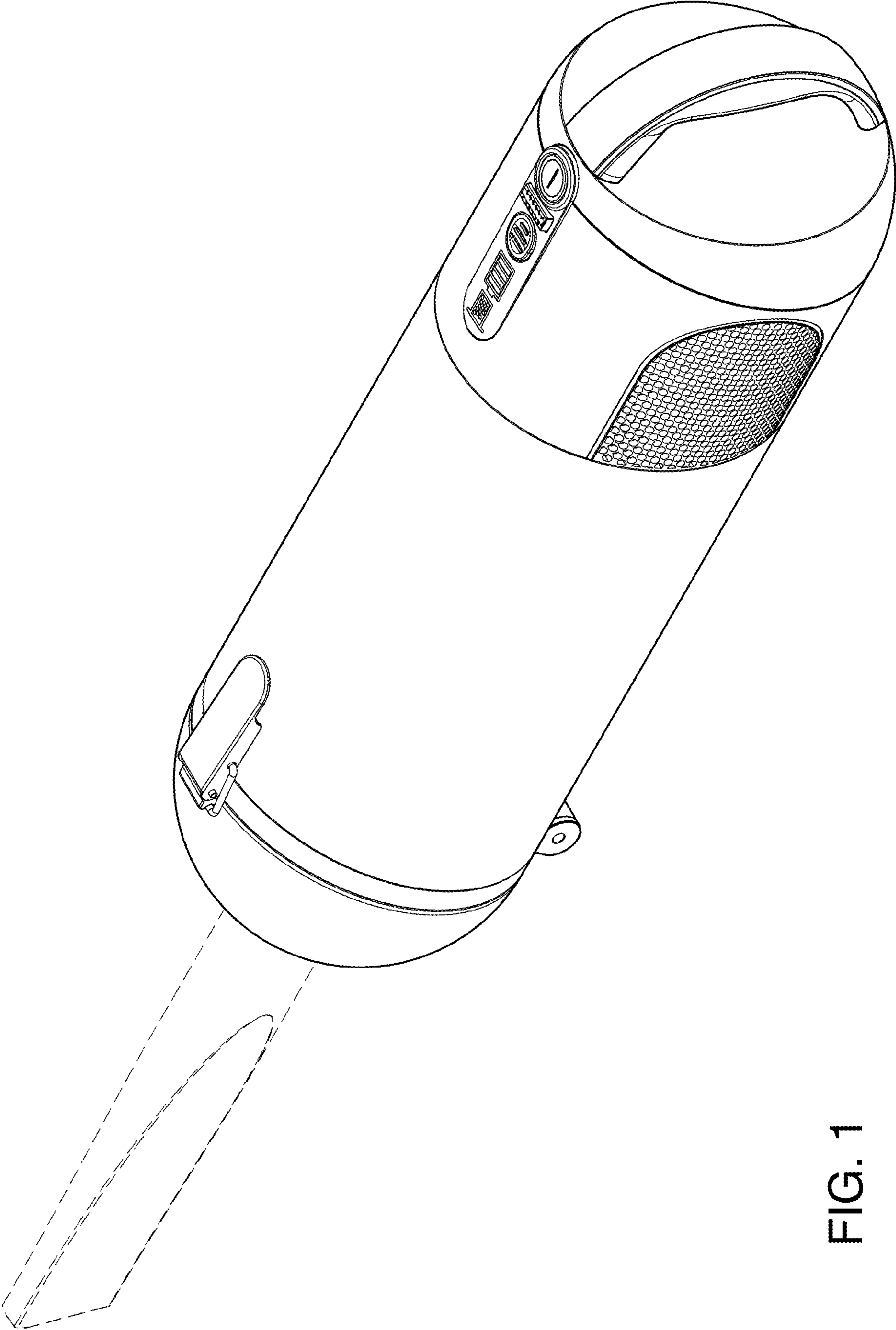


FIG. 1

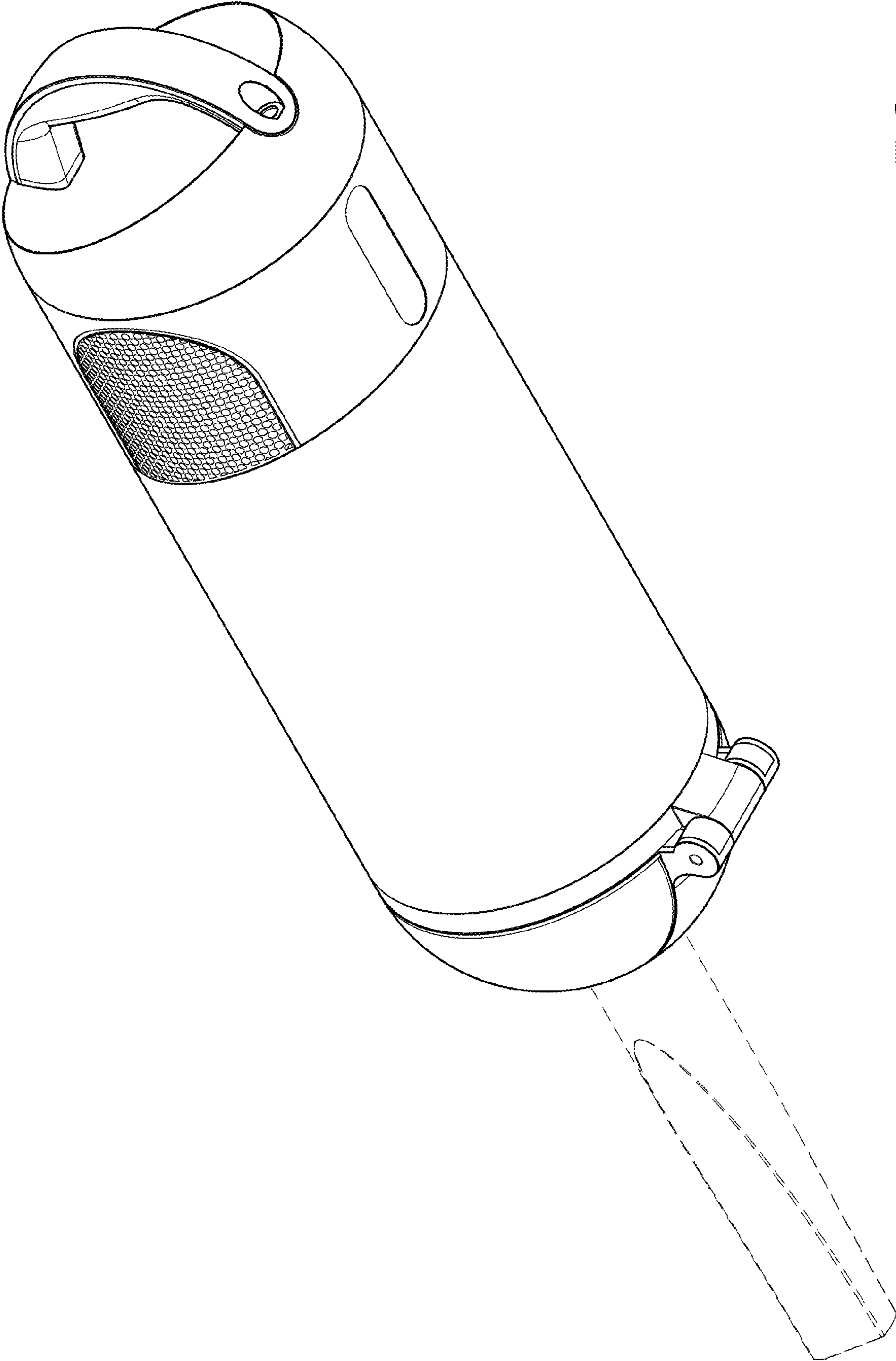


FIG. 2

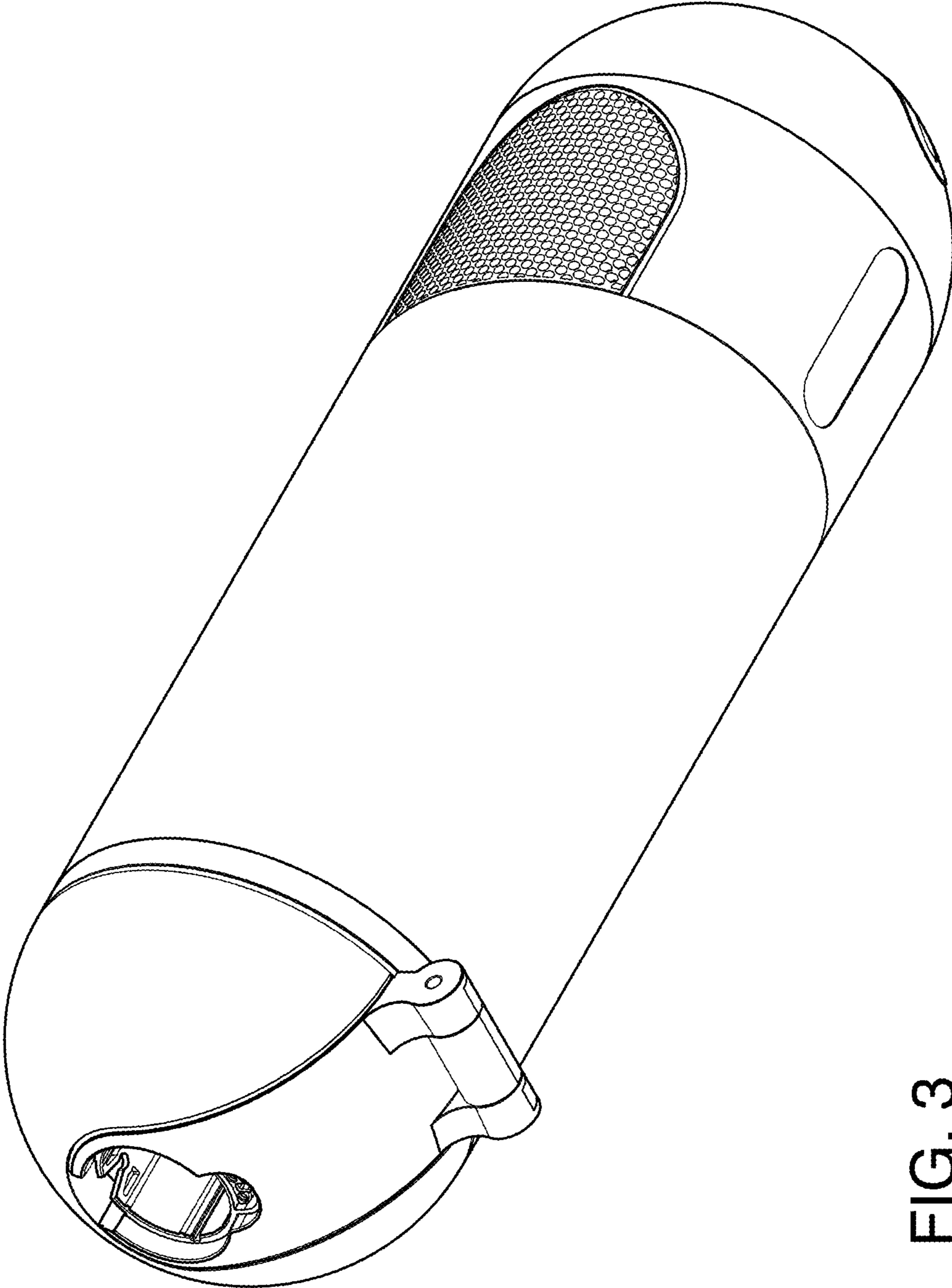


FIG. 3

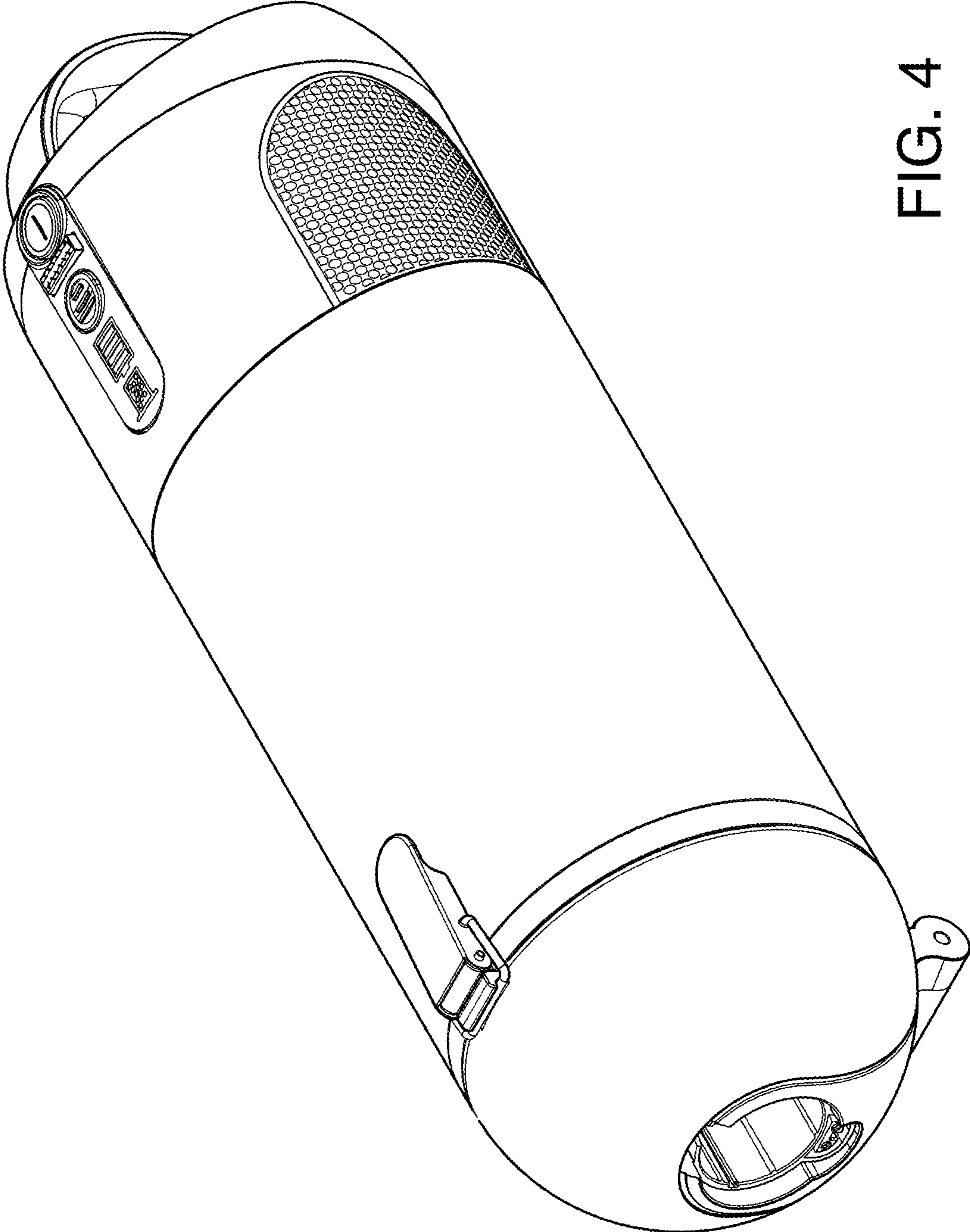


FIG. 4

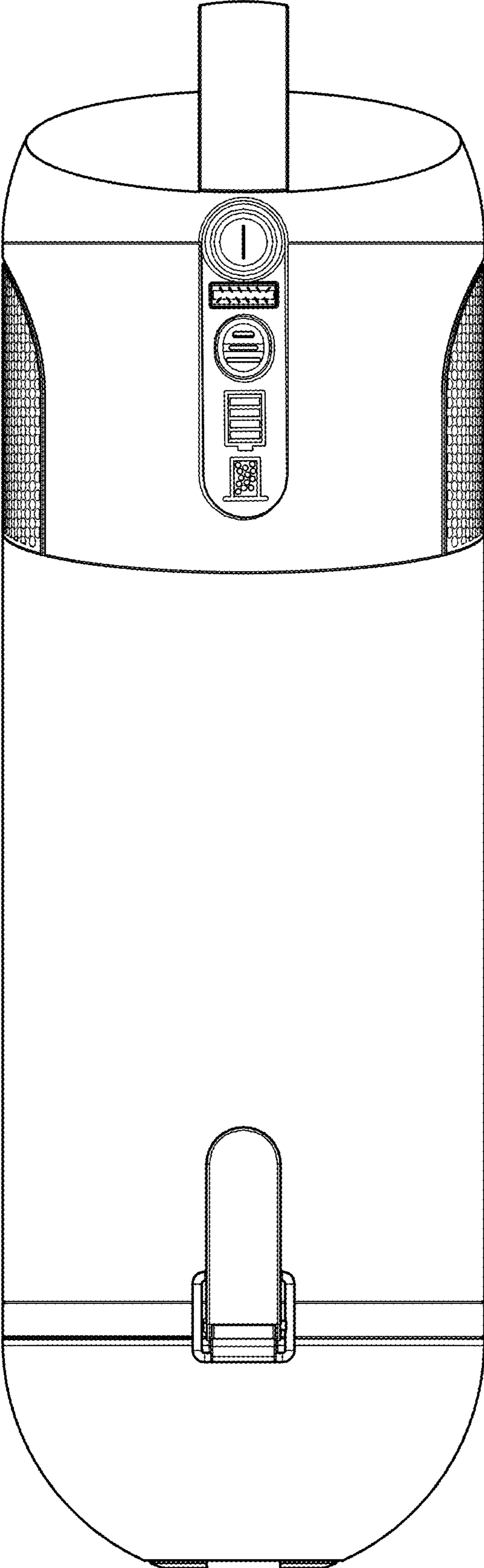


FIG. 5

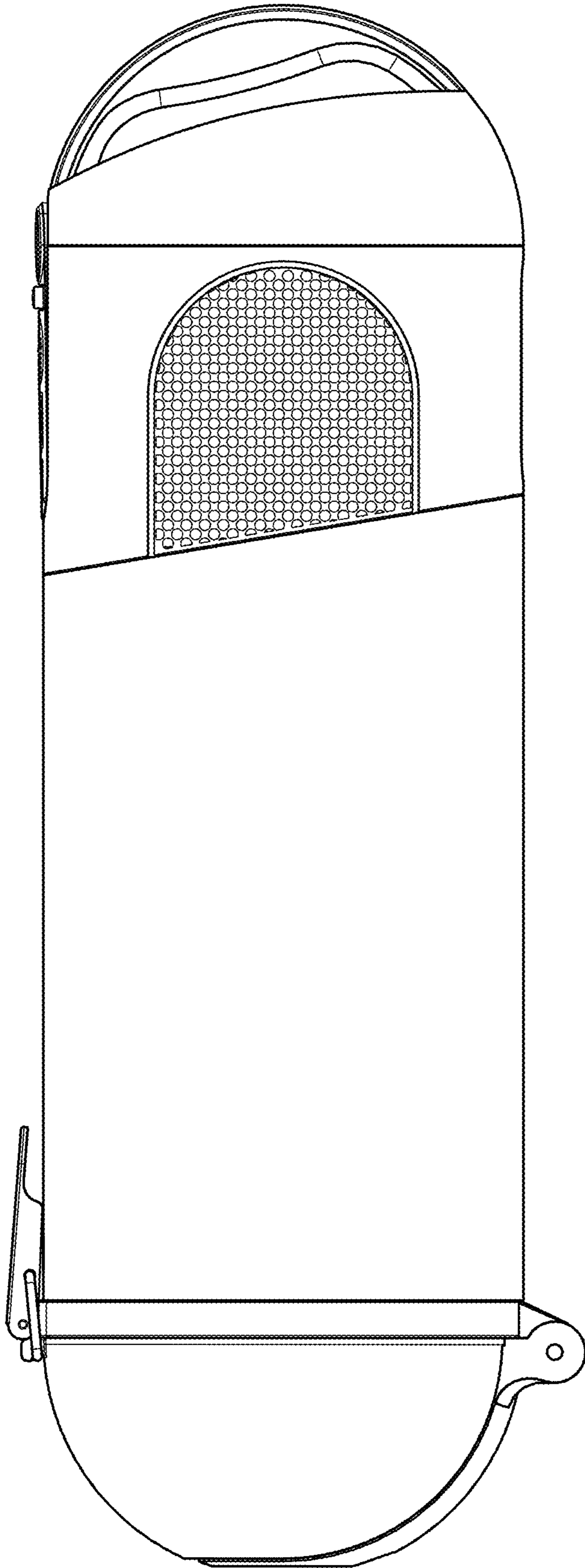


FIG. 6

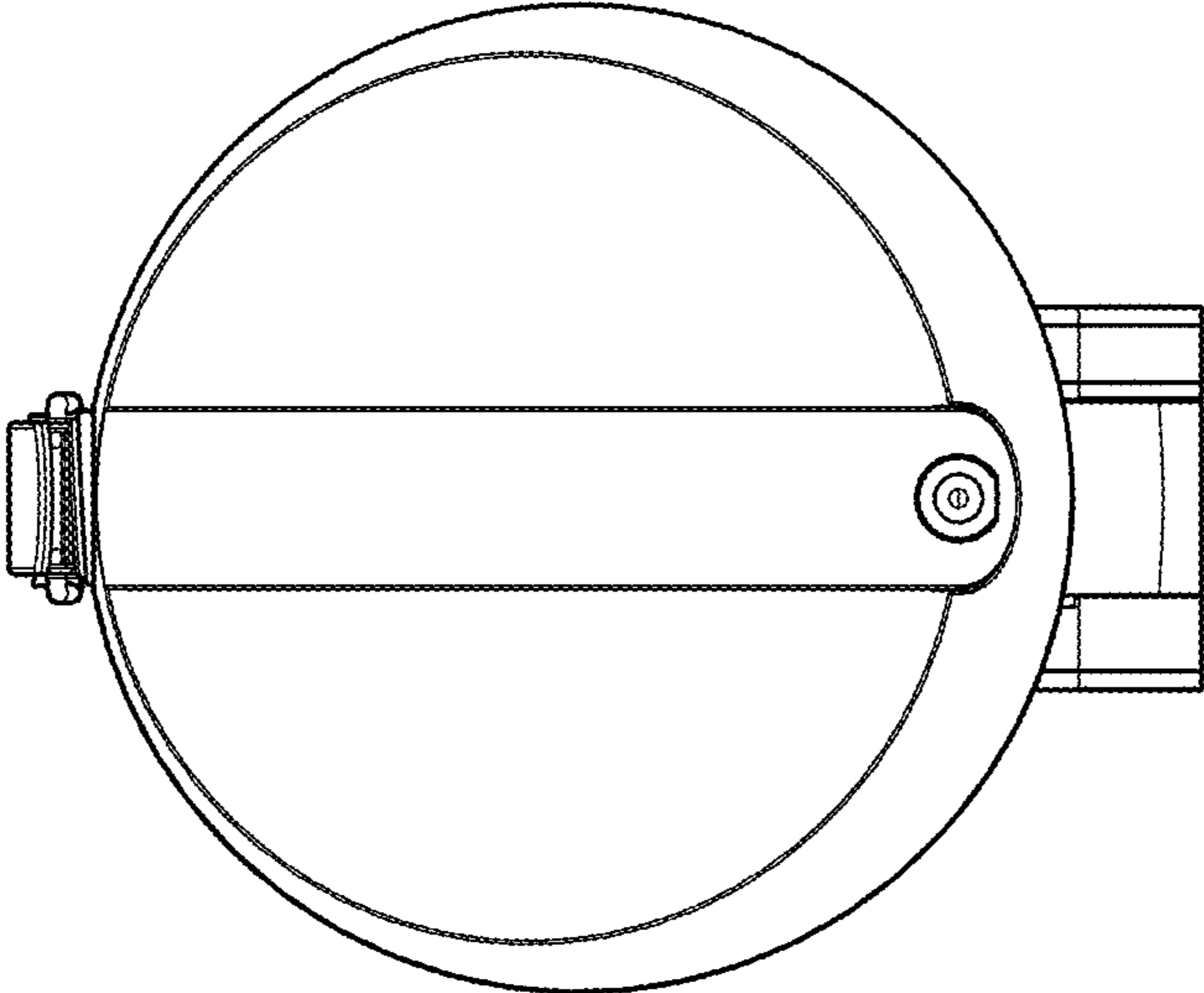


FIG. 7