



US00D974679S

(12) **United States Design Patent**
Chen

(10) **Patent No.:** **US D974,679 S**

(45) **Date of Patent:** **** Jan. 3, 2023**

(54) **CLEANING MACHINE**

OTHER PUBLICATIONS

(71) Applicant: **Zhejiang Weibin 3D Technology Co., Ltd.**, Hangzhou (CN)

Kingkar DPF Cleaning machine operation video, announced in YouTube on May 28, 2020 [online], [site visited Apr. 20, 2022], Available from the internet URL: <https://www.youtube.com/watch?v=E7korg0q6IU> (Year: 2020).*

(72) Inventor: **Liang Chen**, Hangzhou (CN)

Exodus workstation, available in <https://www.nature.com/>, announced Jan. 11, 2021 [online], [site visited Apr. 20, 2022], Internet URL: <https://www.nature.com/articles/s41592-020-01034-x/figures/1> (Year: 2021).*

(**) Term: **15 Years**

(21) Appl. No.: **29/718,497**

* cited by examiner

(22) Filed: **Dec. 25, 2019**

(51) **LOC (14) Cl.** **15-05**

Primary Examiner — Jennifer Rivard

(52) **U.S. Cl.**

Assistant Examiner — Jennylou M Binas

USPC **D32/1**

(74) *Attorney, Agent, or Firm* — Rumit Ranjit Kanakia

(58) **Field of Classification Search**

USPC D32/1, 5, 15, 21; D10/91; D15/199

CPC .. B08B 3/12; B08B 5/00; B08B 7/005; B08B

7/026; B08B 7/0057; B08B 2209/005

See application file for complete search history.

(57) **CLAIM**

The ornamental design for a cleaning machine, as shown and described.

(56) **References Cited**

DESCRIPTION

U.S. PATENT DOCUMENTS

2,989,756 A * 6/1961 Gaston A45D 27/22
4/627

D223,009 S * 2/1972 Garfinkle et al. D10/91

D242,330 S * 11/1976 Strickler et al. D10/91

D251,235 S * 3/1979 Joss D10/91

D260,973 S * 9/1981 Lawing D10/91

D339,538 S * 9/1993 Fellmann D10/91

D682,490 S * 5/2013 Goetzke D32/1

D683,503 S * 5/2013 Helm D32/1

D862,814 S * 10/2019 Chang D32/1

2020/0238348 A1 * 7/2020 Wang G06V 10/141

FIG. 1 is a first perspective view of a cleaning machine showing my new design;

FIG. 2 is a second perspective view thereof;

FIG. 3 is a front view thereof;

FIG. 4 is a back view thereof;

FIG. 5 is a left side view thereof;

FIG. 6 is a right side view thereof;

FIG. 7 is a top view thereof; and,

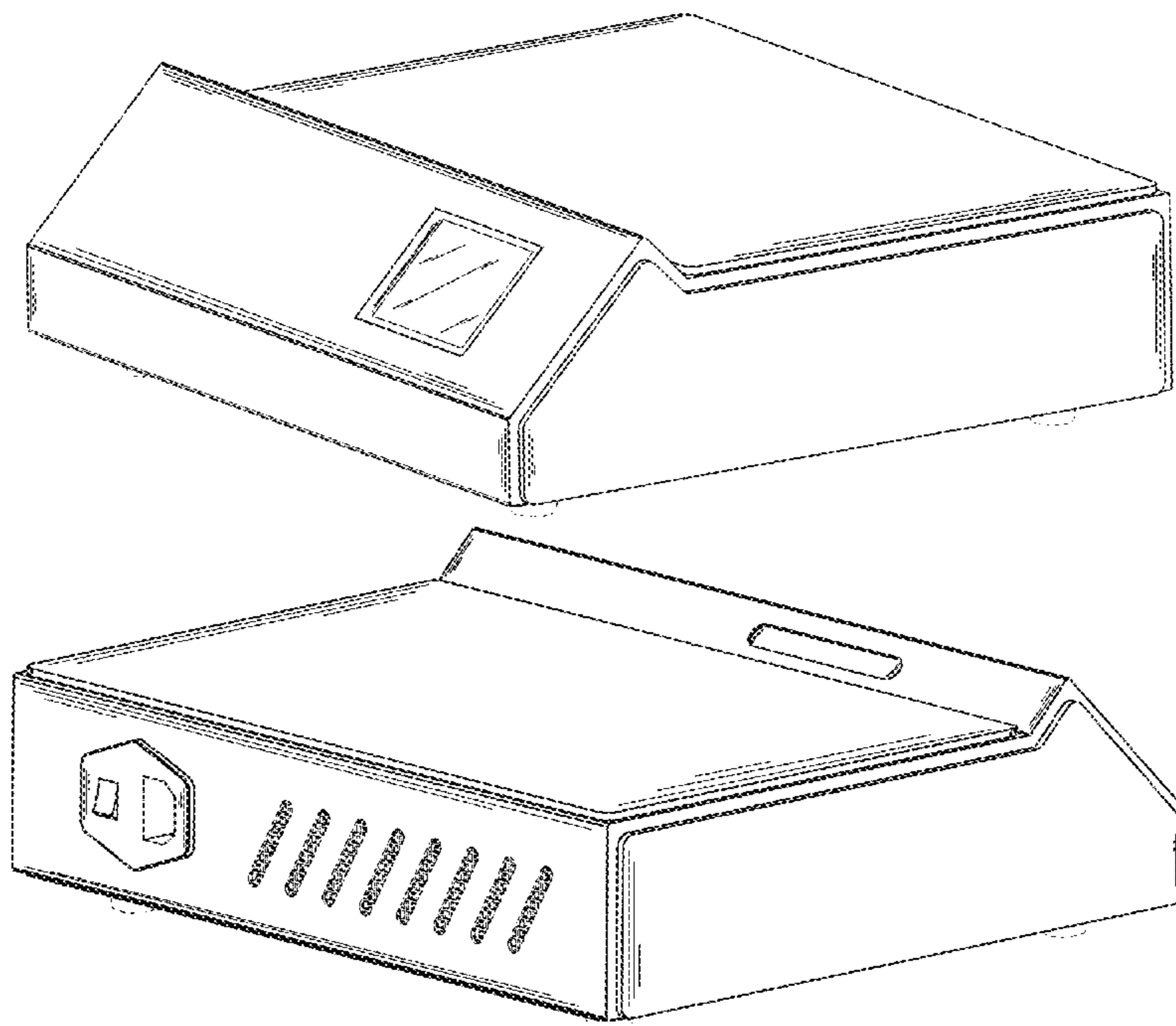
FIG. 8 is a bottom view thereof.

The broken lines shown in the drawings depict portions of the cleaning machine that form no part of the claimed design.

FOREIGN PATENT DOCUMENTS

CN 305956382 * 7/2020

1 Claim, 8 Drawing Sheets



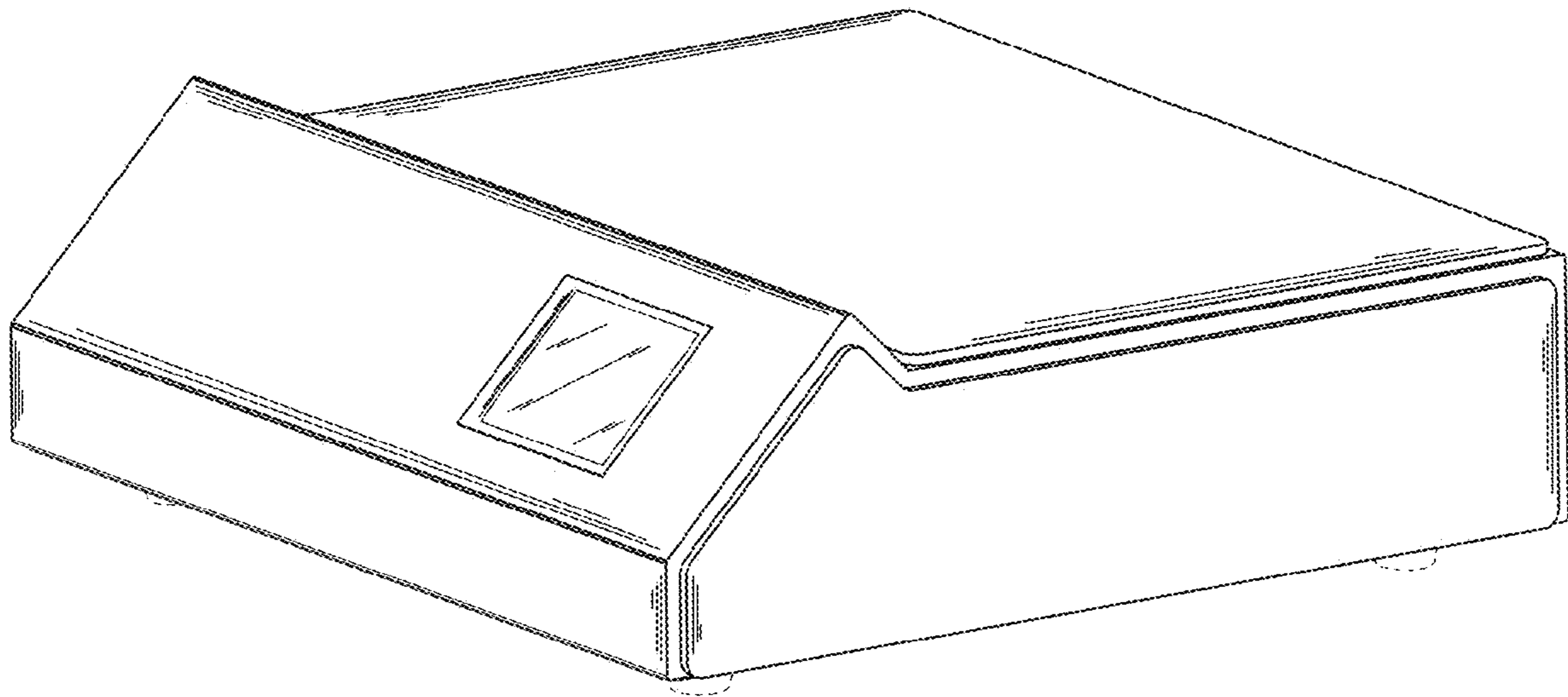


FIG. 1

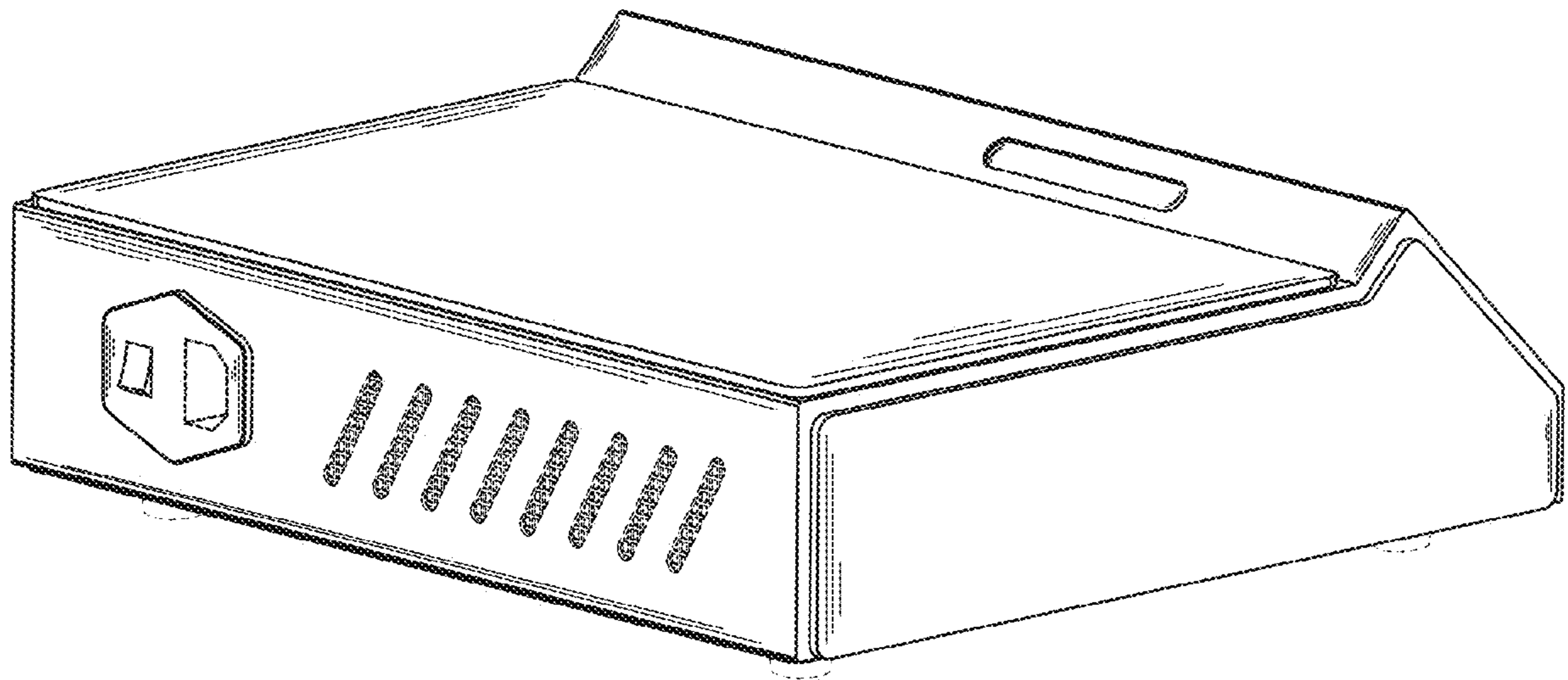


FIG. 2

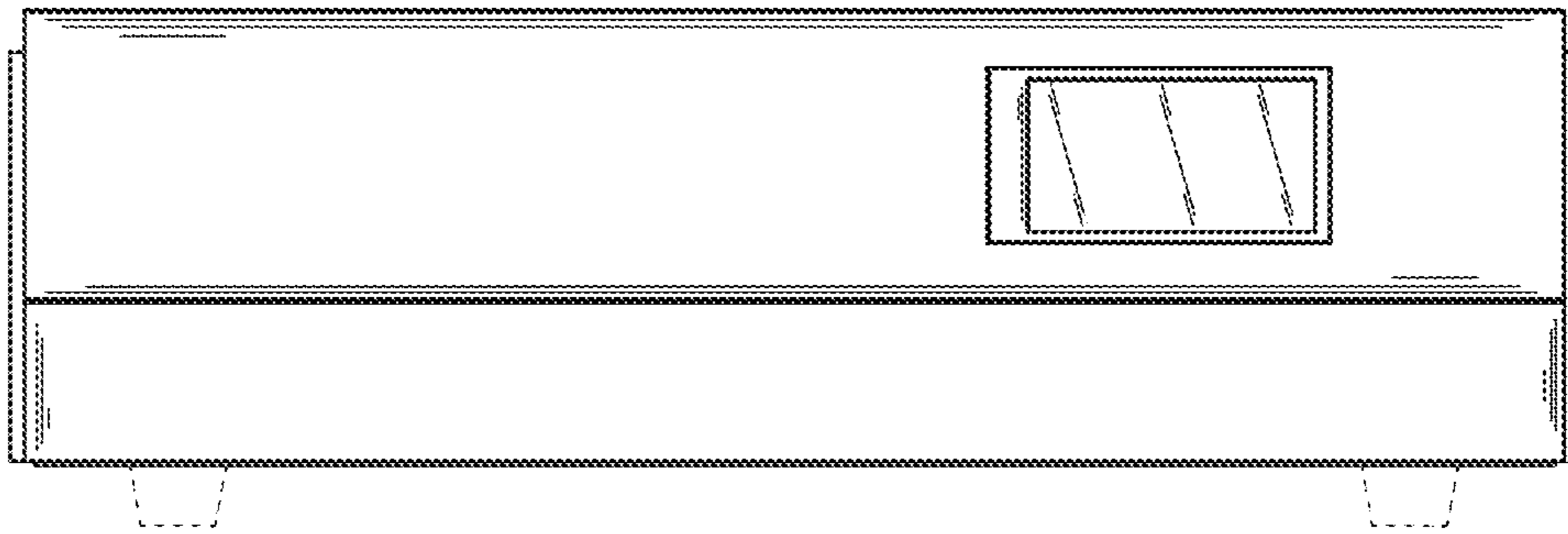


FIG. 3

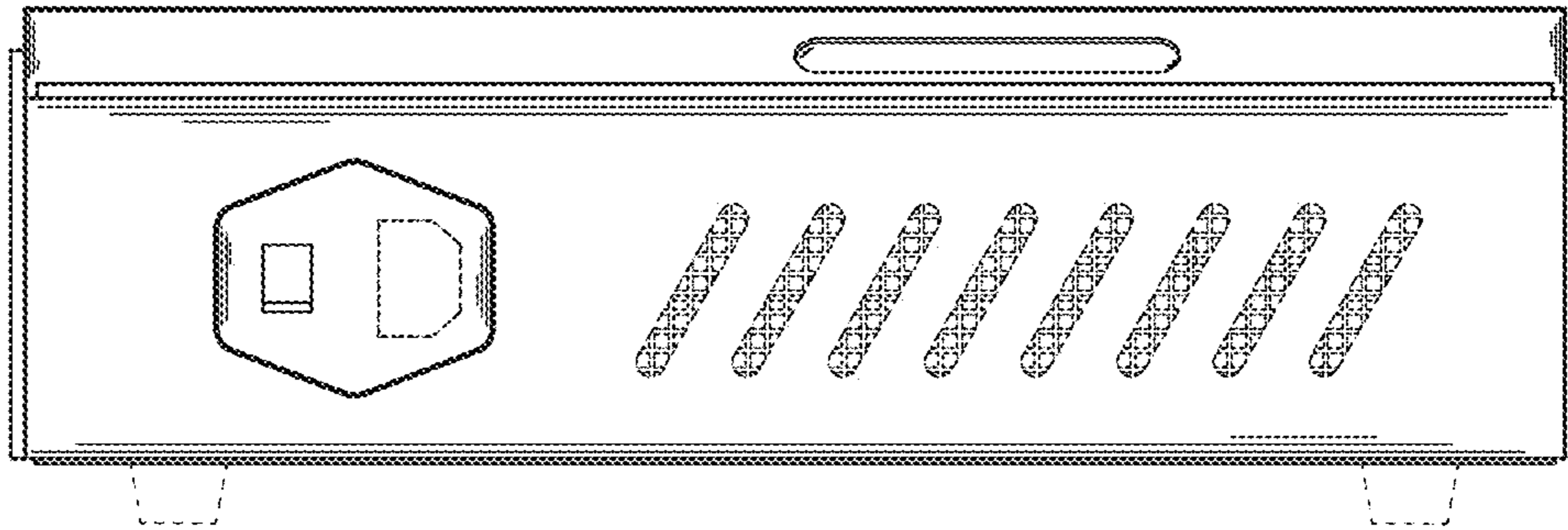


FIG. 4

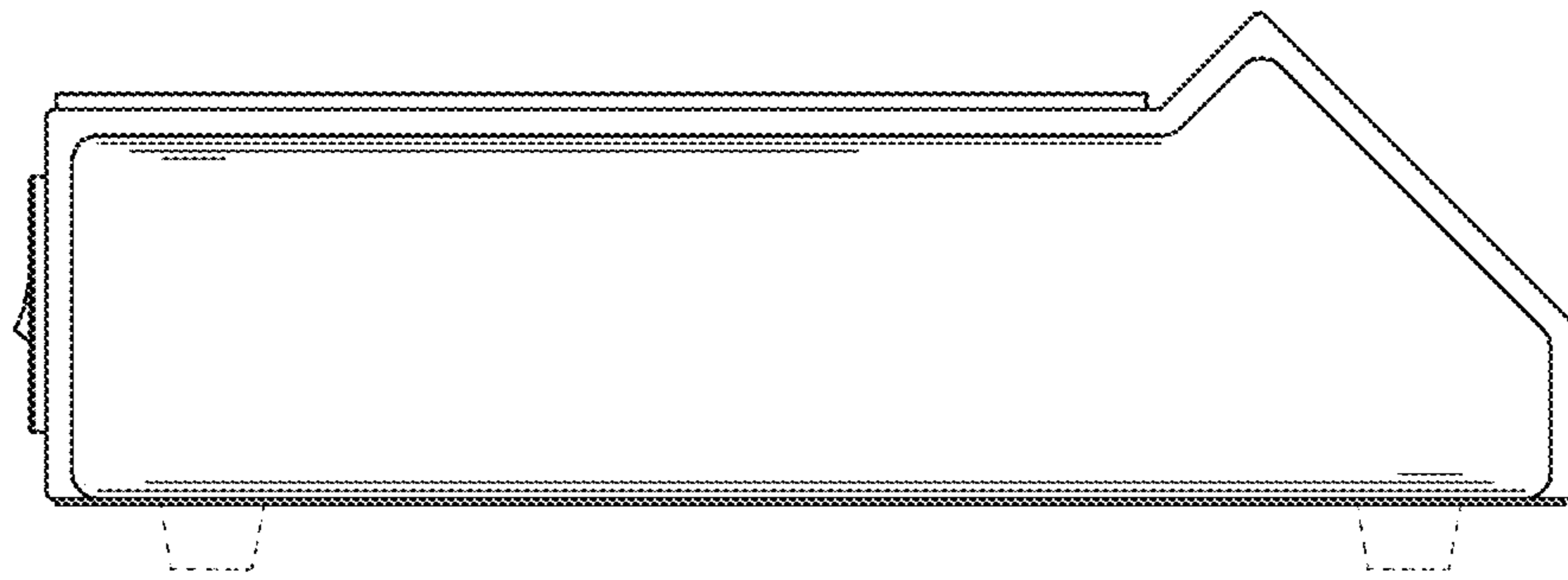


FIG. 5

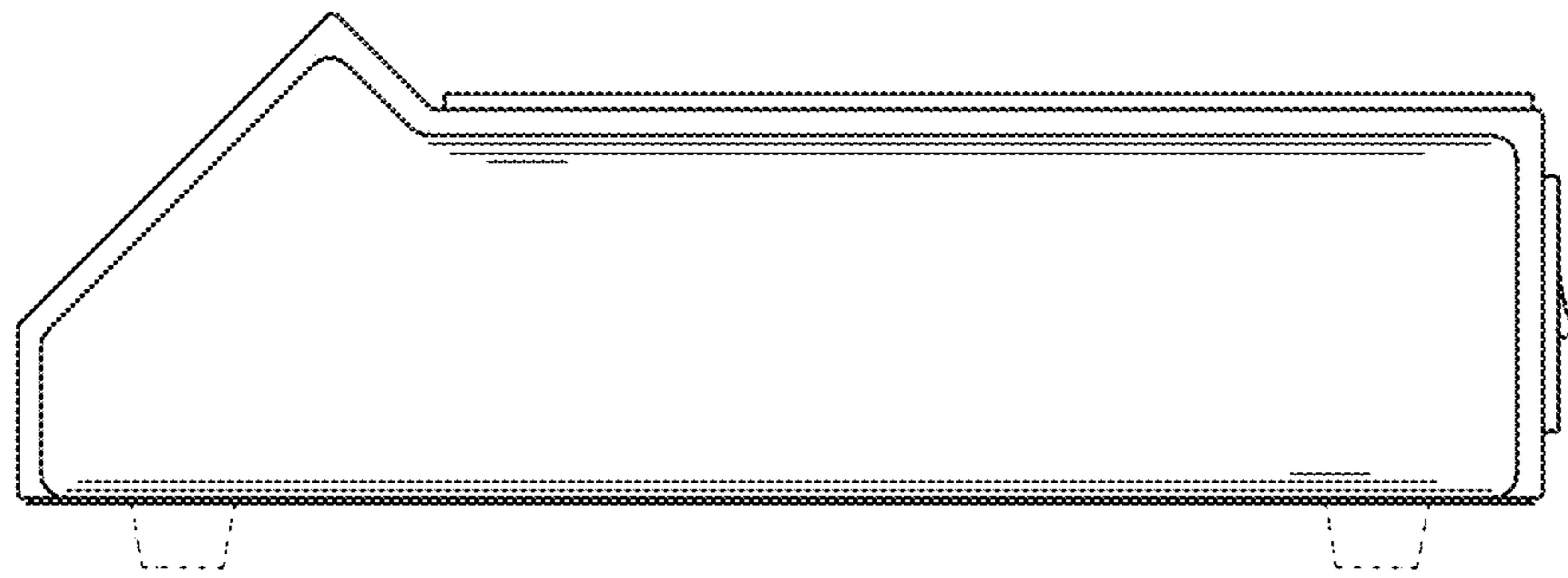


FIG. 6

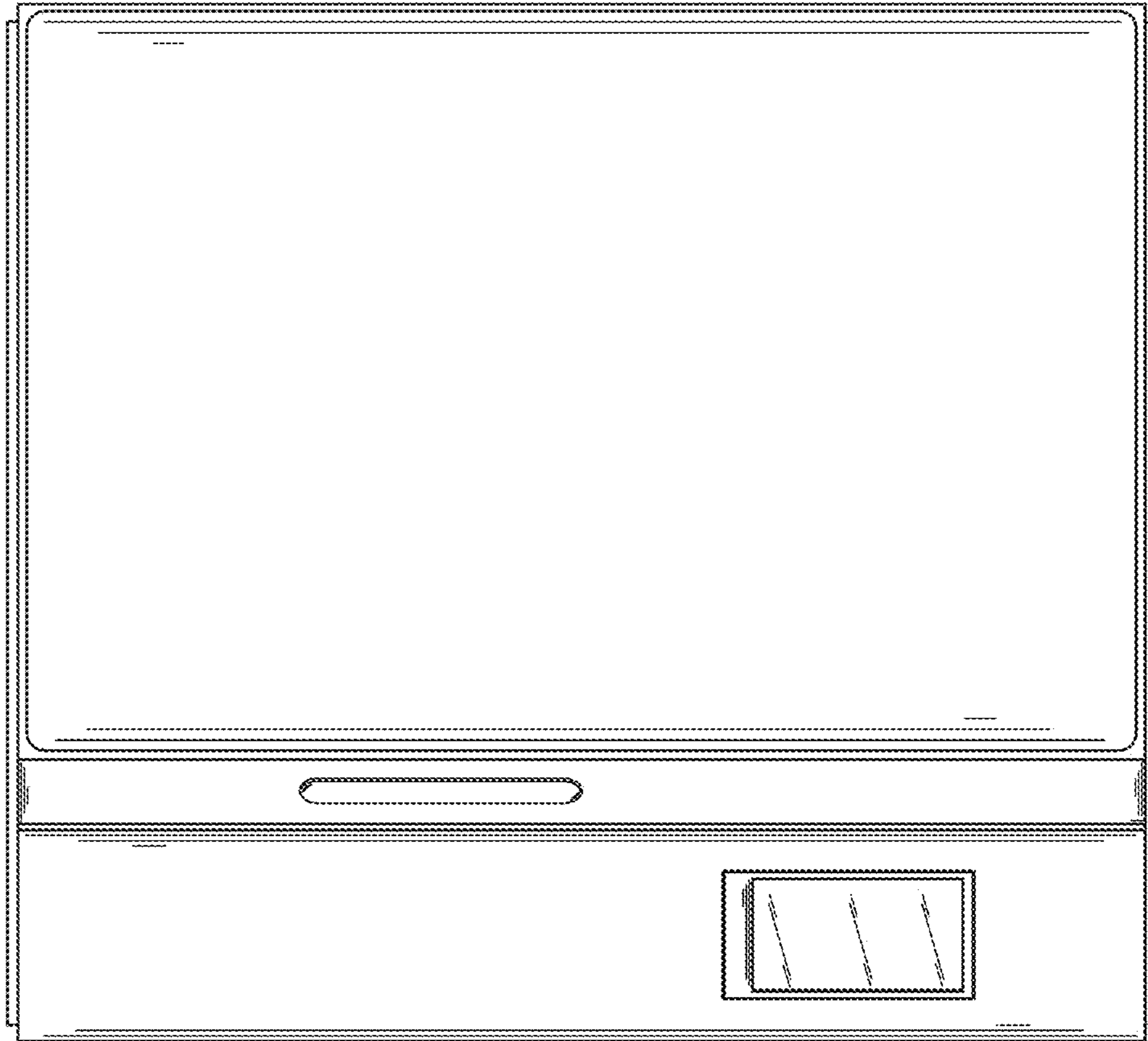


FIG. 7

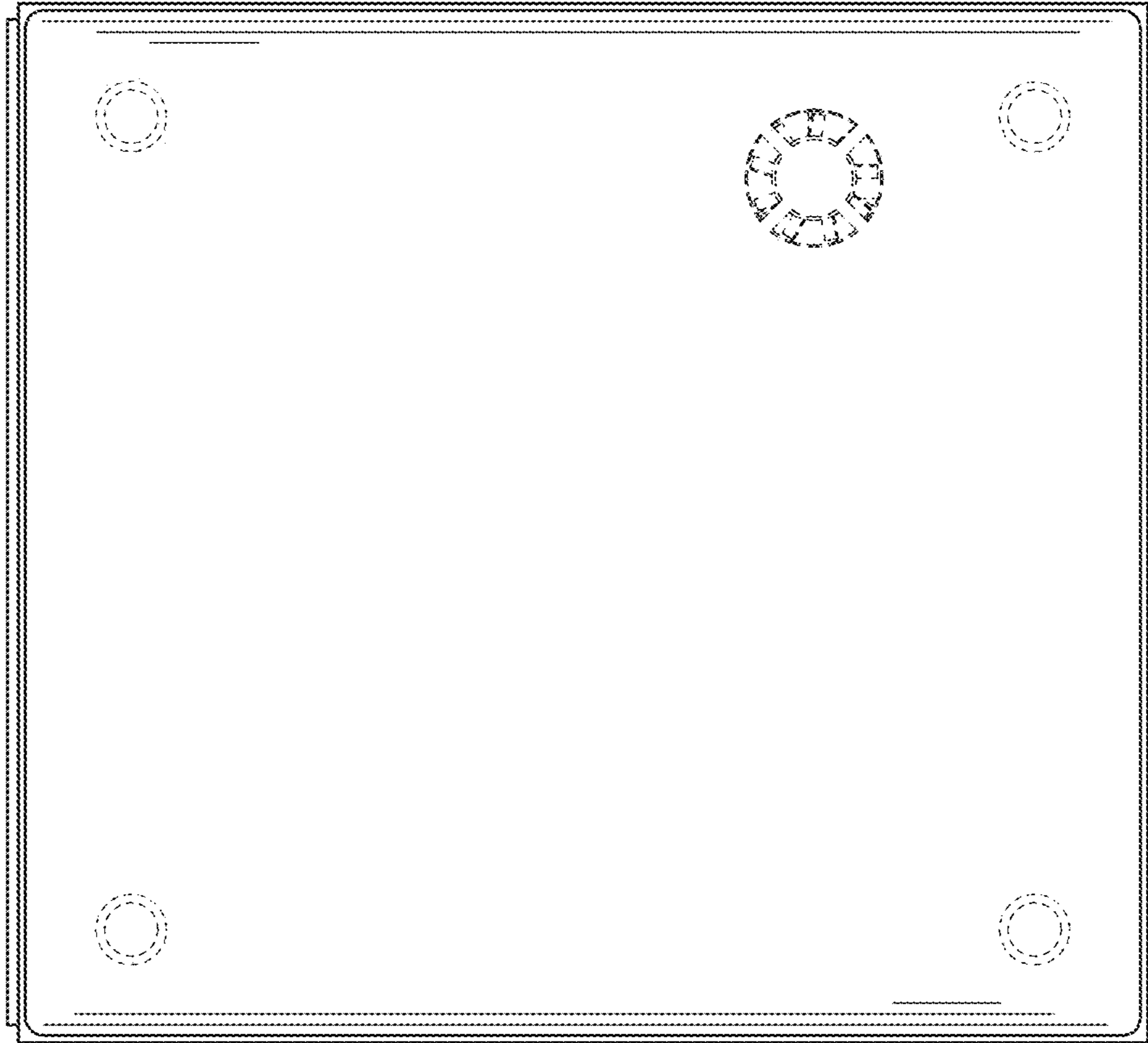


FIG. 8