



US00D974678S

(12) **United States Design Patent** (10) **Patent No.:** **US D974,678 S**
Wu (45) **Date of Patent:** **** Jan. 3, 2023**

(54) **CAT LITTER BOX WITH HANDLE**
(71) Applicant: **Taizhou Huangyan Mengsheng Technology Co., Ltd., Taizhou (CN)**
(72) Inventor: **Lingyan Wu, Taizhou (CN)**
(73) Assignee: **Taizhou Huangyan Mengsheng Technology Co., Ltd., Taizhou (CN)**

D749,277 S * 2/2016 Avalos Sartorio D30/161
D753,886 S * 4/2016 Veness D30/161
D783,908 S * 4/2017 Veness D30/161
9,615,538 B2 * 4/2017 Shamir A01K 1/0114
D808,597 S * 1/2018 Veness D30/161
D813,472 S * 3/2018 Veness D30/161
10,271,513 B2 * 4/2019 Baiocchi A01K 1/02

(Continued)

(**) Term: **15 Years**
(21) Appl. No.: **29/785,500**

CN 303873311 * 9/2016
CN 304463468 * 1/2018
CN 304621371 * 5/2018

(22) Filed: **May 26, 2021**
(51) **LOC (14) Cl.** **30-11**
(52) **U.S. Cl.**
USPC **D30/161**
(58) **Field of Classification Search**
USPC D6/663; D30/108-109, 112-120, 161,
D30/162
CPC A01K 1/01; A01K 1/0107; A01K 1/0111;
A01K 1/0114; A01K 1/0117; A01K
1/0121; A01K 1/0125; A01K 1/0128;
A01K 1/0132; A01K 1/0135; A01K
1/0139; A01K 1/0142; A01K 1/0236;
A01K 1/0272; A01K 1/029; A01K 1/033;
A01K 1/034; A01K 1/035; A01K 1/0035
See application file for complete search history.

FOREIGN PATENT DOCUMENTS

OTHER PUBLICATIONS

Sfozstra Cat Litter Box with Pedal, available in Amazon.com, date first available Jul. 6, 2021 [online], [site visited Oct. 17, 2022], Available from the internet URL: <https://www.amazon.com/Sfozstra-Litter-Enclosed-Leak-Proof-Odorless/dp/B098Q73MK8> (Year: 2021).*

Primary Examiner — Vy N Koenig
Assistant Examiner — Elizabeth Anne Glassberg

(57) **CLAIM**

The ornamental design for a cat litter box with handle, as shown and described.

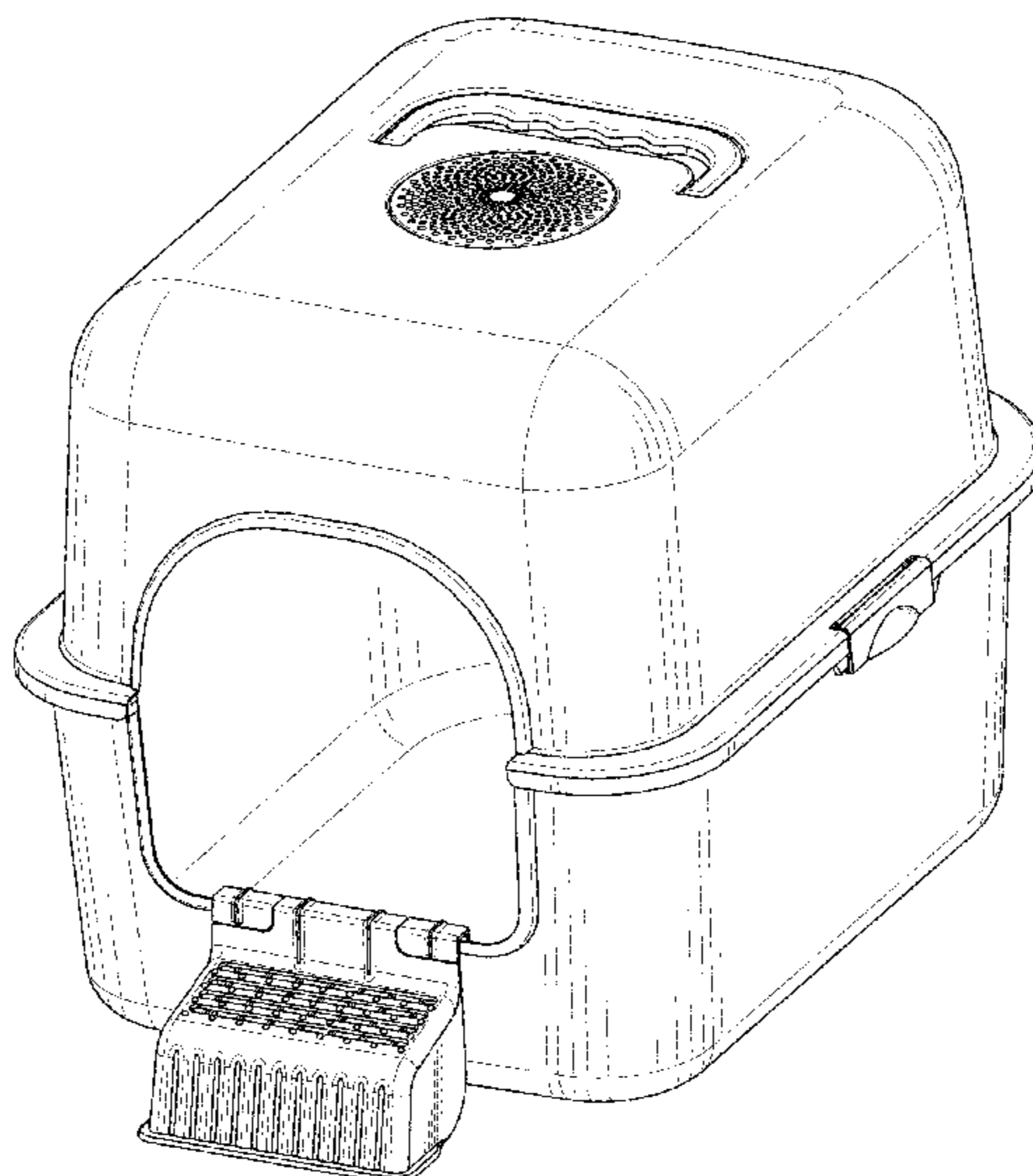
DESCRIPTION

FIG. 1 is a perspective view of a cat litter box with handle showing my new design;
FIG. 2 is a front view thereof;
FIG. 3 is a rear view thereof;
FIG. 4 is a left side view thereof;
FIG. 5 is a right side view thereof;
FIG. 6 is a top plan view thereof; and,
FIG. 7 is a bottom plan view thereof.
The broken lines in the figures illustrate portions of the cat litter box with handle that form no part of the claimed design.

(56) **References Cited**
U.S. PATENT DOCUMENTS

D300,966 S * 5/1989 Conner D30/161
D300,968 S * 5/1989 Conner D30/161
5,220,886 A * 6/1993 Hyde A01K 1/0107
119/165
D361,175 S * 8/1995 VanSkiver D30/109
D496,501 S * 9/2004 Walter D30/161
D527,498 S * 8/2006 Lewis, II D30/161
8,181,601 B2 * 5/2012 Kratzer A01K 1/0107
D30/162
D728,172 S * 4/2015 Matsuo D30/161

1 Claim, 7 Drawing Sheets



(56)

References Cited

U.S. PATENT DOCUMENTS

D854,260	S *	7/2019	Maeda	D30/161
D867,689	S *	11/2019	Veness	D30/161
D880,790	S *	4/2020	Maeda	D30/161
11,026,396	B2 *	6/2021	Akers, II	A01K 1/0107
2004/0129230	A1 *	7/2004	Northrop	A01K 1/0114
					119/165
2014/0069342	A1 *	3/2014	Khalili	A01K 1/0114
					119/165
2015/0114303	A1 *	4/2015	Shamir	A01K 1/0114
					119/166
2015/0320008	A1 *	11/2015	Northrop	A01K 1/0107
					119/165

* cited by examiner

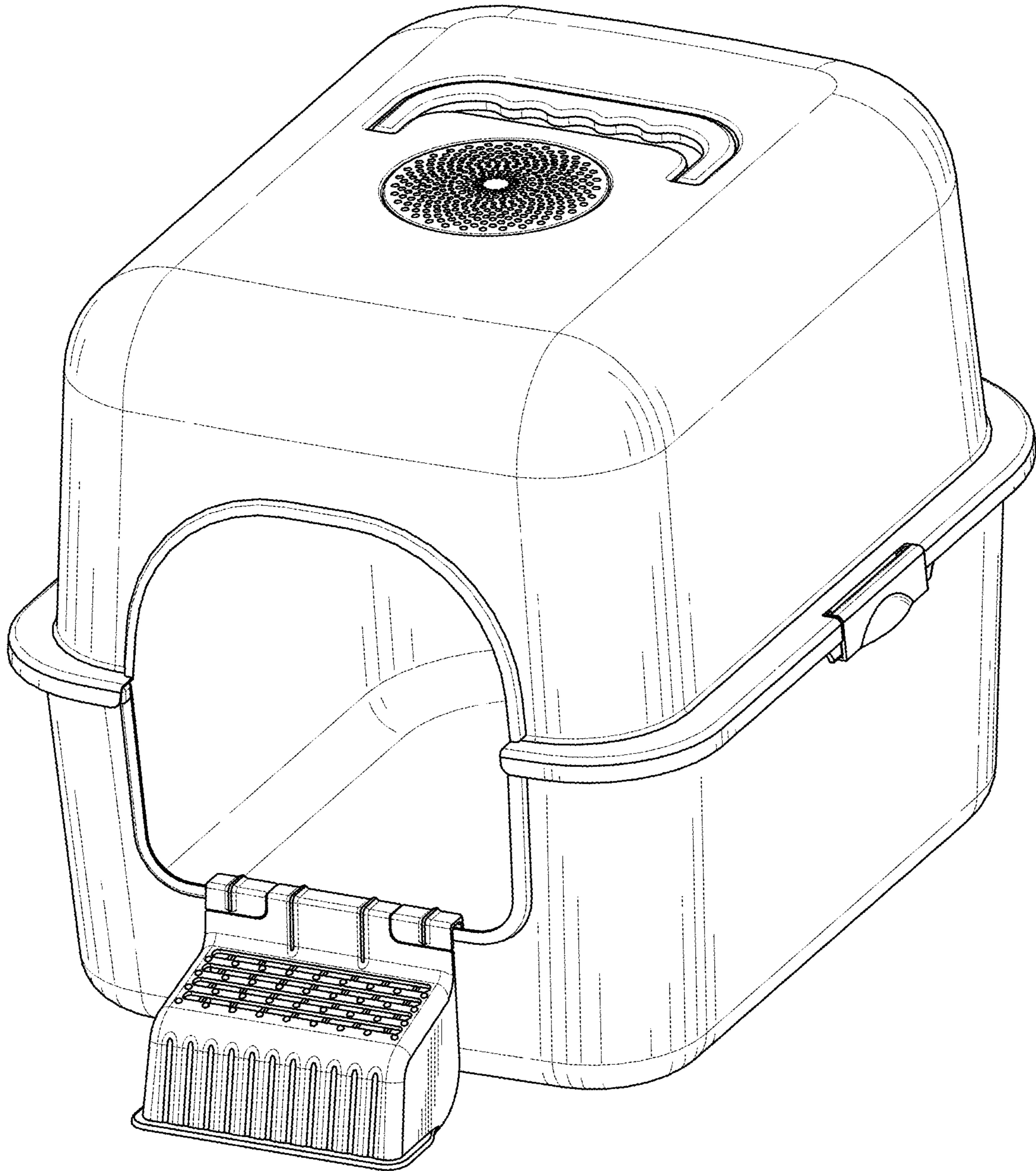


FIG. 1

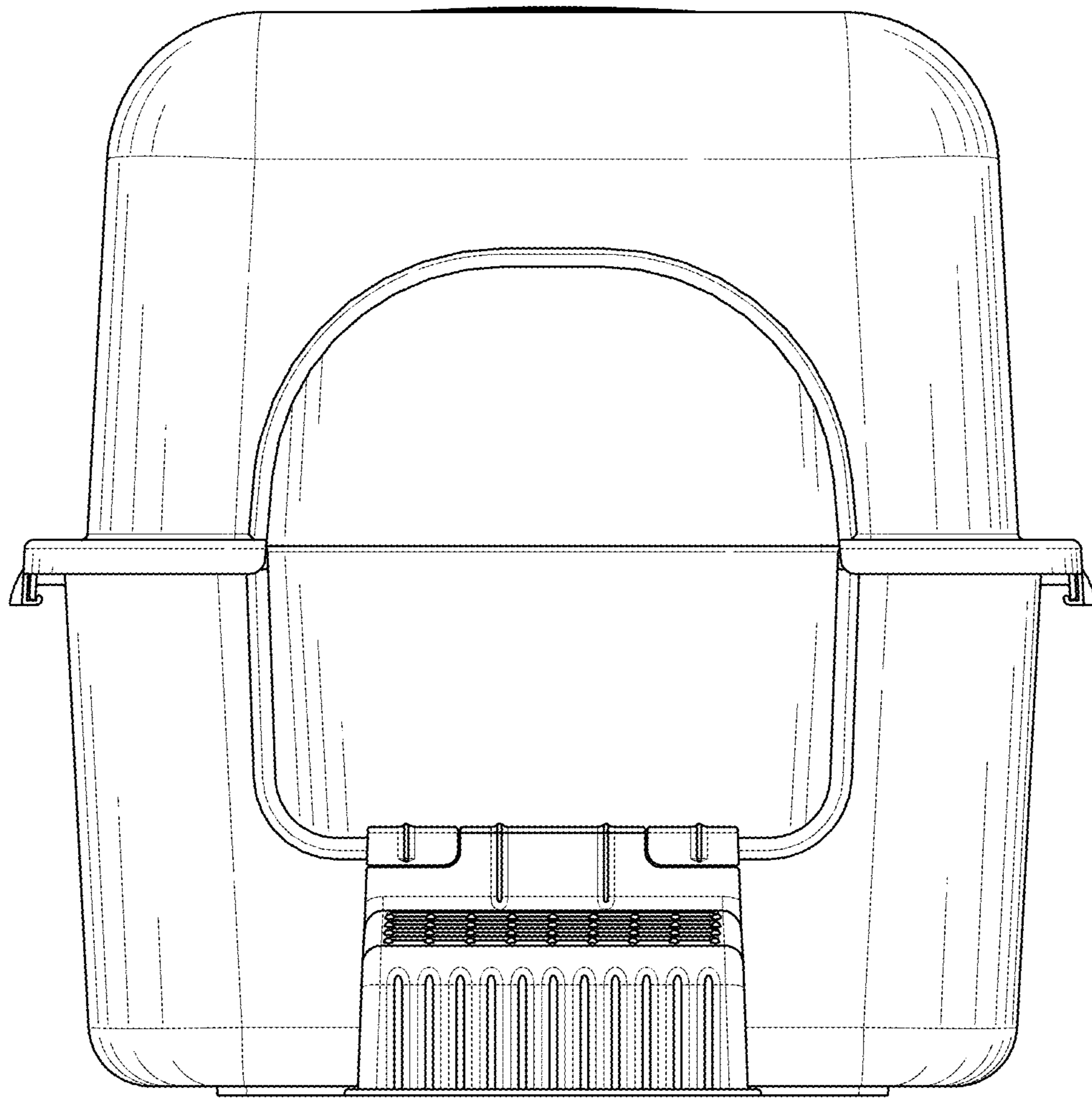


FIG. 2

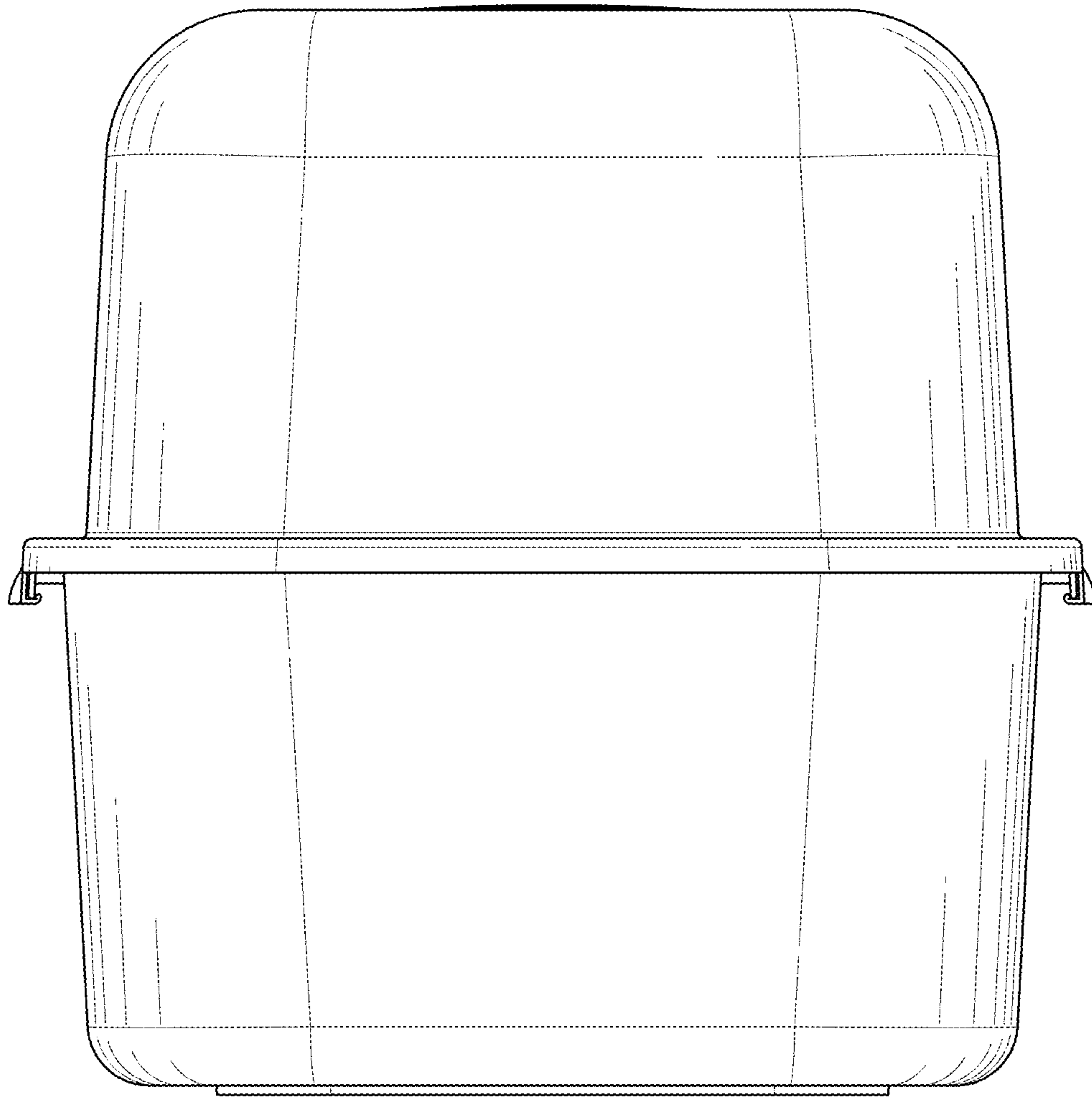


FIG. 3

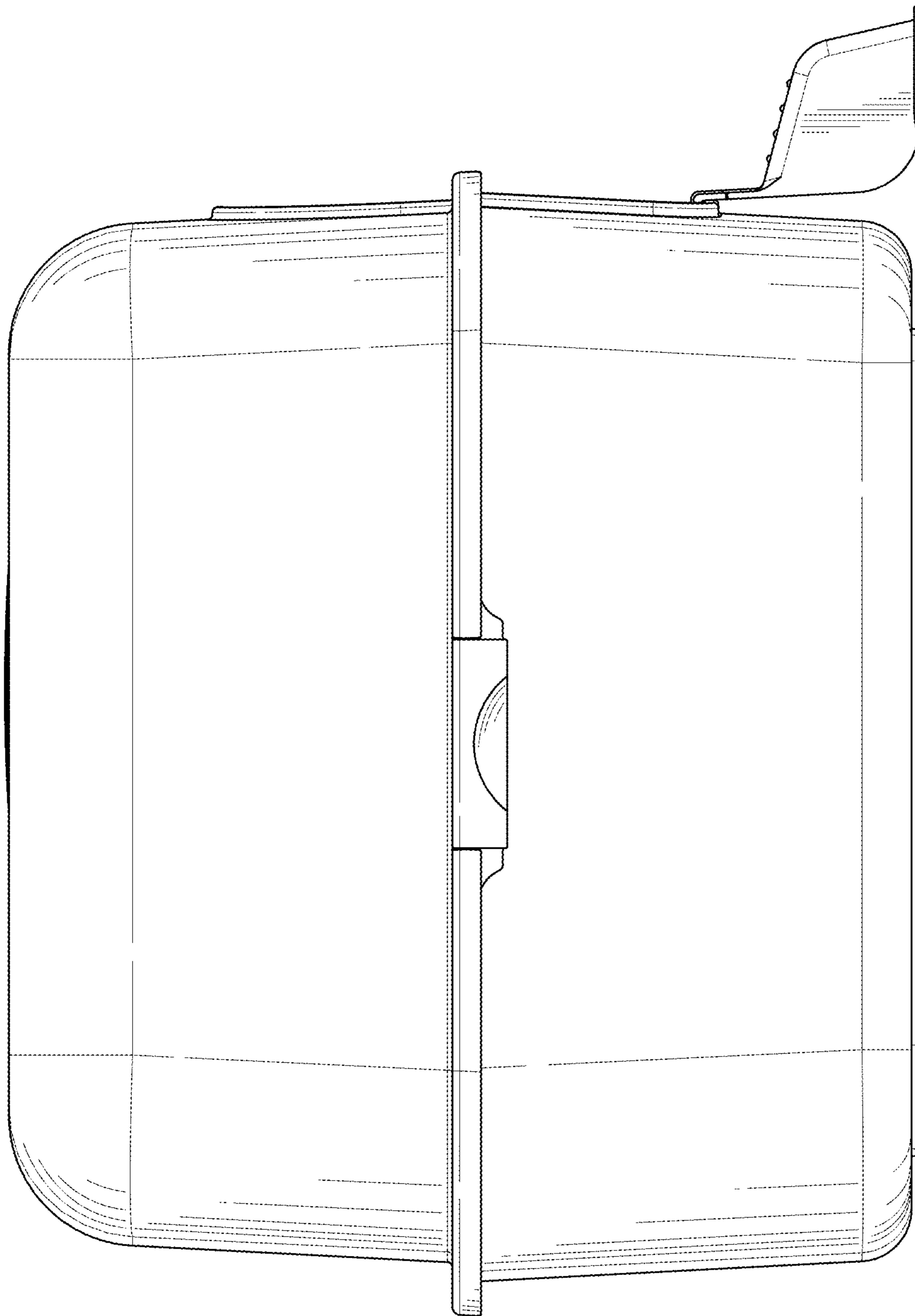


FIG. 4

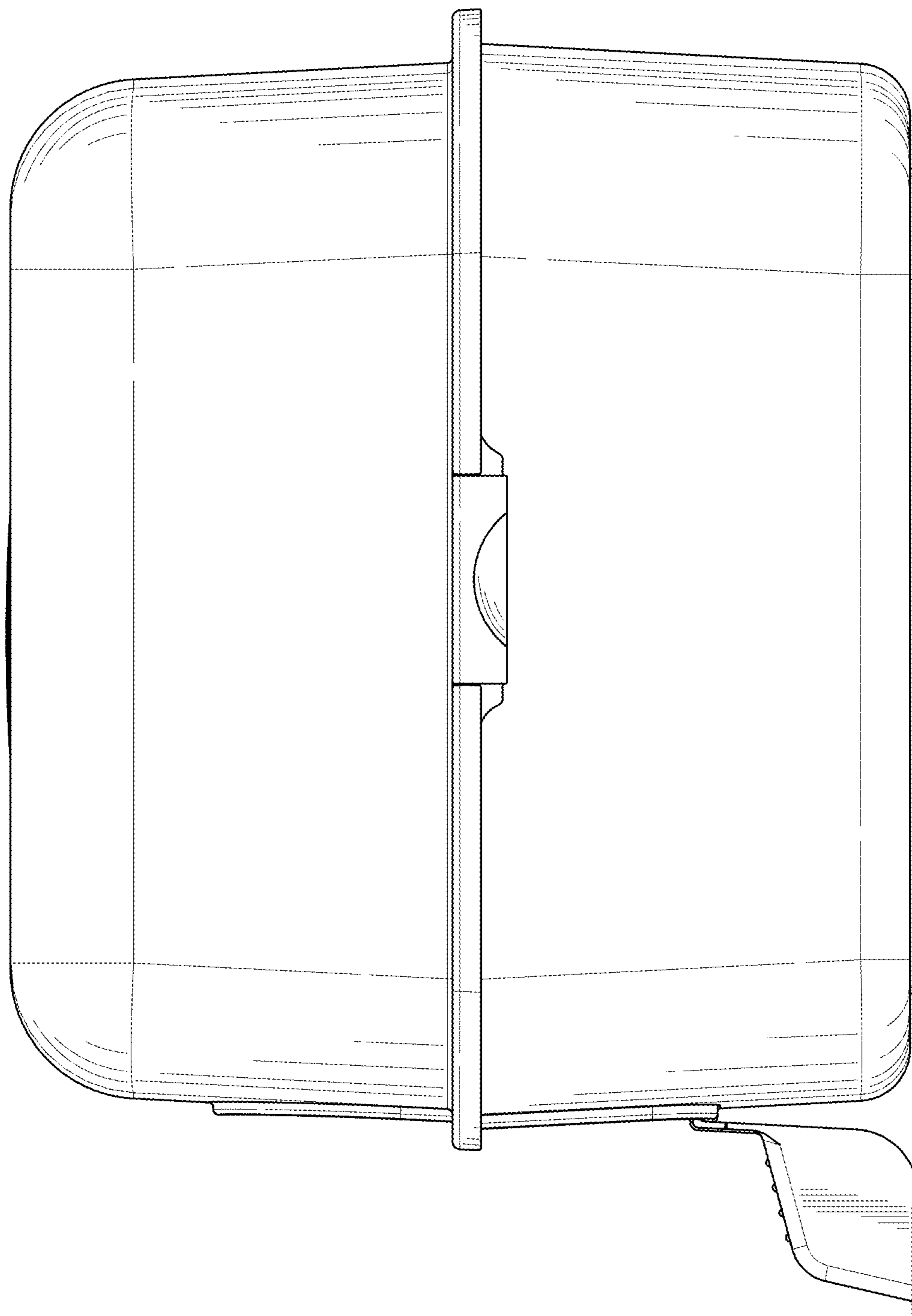


FIG. 5

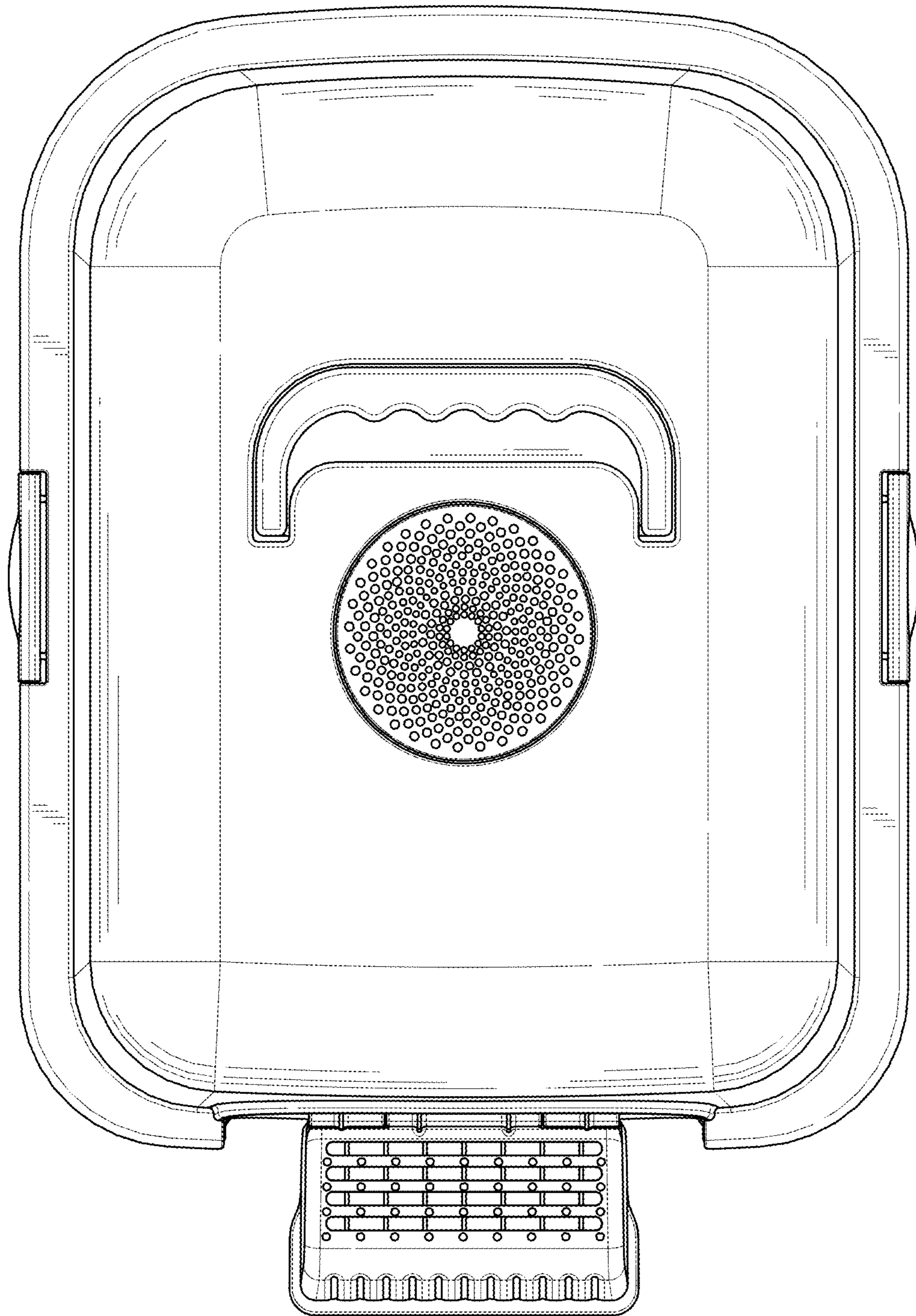


FIG. 6

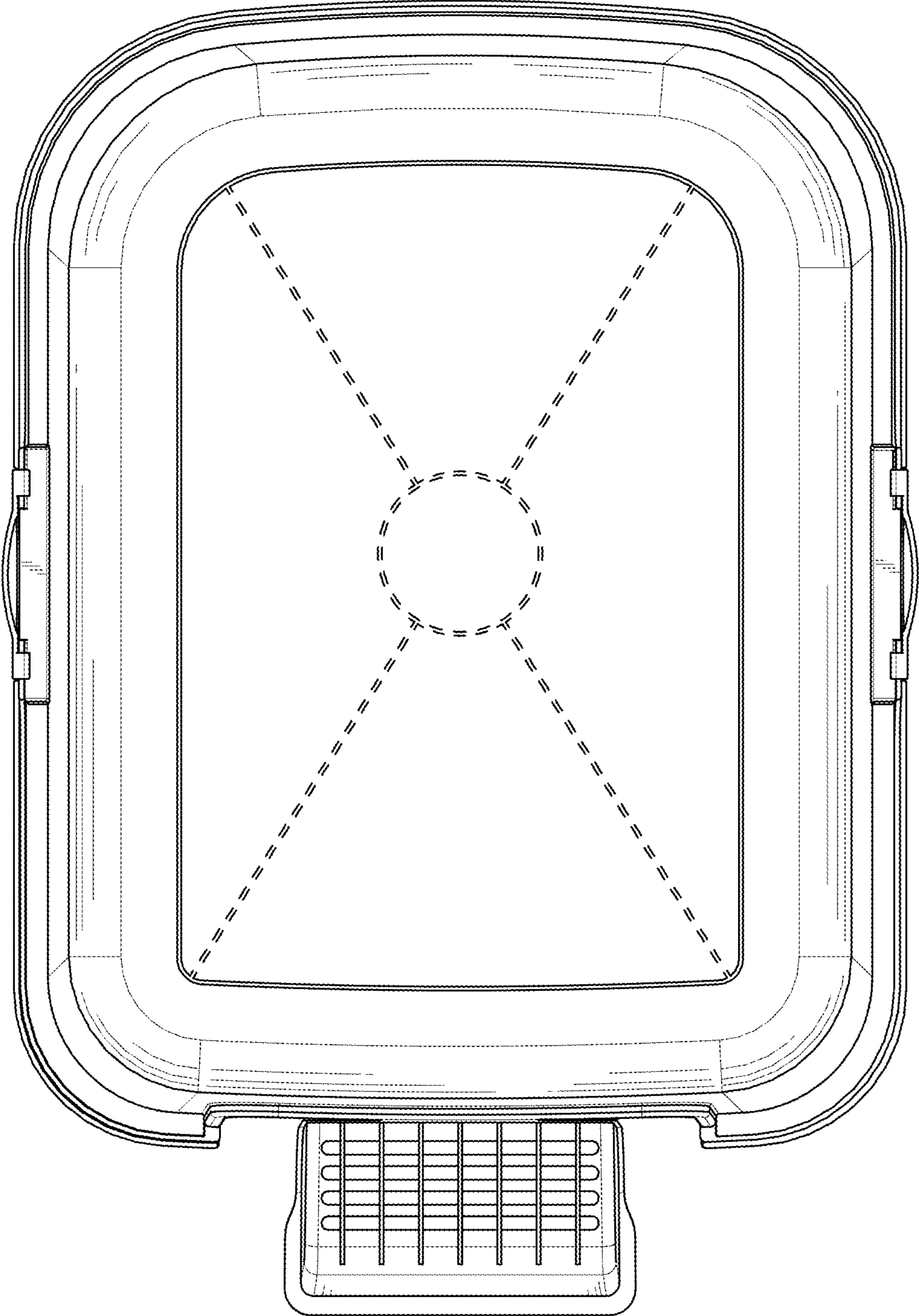


FIG. 7