



US00D974677S

(12) **United States Design Patent** (10) **Patent No.:** **US D974,677 S**
Becattini, Jr. et al. (45) **Date of Patent:** **** Jan. 3, 2023**

(54) **APPARATUS FOR PET HAIR REMOVAL**

D8/1, 33, 40, 41, 80, 94, 97, 98, 105,
D8/107, 300-303, 307, 321; 126/173,
126/214 C, 25 R; D28/46, 48

(71) Applicant: **Towerstar Pets, LLC**, Malvern, PA
(US)

CPC A01K 13/00; A01K 13/002; B26B 19/24;
B26B 19/063; B26B 19/00; B26B 19/02;
B26B 19/04; B26B 19/06; B26B 19/10;
B26B 19/20; B26B 19/22; B26B 19/28;
B26B 19/38; B26B 19/382; B26B
19/3813; B26B 19/3846; B26B 21/16;
B26B 21/18;

(72) Inventors: **Fernando Becattini, Jr.**, Malvern, PA
(US); **Jacquelyn N. Becattini**, Malvern,
PA (US); **Fernando Becattini, Sr.**,
Devon, PA (US); **Steve A. Copeland**,
Barrie (CA); **Nicholas Teixeira**, Angus
(CA)

(Continued)

(73) Assignee: **TOWERSTAR PETS, LLC**, Malvern,
PA (US)

(56) **References Cited**

U.S. PATENT DOCUMENTS

(**) Term: **15 Years**

D251,022 S 2/1979 McKay
D331,840 S 12/1992 Garner

(21) Appl. No.: **29/842,144**

(Continued)

(22) Filed: **Jun. 10, 2022**

Primary Examiner — Susan Moon Lee

(51) **LOC (14) Cl.** **30-99**

(74) *Attorney, Agent, or Firm* — Sand, Sebolt & Wernow
Co., LPA

(52) **U.S. Cl.**

USPC **D30/159**; D30/158

(58) **Field of Classification Search**

USPC D30/158, 159, 199, 162, 106; 119/625,
119/633, 600, 617, 628, 632, 631, 613,
119/618, 619, 620, 611, 609; 132/126,
132/142, 219, 212, 149, 150, 159-161,
132/163; 30/114, 130, 301, 305, 315,
30/316, 299, 303, 306, 169, 322, 31, 30,
30/279.2, 280, 287, 294, 199, 329-344,
30/346.56, 346.61, 355, 357, 526-528;
D7/672-676, 687, 686, 634, 619, 688,
D7/653, 395; 425/298; 426/503;
D4/136, 127, 124-126, 116-118, 199,
D4/194; D32/42, 25, 46; 172/379, 380;
D21/532, 398; 56/400.01, 400.1, 400.17,
56/400.21, 400.05, 400.04, 330; 15/402,
15/142, 236.07, 236.08, 236.05, 159.1,
15/160, 171, 176.1, 236.01, 236.02;
601/137, 136, 80, 93, 95, 97, 101, 103,
601/138, 143-147; D8/13, 6, 10, 11, 12,

(57) **CLAIM**

The ornamental design for an apparatus for pet hair removal,
as shown and described.

DESCRIPTION

FIG. 1 is a front, top, right side isometric perspective view
of an apparatus for pet hair removal in accordance with our
design;

FIG. 2 is a front, top, left side isometric perspective thereof;

FIG. 3 is a front elevation view thereof;

FIG. 4 is a rear elevation view thereof;

FIG. 5 is a left side elevation view thereof;

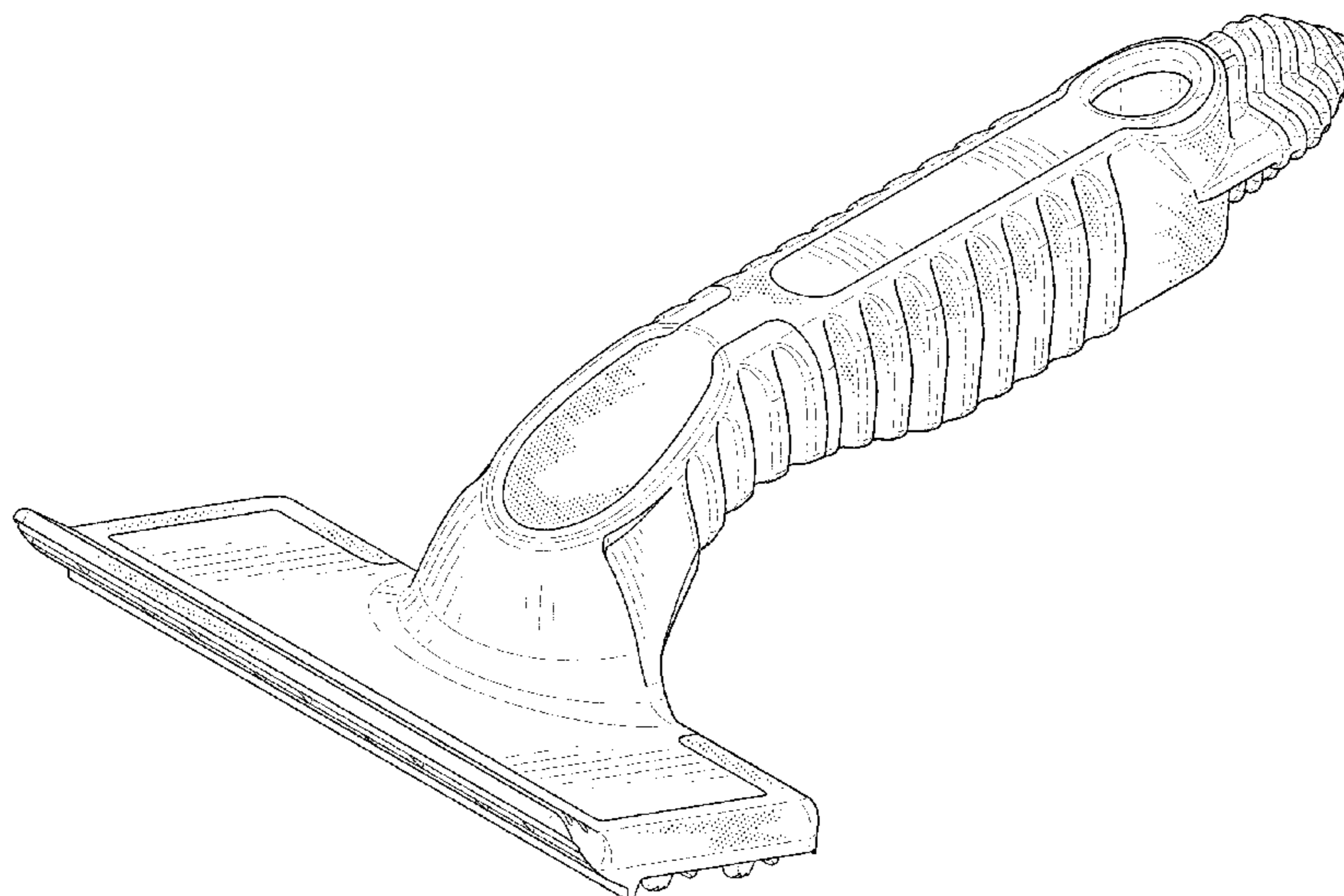
FIG. 6 is a right side elevation view thereof;

FIG. 7 is a top plan view thereof; and,

FIG. 8 is a bottom plan view thereof.

The broken lines illustrate portions of the apparatus for pet
hair removal which form no part of the claimed design.

1 Claim, 7 Drawing Sheets



(58) **Field of Classification Search**

CPC B26B 21/521; B26B 21/4075; B26B 21/522; B26B 21/00; B26B 21/12; B26B 21/125; B26B 21/4006; B26B 21/52; B26B 21/56; B26B 21/565; B26B 21/525; B26B 21/528; B26B 15/00; B26B 13/22; B26B 13/24; B26B 13/26; A45D 24/30; A45D 24/00; A45D 24/04; A45D 24/10; A45D 24/36; A45D 24/02; A45D 24/40; A45D 24/42; A45D 24/44; A45D 2024/345; A45D 24/06; A46B 5/02; A46B 5/021; A46B 5/026; A46B 5/028; A46B 2200/1093; A46B 2200/10; A46B 9/02; A46B 7/04-044; B25G 1/01; B25G 1/10; B25G 1/102; B25G 3/00; B25G 3/04; B25G 3/08; Y10T 16/476; Y10T 16/48

See application file for complete search history.

(56) **References Cited**

U.S. PATENT DOCUMENTS

D342,610 S 12/1993 Stetson et al.
 D352,397 S 11/1994 Coleman
 D357,810 S 5/1995 Evans
 D366,762 S * 2/1996 Ward D4/136
 D378,958 S 4/1997 Yu
 D389,618 S 1/1998 Rosen
 D397,875 S 9/1998 Barrett
 D408,998 S 5/1999 Choi et al.
 D422,765 S 4/2000 Viola
 D433,818 S 11/2000 Hegemann et al.
 D456,613 S 5/2002 Boelke
 D457,989 S 5/2002 O'Rourke
 D470,981 S 2/2003 Simon
 D485,075 S 1/2004 Hutchinson
 6,874,446 B2 * 4/2005 Plante A61K 41/00
 15/207.2
 D507,682 S * 7/2005 Dunn D4/138
 D538,047 S 3/2007 Draughn
 D539,545 S 4/2007 Crane et al.
 D550,460 S 9/2007 Dunn et al.
 D577,160 S * 9/2008 Simon D30/158
 D591,514 S 5/2009 Mcneil et al.

D616,649 S 6/2010 Lin
 D616,651 S 6/2010 Lin
 D627,565 S 11/2010 Tyce et al.
 D643,220 S 8/2011 Berger et al.
 D666,007 S 8/2012 Harris et al.
 D675,790 S 2/2013 Tran et al.
 D693,068 S 11/2013 Tan
 D703,879 S 4/2014 Green et al.
 D710,112 S 8/2014 Dunn
 D756,132 S 5/2016 Michelson et al.
 D779,135 S 2/2017 Chang
 D798,000 S 9/2017 Knoll
 D838,061 S 1/2019 Wu
 D840,608 S 2/2019 Snead, Sr.
 D845,003 S 4/2019 Khubani et al.
 D845,004 S 4/2019 Khubani et al.
 10,278,364 B2 * 5/2019 Chen A01K 13/002
 D858,998 S 9/2019 Zhang
 D866,092 S 11/2019 Liang
 D890,530 S 7/2020 Quan
 D890,531 S 7/2020 Quan
 D891,710 S * 7/2020 Zhang D30/158
 D893,113 S 8/2020 Oishi et al.
 D893,814 S 8/2020 Oishi et al.
 D893,815 S 8/2020 Oishi et al.
 D898,302 S 10/2020 Zhang
 D899,711 S 10/2020 Matsuyama et al.
 D899,712 S 10/2020 Ito et al.
 D910,246 S 2/2021 Zhang
 D917,798 S 4/2021 Xue
 D919,198 S 5/2021 Katopis
 D919,199 S 5/2021 Xu
 D923,259 S 6/2021 Chen
 D933,369 S 10/2021 Park et al.
 D935,706 S 11/2021 Takla et al.
 D936,901 S 11/2021 Ji
 D937,440 S 11/2021 Harrington
 D939,154 S * 12/2021 Tang D30/159
 D941,034 S 1/2022 Lai
 D948,139 S 4/2022 Khubani et al.
 D951,559 S 5/2022 Huang
 D951,562 S 5/2022 Zhuo
 D952,271 S 5/2022 Xiao
 D953,661 S 5/2022 Zhang
 D962,561 S 8/2022 Zhu
 D965,305 S * 10/2022 Yan D30/158
 2021/0177131 A1 * 6/2021 Jacobowitz F21S 9/02

* cited by examiner

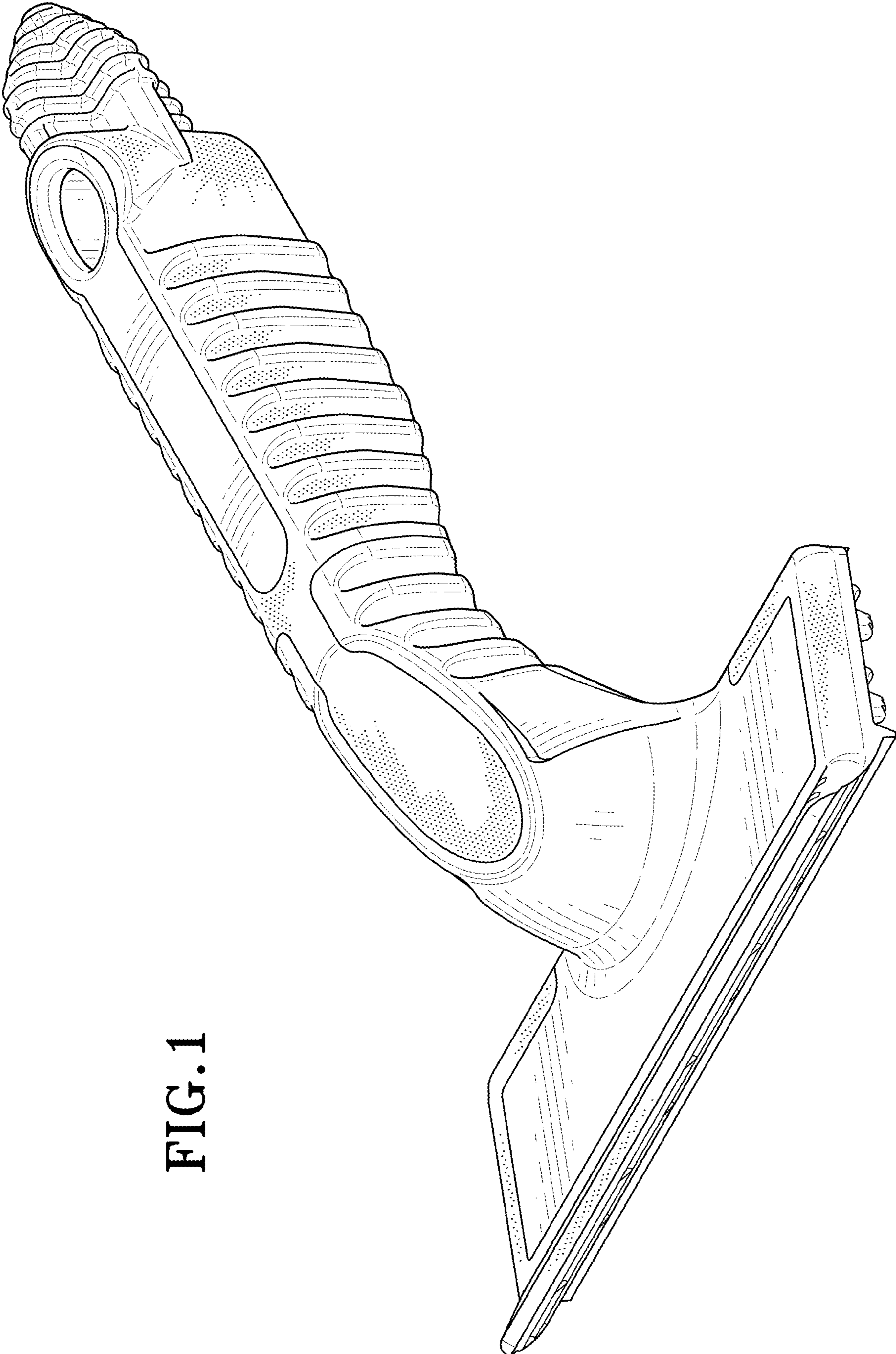
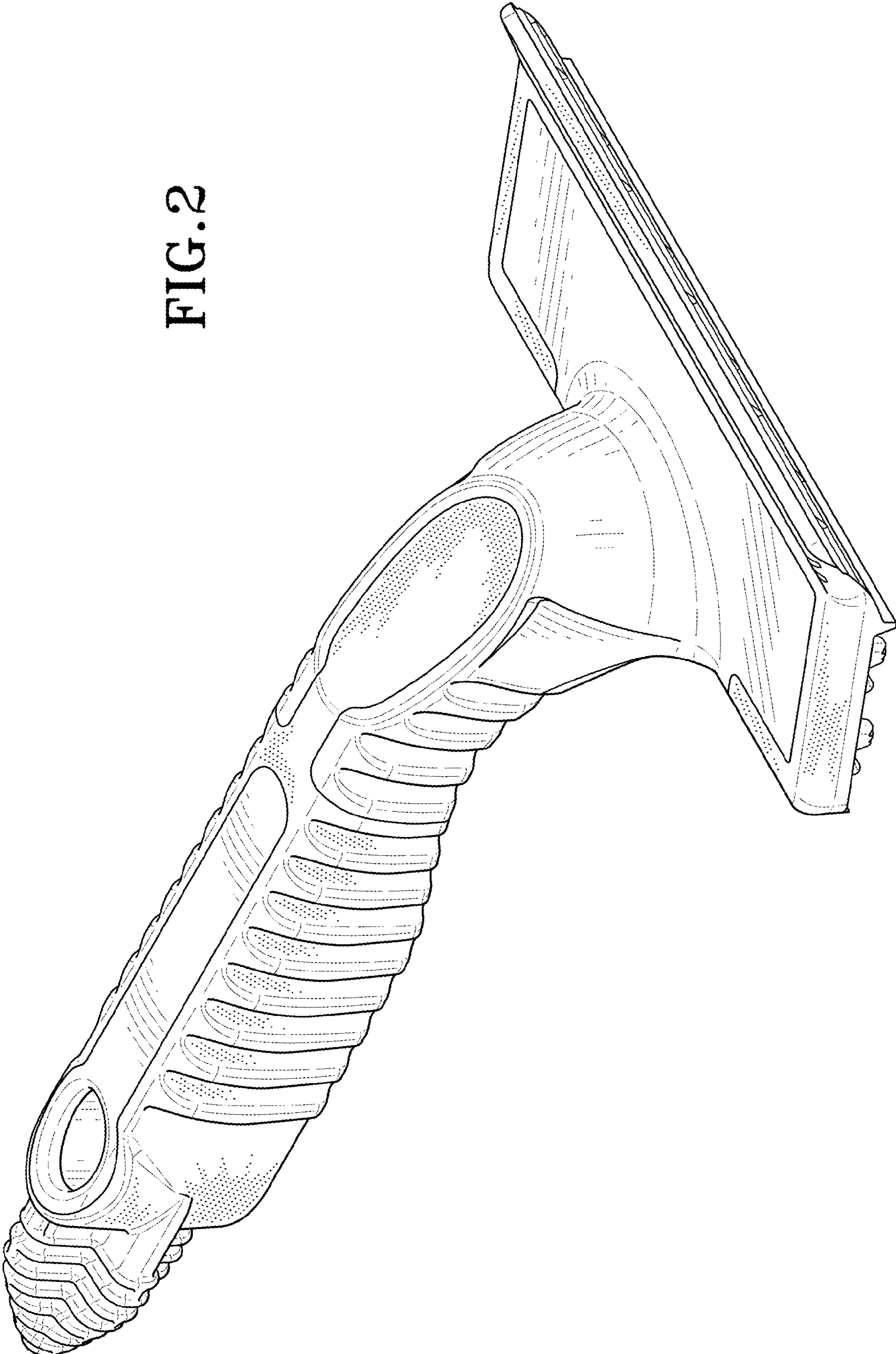


FIG. 1

FIG. 2



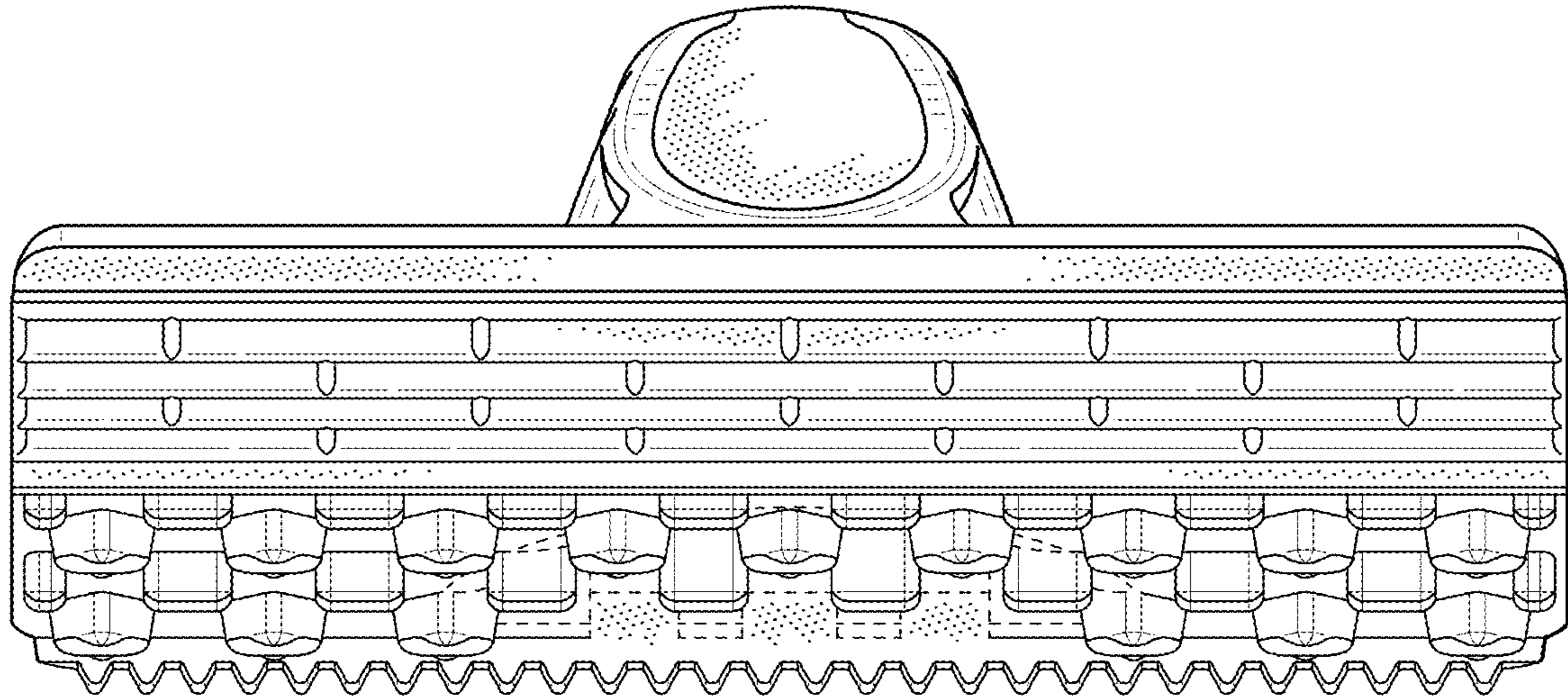


FIG. 3

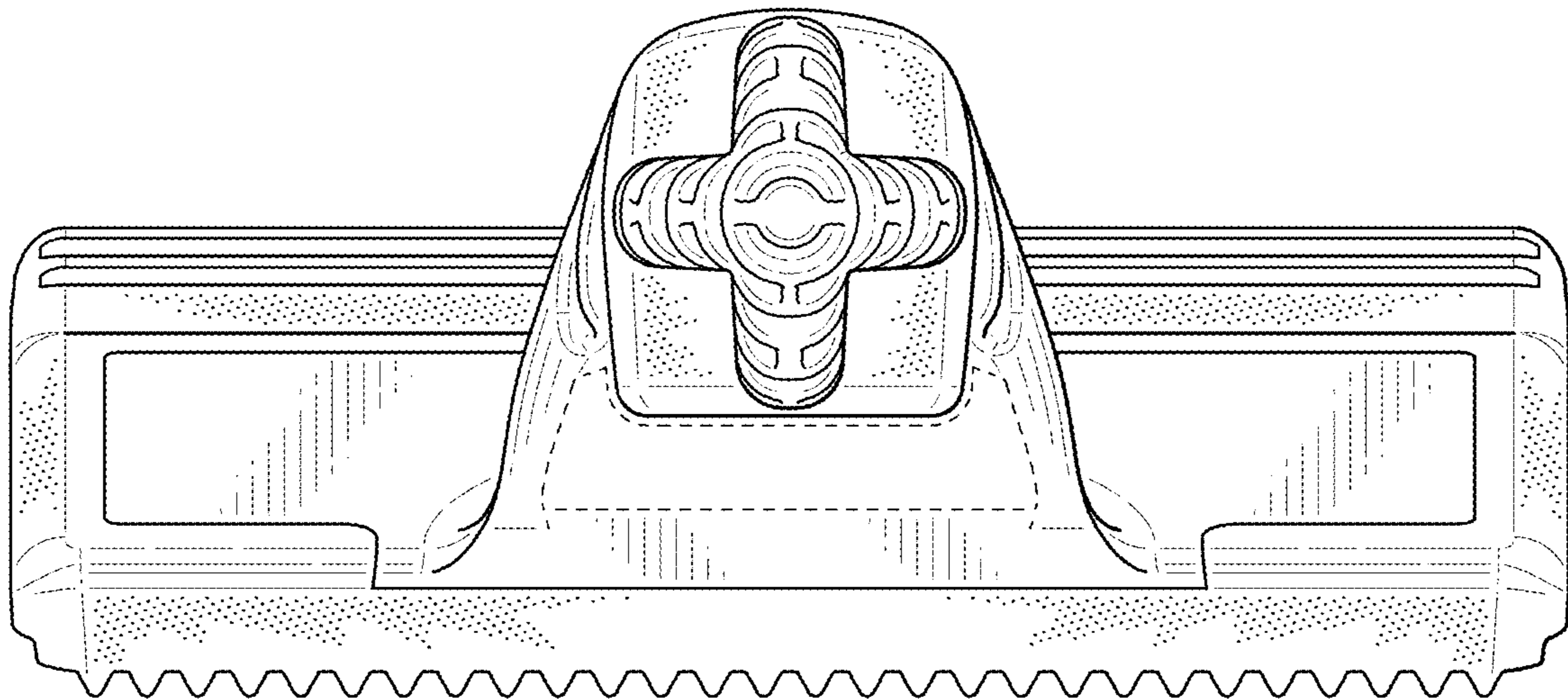


FIG. 4

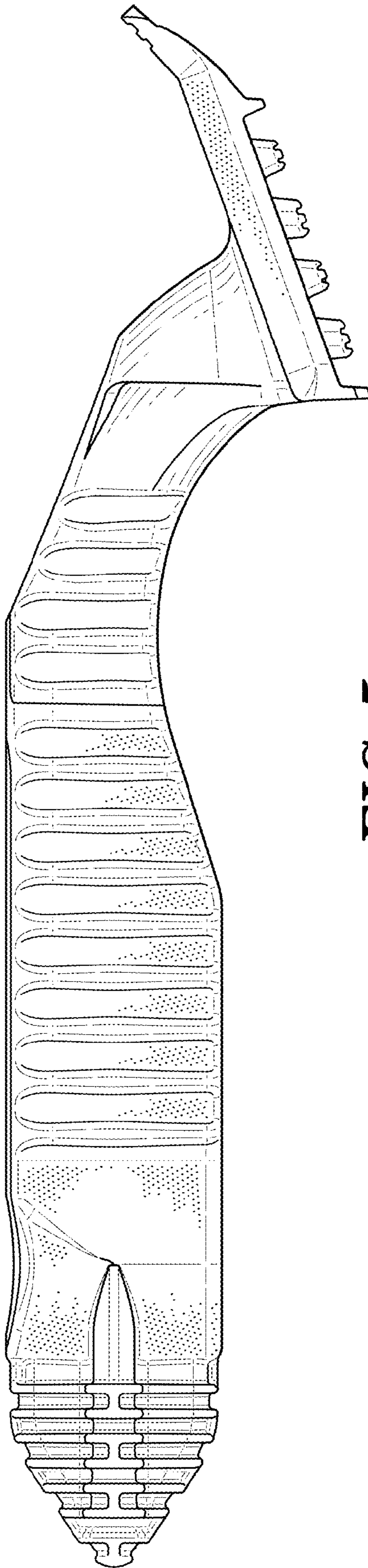


FIG. 5

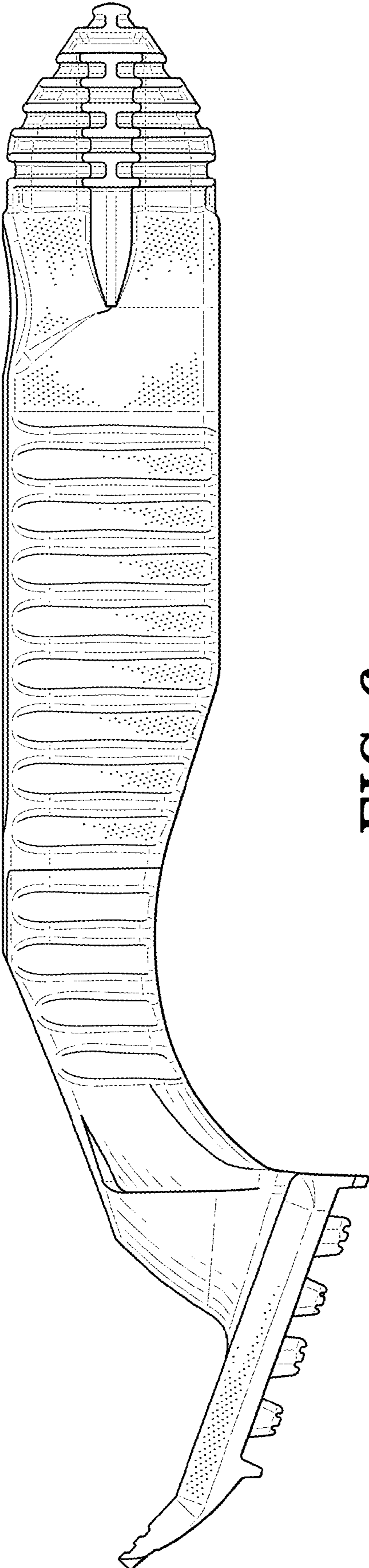
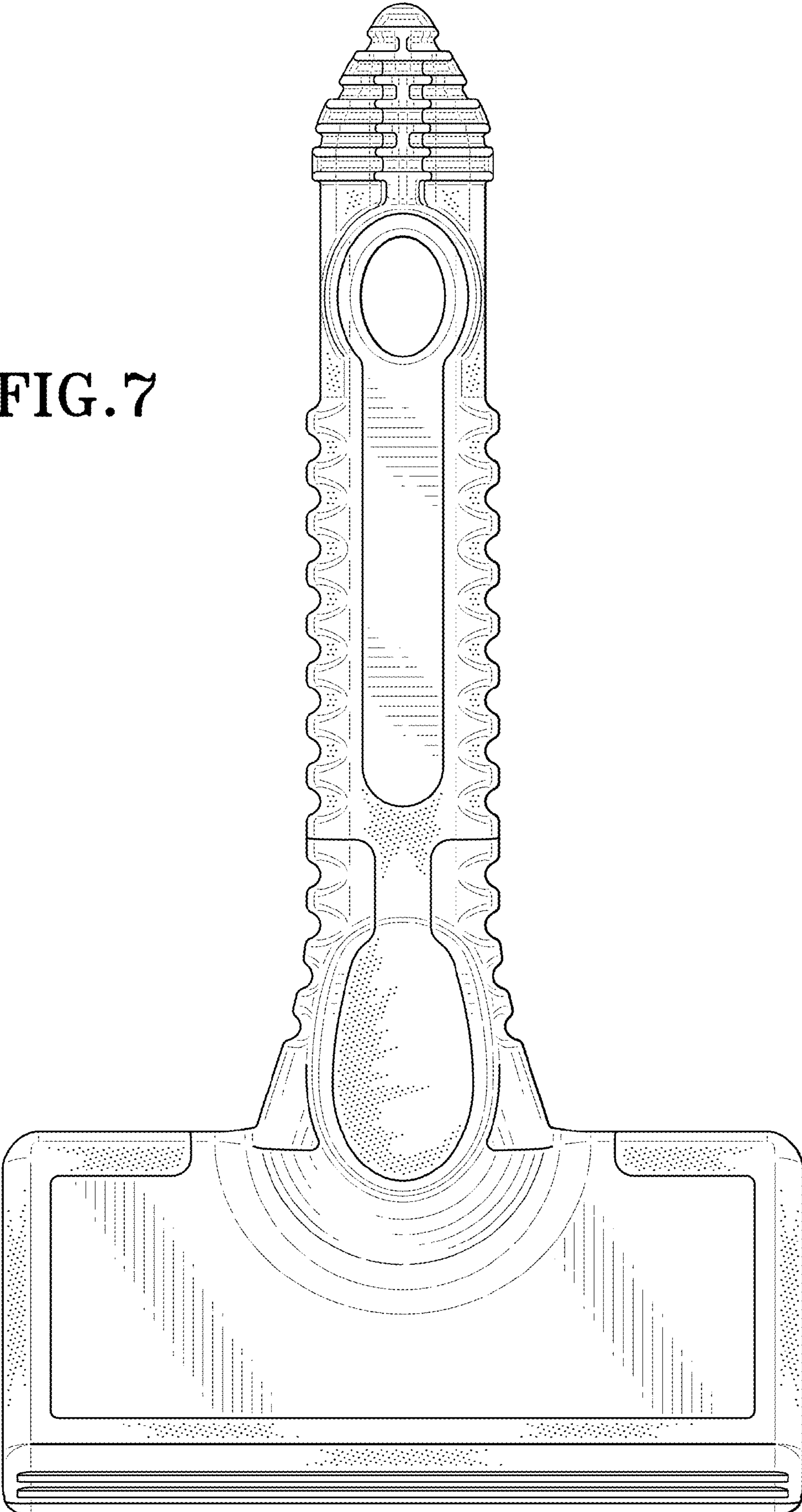


FIG. 6

FIG. 7



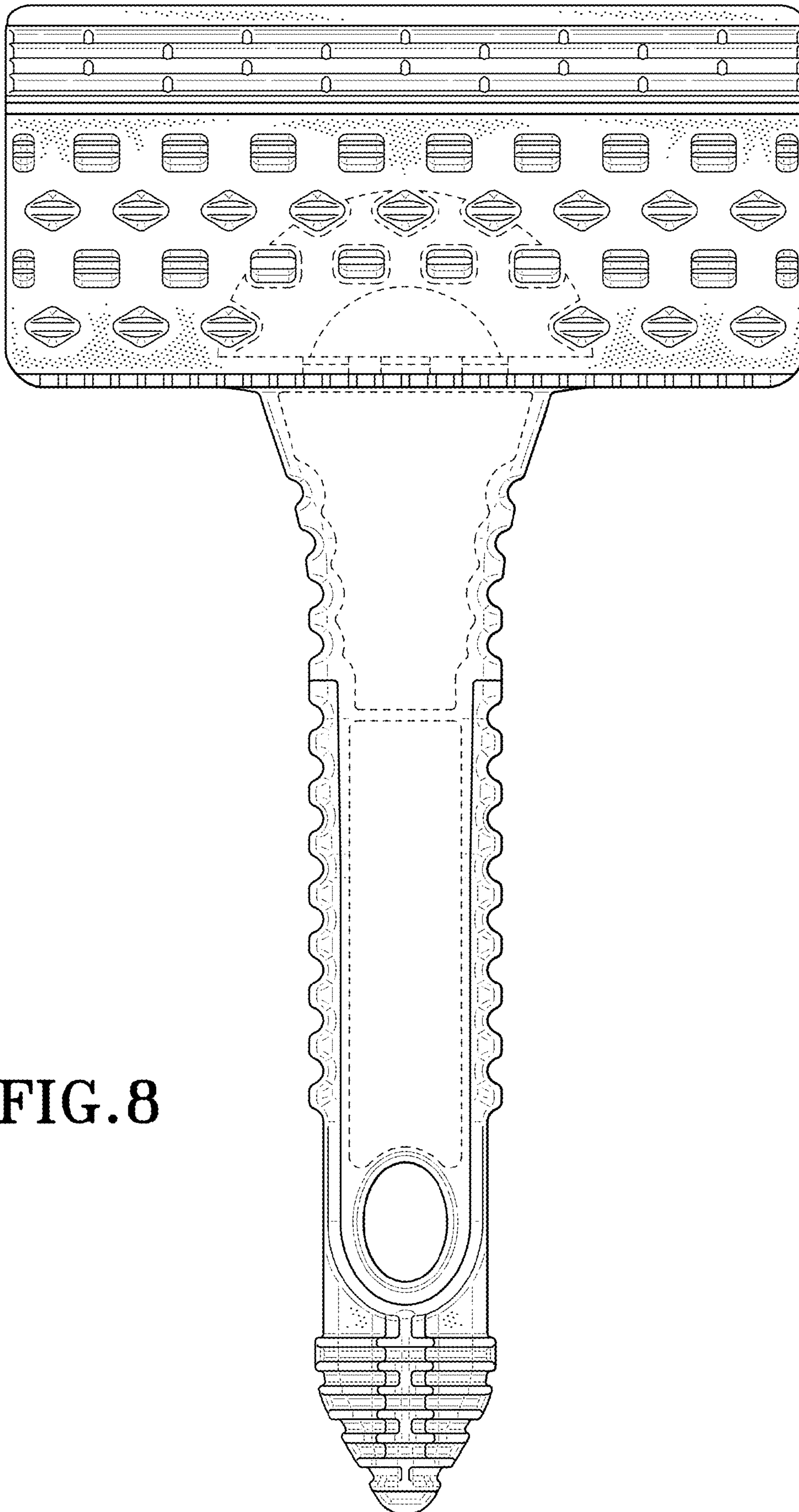


FIG. 8