



US00D974675S

(12) **United States Design Patent**
Huang

(10) **Patent No.:** **US D974,675 S**
(45) **Date of Patent:** **** Jan. 3, 2023**

- (54) **DOG HARNESS**
- (71) Applicant: **Shun Huang**, Shenzhen (CN)
- (72) Inventor: **Shun Huang**, Shenzhen (CN)
- (**) Term: **15 Years**
- (21) Appl. No.: **29/789,498**
- (22) Filed: **Sep. 27, 2021**
- (51) **LOC (14) Cl.** **30-04**
- (52) **U.S. Cl.**
USPC **D30/152**
- (58) **Field of Classification Search**
USPC D30/144, 145, 151, 152; D29/101.1,
D29/101.3, 101.4, 101.5; D24/190
CPC A01K 27/002
See application file for complete search history.

(56) **References Cited**

U.S. PATENT DOCUMENTS

D816,919	S	5/2018	Drinkwater	
D816,920	S	5/2018	Drinkwater	
D883,577	S *	5/2020	Neal	D29/101.3
D886,395	S *	6/2020	Han	D30/152
D893,811	S *	8/2020	Wu	D30/152
D896,449	S *	9/2020	Dang	D30/152
D908,980	S *	1/2021	Li	D30/152
D911,631	S *	2/2021	Stouder	D30/152
D912,912	S *	3/2021	Chen	D30/152
D916,395	S	4/2021	Pan	
D933,312	S *	10/2021	Sebö	D30/152
2010/0199927	A1 *	8/2010	Cigard	A01K 27/002 119/850
2019/0124890	A1 *	5/2019	Kath	A01K 1/0263
2020/0113728	A1 *	4/2020	Spector	A01K 27/002
2020/0245592	A1 *	8/2020	Wagner	A01K 27/005
2020/0404887	A1 *	12/2020	Akenhead	A01K 1/0263

OTHER PUBLICATIONS

“IceFang: Tactical Molle Harness, No-Pull”. Found online Apr. 15, 2022 at amazon.com. Reference dated May 23, 2020. Retrieved

from <https://www.amazon.com/ICEFANG-Tactical-Harness-Training-Attachment/dp/B08JPR8BP8?th=1>.
*
“RabbitGoo: Tactical Molle Harness, No-Pull”. Found online Apr. 20, 2022 at amazon.com. Reference dated Dec. 2, 2019. Retrieved from <https://www.amazon.com/rabbitgoo-Tactical-Military-Adjustable-31-5-41-3/dp/B0828PFJLY/>.
*
“ThinkPet: No-Pull Breathable Sport-Dog Harness”. Found online Dec. 28, 2021 at amazon.co.uk. Reference dated Jul. 19, 2018. Retrieved from <https://www.amazon.co.uk/dp/B07FN4HNXM/>.
*
“Patriot Outfitters: Condor Ops Chest Rig (Molle)”. Found online Apr. 15, 2022 at patriotoutfitters.com. Reference dated May 14, 2015. Retrieved from <https://www.patrioutfitters.com/condor-ops-chest-rig?PMWTNO=000000000003058&PMSRCH=>.
*
* cited by examiner

Primary Examiner — Kendra Leslie Hamilton
(74) *Attorney, Agent, or Firm* — Rumit Ranjit Kanakia

(57) **CLAIM**

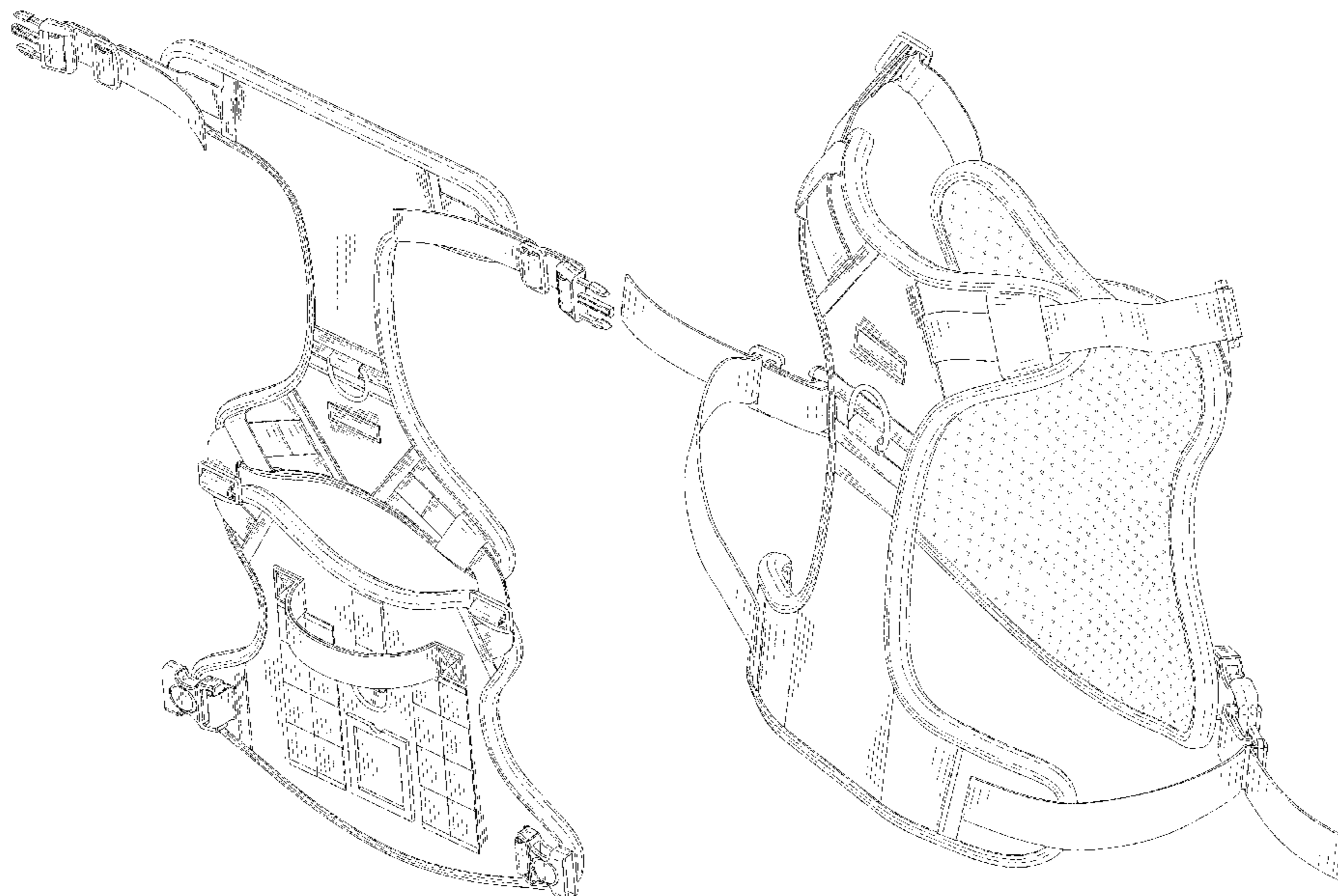
The ornamental design for a dog harness, as shown and described.

DESCRIPTION

FIG. 1 is a top perspective view of a dog harness showing my new design in a first configuration;
FIG. 2 is a bottom perspective view thereof;
FIG. 3 is a top plan view thereof;
FIG. 4 is a bottom plan view thereof
FIG. 5 is a left side elevation view thereof;
FIG. 6 is a right side elevation view thereof
FIG. 7 is a front elevation view thereof;
FIG. 8 is a rear elevation view thereof;
FIG. 9 is a bottom perspective view of the dog harness of FIG. 1, shown in a second configuration; and,
FIG. 10 is an enlarged view of a detail of the dog harness, identified in FIG. 2.

In the drawings, the broken lines depict portions of the dog harness that form no part of the claimed design.

1 Claim, 10 Drawing Sheets



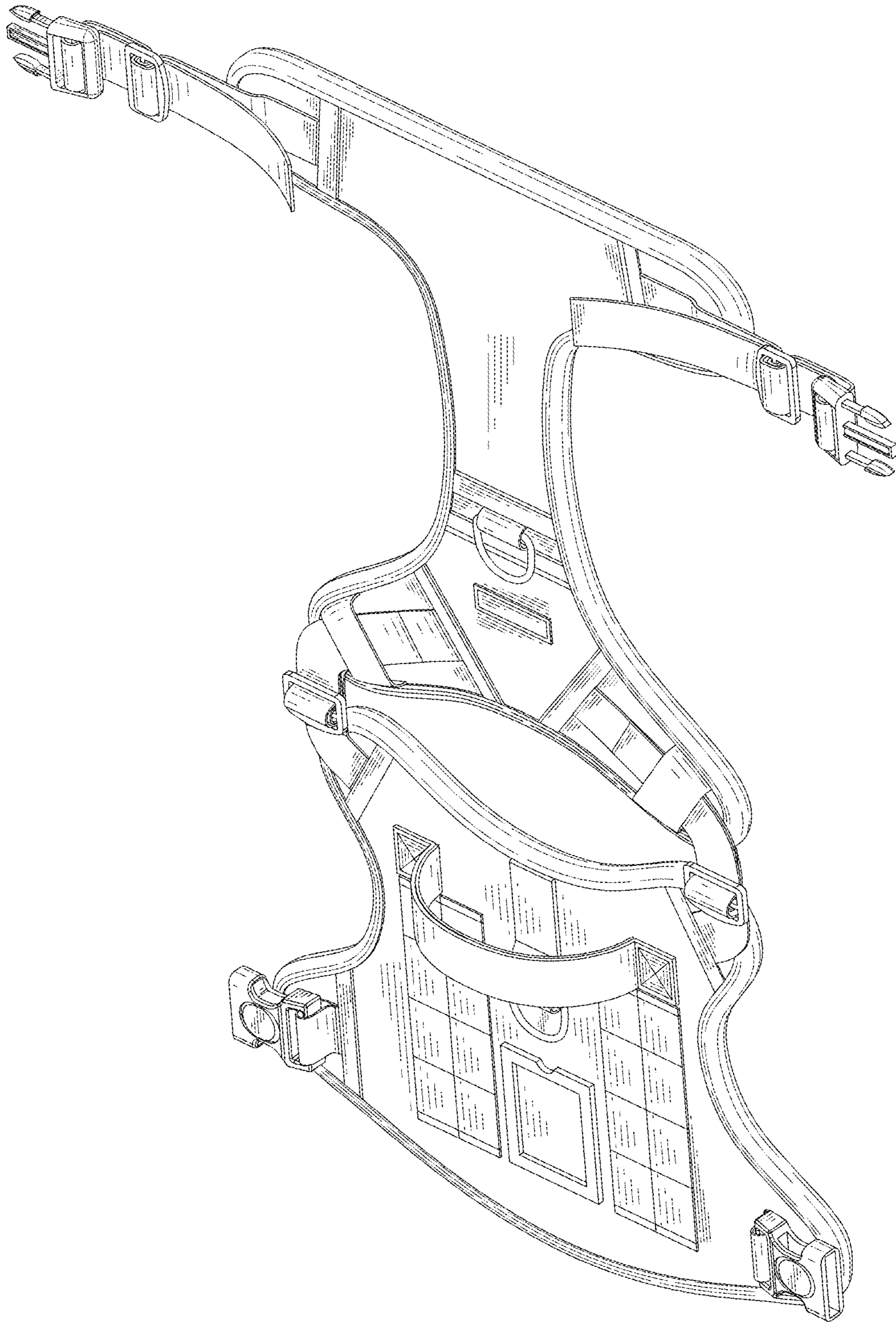


FIG. 1

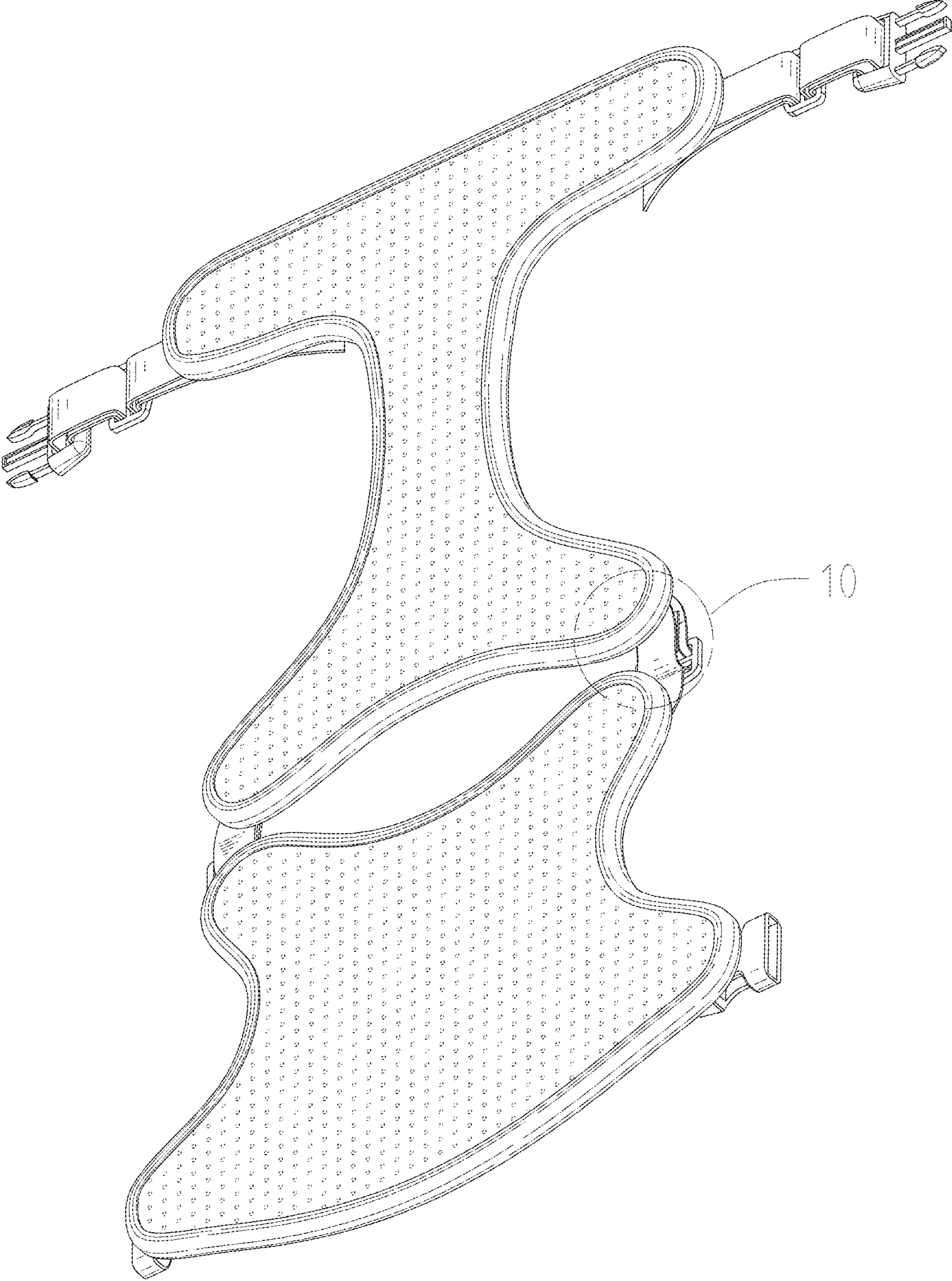


FIG. 2

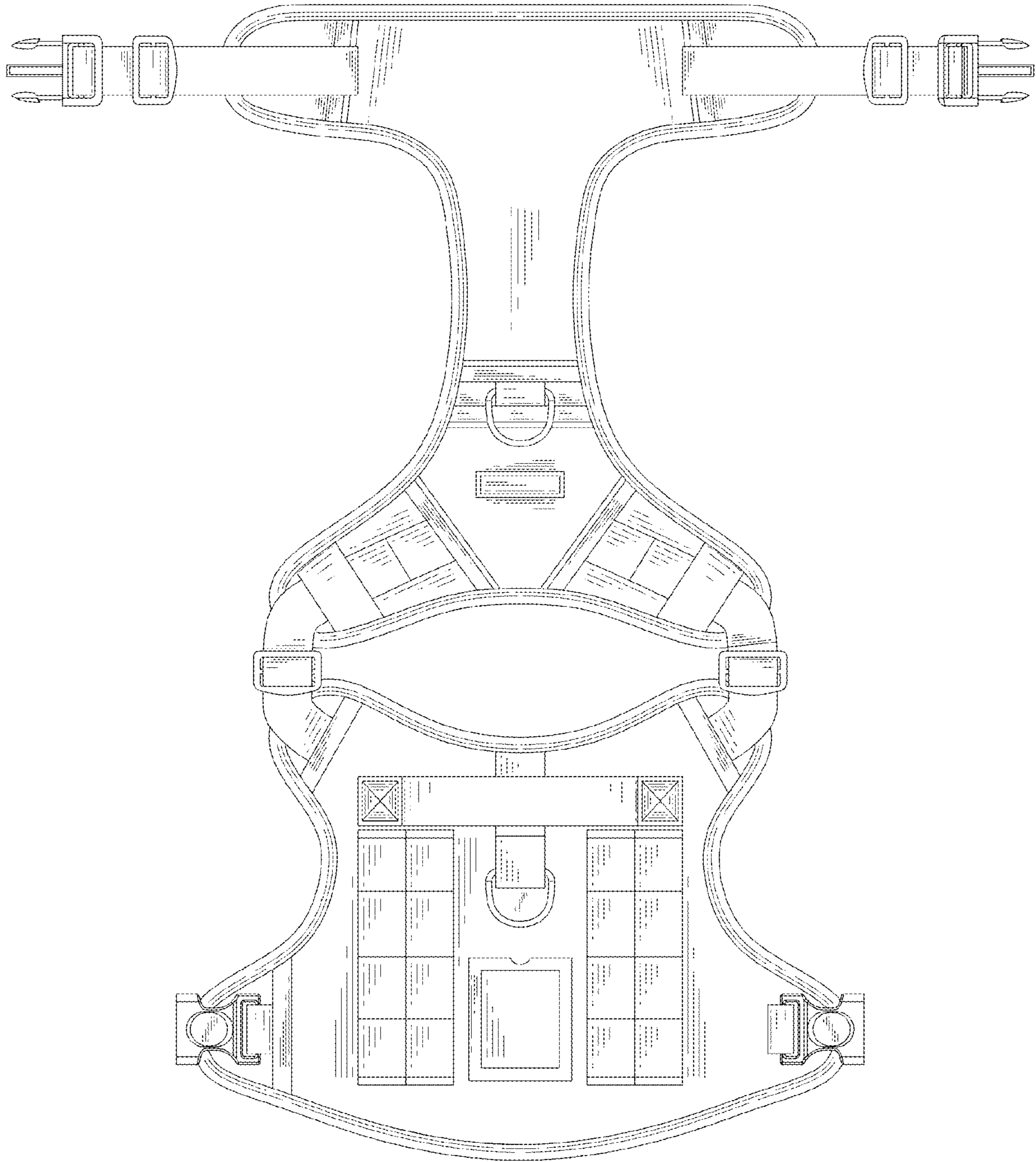


FIG. 3

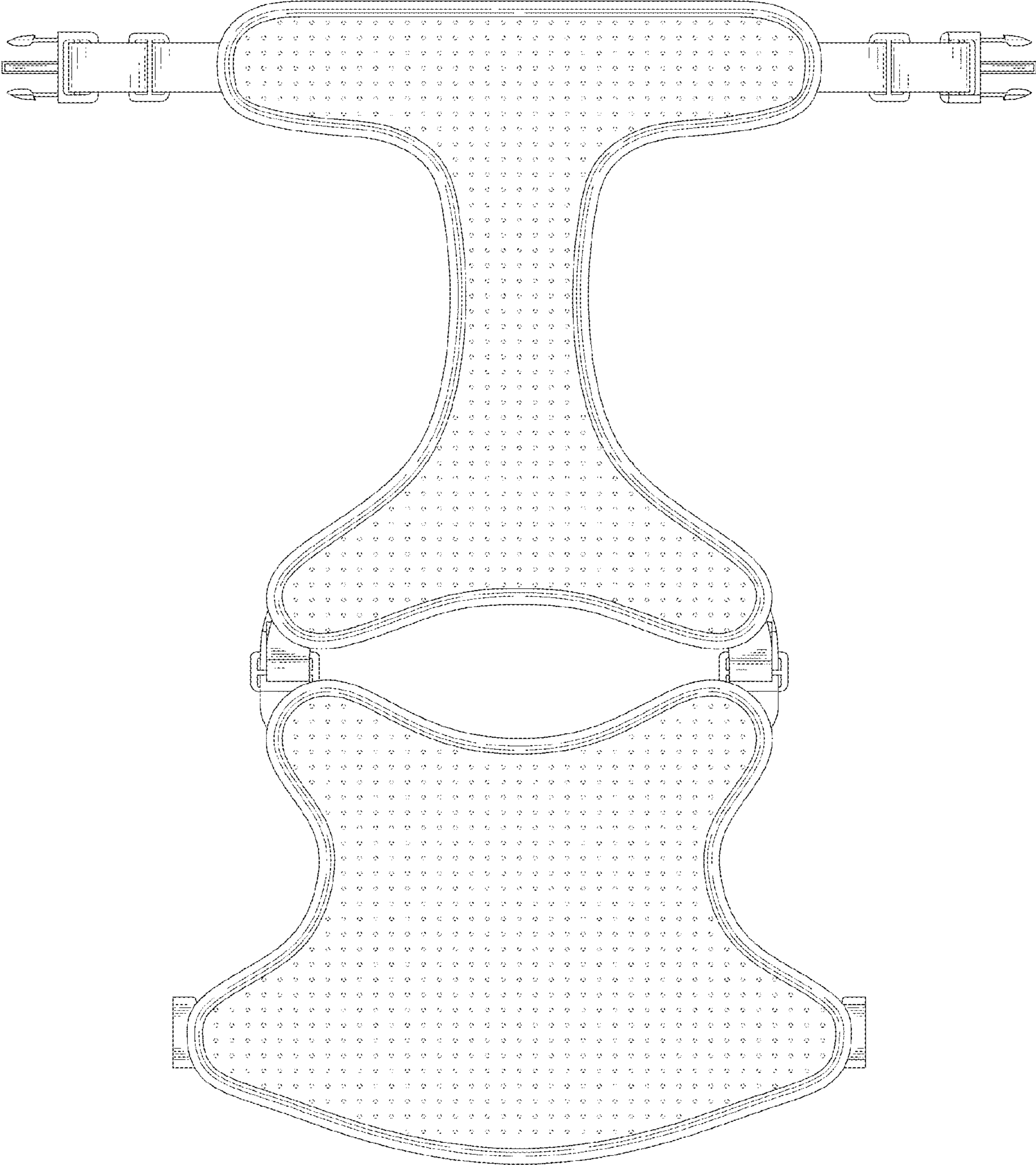


FIG. 4

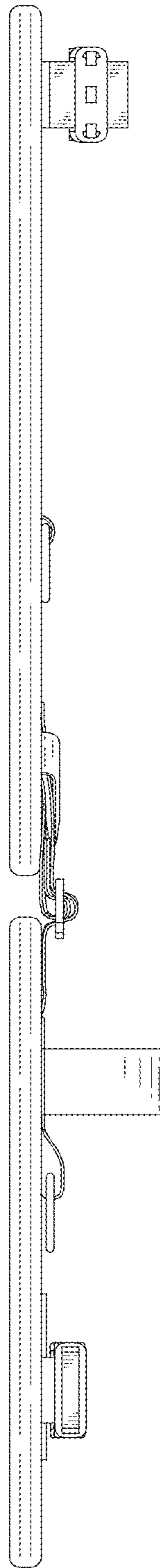


FIG. 5

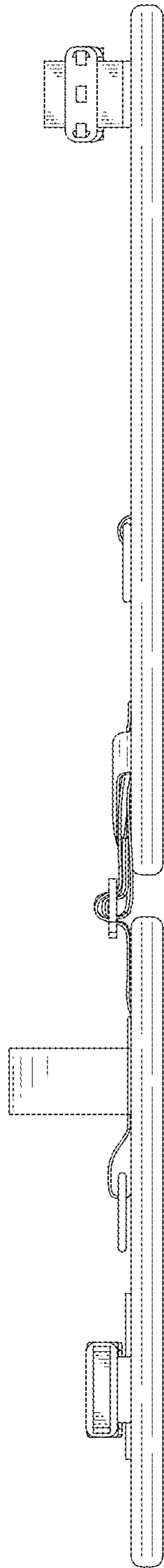


FIG. 6

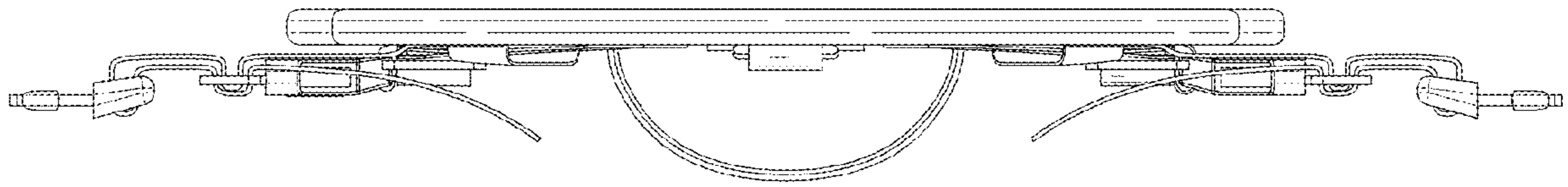


FIG. 7

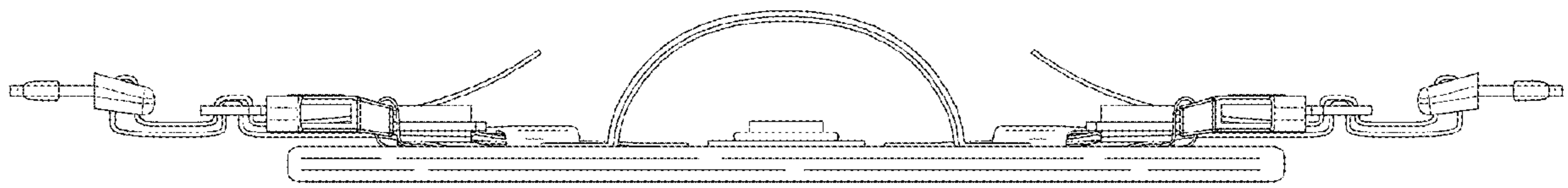


FIG. 8

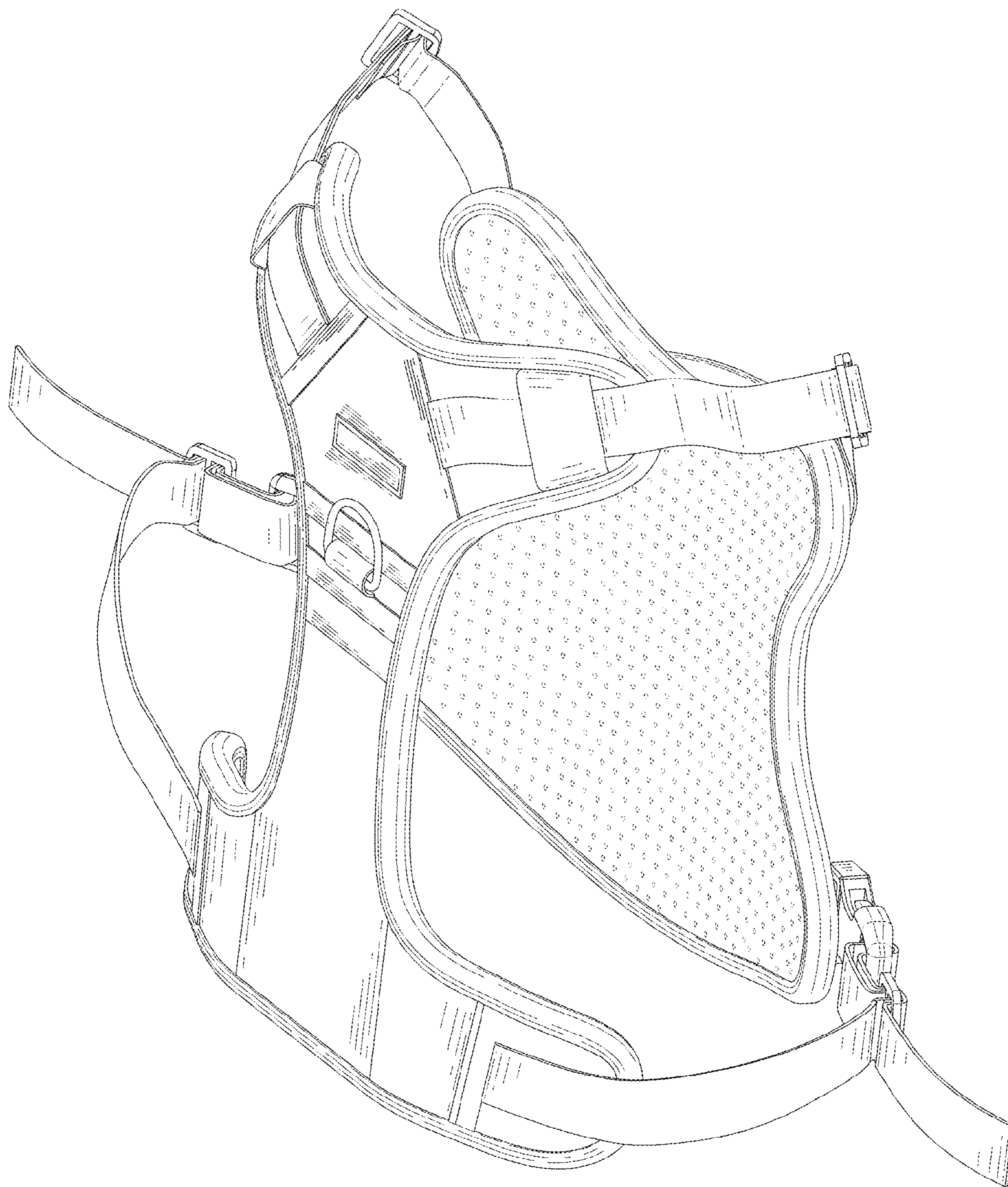


FIG. 9

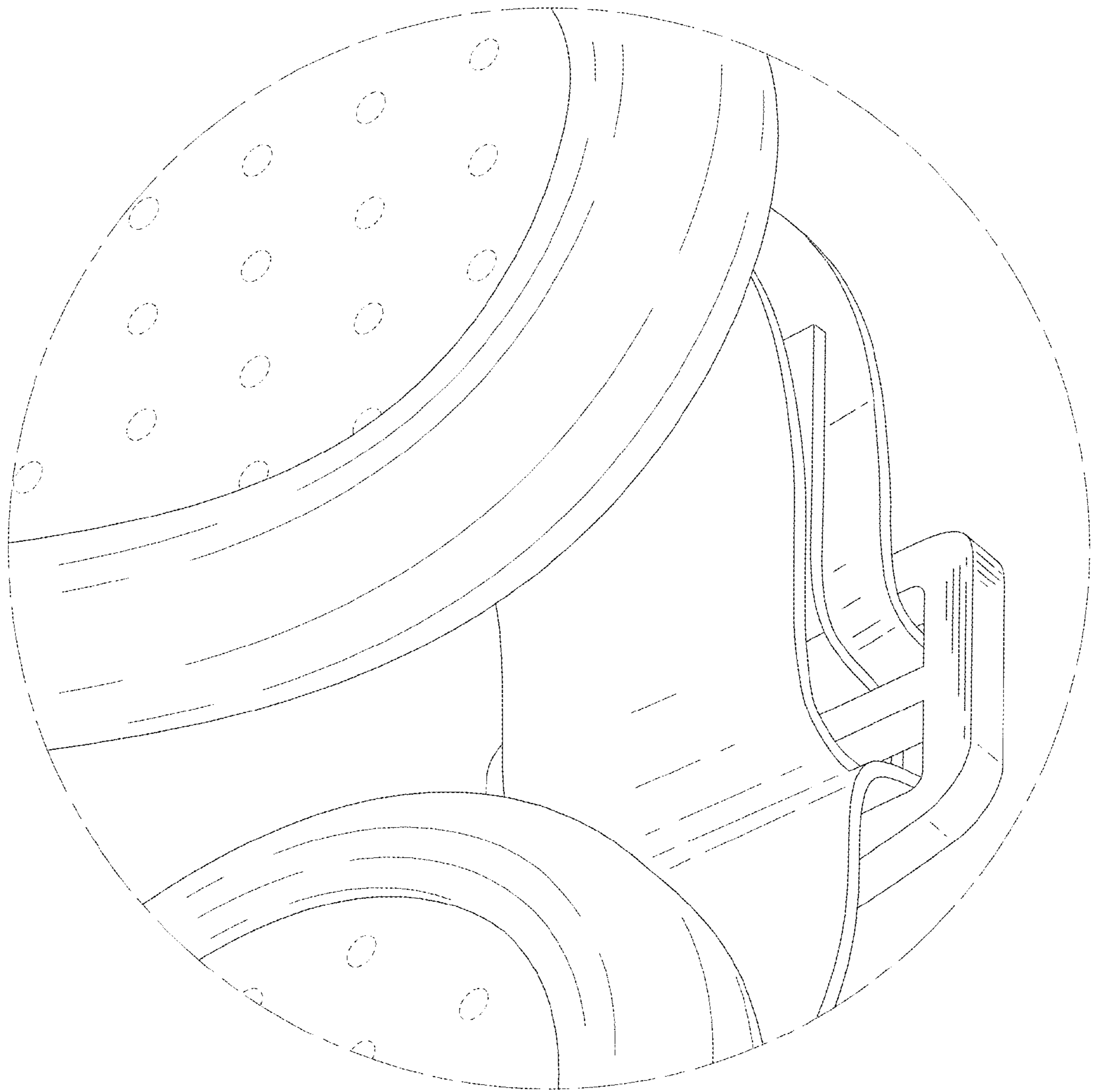


FIG. 10