



US00D974670S

(12) **United States Design Patent**
Hanudel et al.

(10) **Patent No.:** **US D974,670 S**
(45) **Date of Patent:** **** Jan. 3, 2023**

(54) **HELMET ACCESSORY MOUNTING SYSTEM**

FOREIGN PATENT DOCUMENTS

(71) Applicant: **Gentex Corporation**, Simpson, PA (US)

CN 302271833 1/2013
CN 302718619 1/2014

(Continued)

(72) Inventors: **Matthew Hanudel**, Dedham, MA (US); **Michael Lawrence Franzino**, Bedford, NH (US); **Stephen Bourque**, Littleton, MA (US); **Scott W. James**, Epping, NH (US); **Daniel Berry**, Rochester, NH (US); **Nathan Winters**, Merrimack, NH (US); **Zoltan S. Brutler**, Groton, MA (US); **Ross Fade Barber**, Auburn, NH (US)

OTHER PUBLICATIONS

DLP Tactical Helmets, Copyright 2020, DLP Tactical, Accessed on May 21, 2020 [https://www.dlptactical.com/collections/helmets], 14 pages.

(Continued)

(73) Assignee: **GENTEX CORPORATION**, Simpson, PA (US)

Primary Examiner — Kimberly Barnes

(74) *Attorney, Agent, or Firm* — Morgan, Lewis & Bockius LLP

(**) Term: **15 Years**

(57) **CLAIM**

(21) Appl. No.: **29/819,669**

The ornamental design for a helmet accessory mounting system, as shown and described.

(22) Filed: **Dec. 16, 2021**

Related U.S. Application Data

DESCRIPTION

(63) Continuation of application No. 29/783,551, filed on May 13, 2021, now Pat. No. Des. 955,661, and a (Continued)

(51) **LOC (14) Cl.** **02-99**

(52) **U.S. Cl.**
USPC **D29/122**

(58) **Field of Classification Search**
USPC D29/102–110, 122
(Continued)

FIG. 1 is a front perspective view of a helmet accessory mounting system showing our new design; FIG. 2 is a rear perspective view thereof; FIG. 3 is a front elevational view thereof; FIG. 4 is a rear elevational view thereof; FIG. 5 is a right-side view thereof; FIG. 6 is a left-side elevational view thereof; FIG. 7 is a top plan view thereof; and, FIG. 8 is a bottom plan view thereof.

The broken lines depicting a helmet shell and shroud represent environmental subject matter that forms no part of the claimed design. The remaining broken lines depict features of the helmet accessory mounting system that form no part thereof.

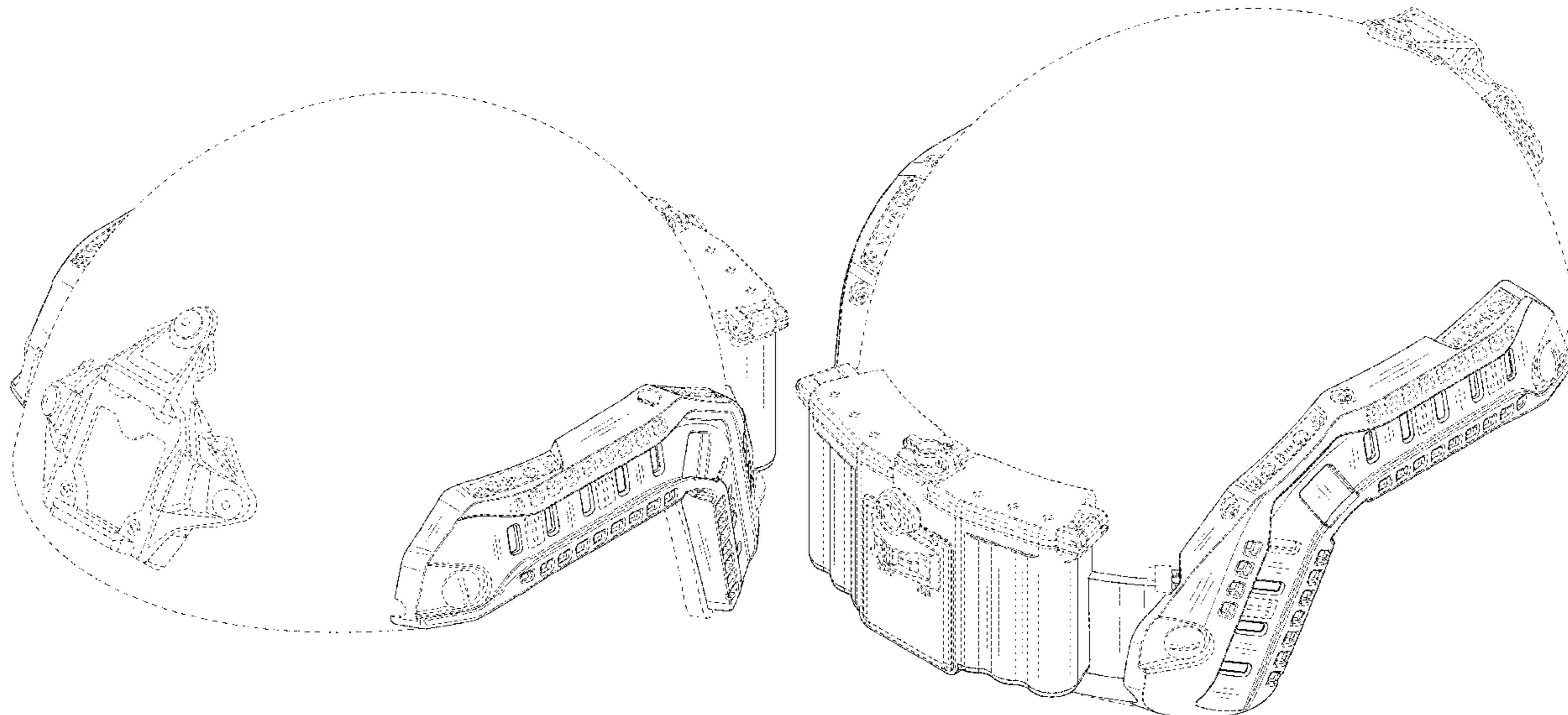
(56) **References Cited**

U.S. PATENT DOCUMENTS

D202,539 S 10/1965 Webb et al.
4,077,007 A 2/1978 McKinney

(Continued)

1 Claim, 8 Drawing Sheets



Related U.S. Application Data

continuation of application No. 29/752,259, filed on Sep. 25, 2020, now Pat. No. Des. 922,693, which is a continuation of application No. 29/735,709, filed on May 22, 2020, now Pat. No. Des. 900,407.

(58) **Field of Classification Search**

CPC A42B 3/04; A42B 3/0406; A42B 3/0433; A42B 3/0453; A42B 3/228; A42B 3/30; A42B 3/042; A42B 3/046; A41D 13/11; A41D 13/1161; A41D 13/1184; F41H 1/04; F41H 1/06; F41H 1/08

See application file for complete search history.

(56) **References Cited**

U.S. PATENT DOCUMENTS

5,736,808	A	4/1998	Szilagyi et al.
6,101,256	A	8/2000	Steelman
D527,846	S	9/2006	Isenbarger
D581,099	S	11/2008	Ahn et al.
D601,307	S	9/2009	Izquierdo Mediavilla
D635,305	S	3/2011	Lebel et al.
D638,168	S	5/2011	Lebel et al.
D638,169	S	5/2011	Lebel et al.
8,984,665	B2	3/2015	Celona et al.
D750,846	S	3/2016	Noordzij et al.
D750,847	S	3/2016	Noordzij et al.
D766,521	S	9/2016	Hanudel
D774,704	S	12/2016	Hancock et al.
D777,379	S	1/2017	Mullins et al.
D782,123	S	3/2017	Lebel et al.
D782,124	S	3/2017	Lebel et al.
9,622,529	B2	4/2017	Teetzel et al.
D788,377	S	5/2017	Hanudel
D788,379	S	5/2017	Hancock et al.
D794,256	S	8/2017	Hancock et al.
D805,696	S	12/2017	Lebel et al.
D806,318	S	12/2017	Yang
D807,588	S	1/2018	Hancock et al.
D812,817	S	3/2018	Allinson
10,165,817	B2	1/2019	Redpath
D840,605	S	2/2019	O'Connell
D846,810	S	4/2019	Akrapovic
10,281,241	B2	5/2019	Noordzij et al.
D855,258	S	7/2019	O'Connell
10,350,113	B2	7/2019	Le et al.
D866,867	S	11/2019	Devitt
D869,777	S	12/2019	O'Connell
10,507,138	B1	12/2019	Halfaker
D881,380	S	4/2020	Cartwright
10,617,168	B2	4/2020	Winters
D897,608	S	9/2020	Wilson et al.
10,765,165	B2 *	9/2020	O'Connell A42B 3/04
D900,407	S	10/2020	Hanudel
11,337,484	B2 *	5/2022	Barber A42B 1/24

D955,661	S *	6/2022	Hanudel D29/122
11,350,689	B2 *	6/2022	Frieder, III A42B 3/185
11,419,382	B2 *	8/2022	Teetzel A42B 3/044
11,452,328	B2 *	9/2022	Franzino H02J 7/0044
2015/0189939	A1	7/2015	Roberts
2015/0245682	A1	9/2015	McGinn et al.
2017/0150769	A1	6/2017	Lebel et al.
2018/0092426	A1	4/2018	Hall et al.
2019/0101359	A1	4/2019	Zimmer
2019/0208854	A1	7/2019	Teetzel et al.
2019/0231016	A1	8/2019	Deshpande et al.
2019/0320753	A1	10/2019	Le et al.
2019/0365009	A1	12/2019	Frieder, III
2019/0372268	A1	12/2019	Sitbon et al.
2020/0077732	A1	3/2020	O'Connell et al.
2021/0030097	A1	2/2021	Morgan
2021/0030098	A1 *	2/2021	O'Connell A42B 3/042
2021/0244122	A1 *	8/2021	O'Connell A42B 3/063
2022/0071336	A1 *	3/2022	Franzino A42B 3/04

FOREIGN PATENT DOCUMENTS

CN	302755116	3/2014
CN	303092194	2/2015
CN	304754685	8/2018
CN	304785392	8/2018
CN	304840902	10/2018
CN	304954523	12/2018
CN	304954524	12/2018
CN	304960249	12/2018
CN	305206019	6/2019
CN	305206020	6/2019
CN	305719310	4/2020

OTHER PUBLICATIONS

The Flux Helmet System, Mtek USA, Accessed on May 21, 2020 [<https://www.mtekusa.com/#flux>], 24 pages.

Galvion Helmets, Galvion, Accessed on May 21, 2020, [<https://www.galvion.com/collections/helmets>], 7 pages.

OPS-Core 2012 Product Catalog, OPS-Core, Inc., 23 pages.

OPS-Core 2013 Product Catalog, OPS-Core, Inc., 23 pages.

Helmet Systems, Capability Upgrades & Accessories, Gentex Corporation, Copyright 2020, Accessed May 21, 2020 [<https://shop.gentexcorp.com/helmet-systems-capability-upgrades-accessories/>], 4 pages.

3M™ Ballistic Helmets, 3M, Copyright 2020, Accessed on May 21, 2020 [https://www.3m.com/3M/en_US/company-us/all-3m-products/~/All-3M-Products/Manufacturing/Defense/Advanced-Materials/Defense-Protection-Systems/Ballistic-Helmets/?N=5002385+8709320+8709345+8710729+8711017+8719564+8745513+3294857497&rt=r3].

Layouts in Flutter (on-line), dated Mar. 30, 2019. Retrieved from Internet Feb. 4, 2021, URL: <https://web.archive.org/web/20190330203206/https://flutter.dev/docs/development/ui/layout> (2 pages) (Year: 2019).

* cited by examiner

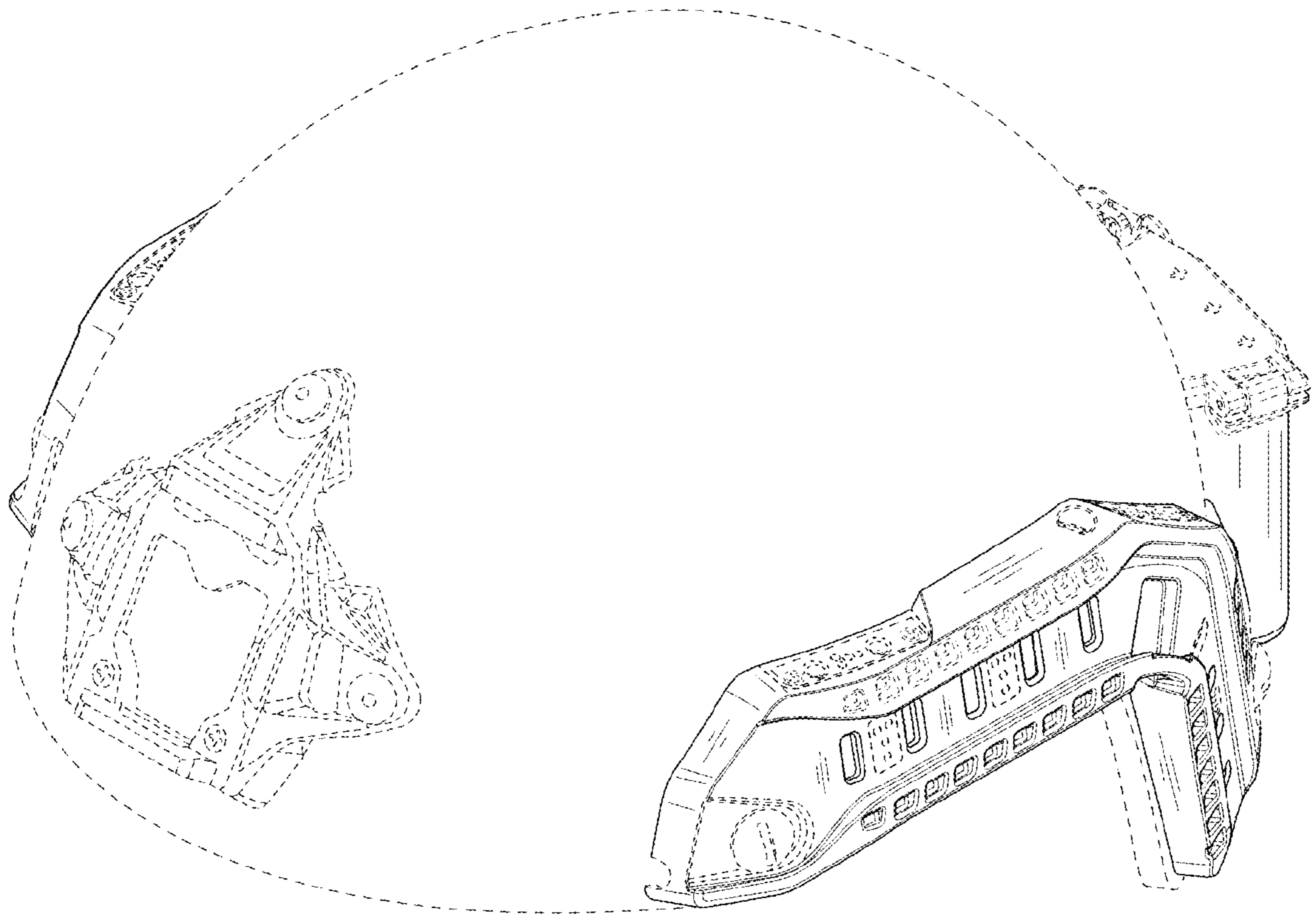


FIG. 1

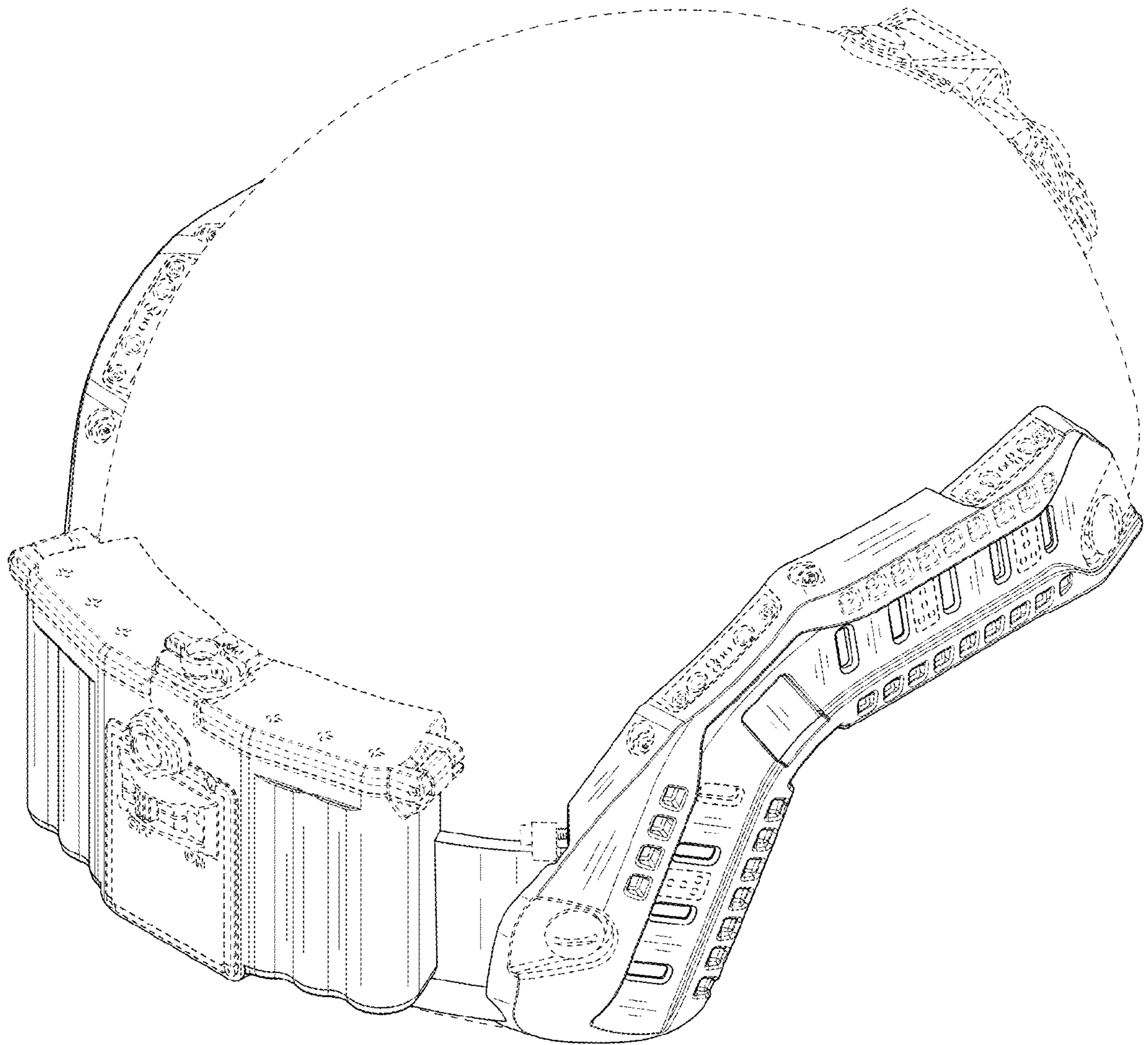


FIG. 2

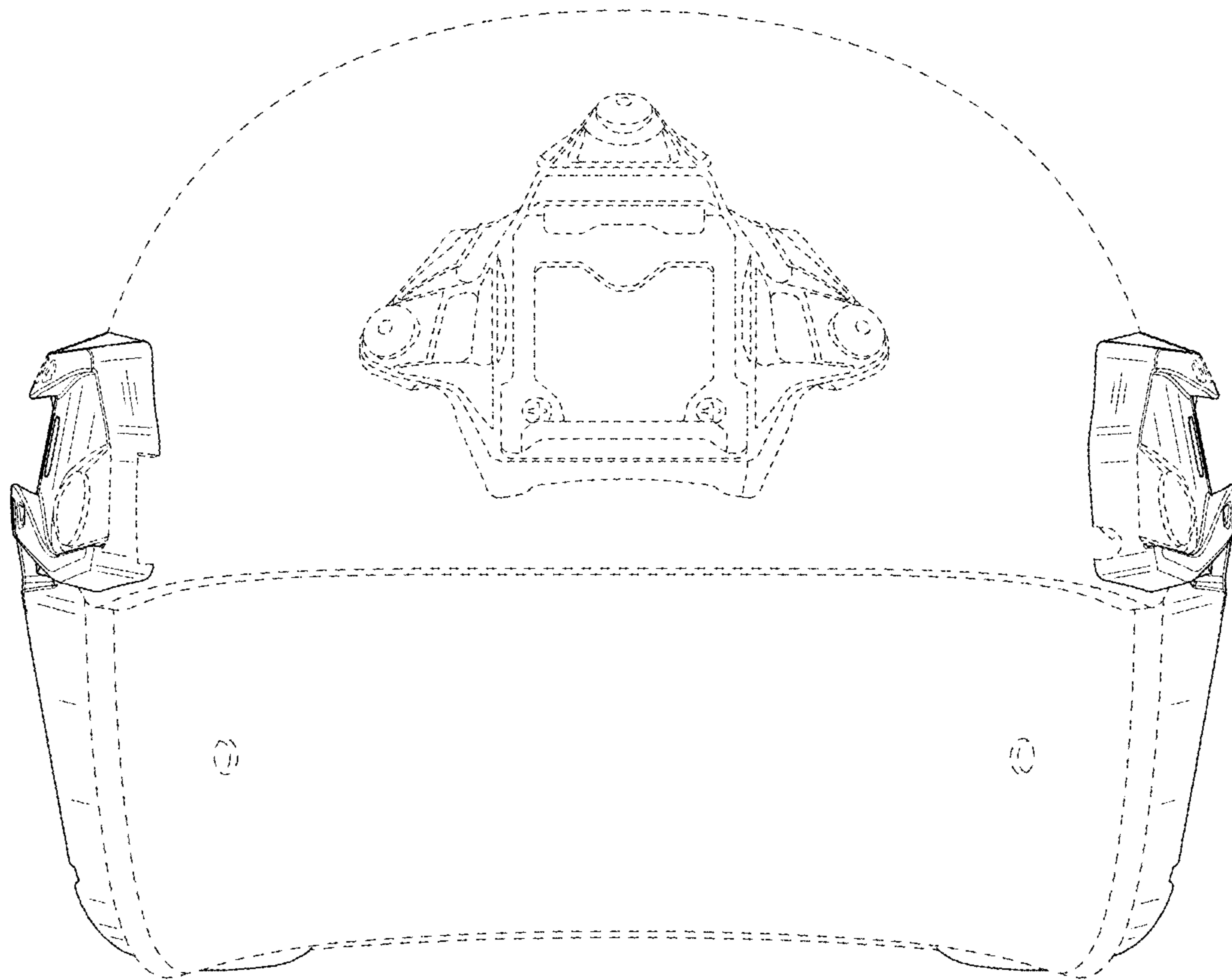


FIG. 3

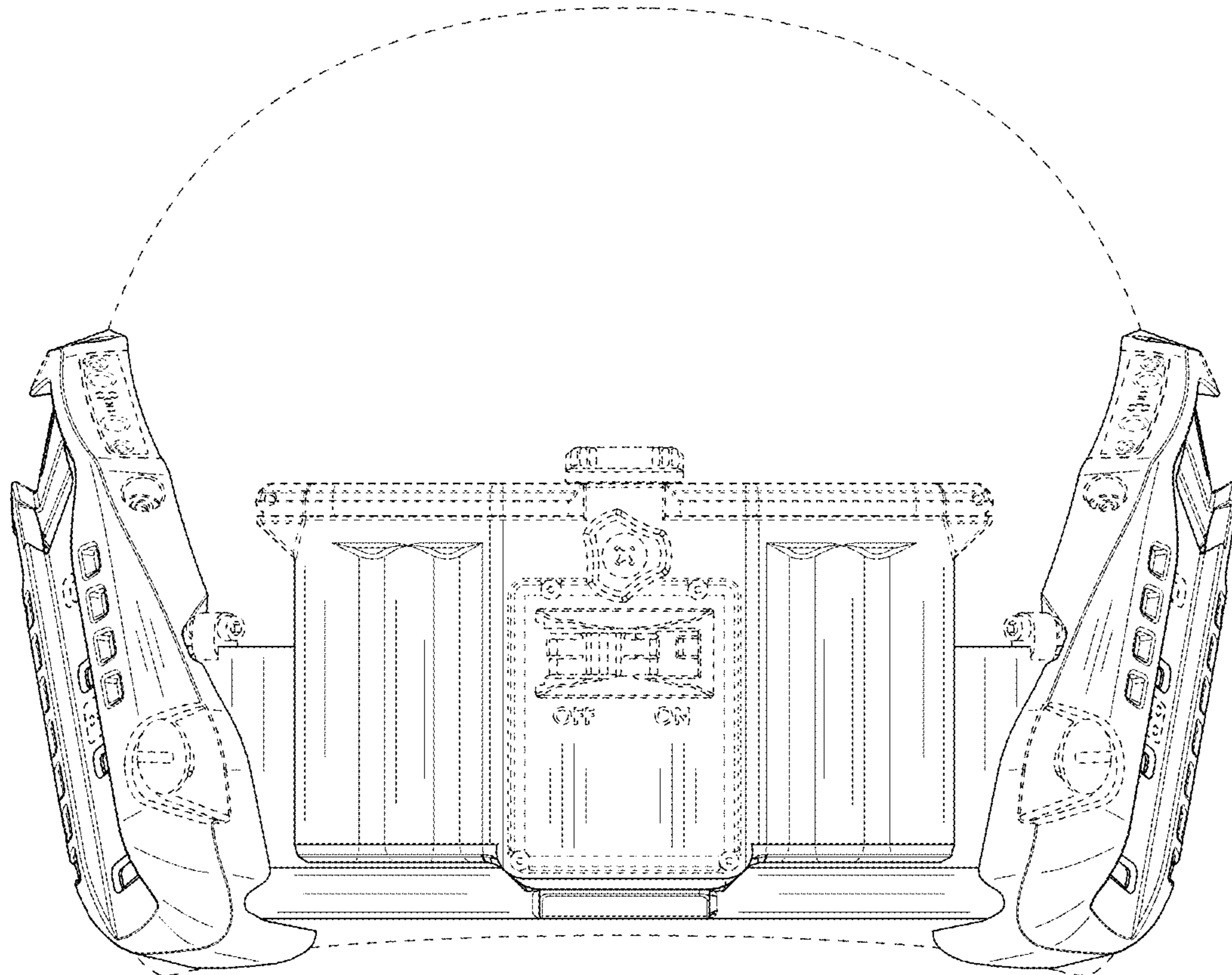


FIG. 4

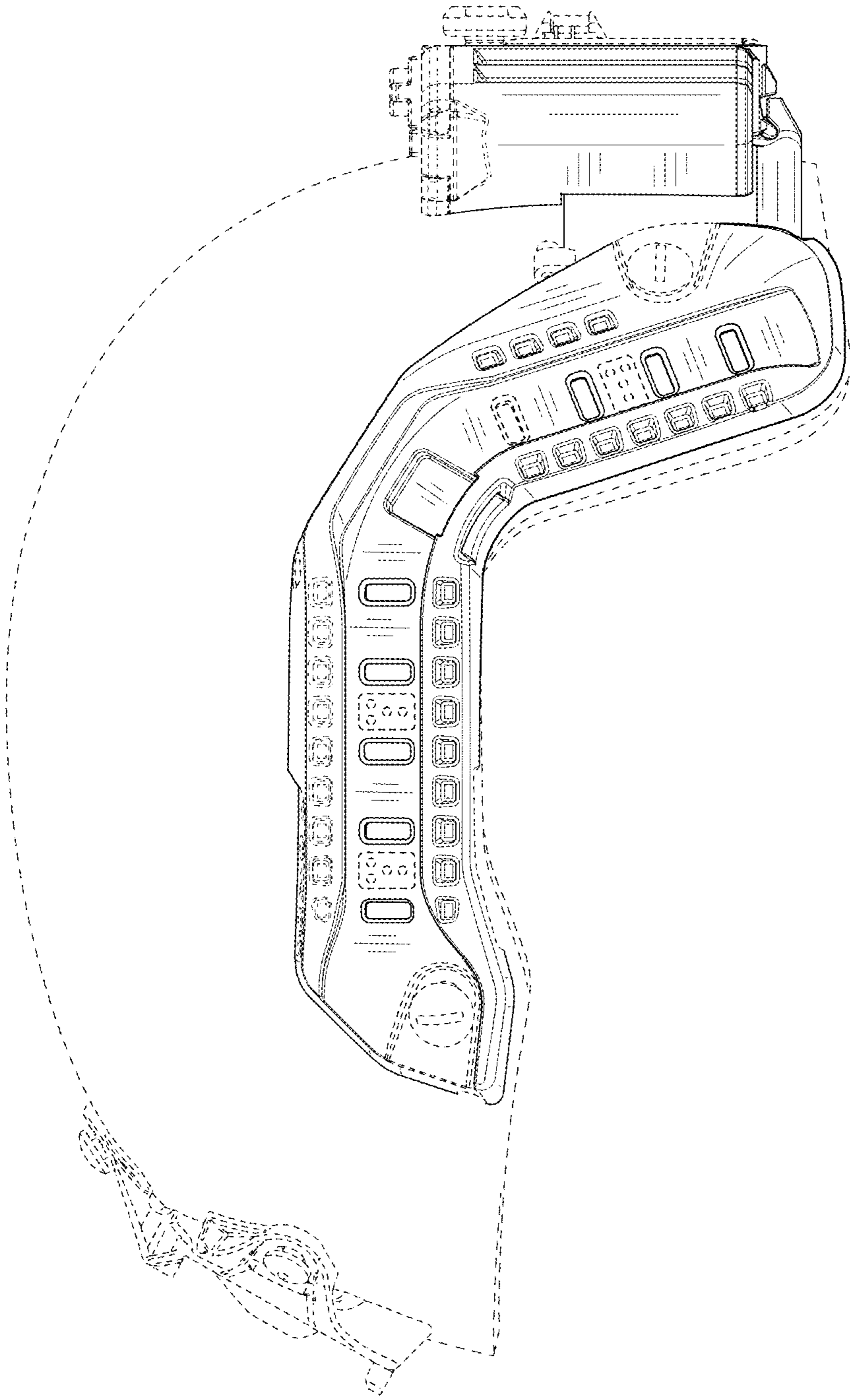


FIG. 5

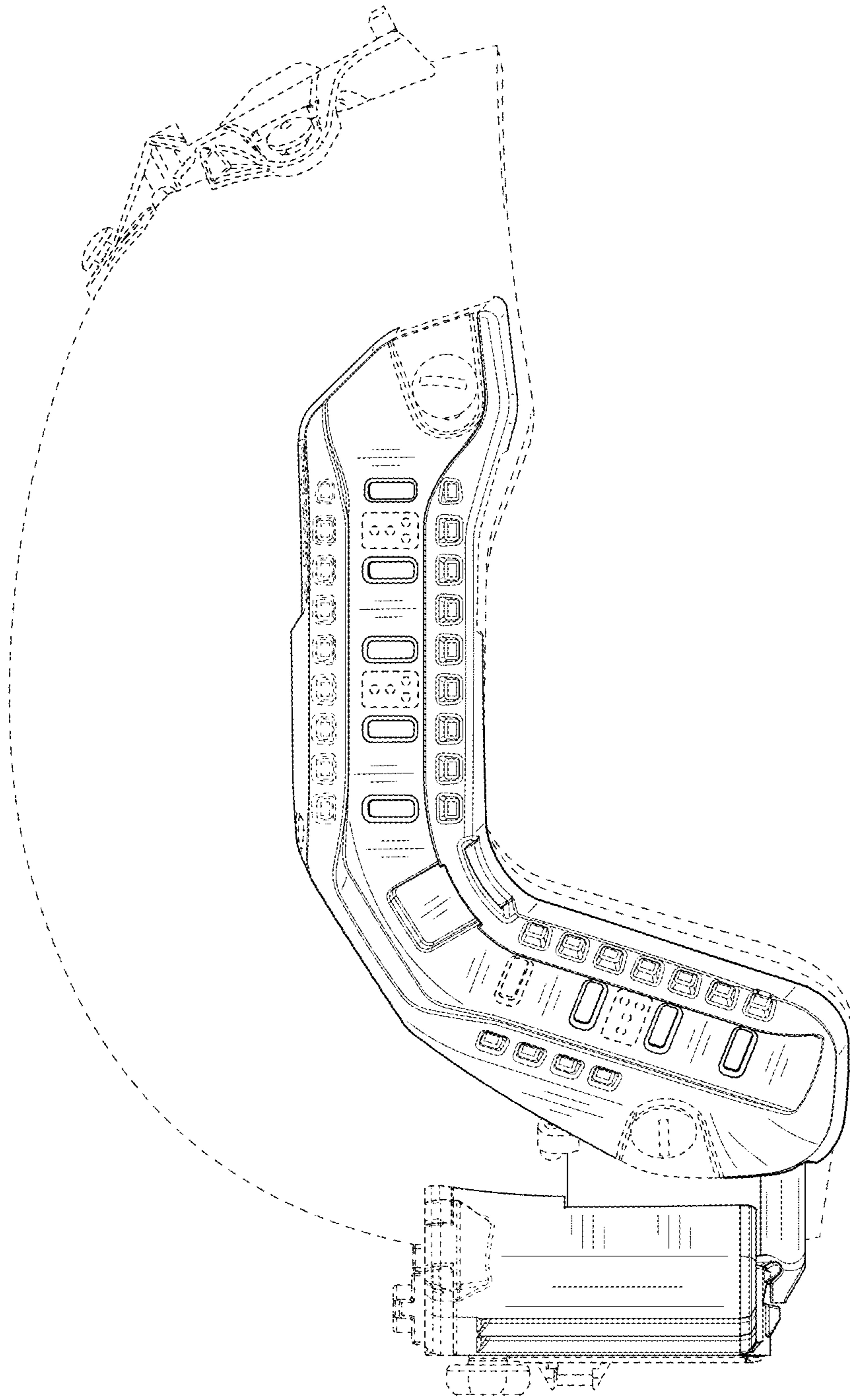


FIG. 6

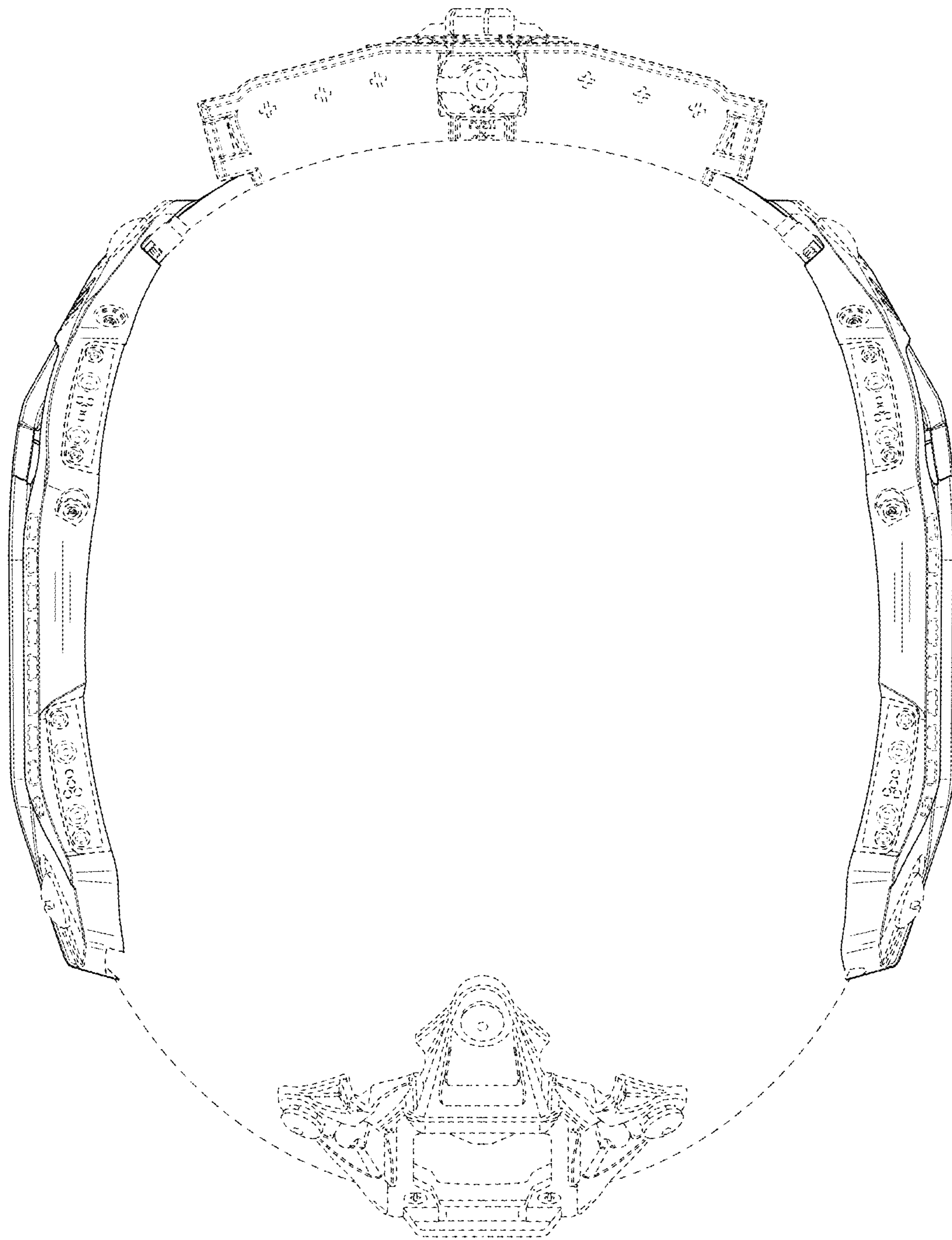


FIG. 7

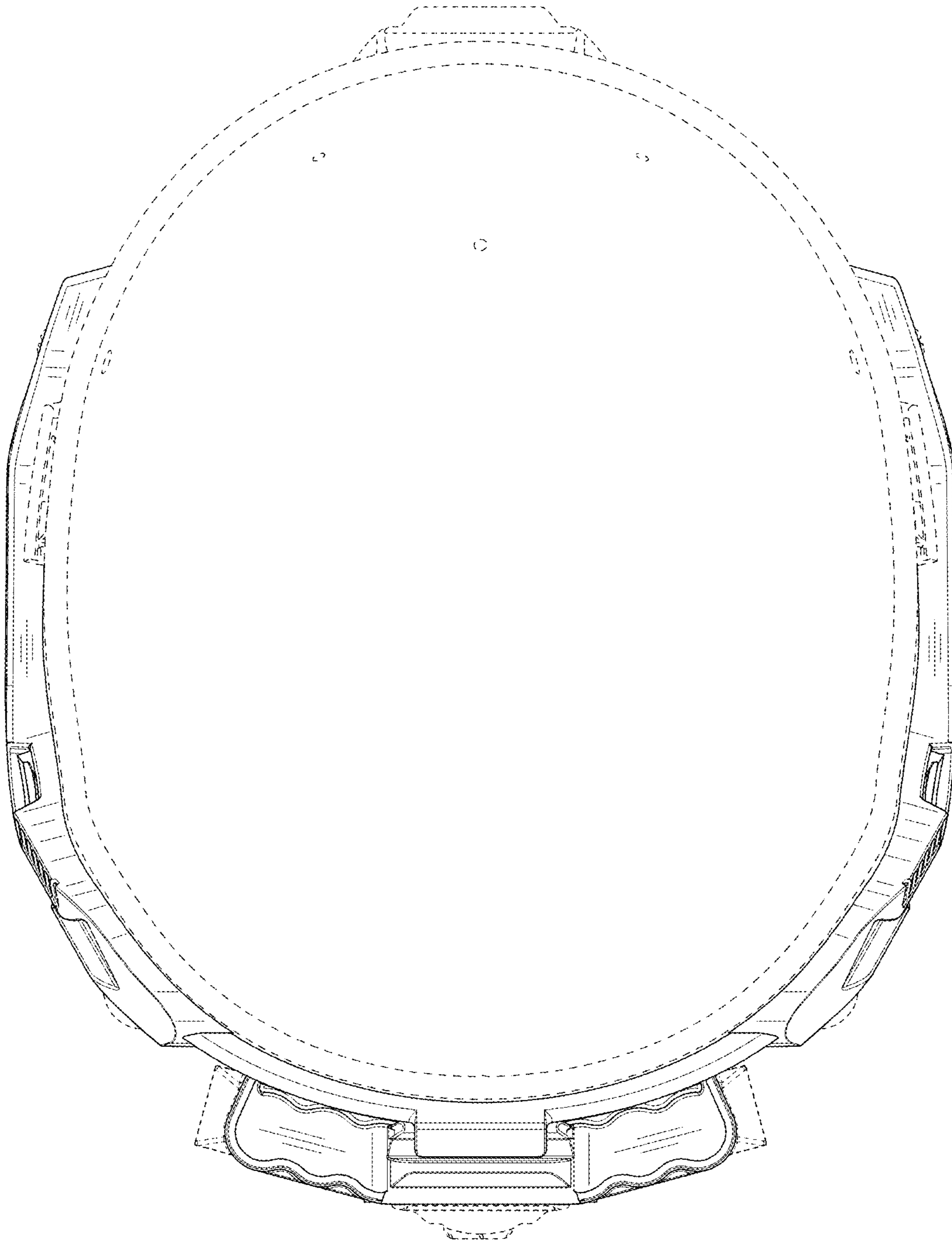


FIG. 8