



US00D974661S

(12) **United States Design Patent** (10) **Patent No.:** **US D974,661 S**
Vasse et al. (45) **Date of Patent:** **** Jan. 3, 2023**

(54) **MAKEUP CASE**

(71) Applicant: **YVES SAINT LAURENT PARFUMS,**
Paris (FR)

(72) Inventors: **Pauline Vasse,** Clichy (FR); **Bertrand Laforge,** Clichy (FR); **Ludovic Calas,** Clichy (FR)

(73) Assignee: **YVES SAINT LAURENT PARFUMS,**
Paris (FR)

(**) Term: **15 Years**

(21) Appl. No.: **29/752,056**

(22) Filed: **Sep. 24, 2020**

(30) **Foreign Application Priority Data**

Mar. 24, 2020 (EM) 007771225-0001
Mar. 24, 2020 (EM) 007771225-0002

(51) **LOC (14) Cl.** **28-03**

(52) **U.S. Cl.**
USPC **D28/83**

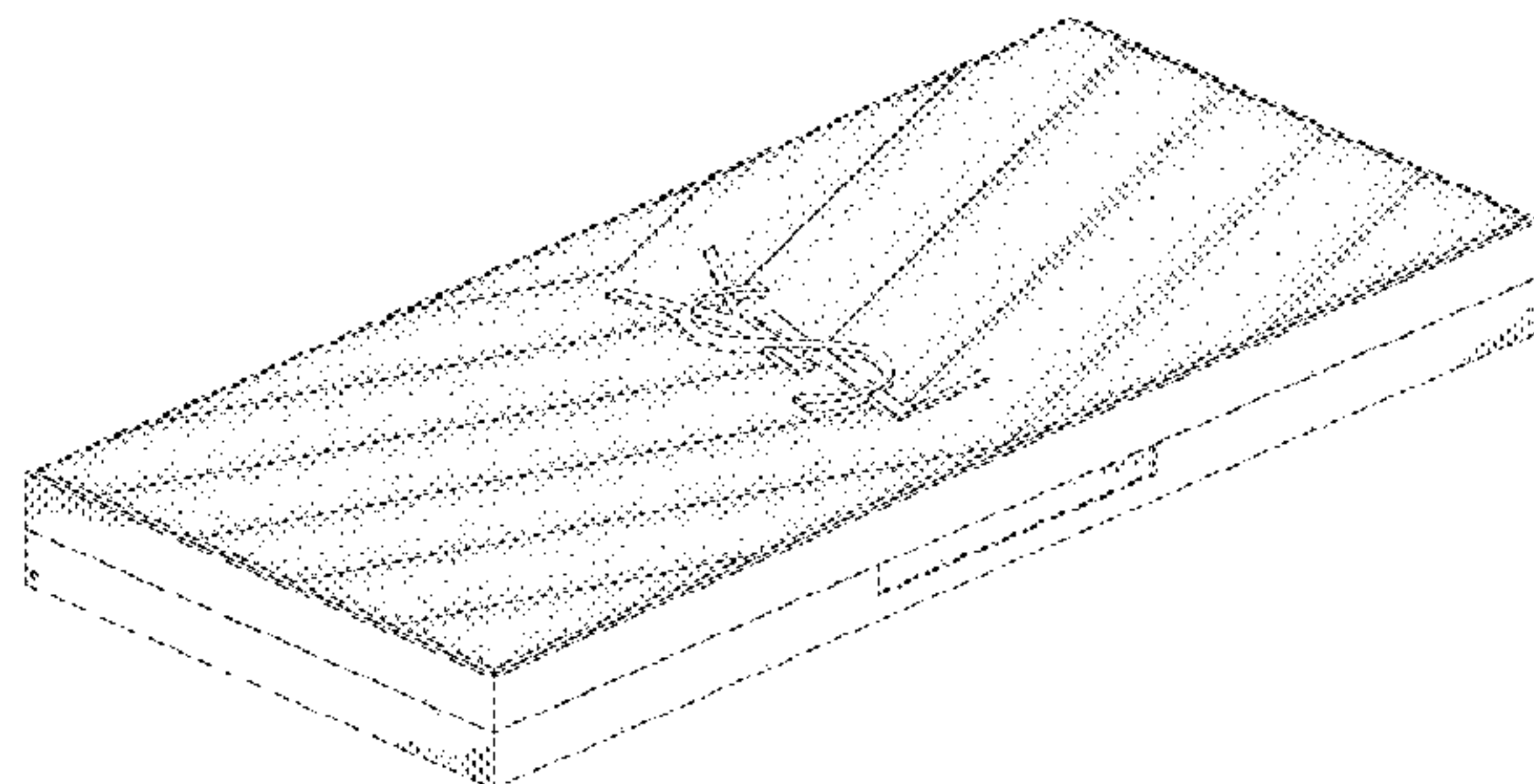
(58) **Field of Classification Search**
USPC D28/73, 76, 77, 78, 81, 83; D9/420;
D3/284, 901, 232
CPC A45D 33/00; A45D 33/003; A45D 33/006;
A45D 33/008; A45D 33/18; A45D 33/20;
A45D 33/22; A45D 33/24; A45D 33/26;
A45D 33/28; A45D 40/00; A45D 40/22;
A45D 40/24; A45D 42/02; A45D
2040/0012
See application file for complete search history.

(56) **References Cited**

U.S. PATENT DOCUMENTS

D303,582 S * 9/1989 Gavin D28/83
D409,801 S * 5/1999 Kim D28/83
D625,992 S * 10/2010 Khan D28/7
8,770,209 B2 * 7/2014 Kim A46B 5/0095
206/823

(Continued)



OTHER PUBLICATIONS

New YSL Couture Colour Clutch . . . [online]; [video published to the internet on Jun. 30, 2020]; [retrieved from the internet on Aug. 8, 2022]; URL:https://www.youtube.com/watch?v=tKvW8ki7KB0 (5 pages). (Year: 2020).*

(Continued)

Primary Examiner — Jasmine Mlinarcik

Assistant Examiner — Victoria A. Rielly

(74) *Attorney, Agent, or Firm* — Edell, Shapiro & Finnan, LLC

(57) **CLAIM**

The ornamental design for a makeup case, as shown and described.

DESCRIPTION

FIG. 1 is a front, left perspective view from above of a makeup case.

FIG. 2 is a rear, right perspective view from below of the makeup case of FIG. 1.

FIG. 3 is a front elevation view of the makeup case of FIG. 1.

FIG. 4 is a rear elevation view of the makeup case of FIG. 1.

FIG. 5 is a left side elevation view of the makeup case of FIG. 1.

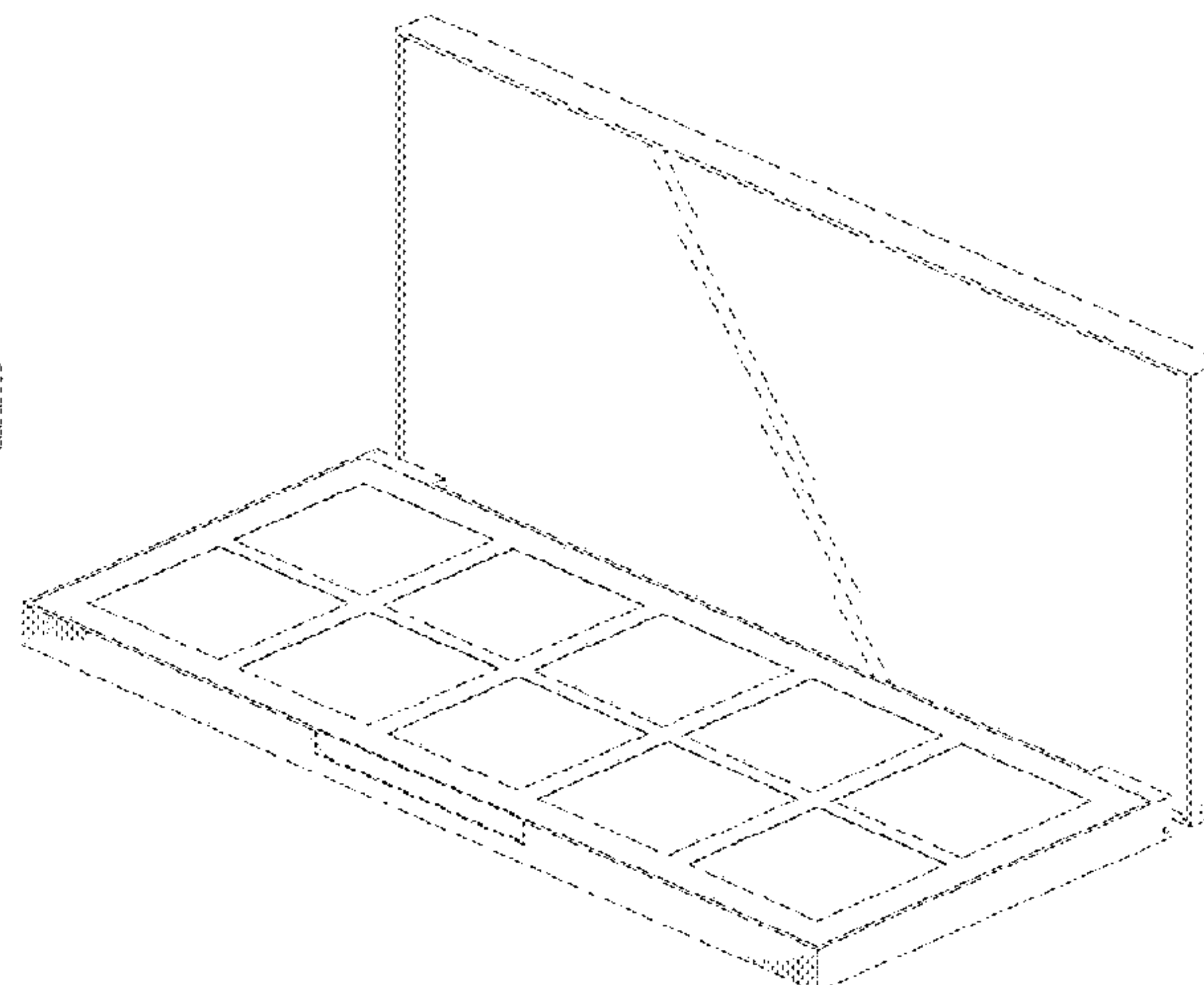
FIG. 6 is a right side elevation view of the makeup case of FIG. 1.

FIG. 7 is a top plan view of the makeup case of FIG. 1.

FIG. 8 is a bottom plan view of the makeup case of FIG. 1; and,

FIG. 9 is a front, right perspective view from above of the makeup case of FIG. 1 with the top lid in an open position.

1 Claim, 7 Drawing Sheets



(56)

References Cited

U.S. PATENT DOCUMENTS

D723,220 S * 2/2015 Guor D28/83
D833,734 S * 11/2018 Binder D3/203.6
D837,453 S * 1/2019 Angles-D'Auriac D28/83
10,882,661 B1 * 1/2021 Seidler B65D 21/083
D918,477 S * 5/2021 McGrath D28/83
D942,087 S * 1/2022 Choi D28/83
2008/0257376 A1 * 10/2008 Pires A45D 40/24
132/294

OTHER PUBLICATIONS

Get To Know The New YSL Couture . . . [online]; [article published to the internet on Jun. 25, 2020]; [retrieved from the internet on Aug. 8, 2022]; URL:<https://beautyvelle.com/2020/06/25/get-to-know-the-new-ysl-couture-colour-clutch-eyeshadow-palette/> (5 pages). (Year: 2020).*

* cited by examiner

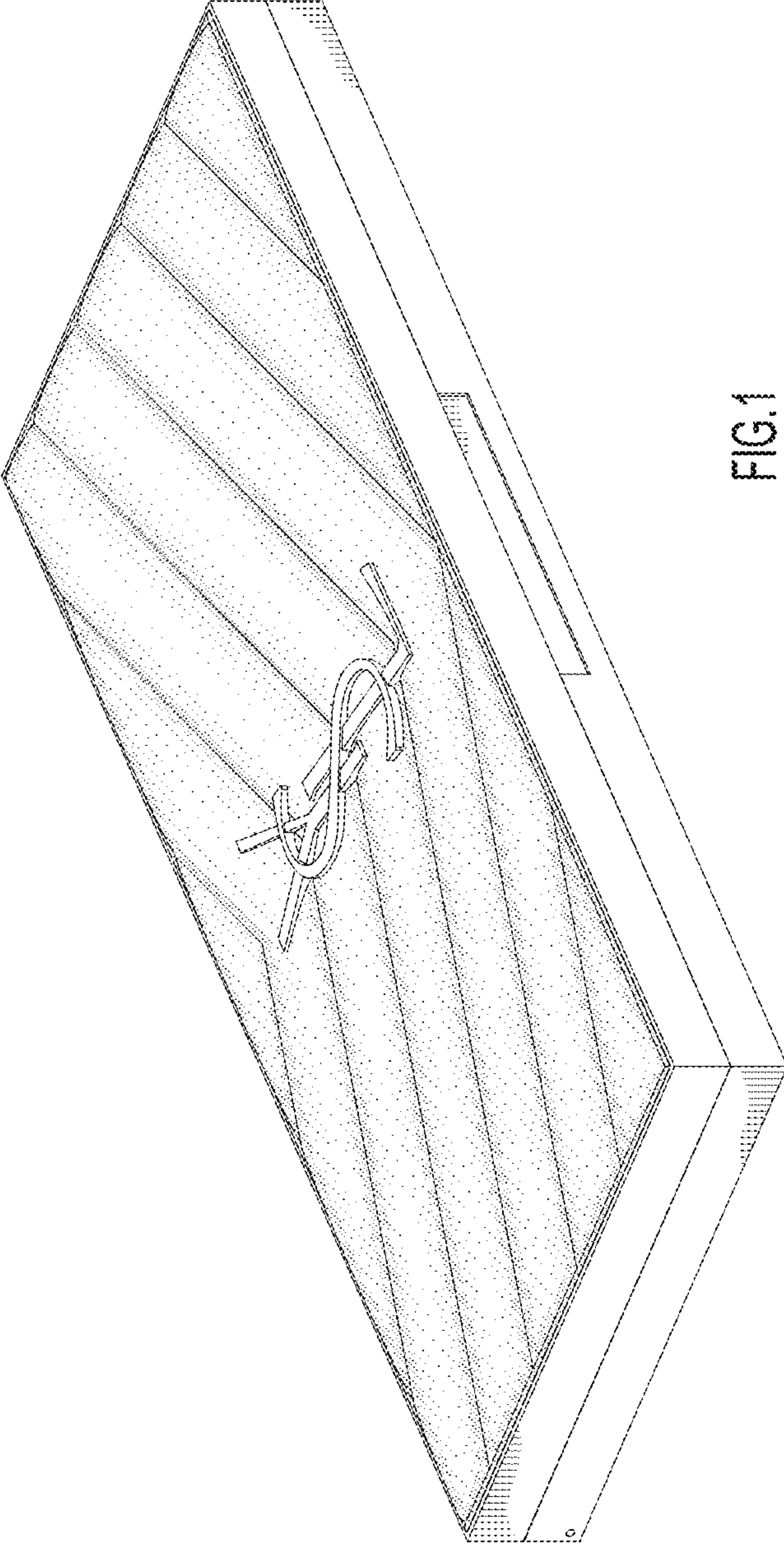


FIG.1

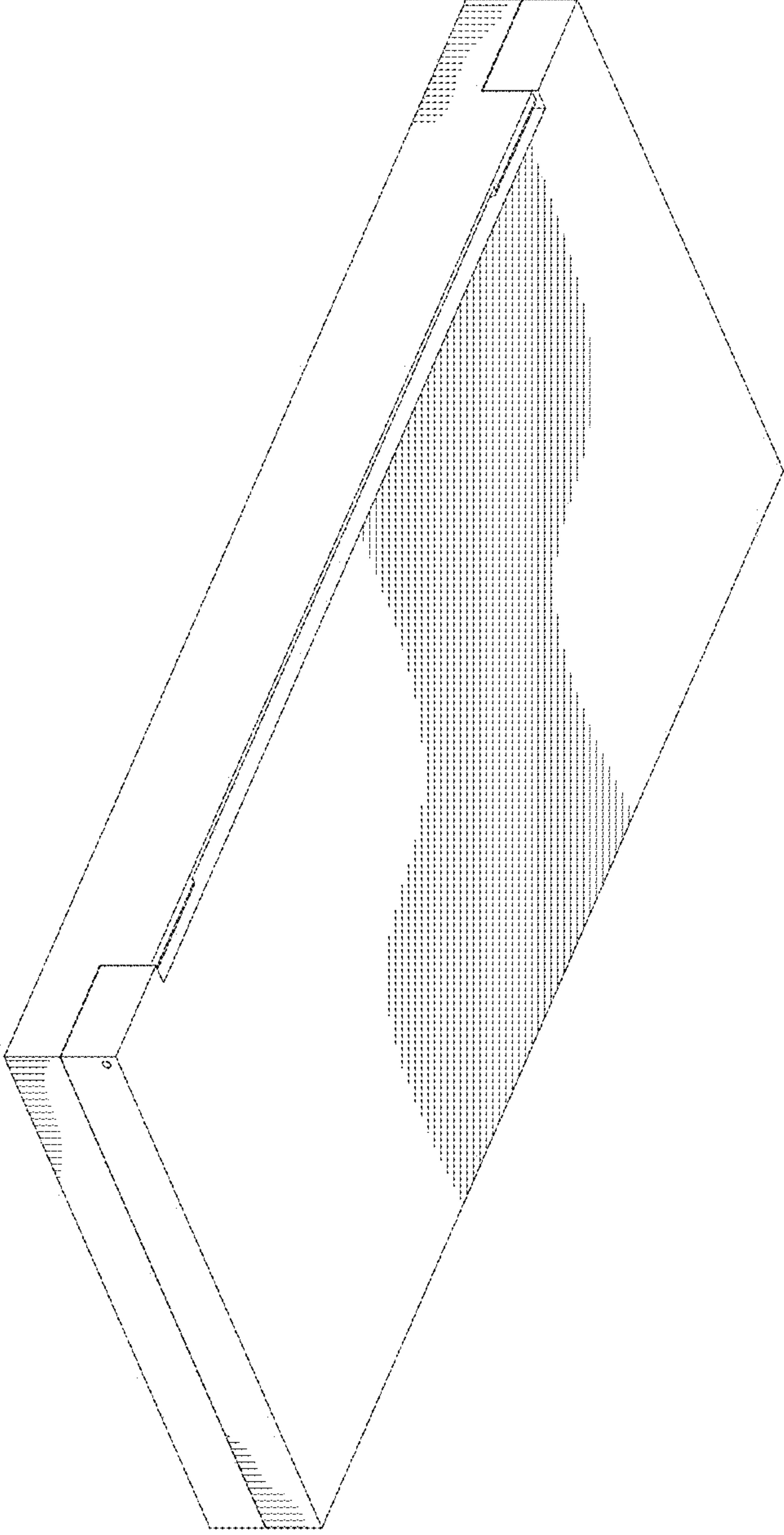


FIG.2

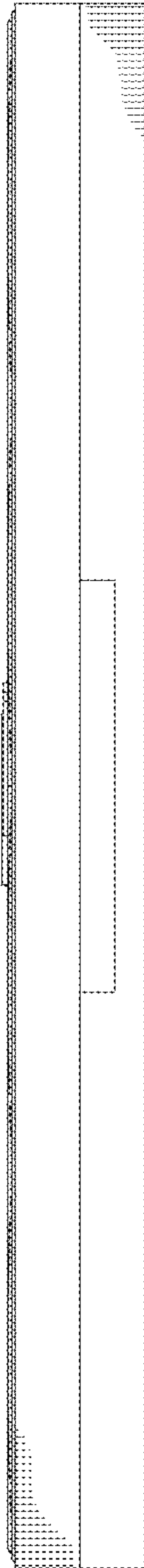


FIG.3

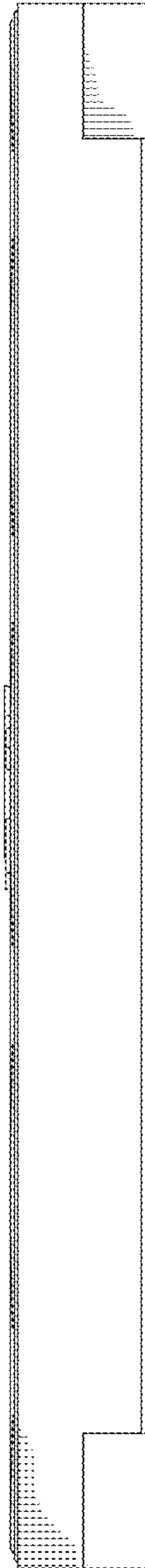


FIG.4

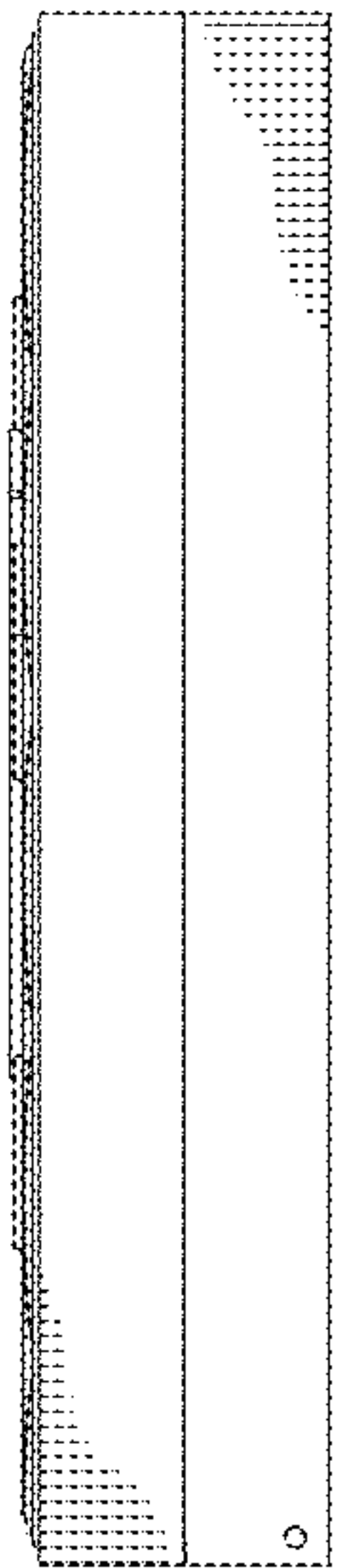


FIG. 5

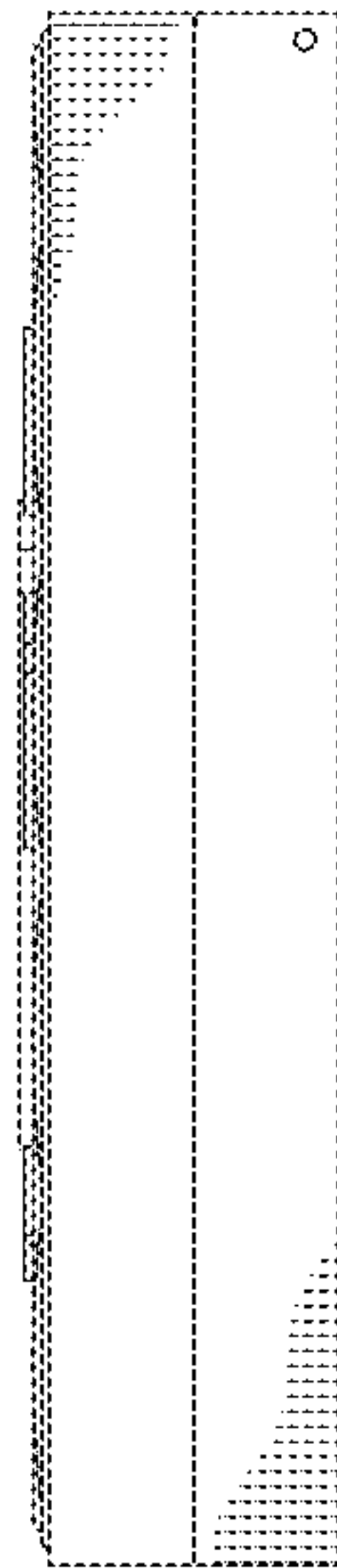


FIG. 6

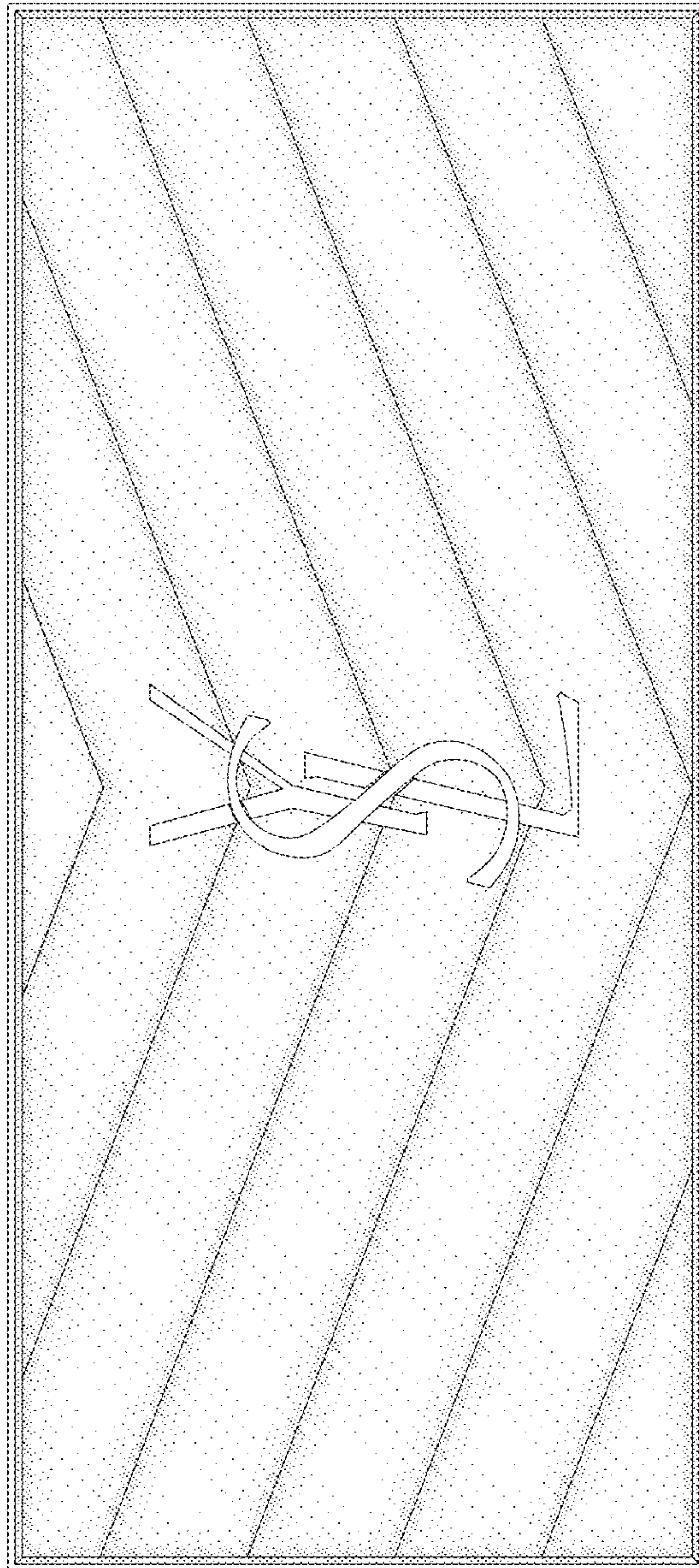


FIG. 7

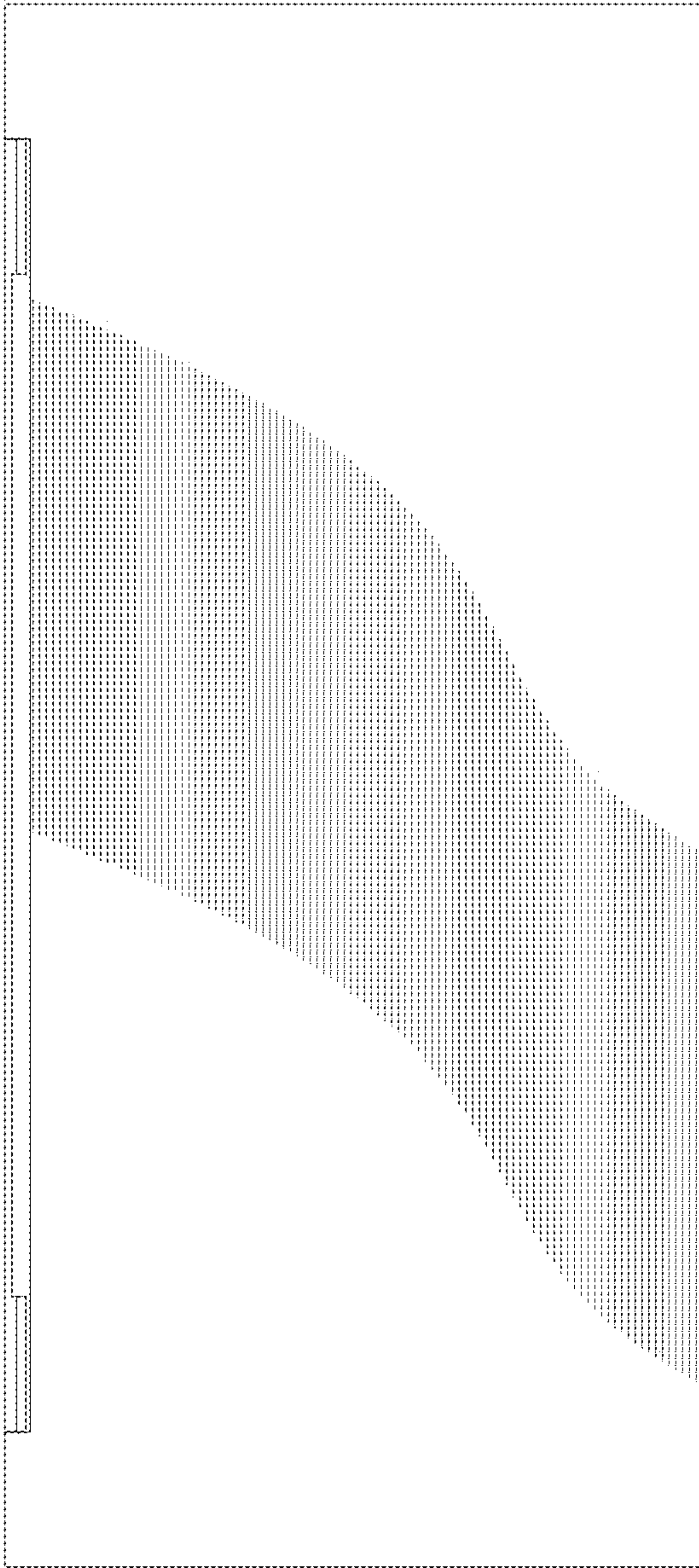


FIG. 8

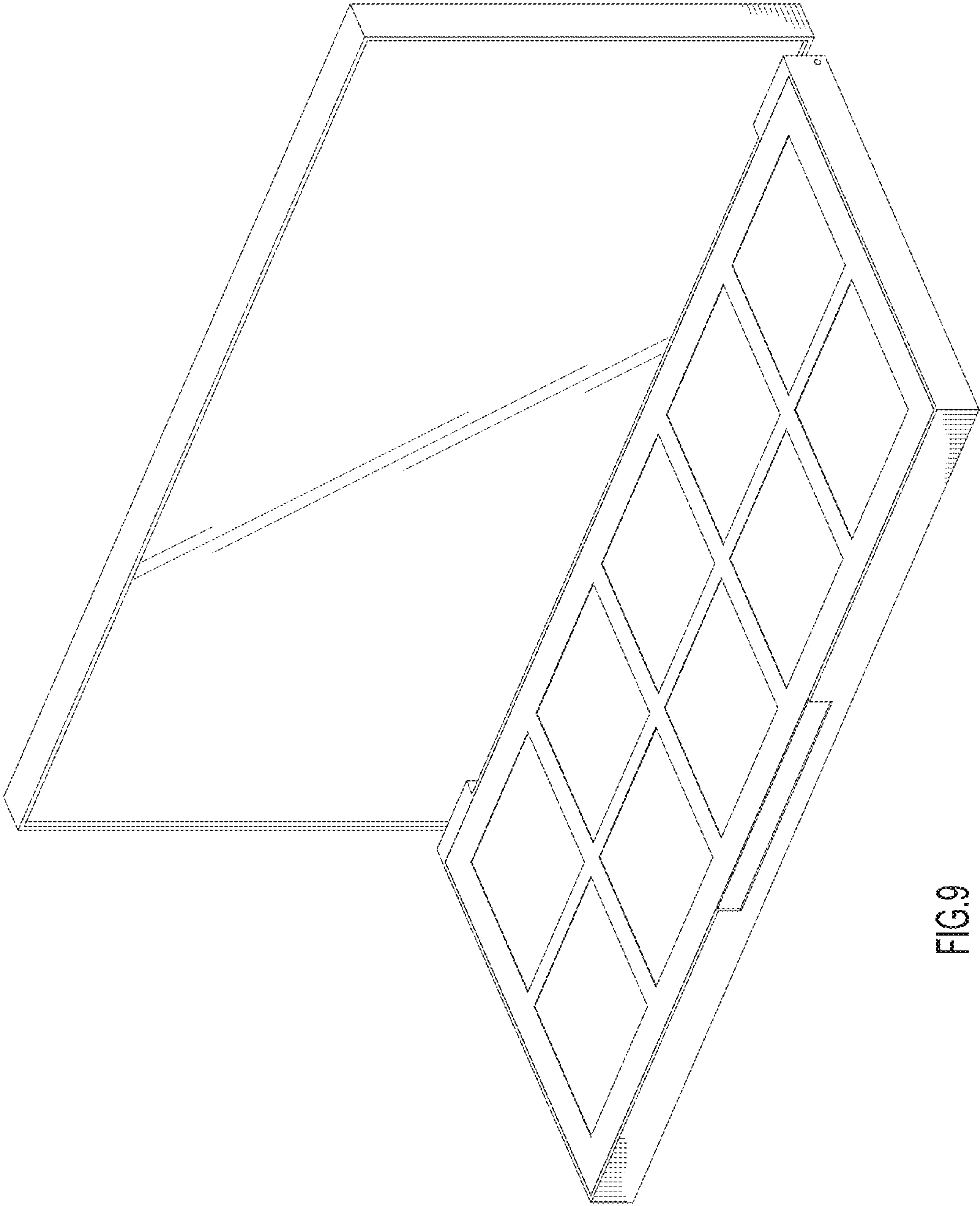


FIG.9