



US00D974659S

(12) **United States Design Patent**  
**Novak et al.**

(10) **Patent No.:** **US D974,659 S**  
(45) **Date of Patent:** **\*\* Jan. 3, 2023**

(54) **HAIR CLIPPER**

(71) Applicant: **Andis Company**, Sturtevant, WI (US)

(72) Inventors: **Joseph Novak**, Milwaukee, WI (US);  
**Evan Cutter Waller**, Kenosha, WI (US);  
**Andreas Lundbäck**, Stockholm (SE);  
**Viktor Berglin**, Stockholm (SE)

(73) Assignee: **Andis Company**, Sturtevant, WI (US)

(\*\*) Term: **15 Years**

(21) Appl. No.: **29/761,648**

(22) Filed: **Dec. 10, 2020**

(51) **LOC (14) Cl.** ..... **28-03**

(52) **U.S. Cl.**  
USPC ..... **D28/53**

(58) **Field of Classification Search**  
USPC ..... D28/49-54; D30/159  
CPC ..... B26B 19/00; B26B 19/04; B26B 19/06;  
B26B 19/10; B26B 19/18; B26B 19/38  
See application file for complete search history.

(56) **References Cited**

**U.S. PATENT DOCUMENTS**

1,158,741	A	11/1915	Stearns et al.
1,337,166	A	4/1920	Toles
1,384,044	A	7/1921	Burke
1,679,670	A	8/1928	King
1,690,133	A	11/1928	Schick

(Continued)

**FOREIGN PATENT DOCUMENTS**

WO WO2015/134110 9/2015

**OTHER PUBLICATIONS**

Andis Releases New Cordless Clipper with 5-Position Blade For Small Animal Groomers—petsplusmag.com, published May 10, 2021, retrieved on Jan. 28, 2022, retrieved from the Internet URL:

<https://petsplusmag.com/andis-releases-new-cordless-clipper-with-5-position-blade-for-small-animal-groomers/>.\*

*Primary Examiner* — Alison M Ofstun

(74) *Attorney, Agent, or Firm* — Reinhart Boerner Van Deuren s.c.

(57) **CLAIM**

We claim the ornamental design for a hair clipper, as shown and described.

**DESCRIPTION**

FIG. 1 is a top perspective view of a first embodiment of a hair clipper, showing our new design;

FIG. 2 is a bottom perspective view of the hair clipper of FIG. 1.

FIG. 3 is a front side view of the hair clipper of FIG. 1.

FIG. 4 is a rear side view of the hair clipper of FIG. 1.

FIG. 5 is a right side view of the hair clipper of FIG. 1.

FIG. 6 is a left side view of the hair clipper of FIG. 1.

FIG. 7 is a top side view of the hair clipper of FIG. 1.

FIG. 8 is a bottom side view of the hair clipper of FIG. 1.

FIG. 9 is a cross-sectional view of the hair clipper of FIG. 1 taken along the 9-9 line shown in FIG. 7.

FIG. 10 is a top perspective view of a second embodiment of a hair clipper, showing our new design;

FIG. 11 is a bottom perspective view of the hair clipper of FIG. 9.

FIG. 12 is a front side view of the hair clipper of FIG. 9.

FIG. 13 is a rear side view of the hair clipper of FIG. 9.

FIG. 14 is a right side view of the hair clipper of FIG. 9.

FIG. 15 is a left side view of the hair clipper of FIG. 9.

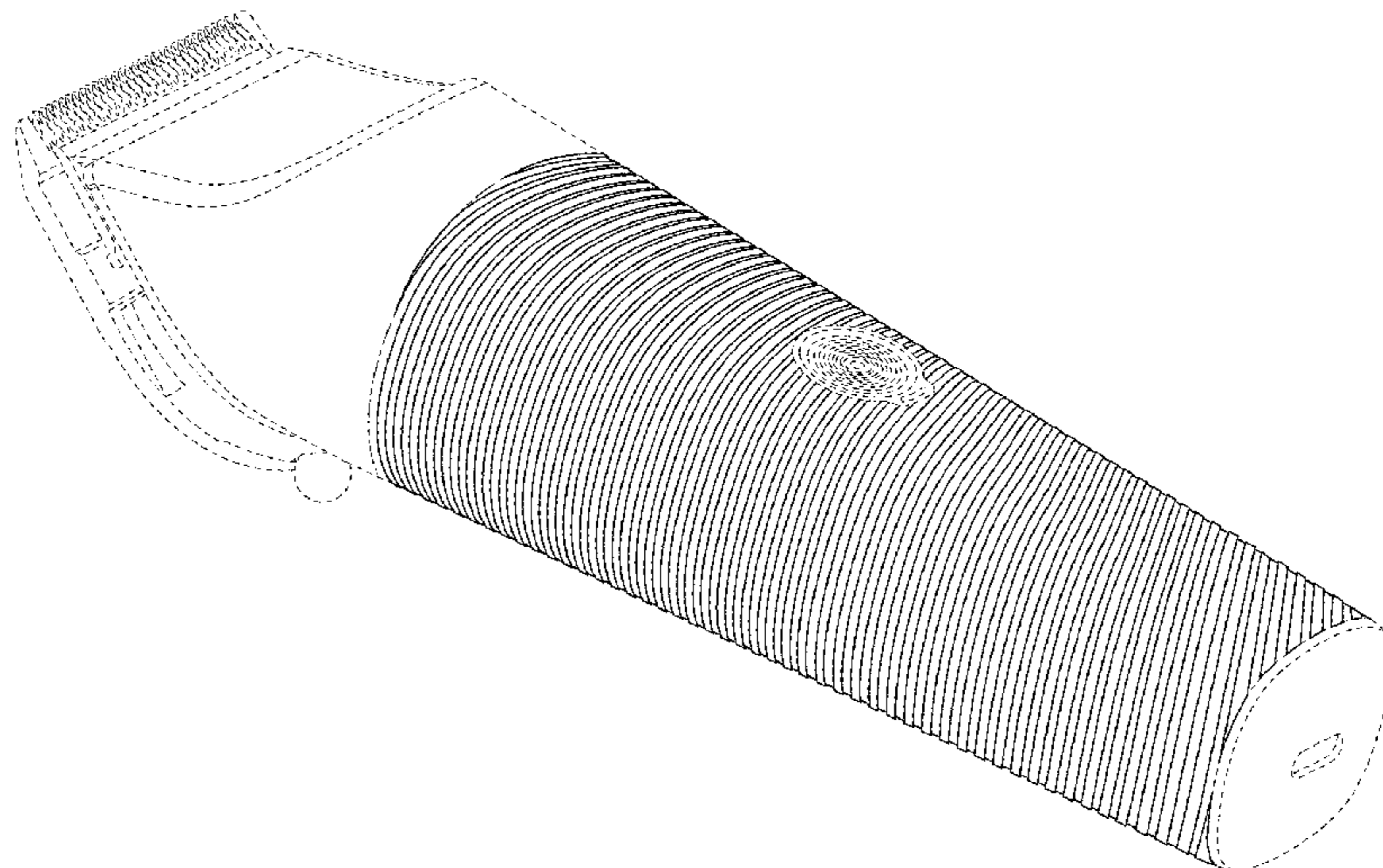
FIG. 16 is a top side view of the hair clipper of FIG. 9.

FIG. 17 is a bottom side view of the hair clipper of FIG. 9; and,

FIG. 18 is a cross-sectional view of the hair clipper of FIG. 9 taken along the 18-18 line shown in FIG. 16.

The evenly spaced broken lines in the drawings illustrate portions of the article which form no part of the claimed design. The dash-dot broken lines illustrate a boundary to the claim and form no part thereof.

**1 Claim, 16 Drawing Sheets**



(56)

**References Cited**

U.S. PATENT DOCUMENTS

1,719,827	A	7/1929	Aron	
2,015,160	A	9/1935	Shaler	
2,741,026	A	4/1956	Guenther	
D188,459	S	7/1960	Jepson et al.	
3,081,782	A	3/1963	Funk	
3,196,539	A	7/1965	Jepson et al.	
3,287,805	A	11/1966	Du Charme	
4,835,861	A	6/1989	Mahlich	
D302,743	S *	8/1989	Wahl .....	D28/53
D405,924	S *	2/1999	Lebherz .....	D28/53
D522,694	S *	6/2006	Shin .....	D28/53
D681,276	S *	4/2013	Colle .....	D28/53
D784,618	S *	4/2017	Mori .....	D28/53
D851,835	S *	6/2019	Gross .....	D28/53
D865,292	S *	10/2019	Peterson, Jr. ....	D28/73
D910,918	S *	2/2021	Jiang .....	D28/53
D910,920	S *	2/2021	Jiang .....	D28/53
D930,244	S *	9/2021	Cai .....	D28/73
D936,901	S *	11/2021	Ji .....	D28/53
2014/0221749	A1	8/2014	Grant et al.	
2017/0078583	A1	3/2017	Haggerty et al.	
2018/0290317	A1 *	10/2018	Takada .....	B26B 19/3846

\* cited by examiner

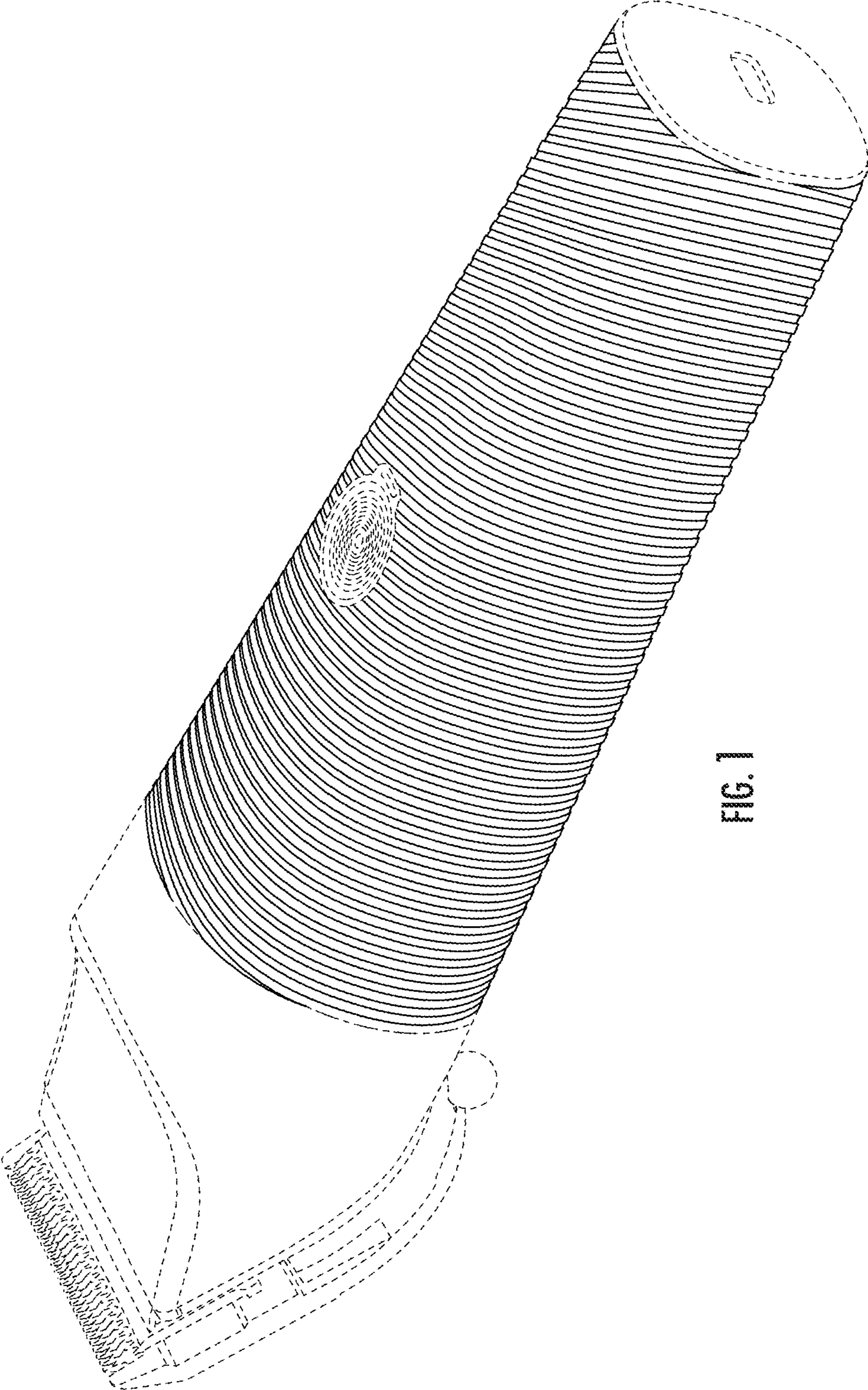
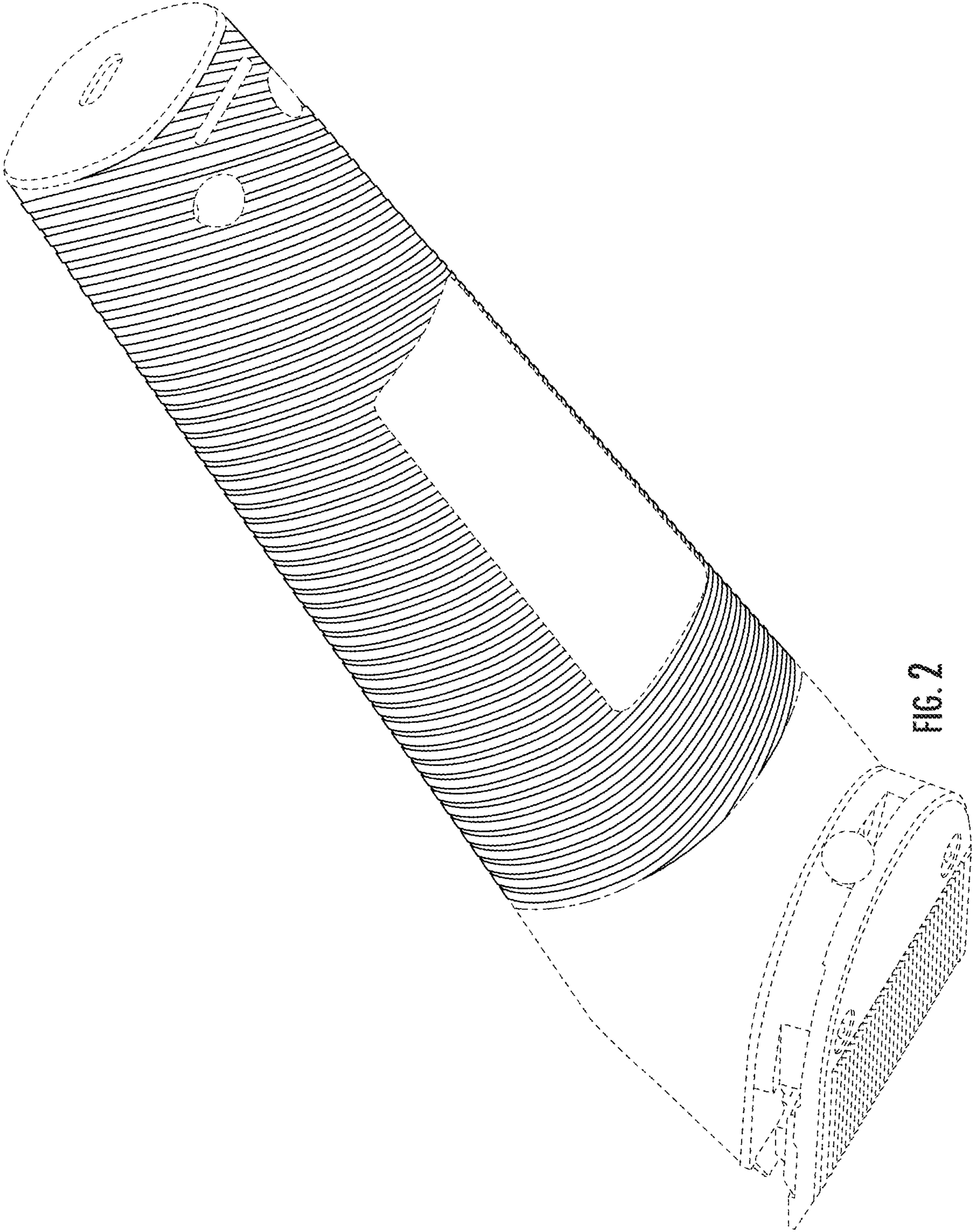


FIG. 1





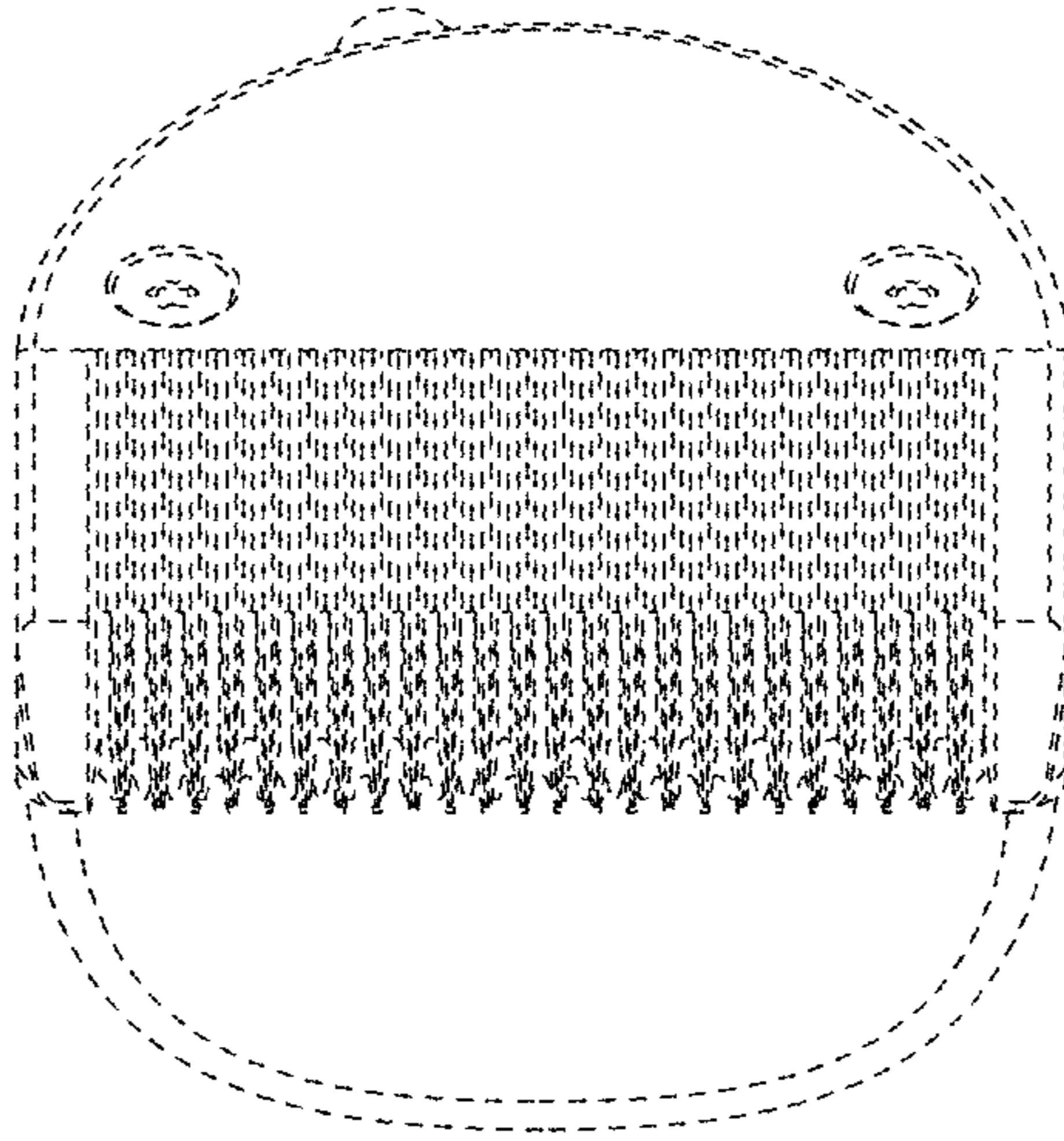


FIG. 3

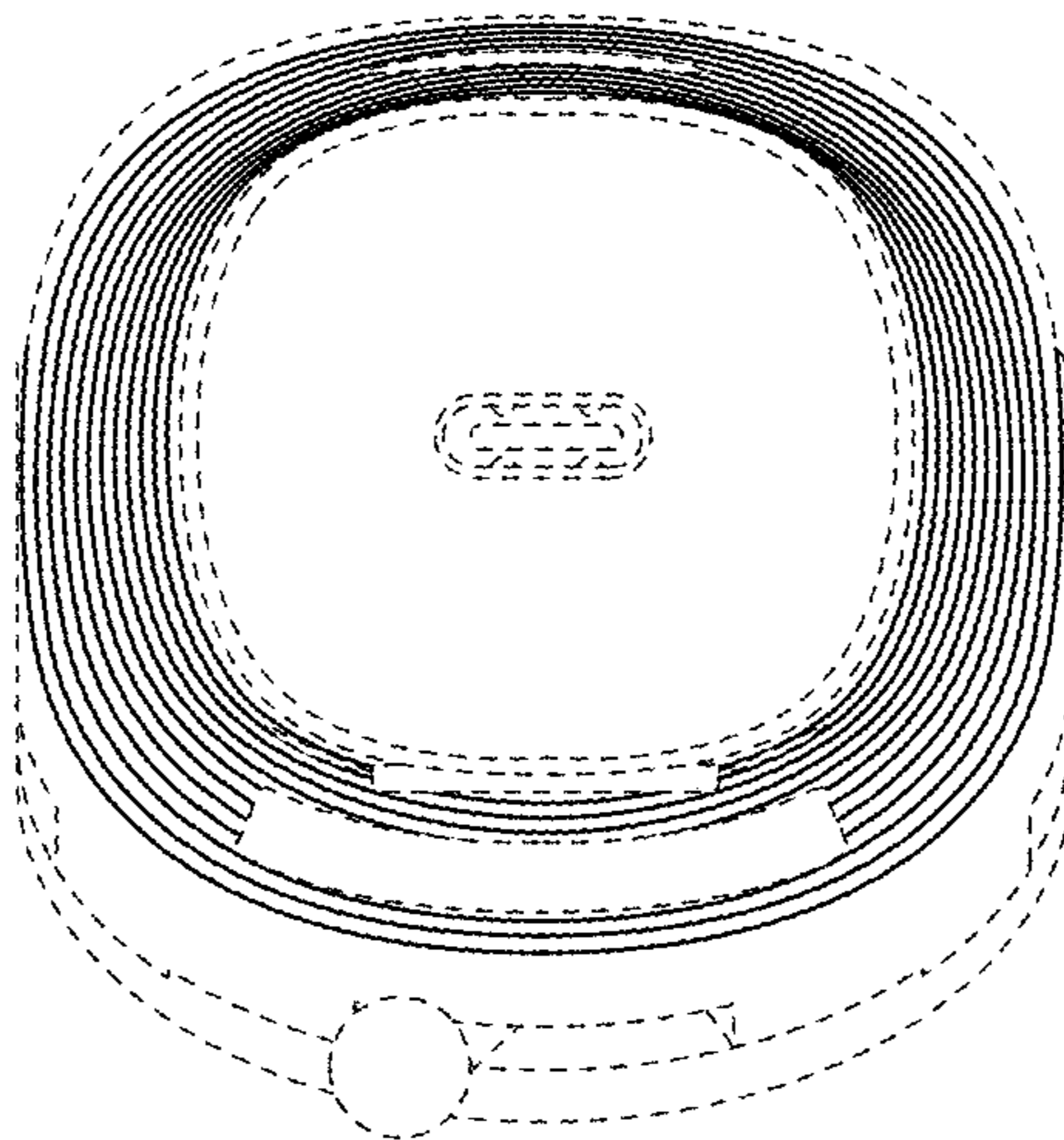


FIG. 4

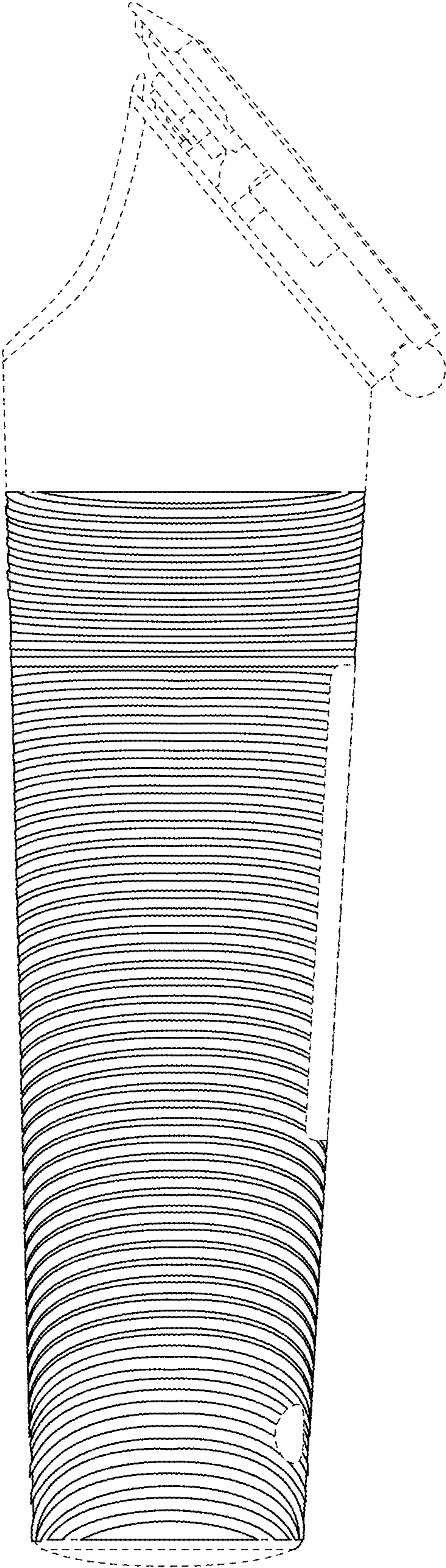


FIG. 5



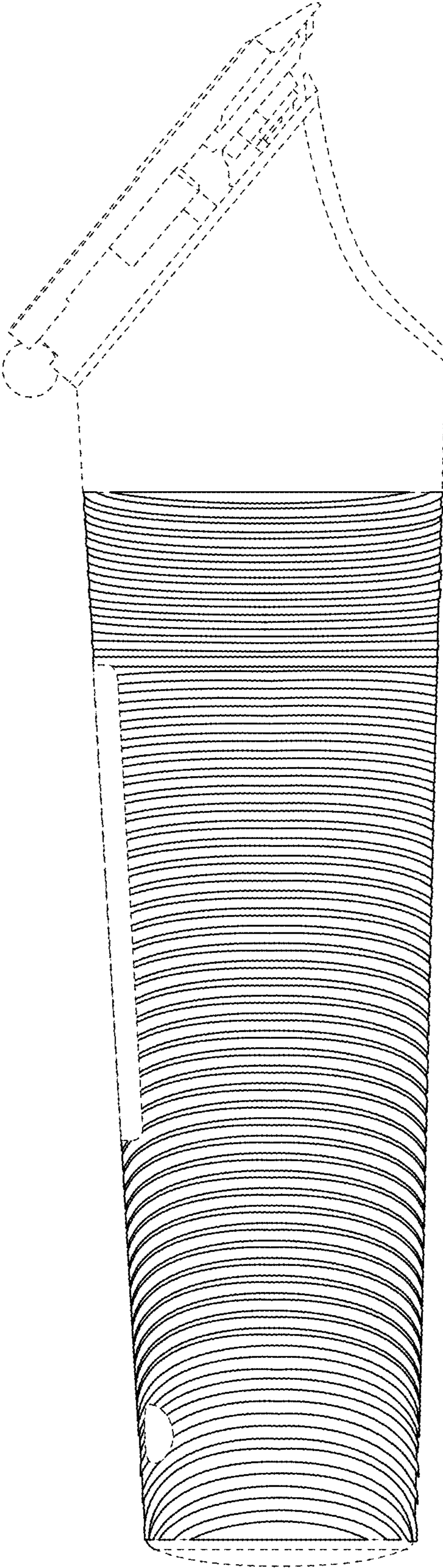


FIG. 6

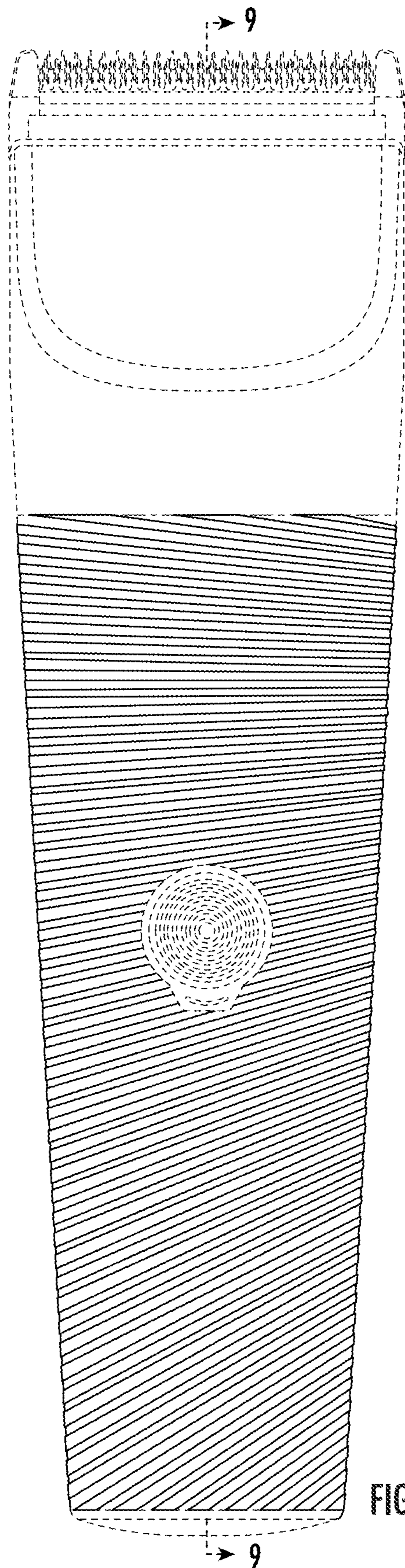


FIG. 7



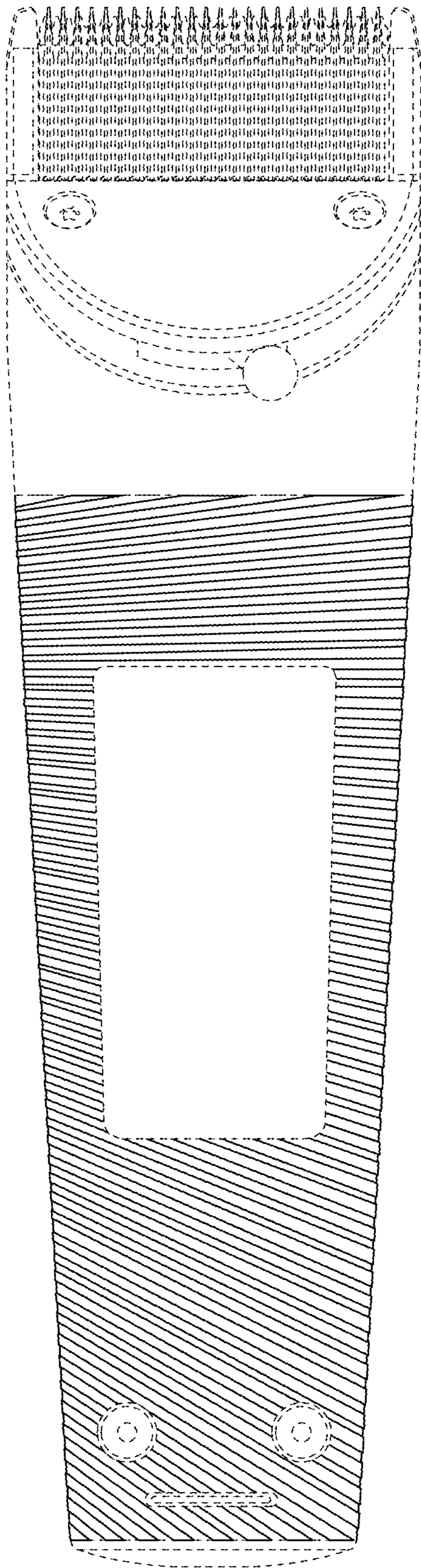


FIG. 8

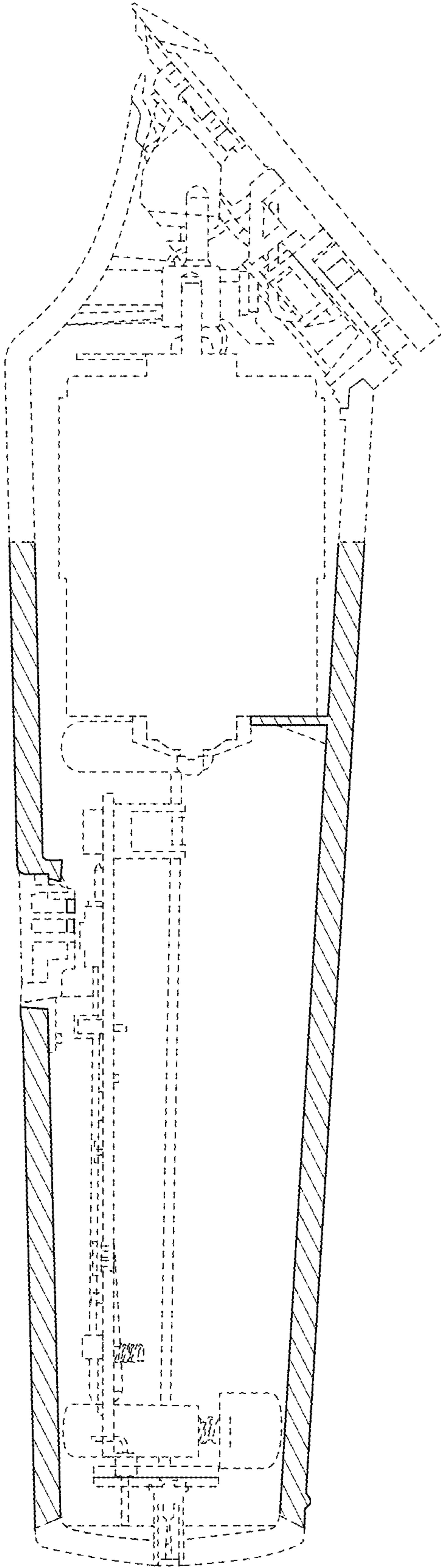


FIG. 9

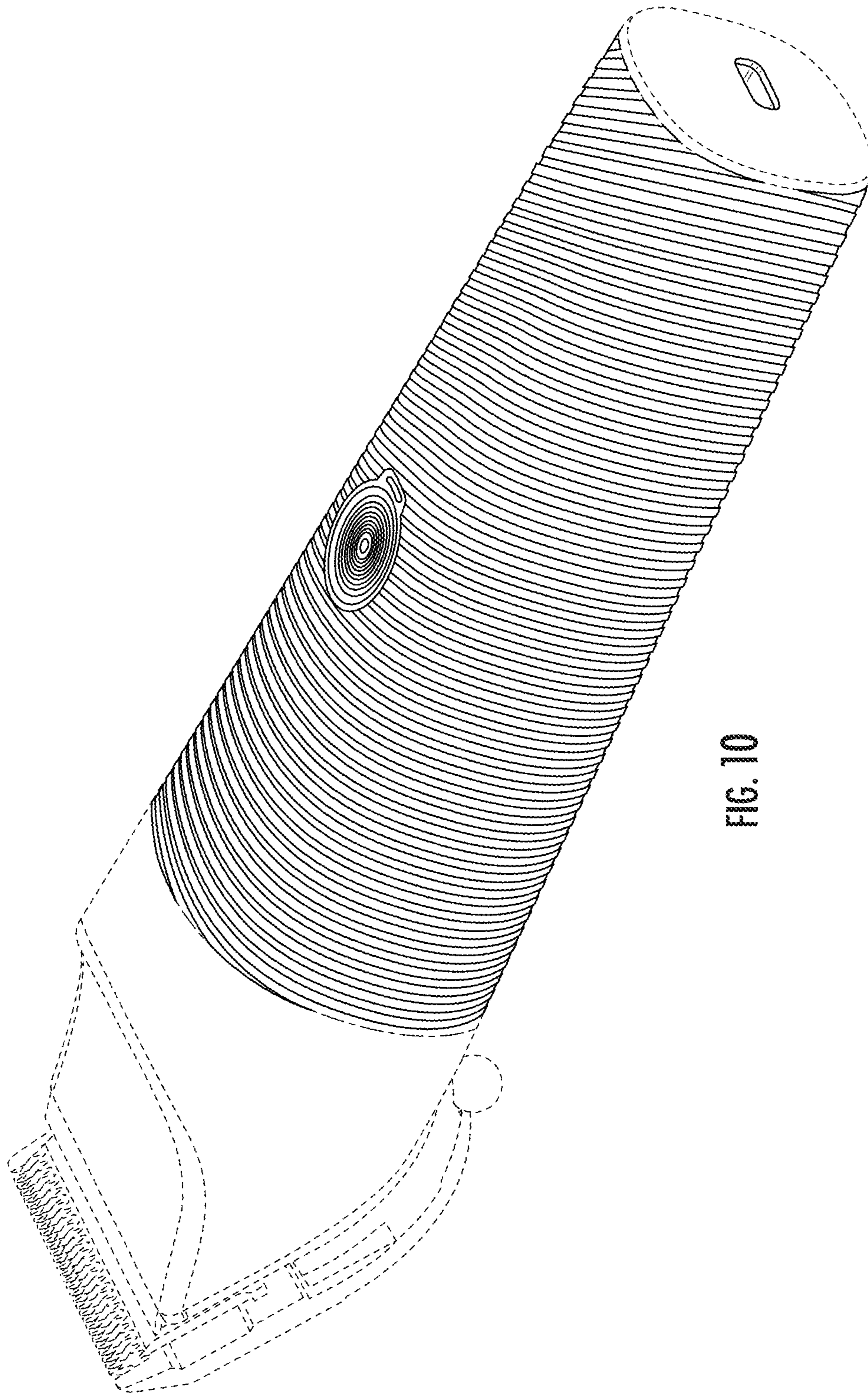
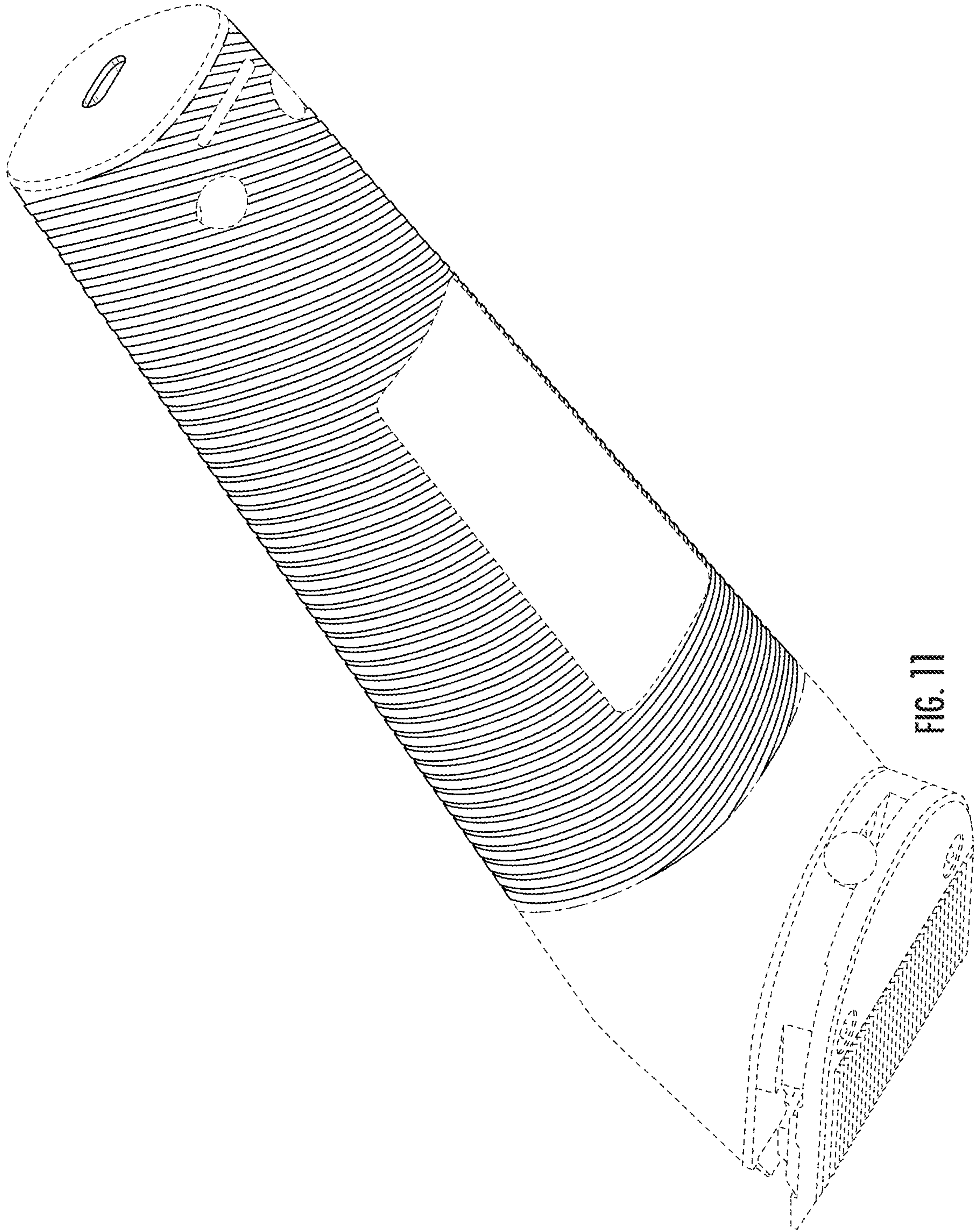


FIG. 10





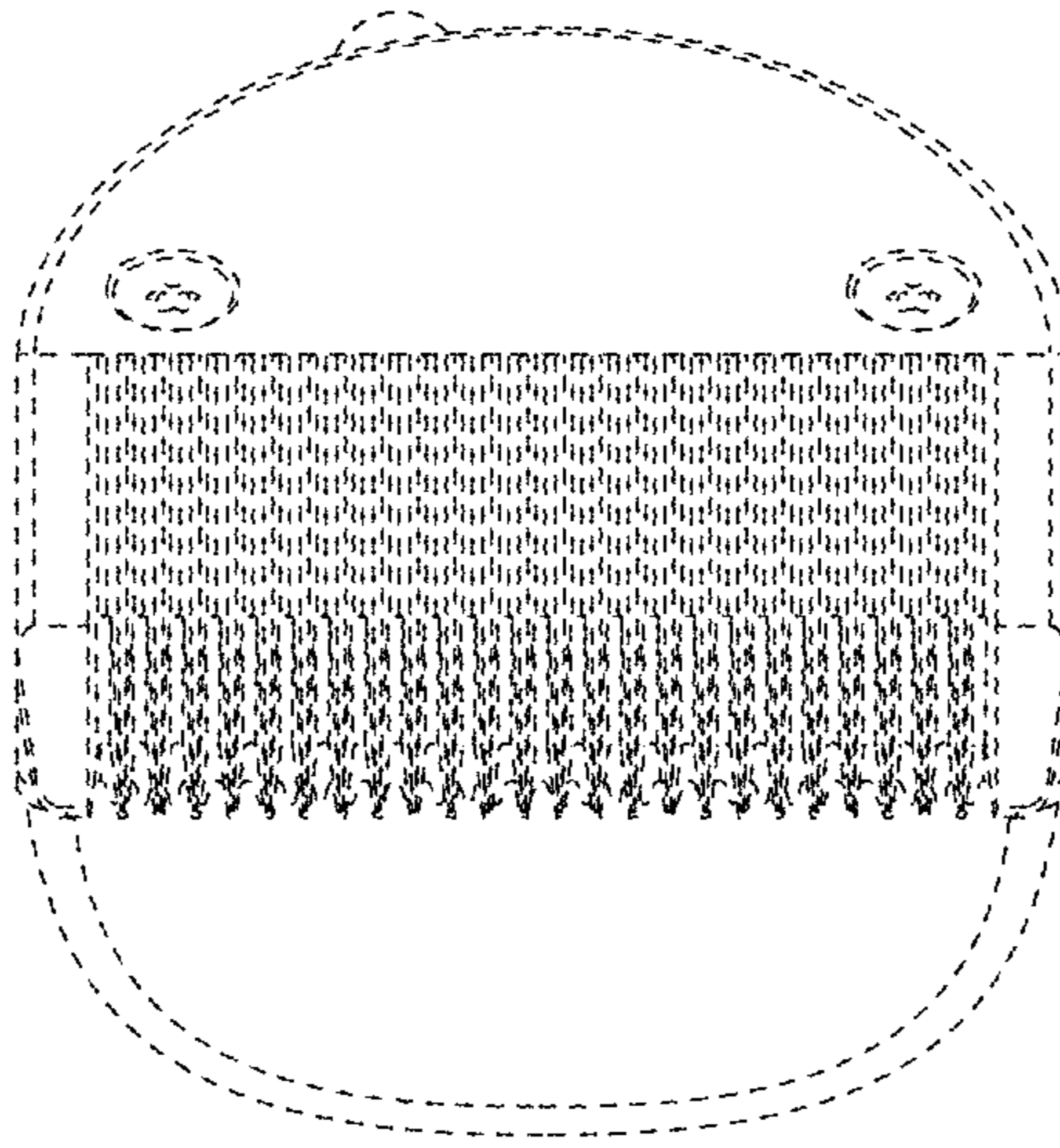


FIG. 12

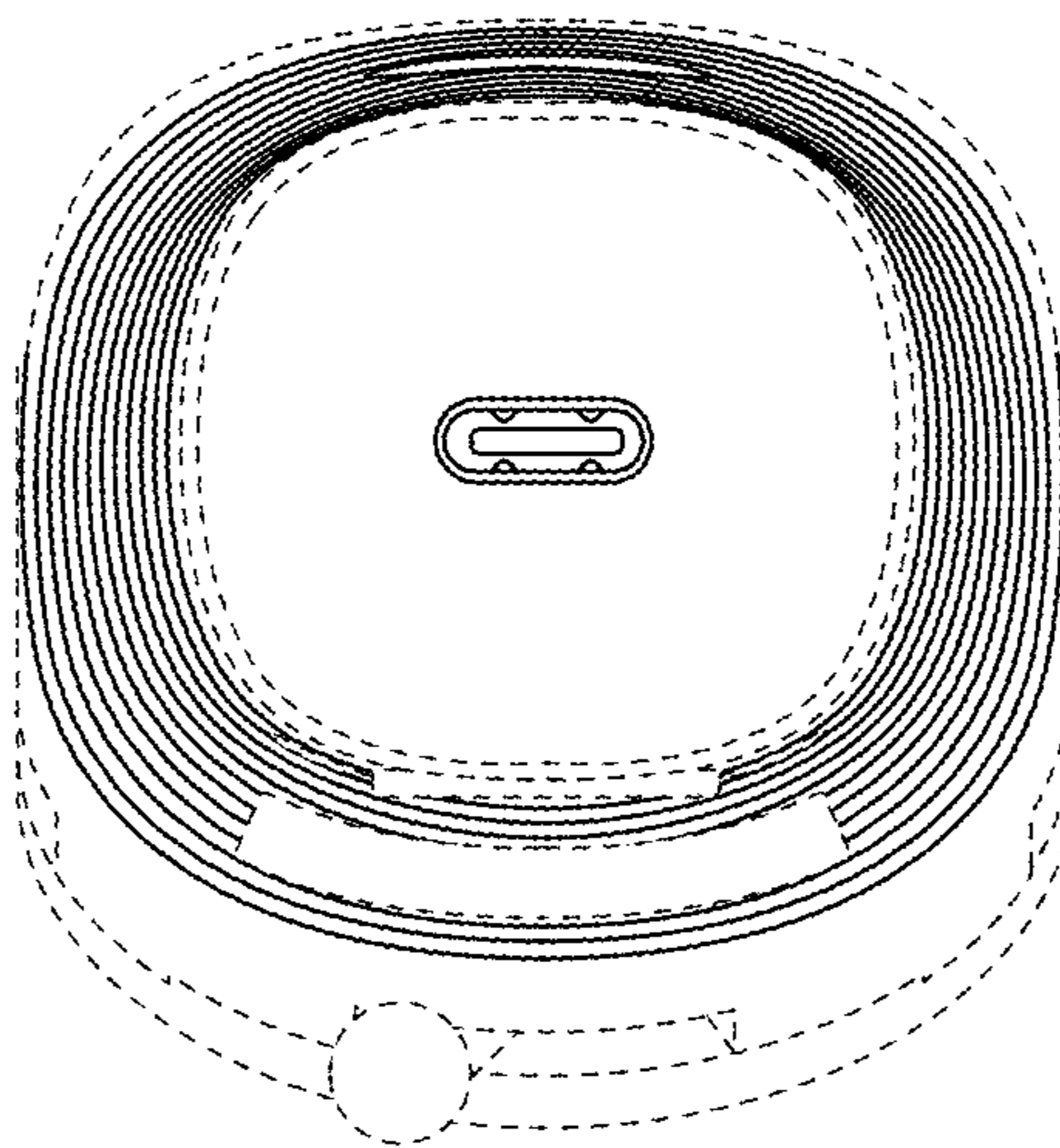


FIG. 13

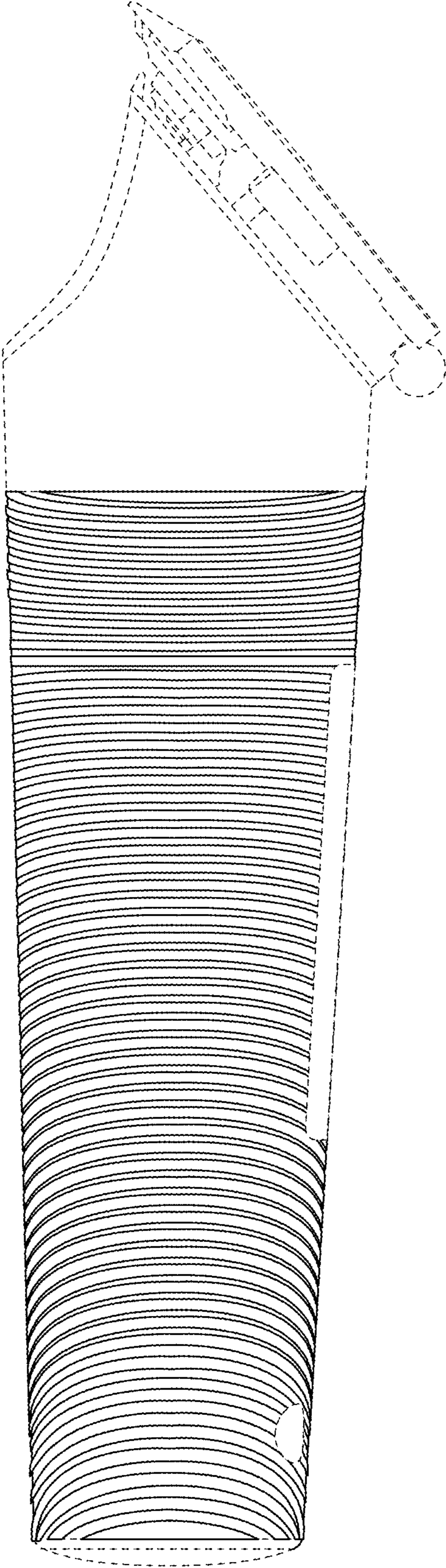


FIG. 14



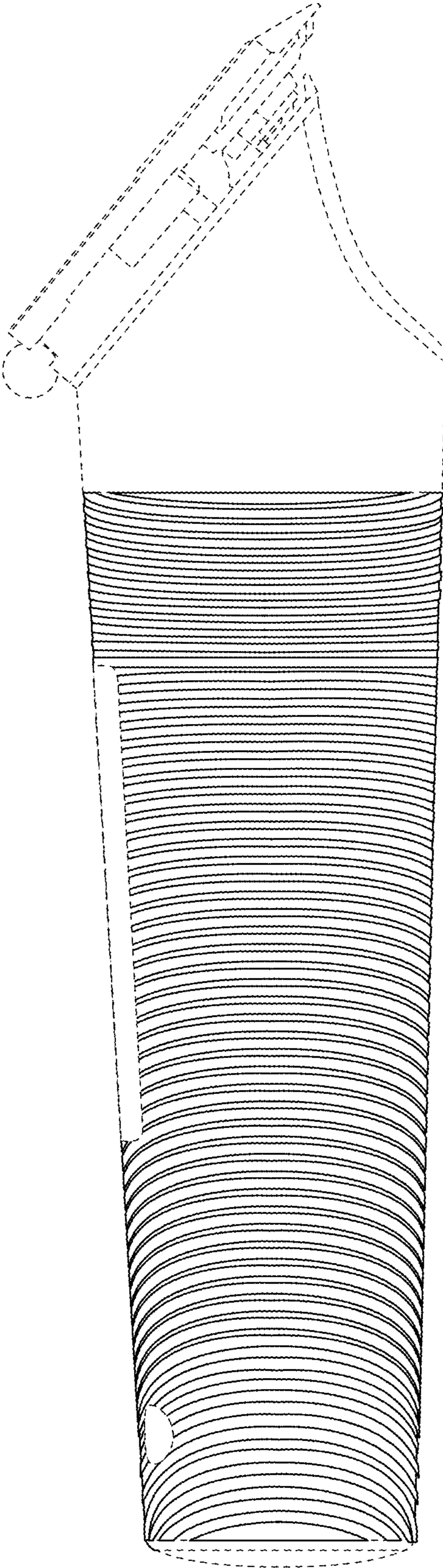


FIG. 15

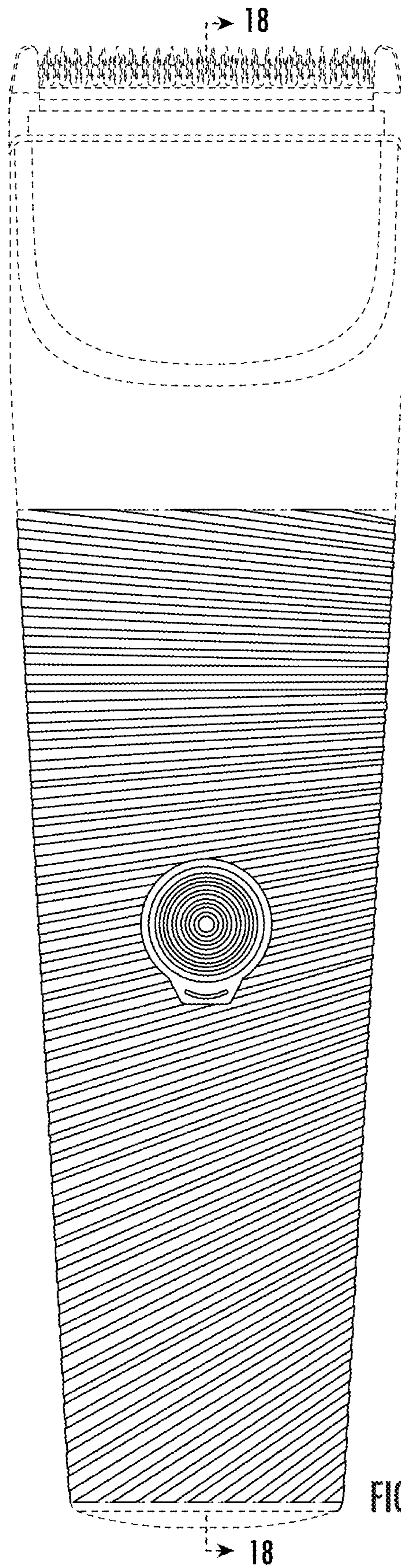


FIG. 16

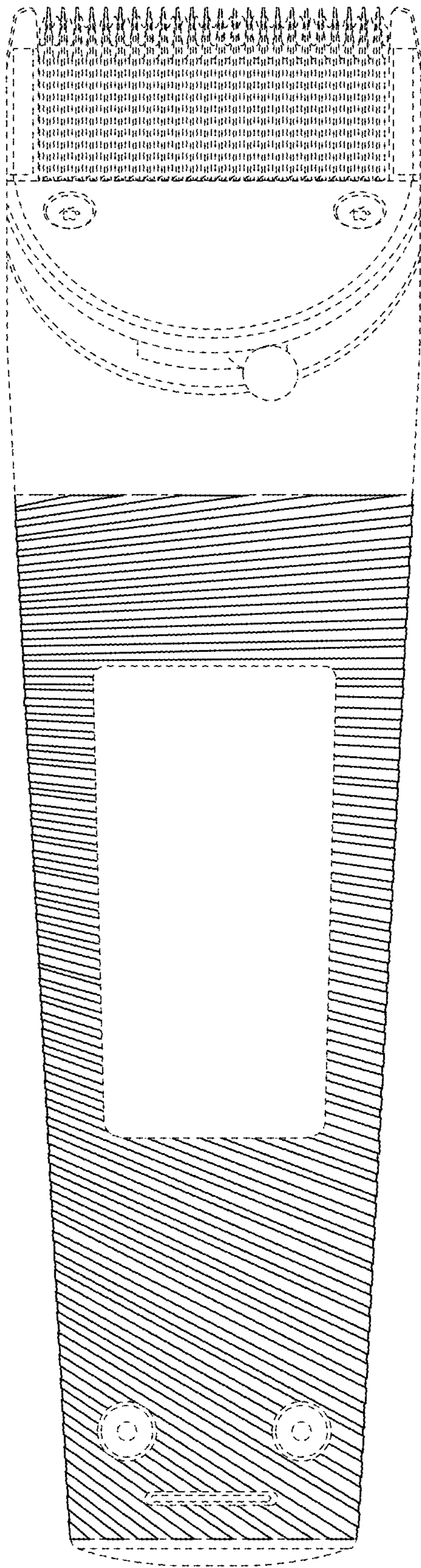


FIG. 17



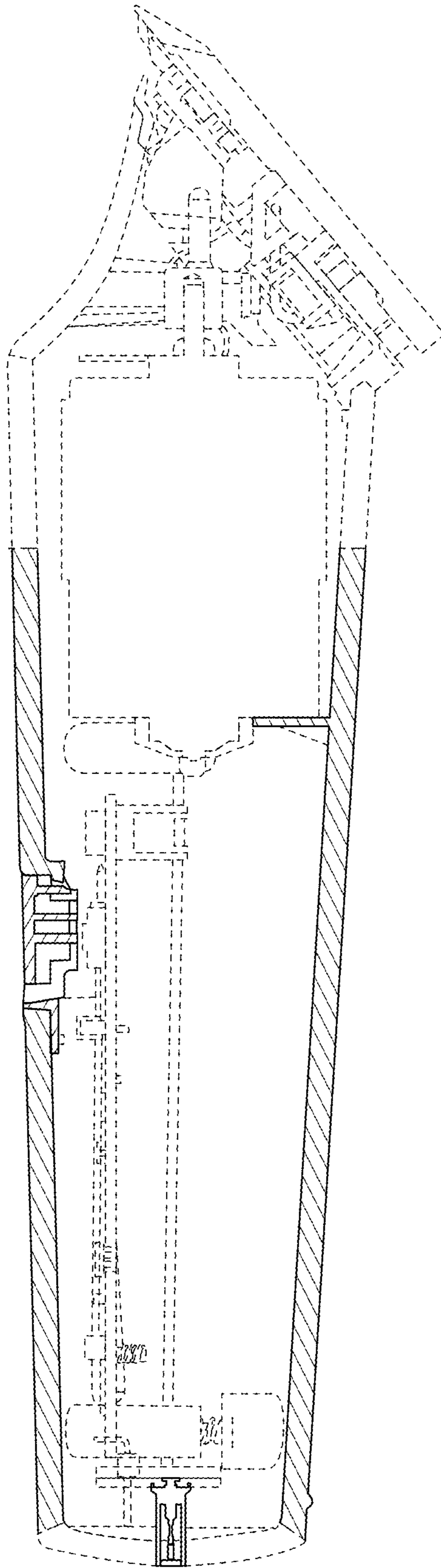


FIG. 18