



US00D974658S

(12) **United States Design Patent** (10) **Patent No.:** **US D974,658 S**
Lin (45) **Date of Patent:** **** Jan. 3, 2023**

(54) **LINT REMOVER**
(71) Applicant: **Shenzhen Jun Mao International Technology Co., Ltd.**, Guangdong (CN)

D908,961 S * 1/2021 Yang D28/50
D911,609 S * 2/2021 Li D28/50
D917,890 S * 5/2021 Cai D4/137
D930,902 S 9/2021 Liu
D936,288 S * 11/2021 Zou D28/50

(72) Inventor: **Xiangjun Lin**, Guangdong (CN)
(**) Term: **15 Years**

FOREIGN PATENT DOCUMENTS

CN 112244734 A * 1/2021 A47L 25/00
CN 112497270 A * 3/2021 B26B 19/14

(21) Appl. No.: **29/808,097**

OTHER PUBLICATIONS

(22) Filed: **Sep. 16, 2021**
(51) **LOC (14) Cl.** **28-03**
(52) **U.S. Cl.**
USPC **D28/50**
(58) **Field of Classification Search**
USPC D4/137, 118; D28/50, 44
CPC B26B 19/14; B26B 19/48; B26B 19/3853;
B26B 19/44; D06C 11/00; A47L 25/08
See application file for complete search history.

Fabric Shaver Rechargeable by ZHIBAI, www.amazon.com, 1 page, first available Jan. 2021 (Year: 2021).*
Fabric Shaver by Homeasy Store, www.amazon.com, 1 page, first available Oct. 2021 (Year: 2021).*

* cited by examiner

Primary Examiner — Jennifer Rivard
(74) *Attorney, Agent, or Firm* — SciNova IP and Regulatory Consulting LLC; Jingfeng Song

(56) **References Cited**

(57) **CLAIM**

The ornamental design for a lint remover, as shown and described.

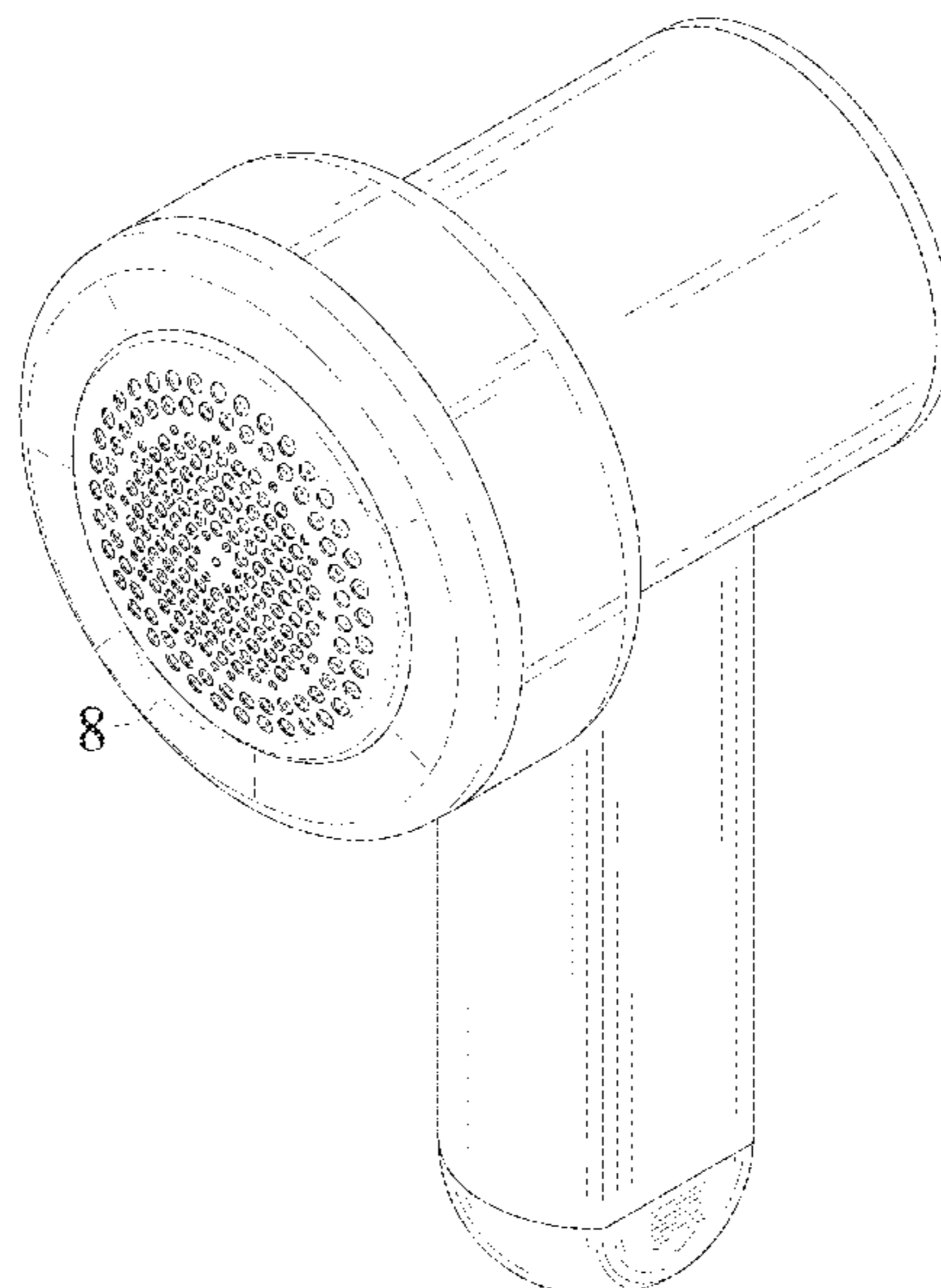
U.S. PATENT DOCUMENTS

DESCRIPTION

4,417,397 A * 11/1983 Kitamura B26B 19/44
30/34.2
D298,361 S 11/1988 Thaler
D307,957 S 5/1990 Mockovak
D310,890 S 9/1990 Ho
D314,642 S 2/1991 Ying
D472,024 S * 3/2003 Caldwell B26B 19/44
D32/32
D500,168 S * 12/2004 Ho D28/44
D510,138 S * 9/2005 Kim D24/146
D513,814 S * 1/2006 Chen D28/50
D620,643 S * 7/2010 Teteak D28/50
D671,267 S * 11/2012 Hsu D28/50
D678,611 S 3/2013 Hsu
D841,243 S * 2/2019 Hsu D28/50
D841,244 S * 2/2019 Hsu D28/50
D845,544 S * 4/2019 Hsu D28/50
D866,071 S 11/2019 Luo

FIG. 1 is a perspective view of a lint remover, showing my design.
FIG. 2 is a front elevation view thereof.
FIG. 3 is a rear elevation view thereof.
FIG. 4 is a left side elevation view thereof.
FIG. 5 is a right side elevation view thereof.
FIG. 6 is a top plan view thereof.
FIG. 7 is a bottom plan view thereof.
FIG. 8 is an enlarged view of portion 8 shown in FIG. 1; and, FIG. 9 is an enlarged view of portion 9 shown in FIG. 2. The broken lines illustrate portions of the lint remover and form no part of the claimed design.

1 Claim, 9 Drawing Sheets



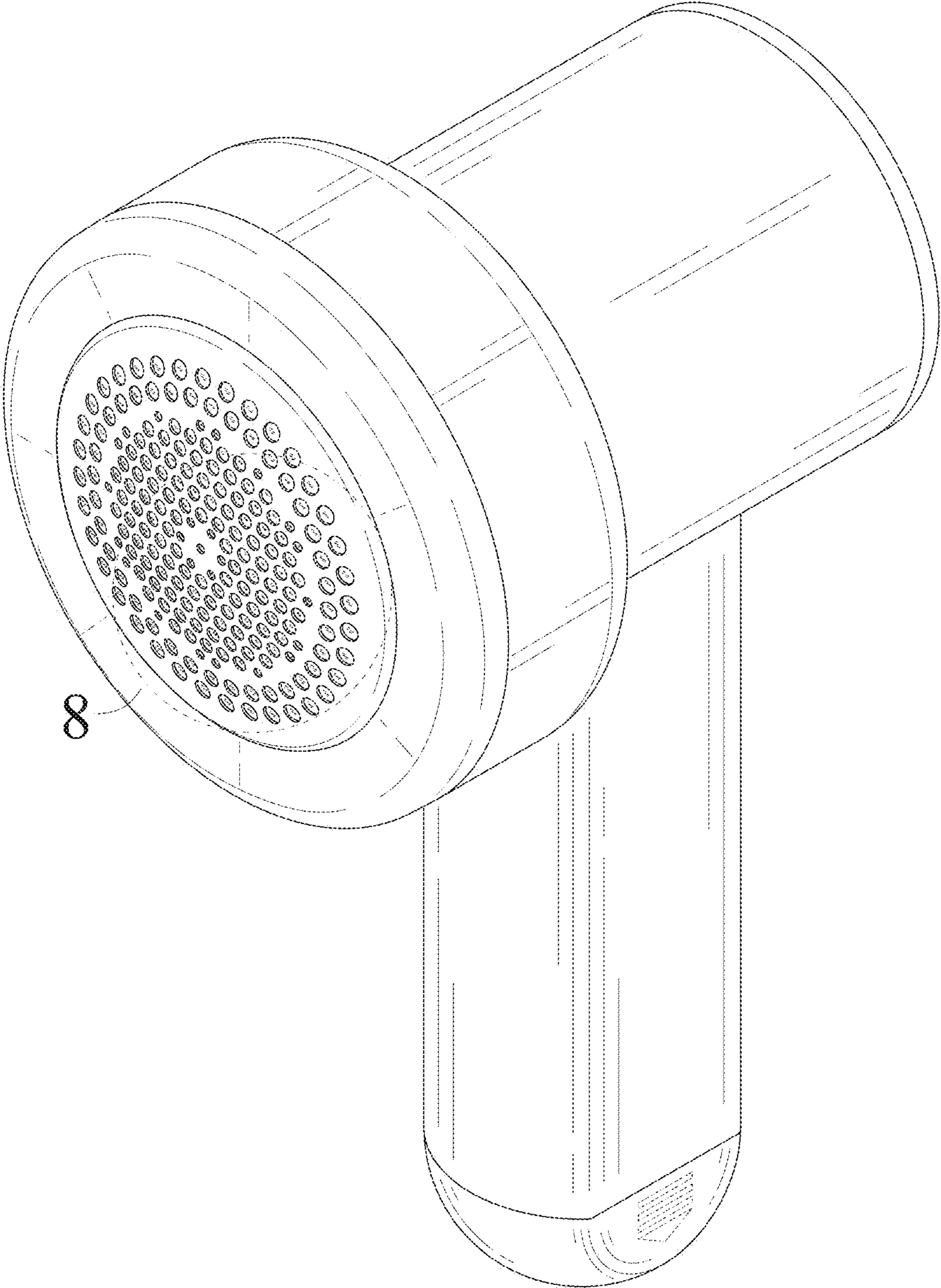


FIG. 1

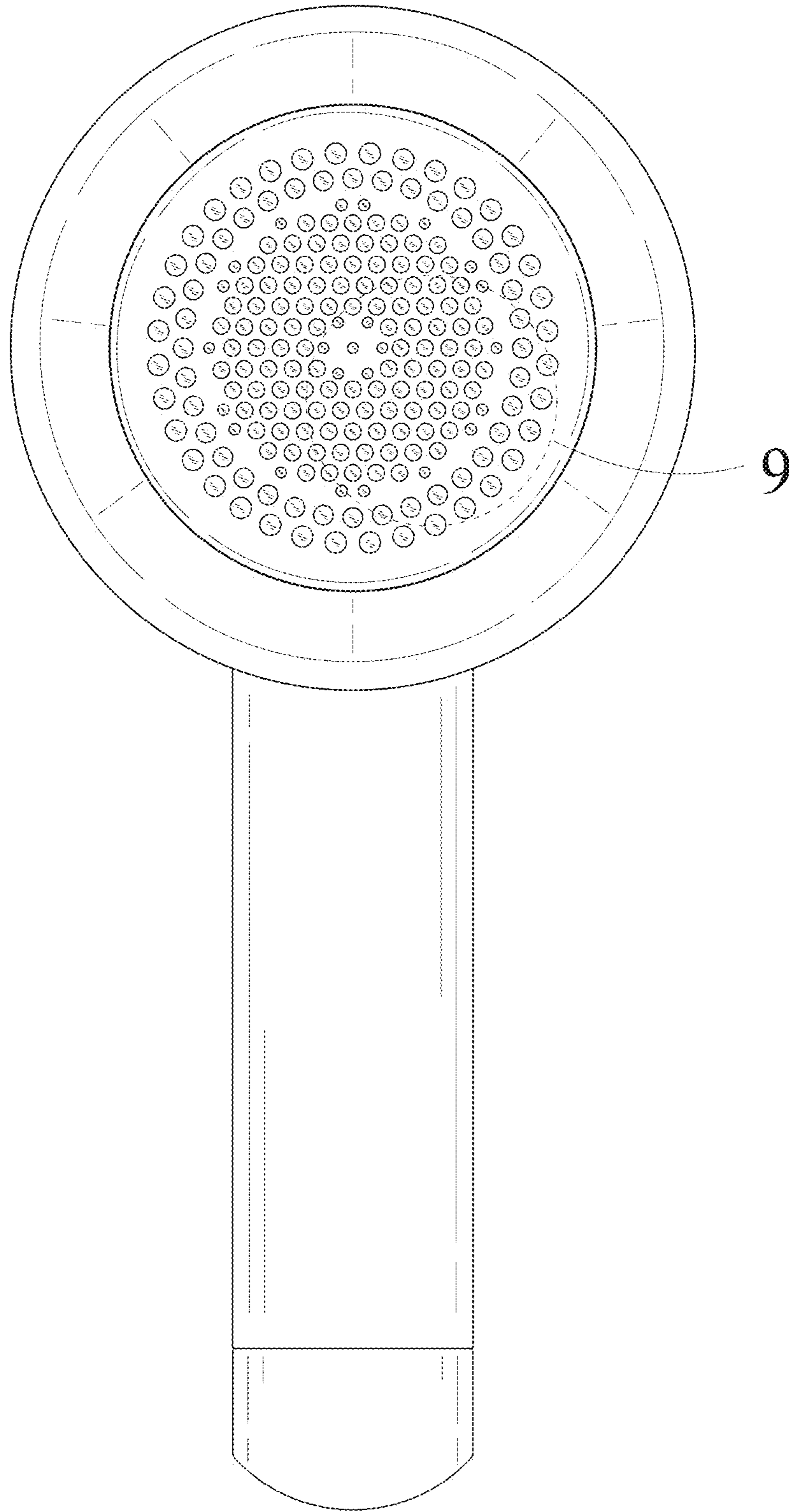


FIG.2

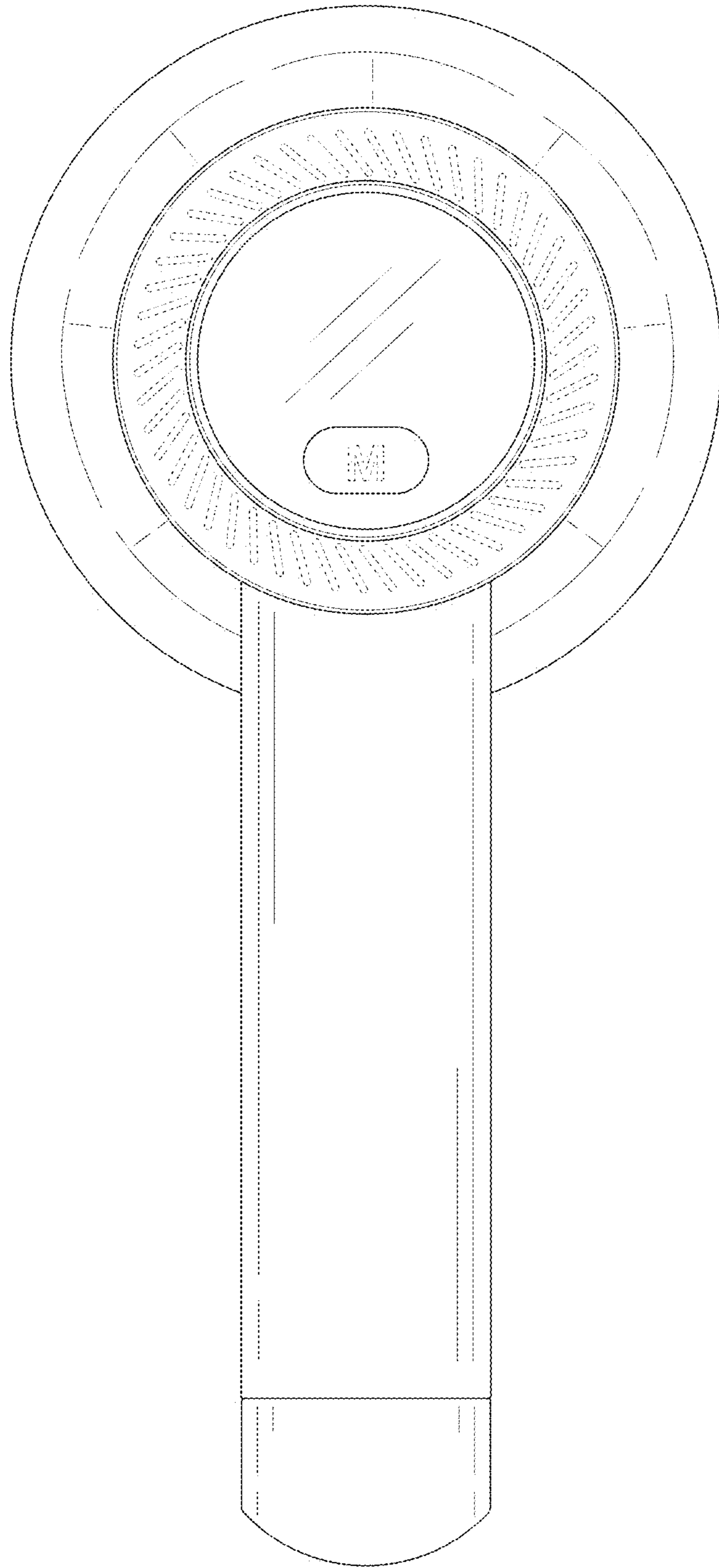


FIG.3

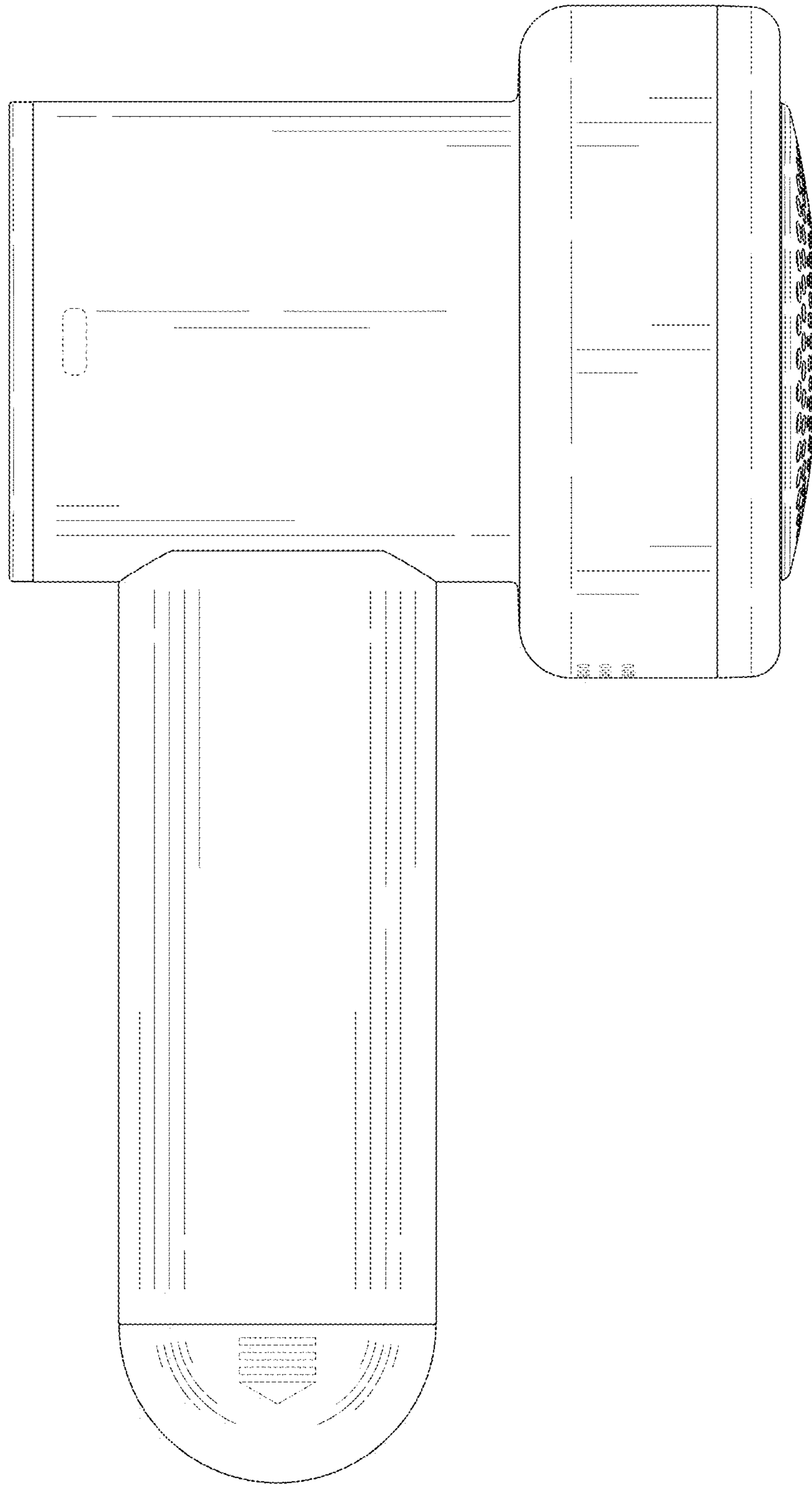


FIG.4

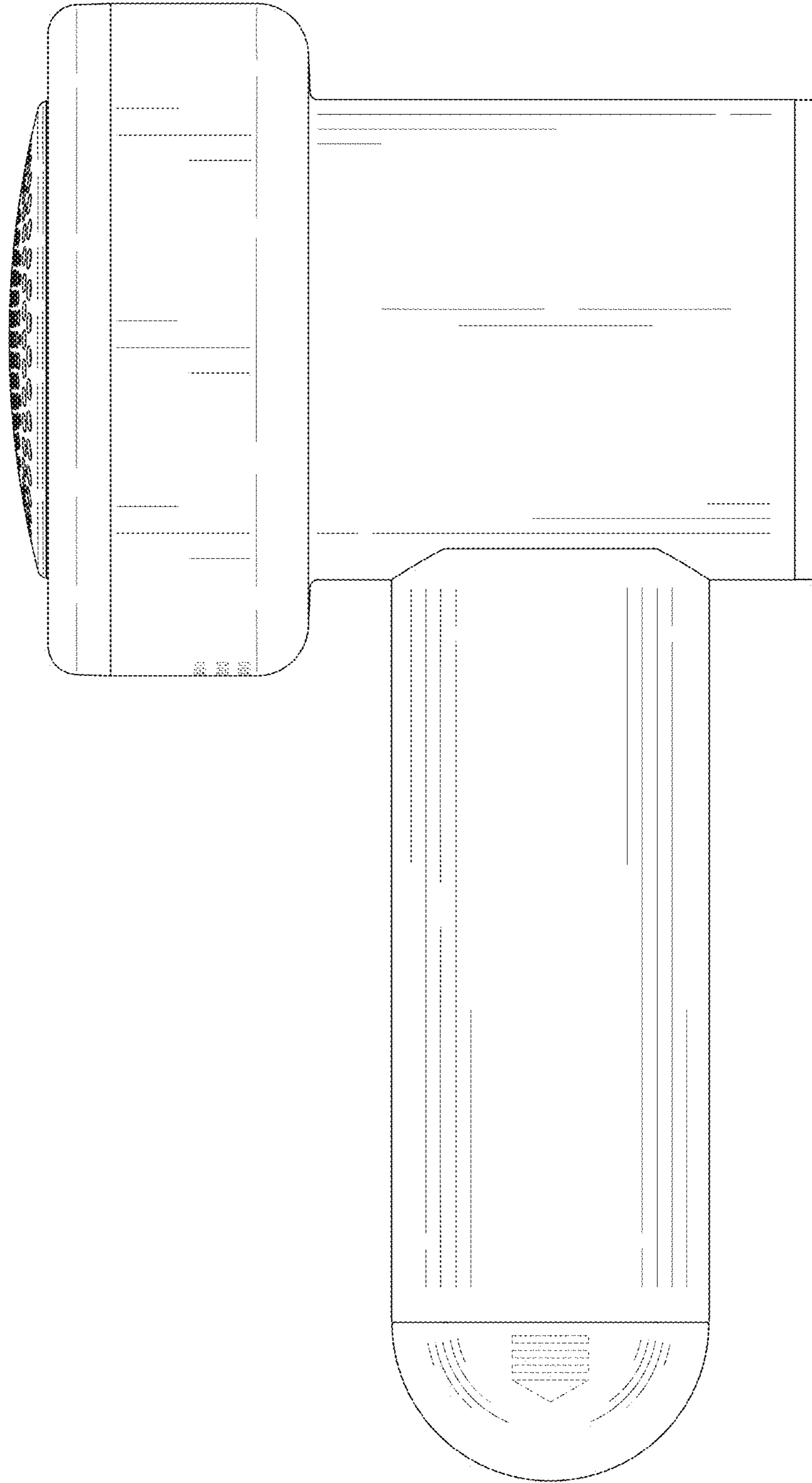


FIG.5

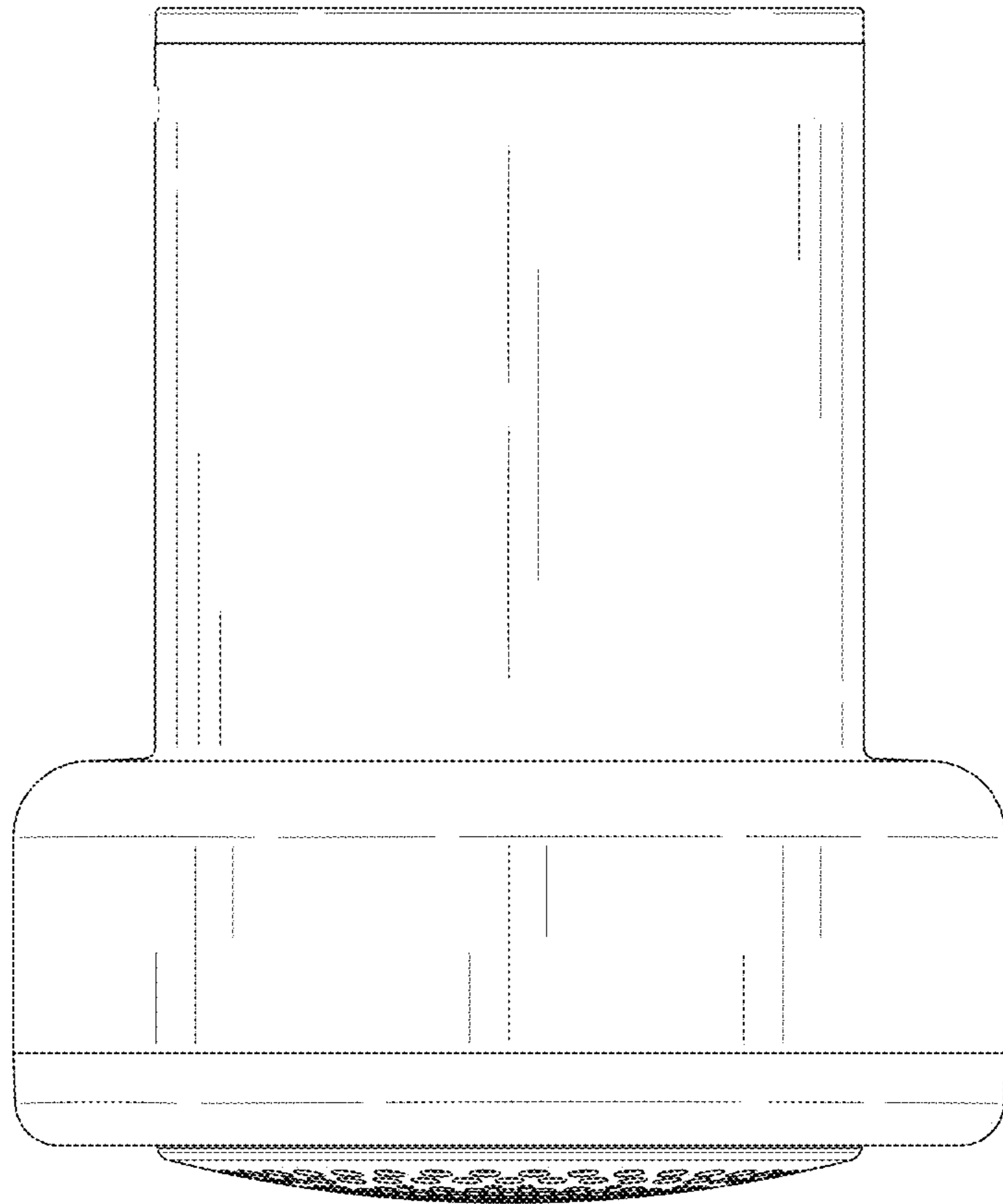


FIG.6

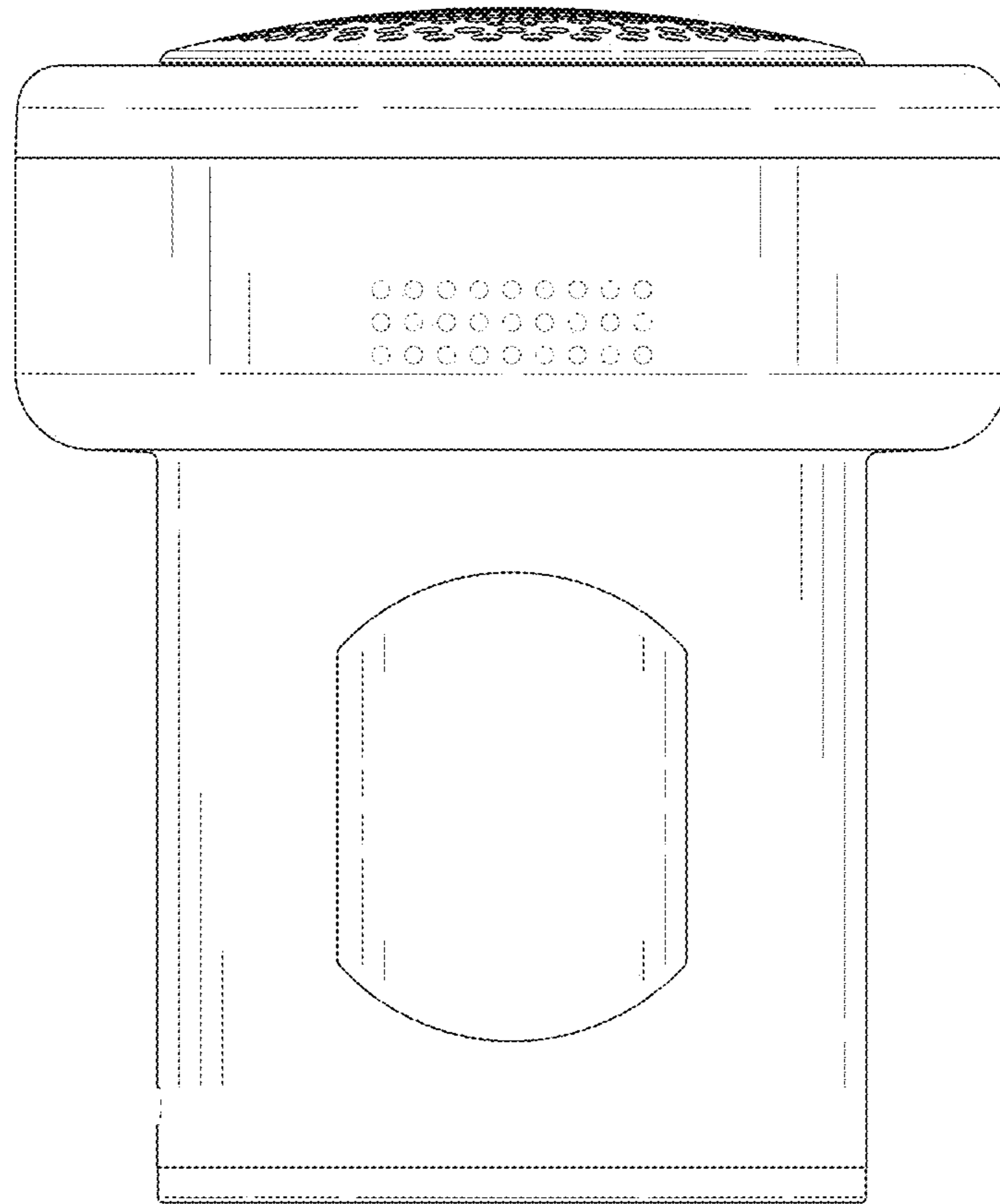


FIG. 7

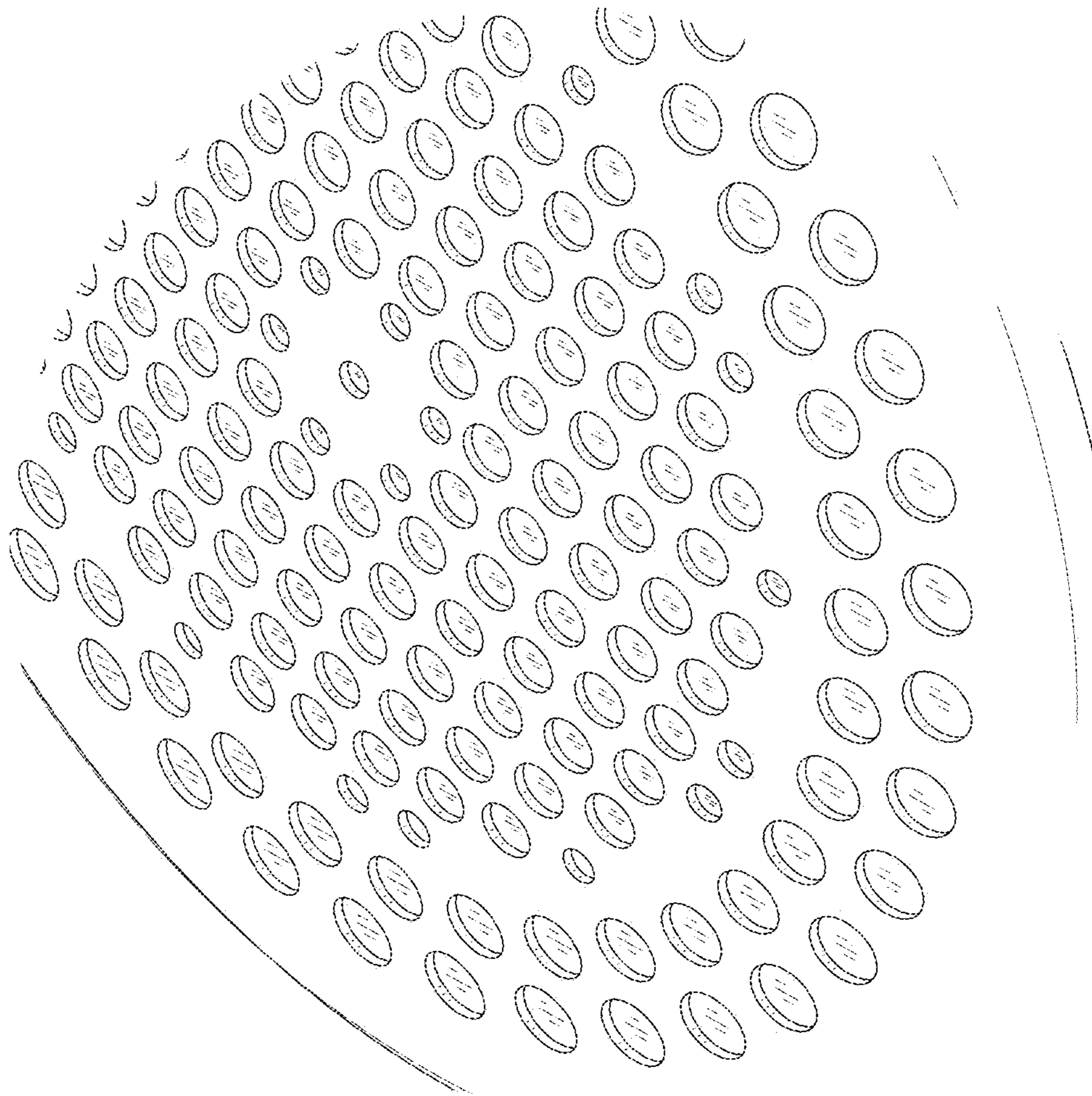


FIG. 8

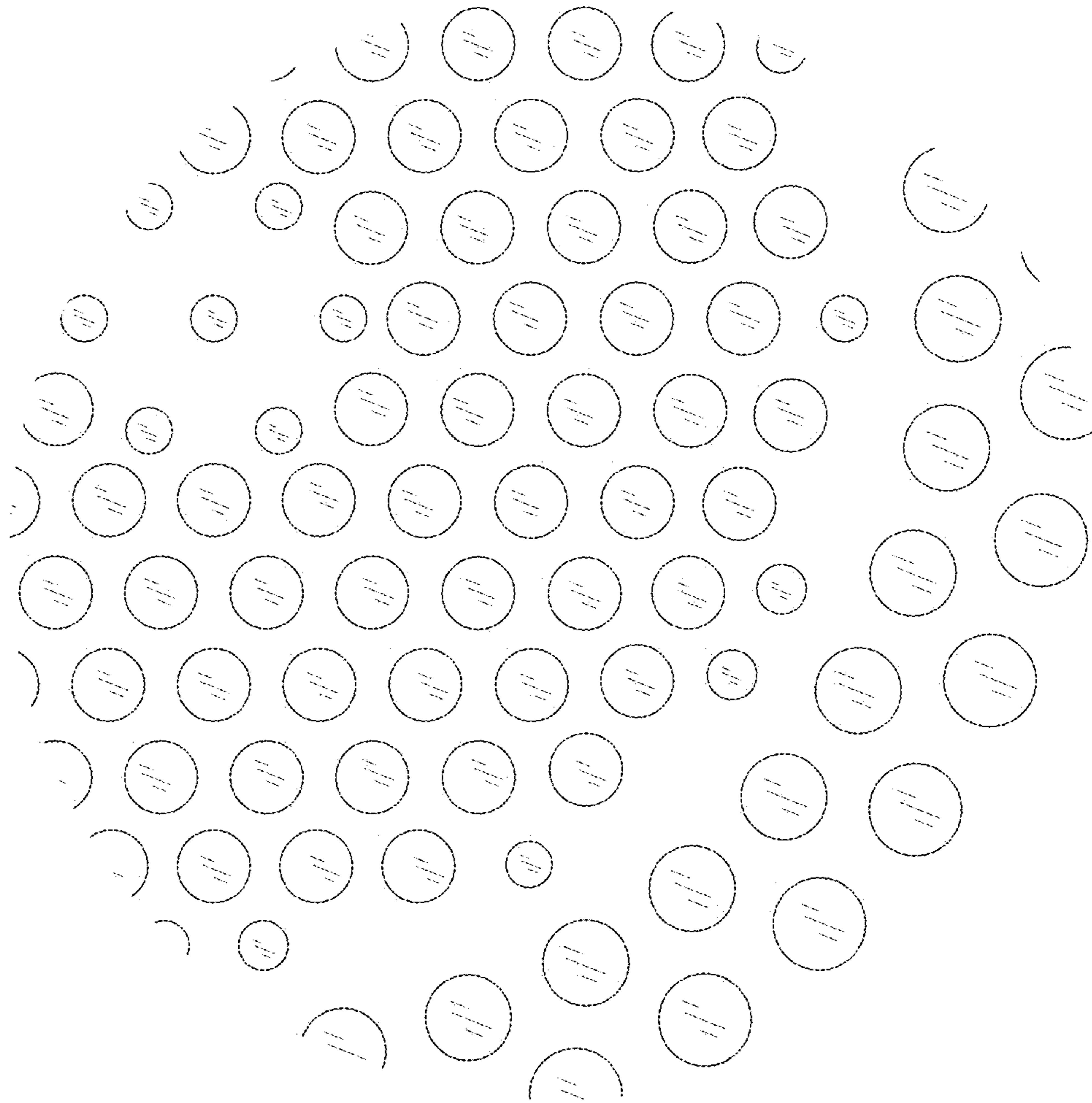


FIG.9