



US00D974656S

(12) **United States Design Patent**
Pangburn

(10) **Patent No.:** **US D974,656 S**

(45) **Date of Patent:** **** Jan. 3, 2023**

(54) **GROOMING DEVICE**

(71) Applicant: **LEXMARK INTERNATIONAL, INC.**, Lexington, KY (US)

(72) Inventor: **Thomas Eugene Pangburn**, Winchester, KY (US)

(73) Assignee: **LEXMARK INTERNATIONAL, INC.**, Lexington, KY (US)

(**) Term: **15 Years**

(21) Appl. No.: **29/766,495**

(22) Filed: **Jan. 15, 2021**

(51) **LOC (14) Cl.** **28-03**

(52) **U.S. Cl.**
USPC **D28/35**

(58) **Field of Classification Search**
USPC D28/10, 35
CPC . A45D 2/00; A45D 2/001; A45D 6/00; A45D 7/00; A45D 7/02; A45D 7/04; A45D 7/06; A45D 7/08; A45D 2001/004
See application file for complete search history.

(56) **References Cited**

U.S. PATENT DOCUMENTS

D609,401 S *	2/2010	Yang	D28/35
D832,511 S *	10/2018	Chandra	D28/35
D833,070 S *	11/2018	Chandra	D28/35
D865,287 S *	10/2019	Feng	D28/35
D870,968 S *	12/2019	Peng	D28/35
D875,311 S *	2/2020	Yang	D28/35

D877,413 S *	3/2020	Lin	D28/35
D884,272 S *	5/2020	Liao	D28/35
D901,076 S *	11/2020	Kim	D28/35
D901,077 S *	11/2020	Kim	D28/35
D901,078 S *	11/2020	Kim	D28/35
D919,176 S *	5/2021	Zheng	D28/35
2017/0164707 A1 *	6/2017	Cowdry	A45D 2/001

OTHER PUBLICATIONS

Solexio Hair, photo published on Jun. 3, 2021 on facebook.com, retrieved from: <https://www.facebook.com/SOLEXIOHAIR/>.*

* cited by examiner

Primary Examiner — Alison M Ofstun

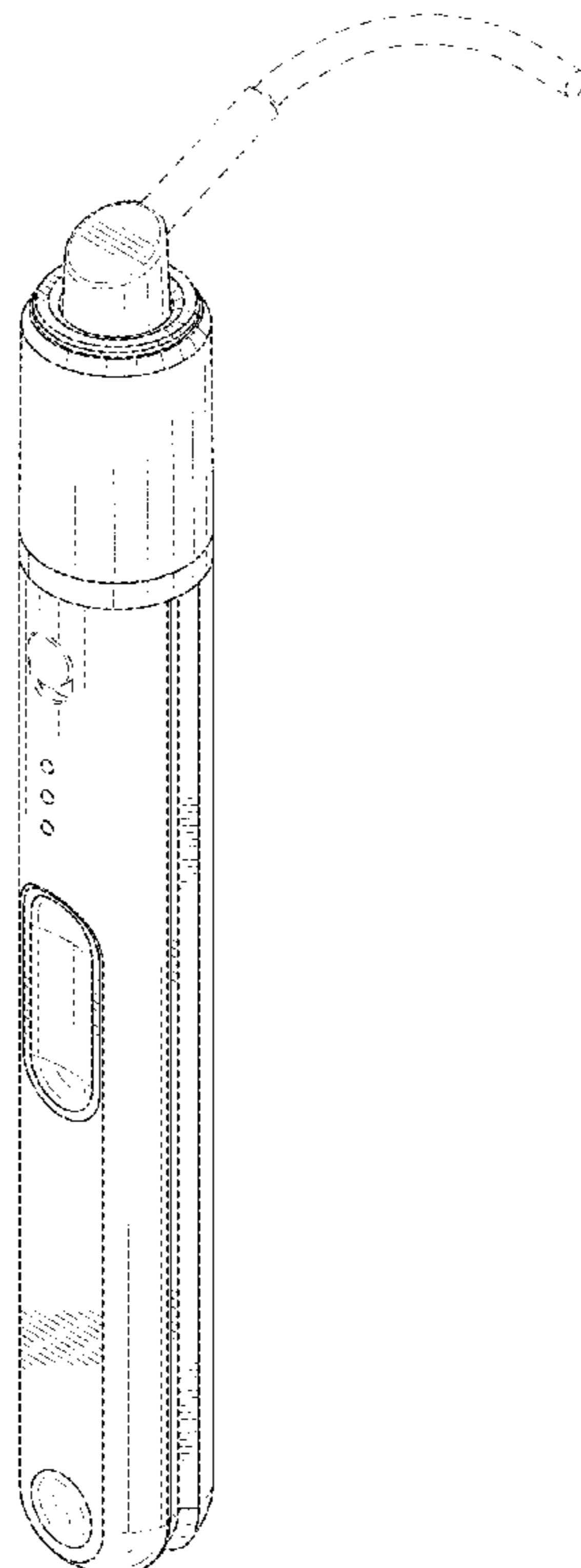
(57) **CLAIM**

The ornamental design for a grooming device, as shown and described.

DESCRIPTION

FIG. 1 is a top, front and right side perspective view of a grooming device showing our new design;
FIG. 2 is a bottom, rear, and left side perspective view of the grooming device;
FIG. 3 is a front elevation view of the grooming device;
FIG. 4 is a right side elevation view of the grooming device;
FIG. 5 is a rear elevation view of the grooming device;
FIG. 6 is a left side elevation view of the grooming device;
FIG. 7 is a top plan view of the grooming device; and,
FIG. 8 is a bottom plan view of the grooming device.
The broken lines shown in the drawings depict portions of the grooming device that form no part of the claimed design.

1 Claim, 5 Drawing Sheets



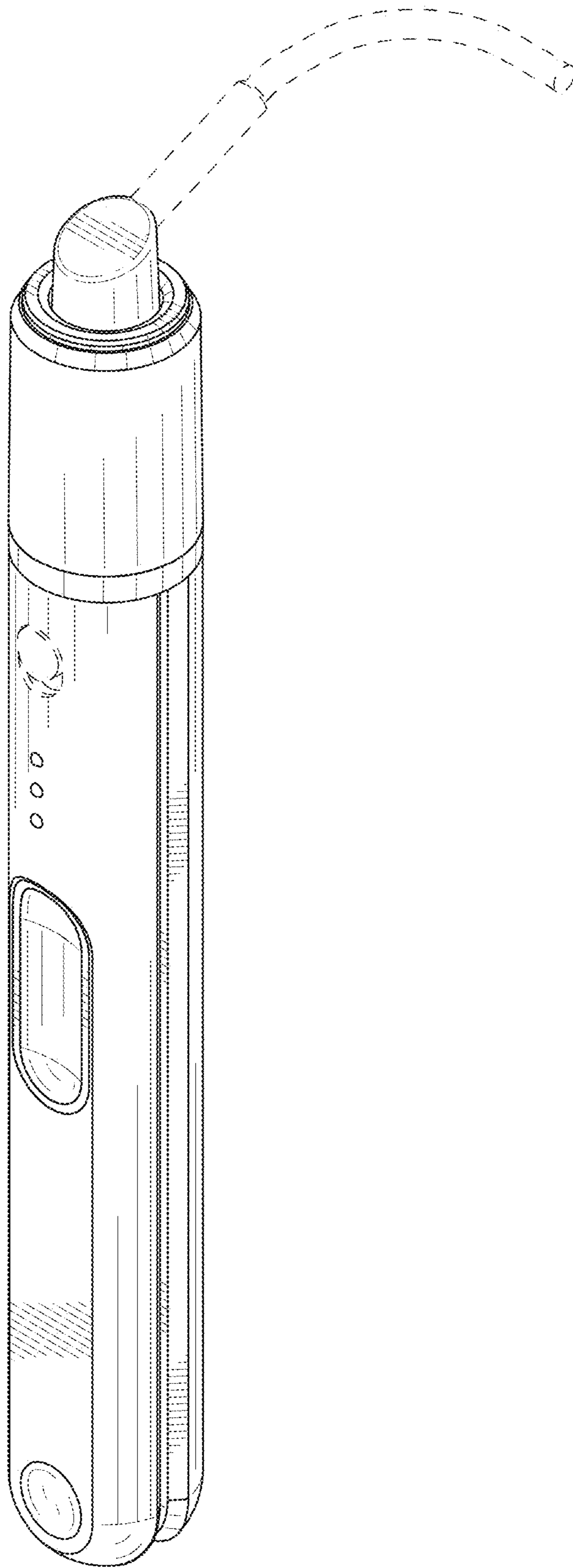


FIG. 1

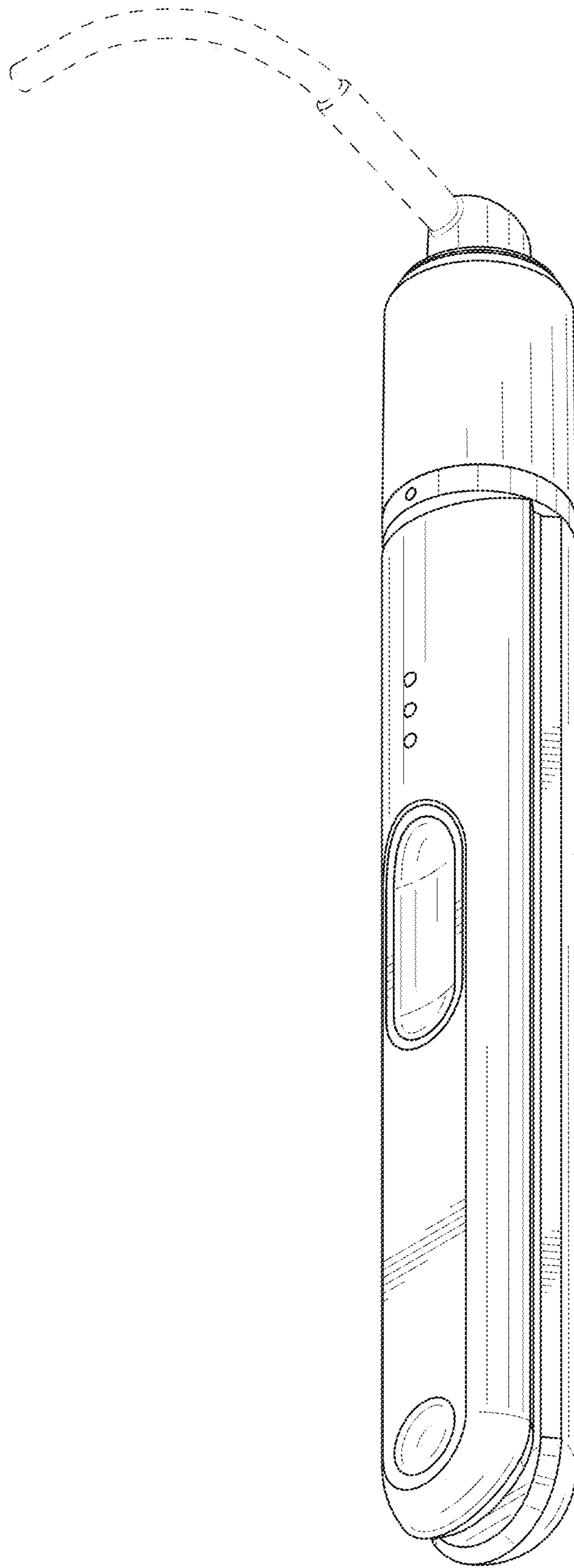


FIG. 2

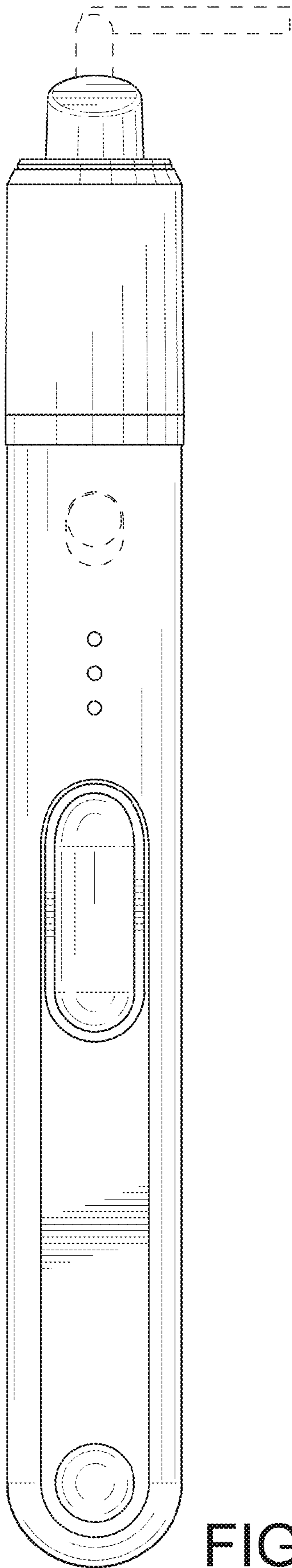


FIG. 3

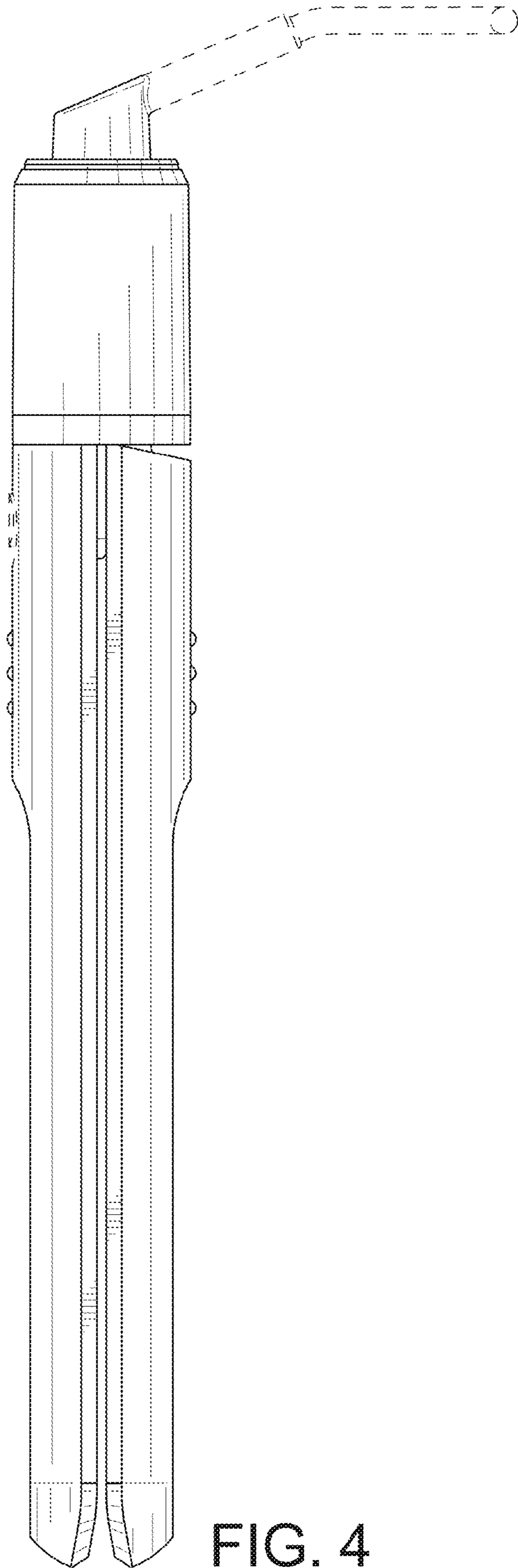


FIG. 4

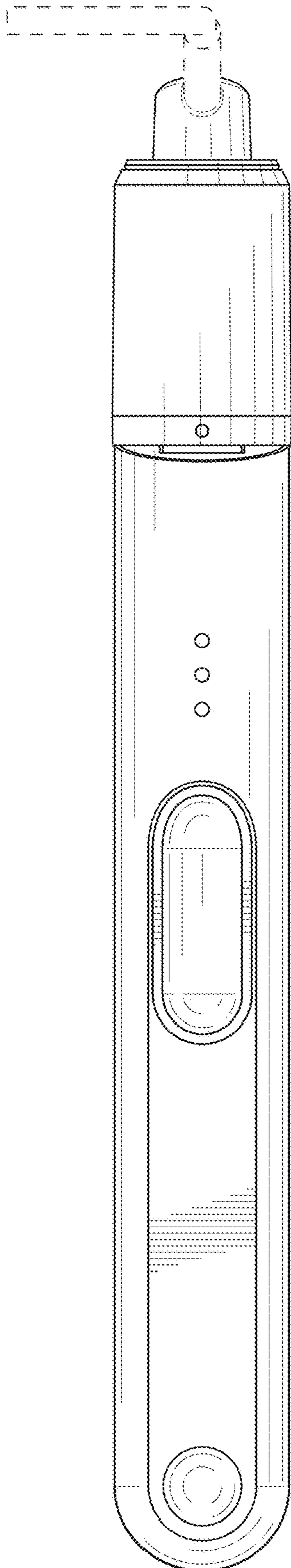


FIG. 5

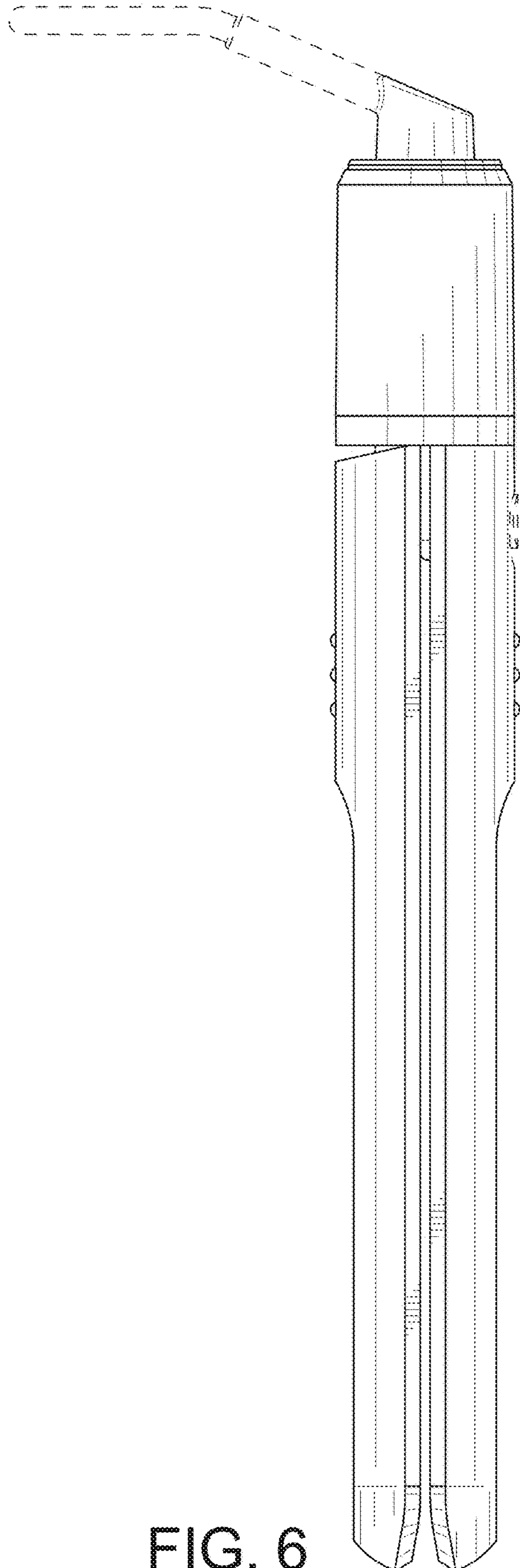


FIG. 6

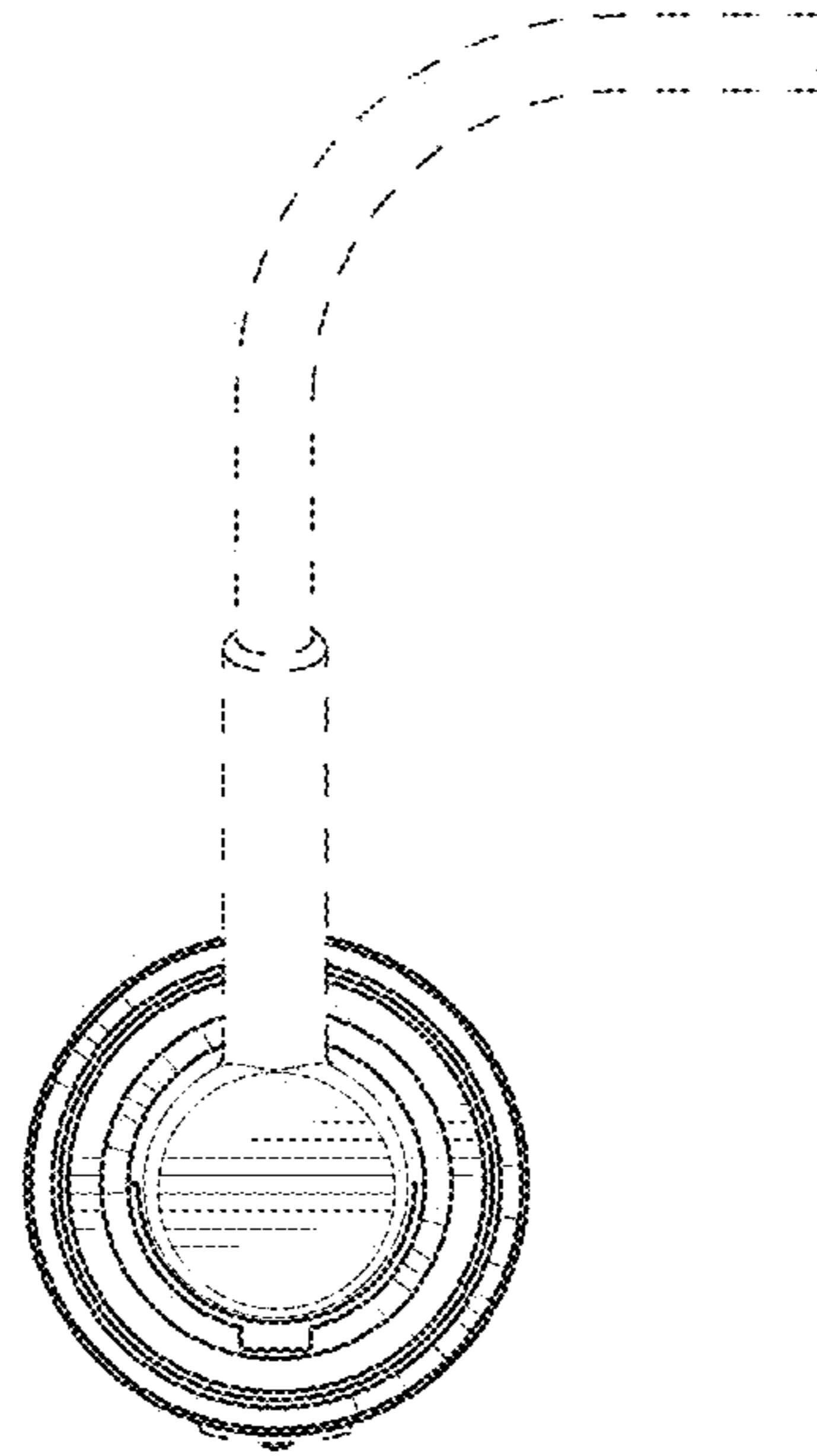


FIG. 7

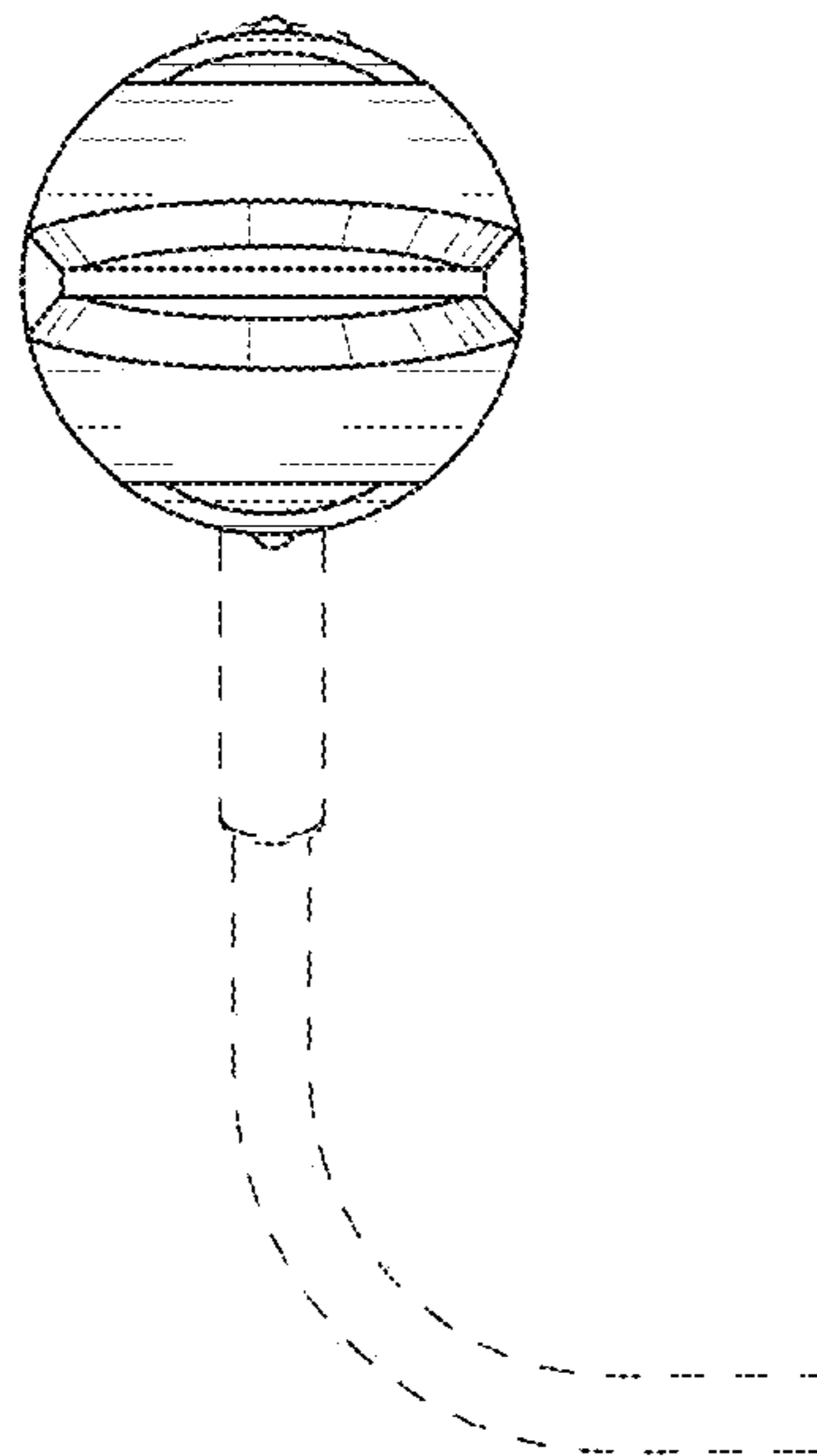


FIG. 8