



US00D974655S

(12) **United States Design Patent**
Li

(10) **Patent No.:** **US D974,655 S**

(45) **Date of Patent:** **** Jan. 3, 2023**

(54) **HAIR DRYER**

(71) Applicant: **Wenke Li**, Chongqing (CN)

(72) Inventor: **Wenke Li**, Chongqing (CN)

(**) Term: **15 Years**

(21) Appl. No.: **29/816,357**

(22) Filed: **Nov. 22, 2021**

(51) **LOC (14) Cl.** **28-03**

(52) **U.S. Cl.**
USPC **D28/13**

(58) **Field of Classification Search**
USPC D28/12-19; D8/29.1
CPC A45D 20/00; A45D 20/04; A45D 20/08;
A45D 20/10; A45D 20/12; A45D
2020/128

See application file for complete search history.

(56) **References Cited**

U.S. PATENT DOCUMENTS

D715,996 S	10/2014	Dyson et al.	
D716,492 S	10/2014	Dyson et al.	
D731,117 S	6/2015	Bates et al.	
D791,407 S *	7/2017	Smith	D28/13
D850,717 S	6/2019	Huang	
D884,965 S *	5/2020	Liu	D28/13

D893,097 S	8/2020	Huang	
D898,281 S *	10/2020	Yang	D28/13
D899,684 S	10/2020	Chen et al.	
D925,825 S *	7/2021	Lo	D28/13
D926,370 S *	7/2021	Sun	D28/13
D934,496 S *	10/2021	Huang	D28/13
D952,248 S *	5/2022	Lei	D28/13
D954,345 S *	6/2022	Ye	D28/13

* cited by examiner

Primary Examiner — Zenia I Bennett

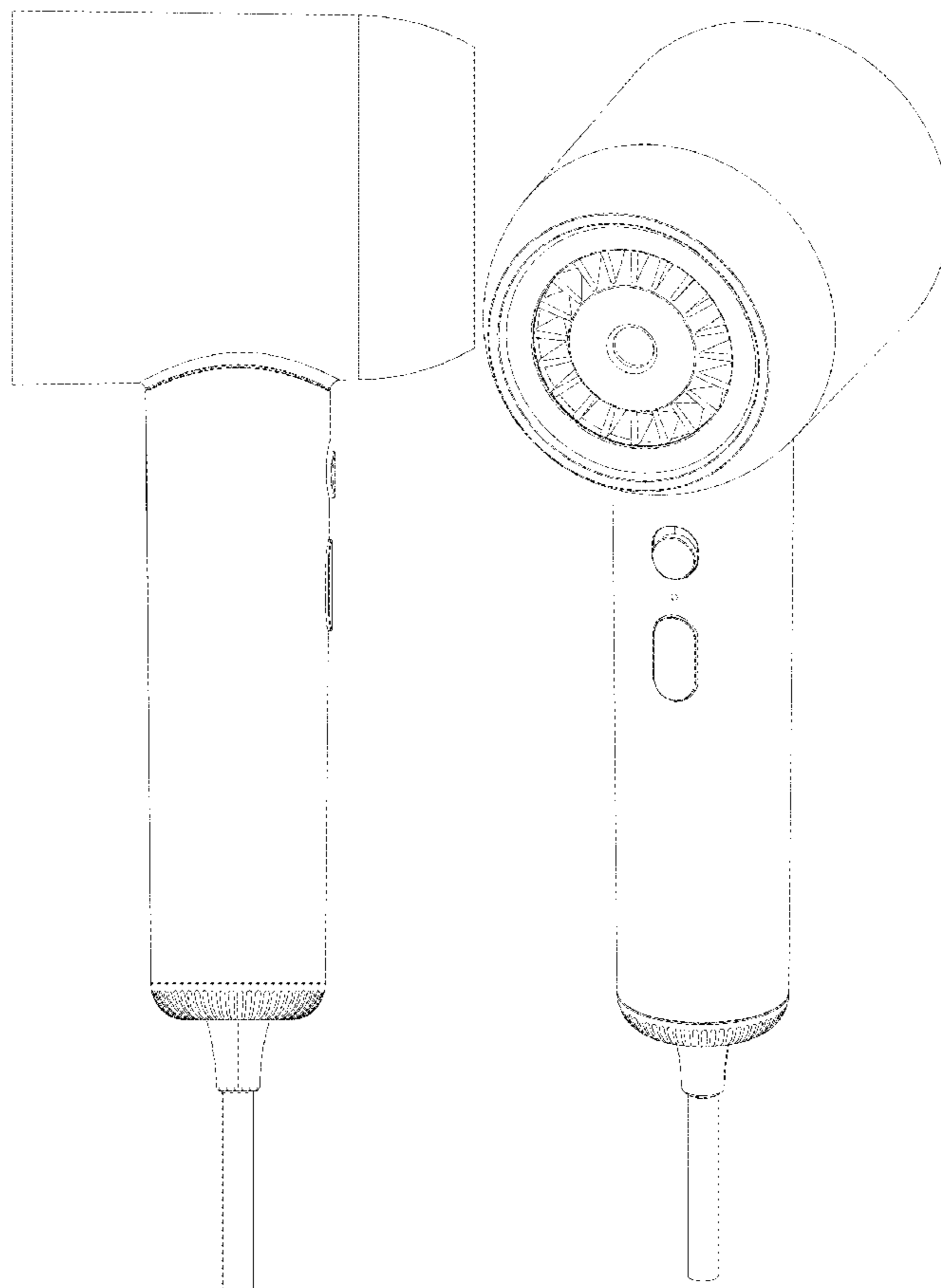
(57) **CLAIM**

The ornamental design for a hair dryer, as shown and described.

DESCRIPTION

FIG. 1 is a front elevational view of a hair dryer showing my new design;
 FIG. 2 is a rear elevational view thereof;
 FIG. 3 is a right side view thereof;
 FIG. 4 is a left side view thereof;
 FIG. 5 is a top plan view thereof;
 FIG. 6 is a bottom plan view thereof;
 FIG. 7 is a perspective view thereof; and,
 FIG. 8 is a second perspective view thereof.
 The broken lines illustrate portions of the hair dryer that do not form part of the claimed design.

1 Claim, 8 Drawing Sheets



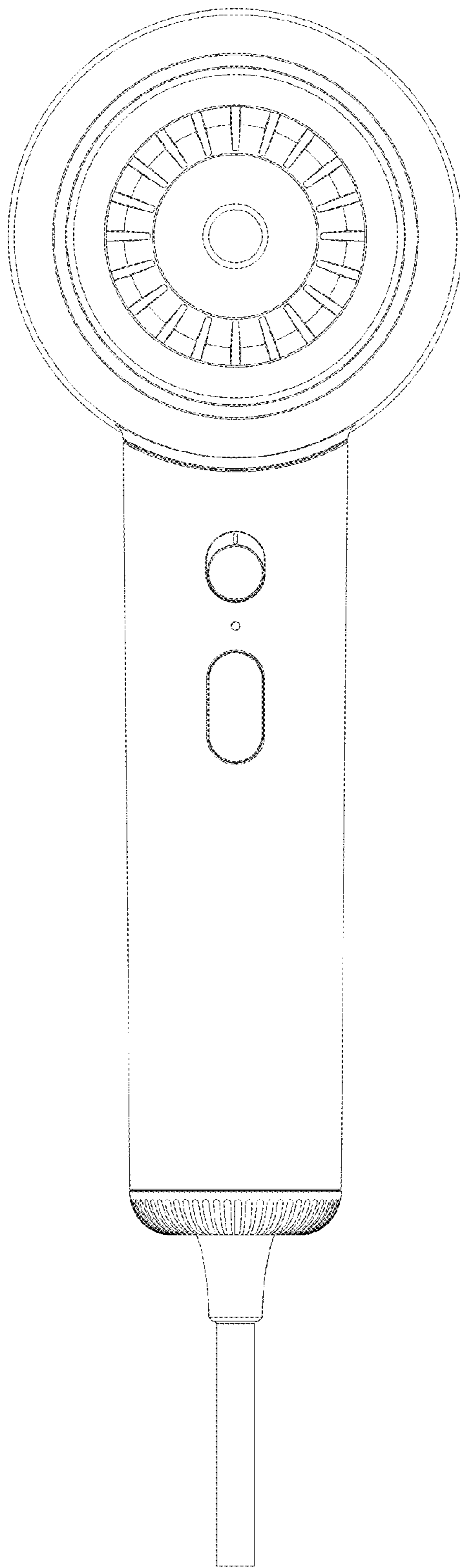


Fig. 1

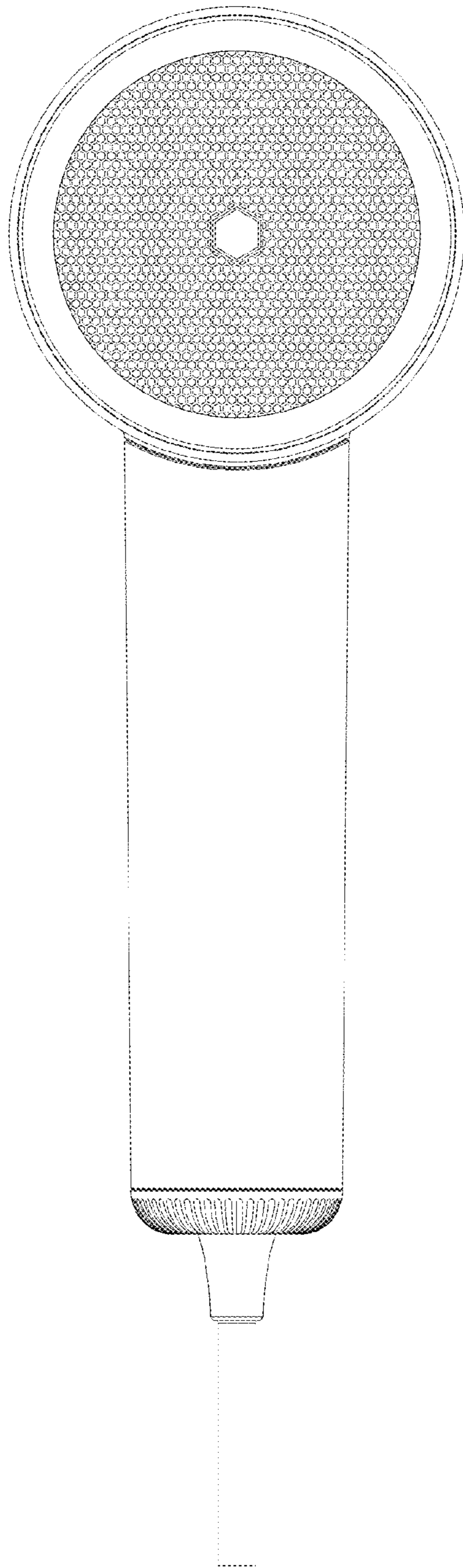


Fig. 2

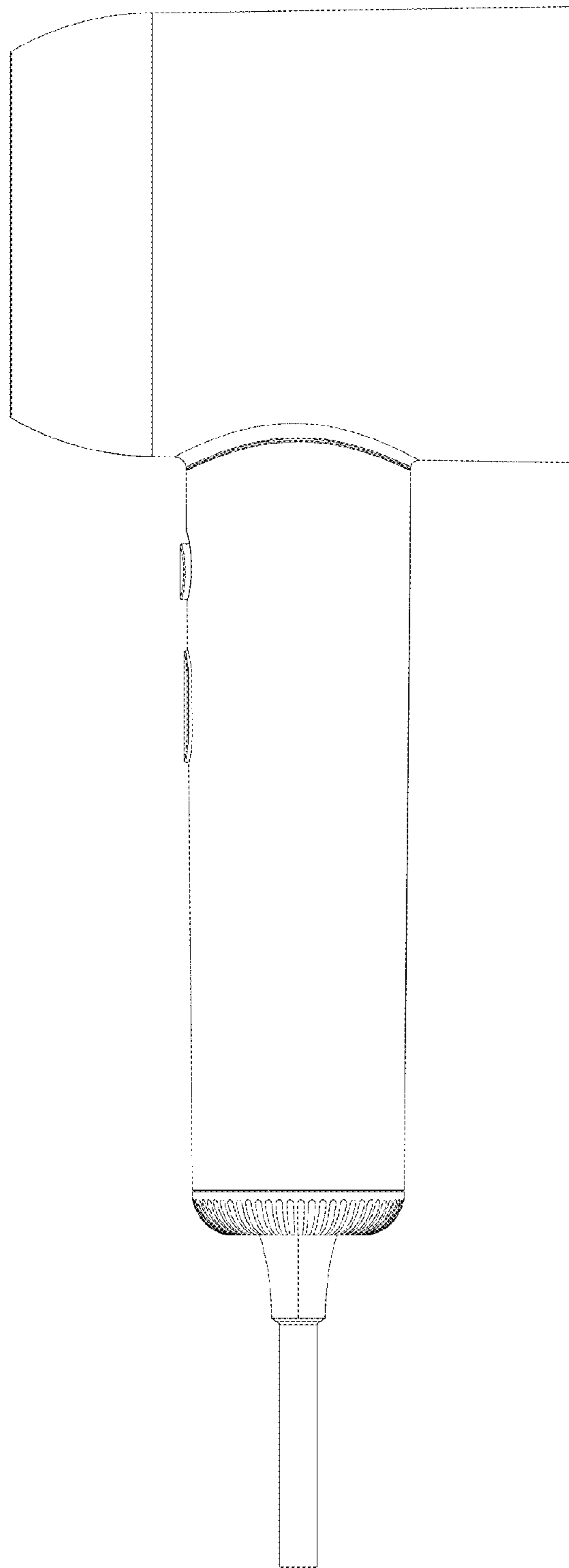


Fig. 3

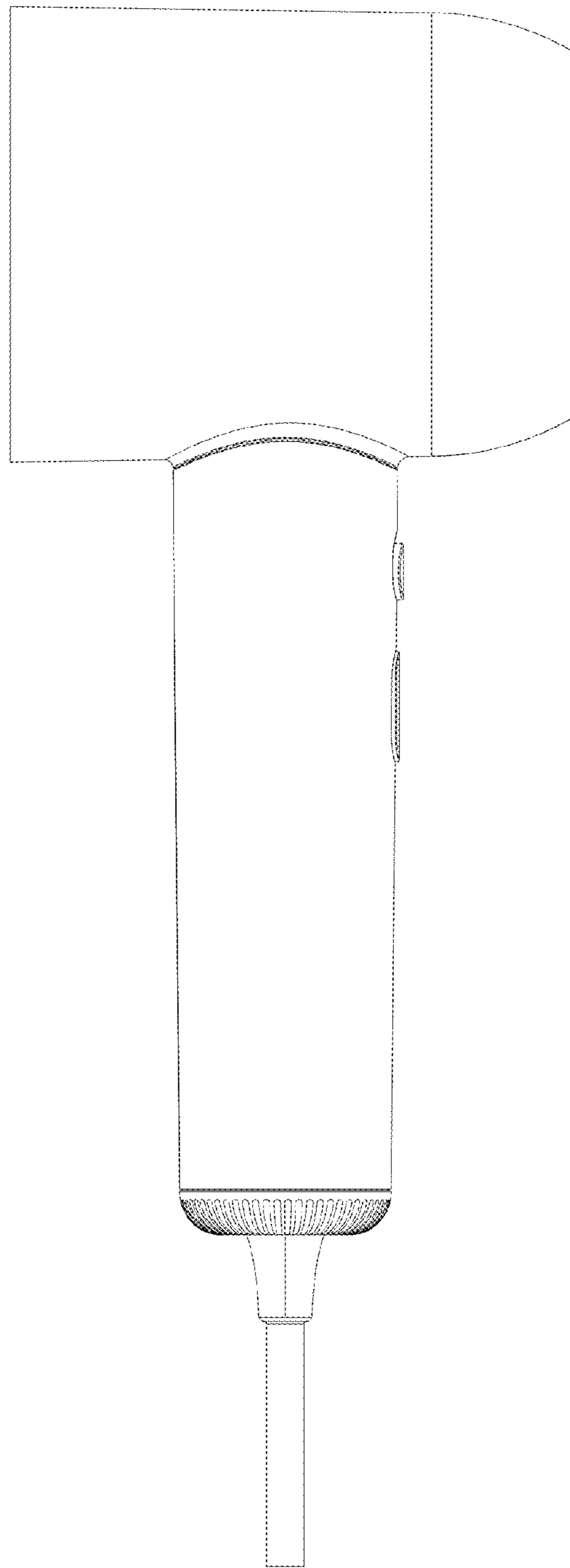


Fig. 4

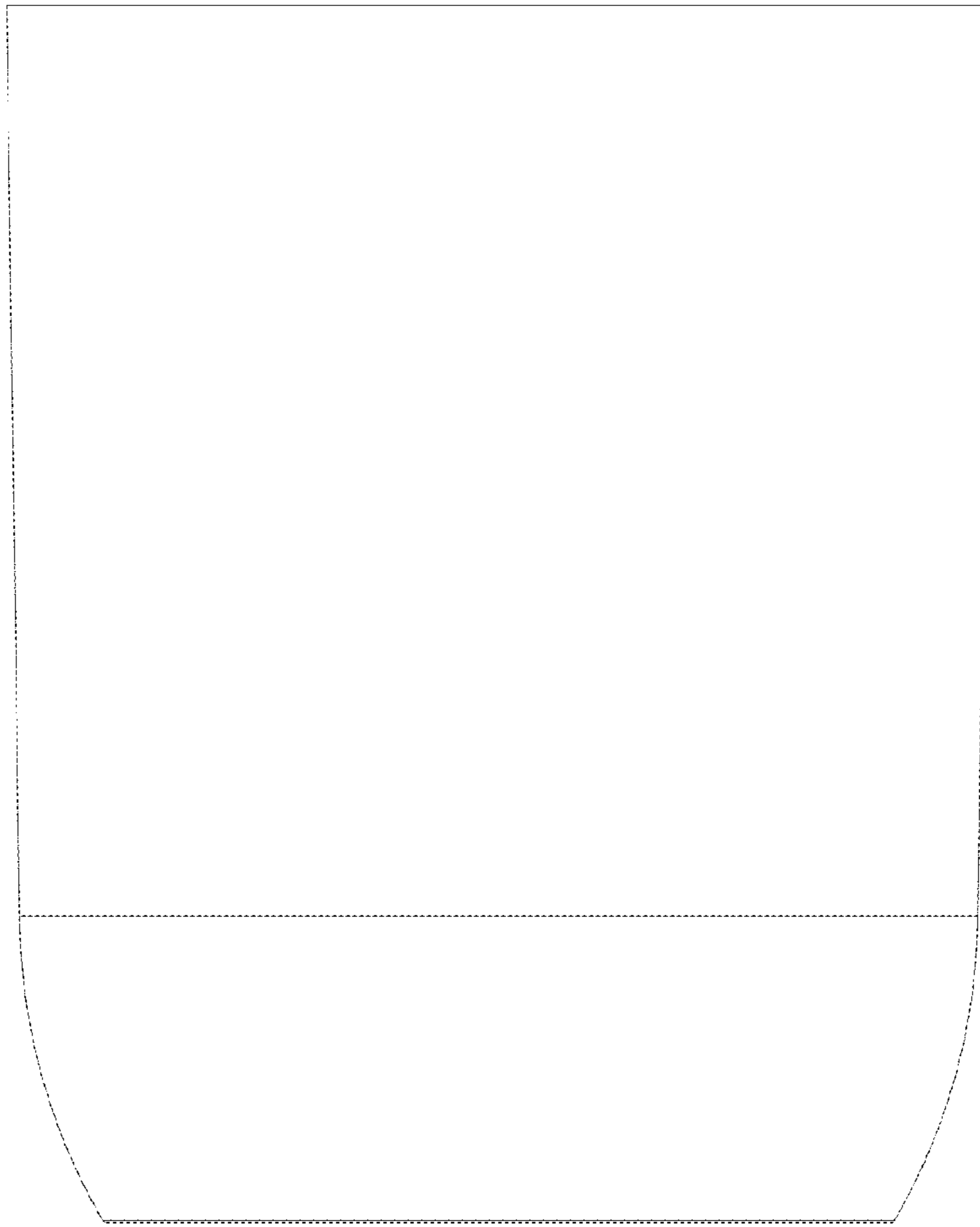


Fig. 5

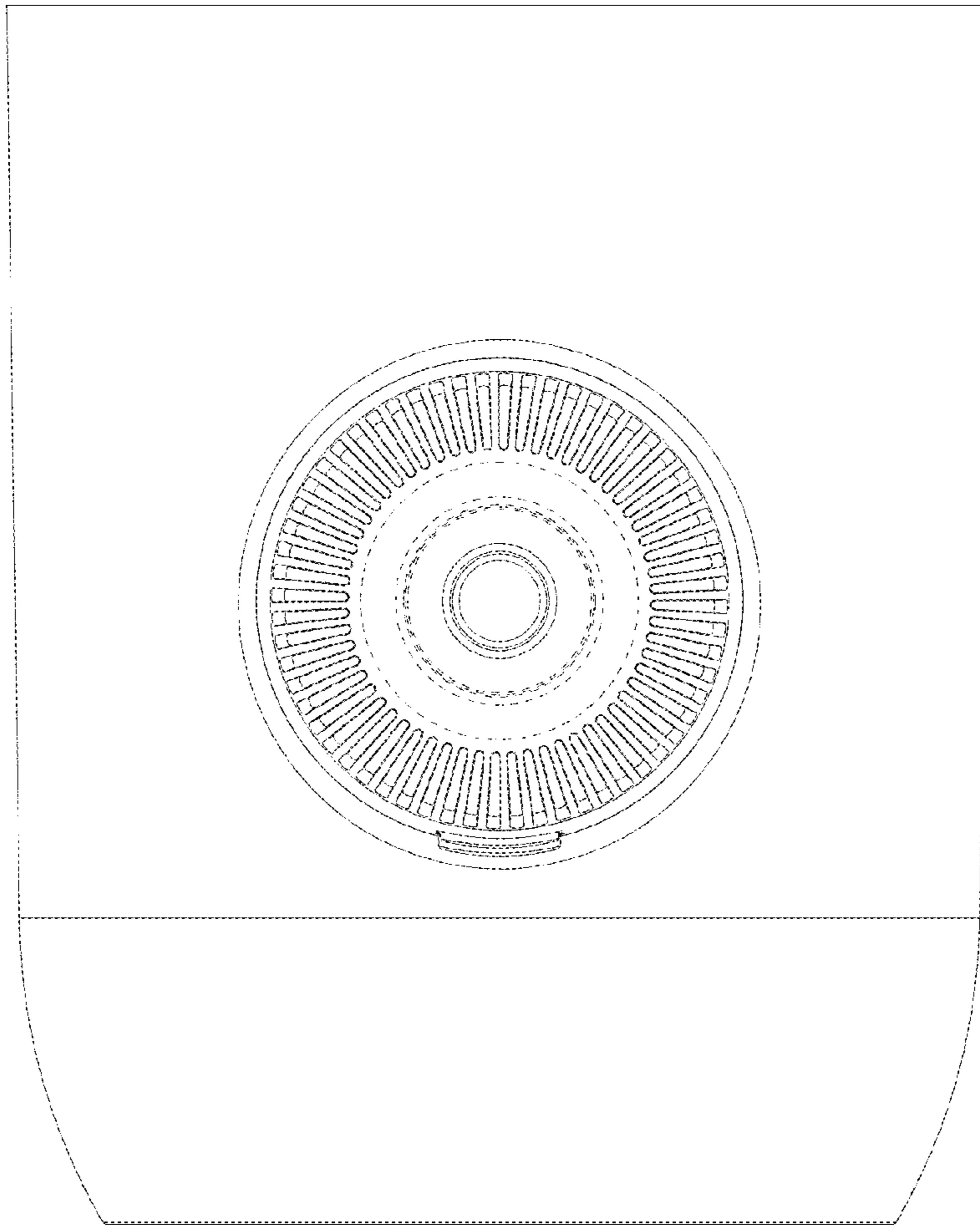


FIG. 6

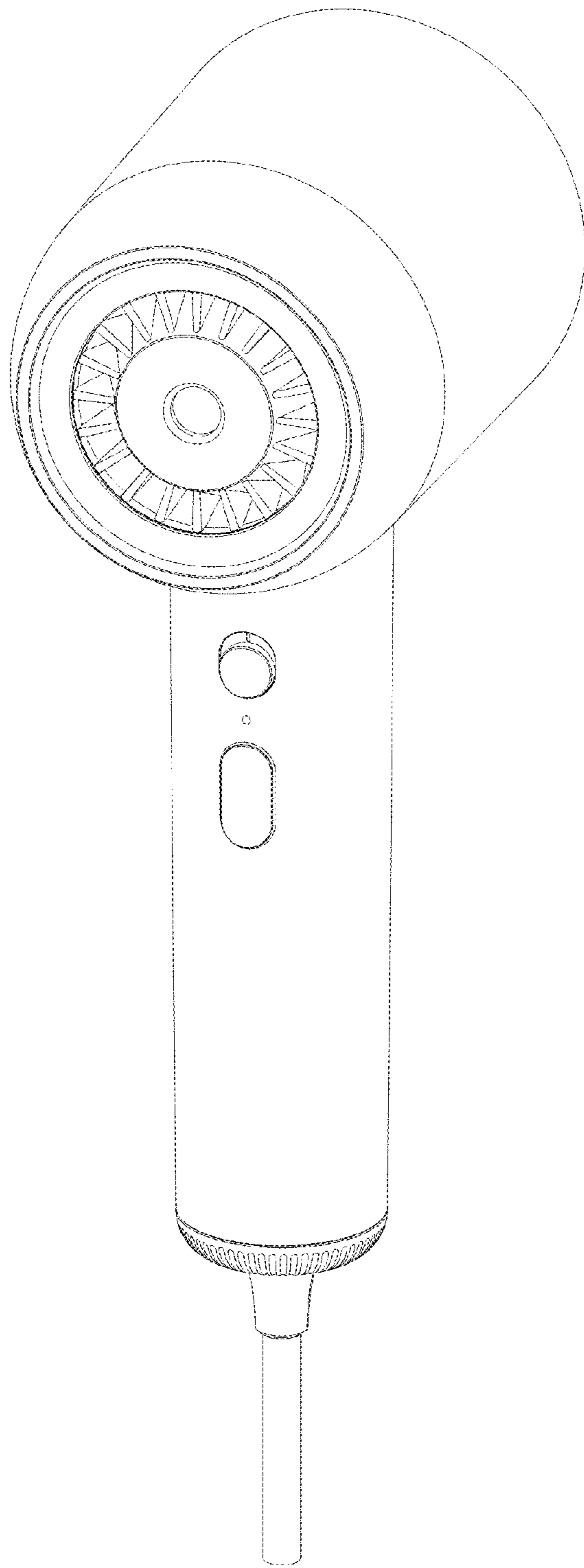


Fig. 7

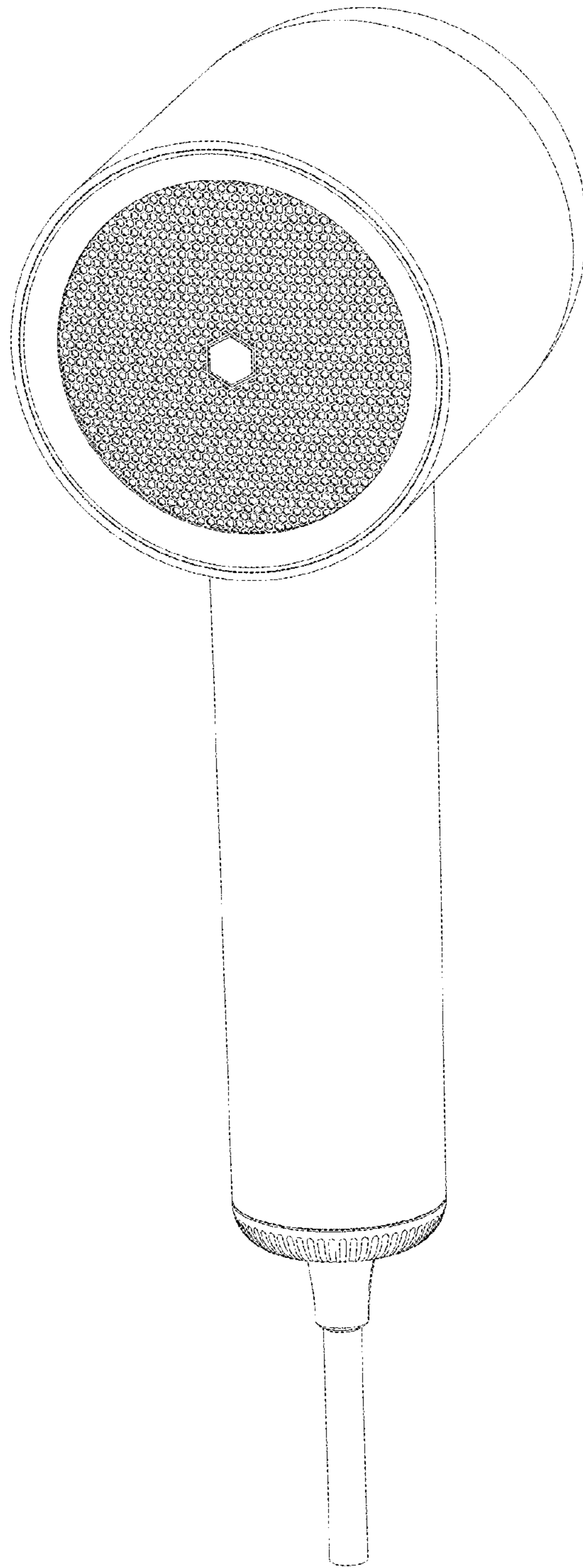


Fig. 8