



US00D974652S

(12) **United States Design Patent**
Huang

(10) **Patent No.:** **US D974,652 S**

(45) **Date of Patent:** **** Jan. 3, 2023**

(54) **CIGAR CASE**

(71) Applicant: **Zhaoguang Huang**, Dongguan (CN)

(72) Inventor: **Zhaoguang Huang**, Dongguan (CN)

(**) Term: **15 Years**

(21) Appl. No.: **29/808,423**

(22) Filed: **Sep. 20, 2021**

(51) **LOC (14) Cl.** **27-06**

(52) **U.S. Cl.**
USPC **D27/189**

(58) **Field of Classification Search**
USPC D27/189, 186, 187, 183, 172, 174, 175,
D27/194; D3/207, 208, 212; D9/414,
D9/432, 436, 643, 648
CPC B65D 85/08; B65D 85/10; B65D 85/1009;
B65D 85/10036; B65D 85/10045; B65D
85/1054; B65D 85/1036; B65D 85/00;
B65D 81/02; B65D 81/022; B65D 81/133
See application file for complete search history.

(56) **References Cited**

U.S. PATENT DOCUMENTS

D374,946 S	*	10/1996	Meurlin	D27/189
D398,715 S	*	9/1998	Descalzo	D27/189
D399,598 S	*	10/1998	Perkins	D27/189
D409,329 S	*	5/1999	Bucher	D27/189
D419,260 S		1/2000	Manzo, Jr.		
D426,018 S		5/2000	White		
D428,195 S		7/2000	Knudsen		
D435,143 S	*	12/2000	Post, Jr.	D27/193

D573,303 S		7/2008	Fuente		
D585,534 S	*	1/2009	Chen	D23/356
D595,454 S		6/2009	Fuente		
D596,788 S		7/2009	Fuente		
D600,402 S		9/2009	Chen		
D677,832 S		3/2013	Fastuca		
D889,959 S	*	7/2020	Burke	D9/432
D910,912 S	*	2/2021	Slate	D27/189
D943,823 S	*	2/2022	Yang	D27/189
2020/0037661 A1	*	2/2020	Slate	A24F 25/02

* cited by examiner

Primary Examiner — Rebecca Tsehaye

(74) *Attorney, Agent, or Firm* — Runit Ranjit Kanakia

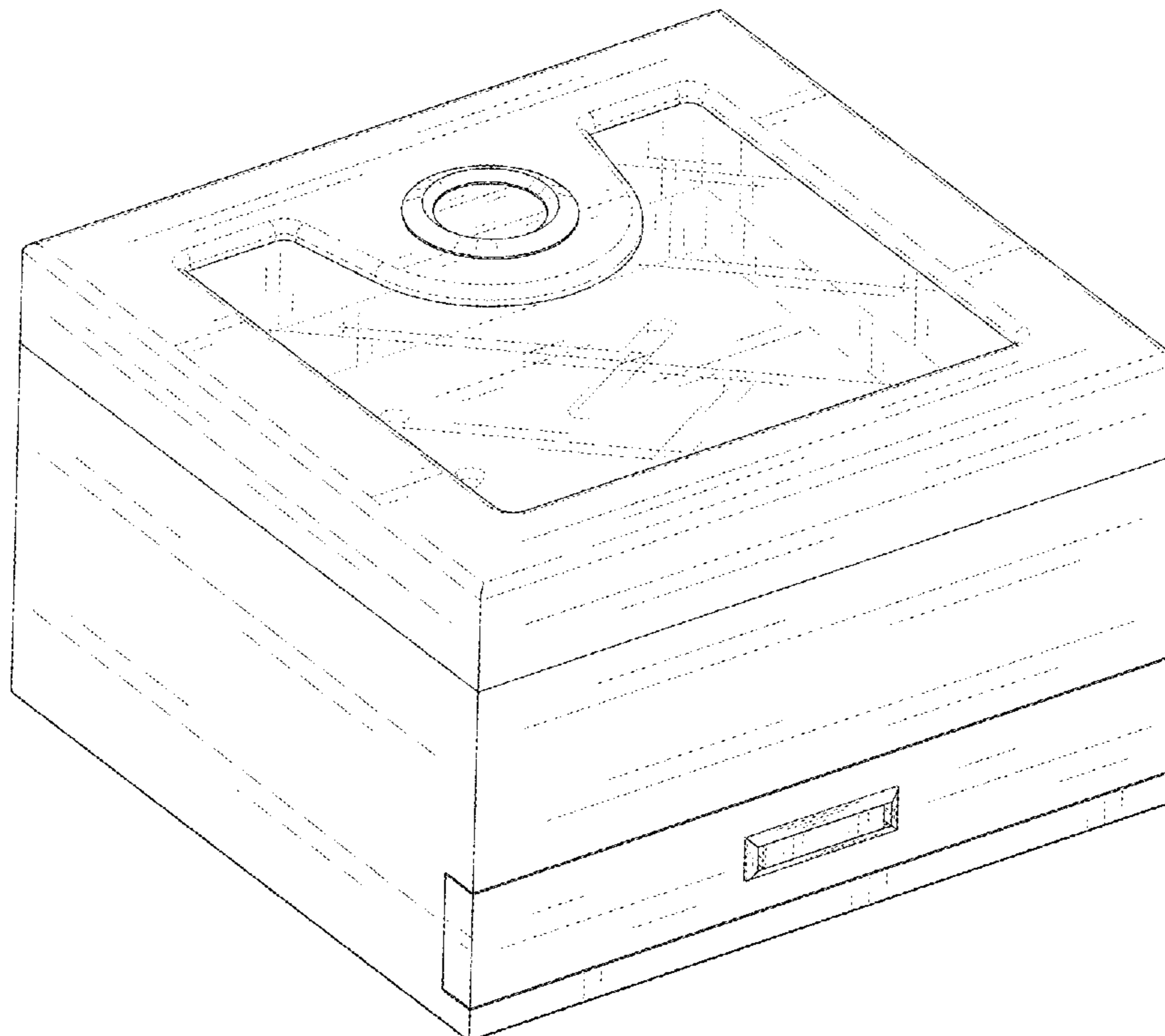
(57) **CLAIM**

The ornamental design for a cigar case, as shown and described.

DESCRIPTION

FIG. 1 is a front elevational view of a cigar case showing my new design;
 FIG. 2 is a rear elevational view thereof;
 FIG. 3 is a left side view thereof;
 FIG. 4 is a right side view thereof;
 FIG. 5 is a top plan view thereof;
 FIG. 6 is a bottom plan view thereof;
 FIG. 7 is a perspective view thereof;
 FIG. 8 is the second perspective view thereof; and,
 FIG. 9 is a perspective view showing that the cover and the drawer of a cigar case are open.
 The broken lines in the figures are for the purposes of illustrating portions of the cigar case, which form no part of the claimed design.

1 Claim, 9 Drawing Sheets



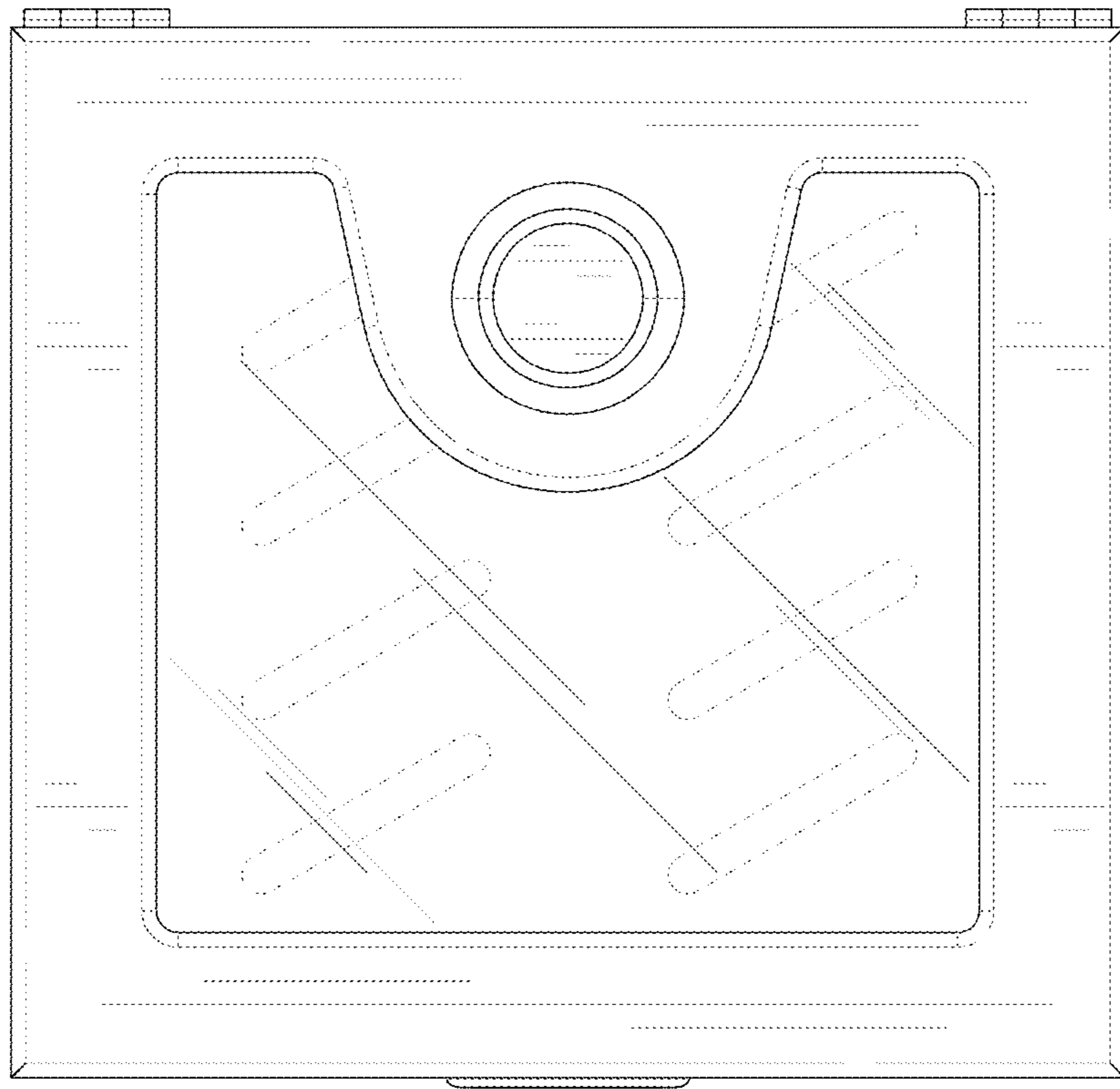


FIG. 1

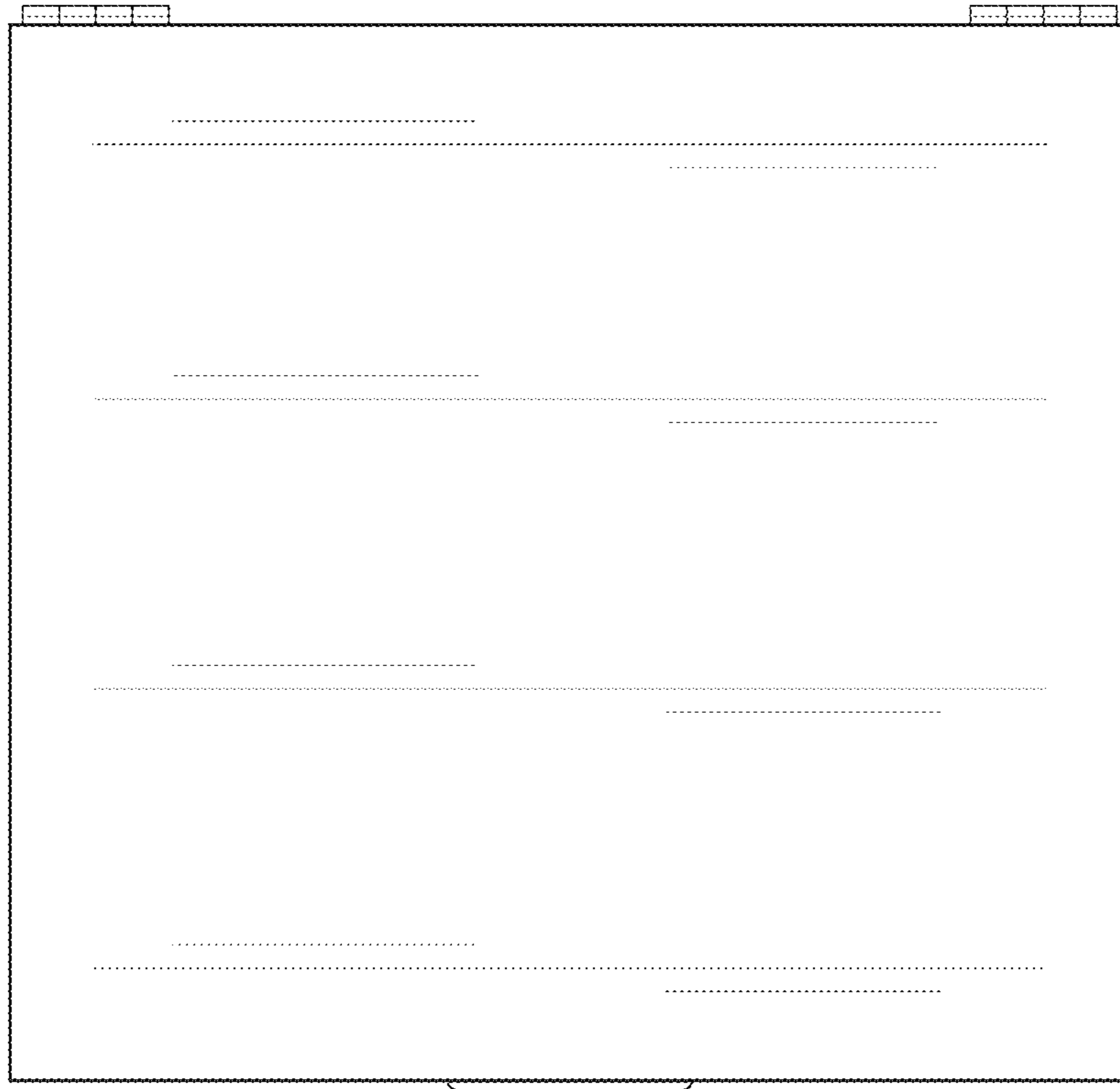


FIG. 2

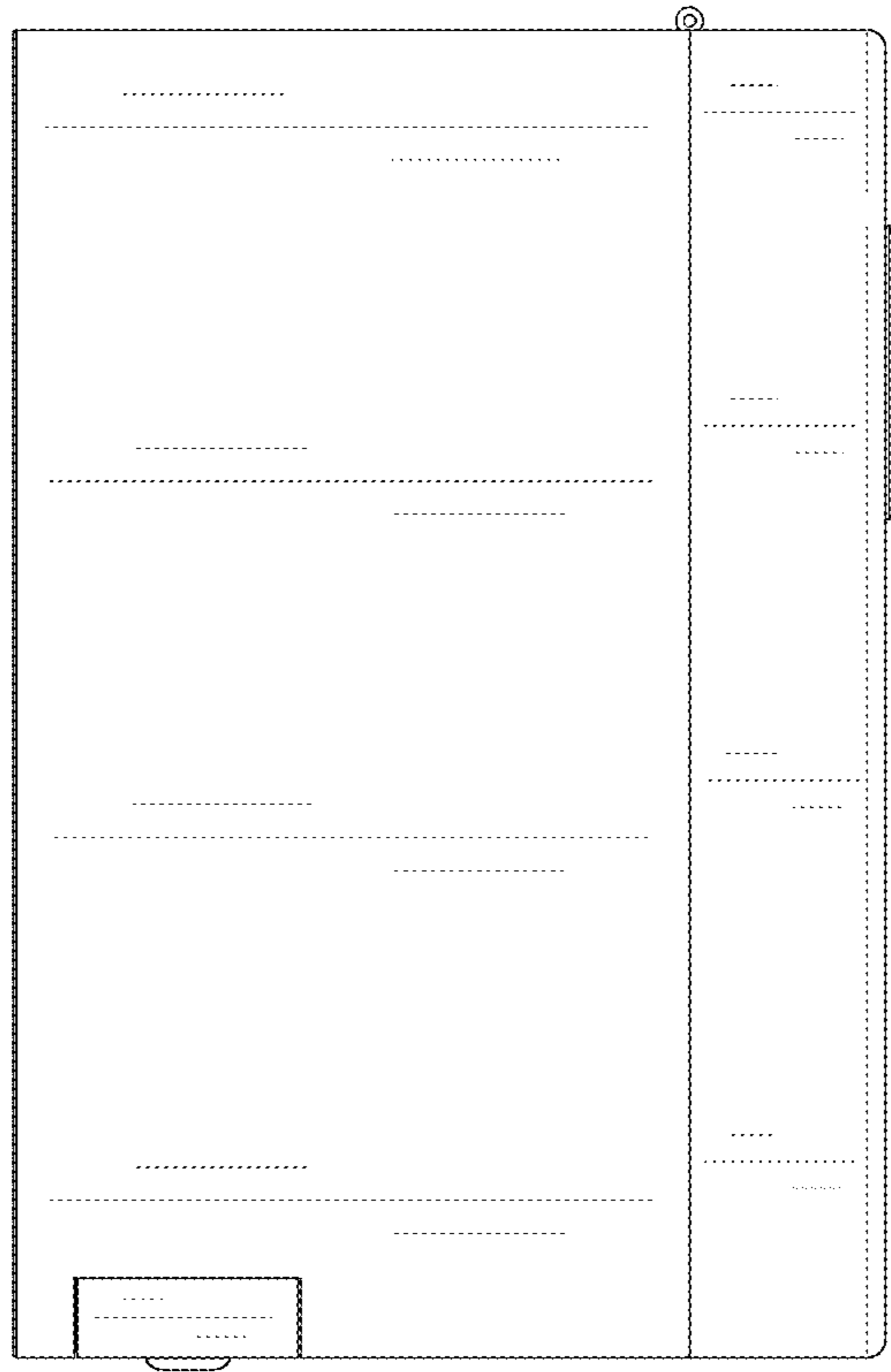


FIG. 3

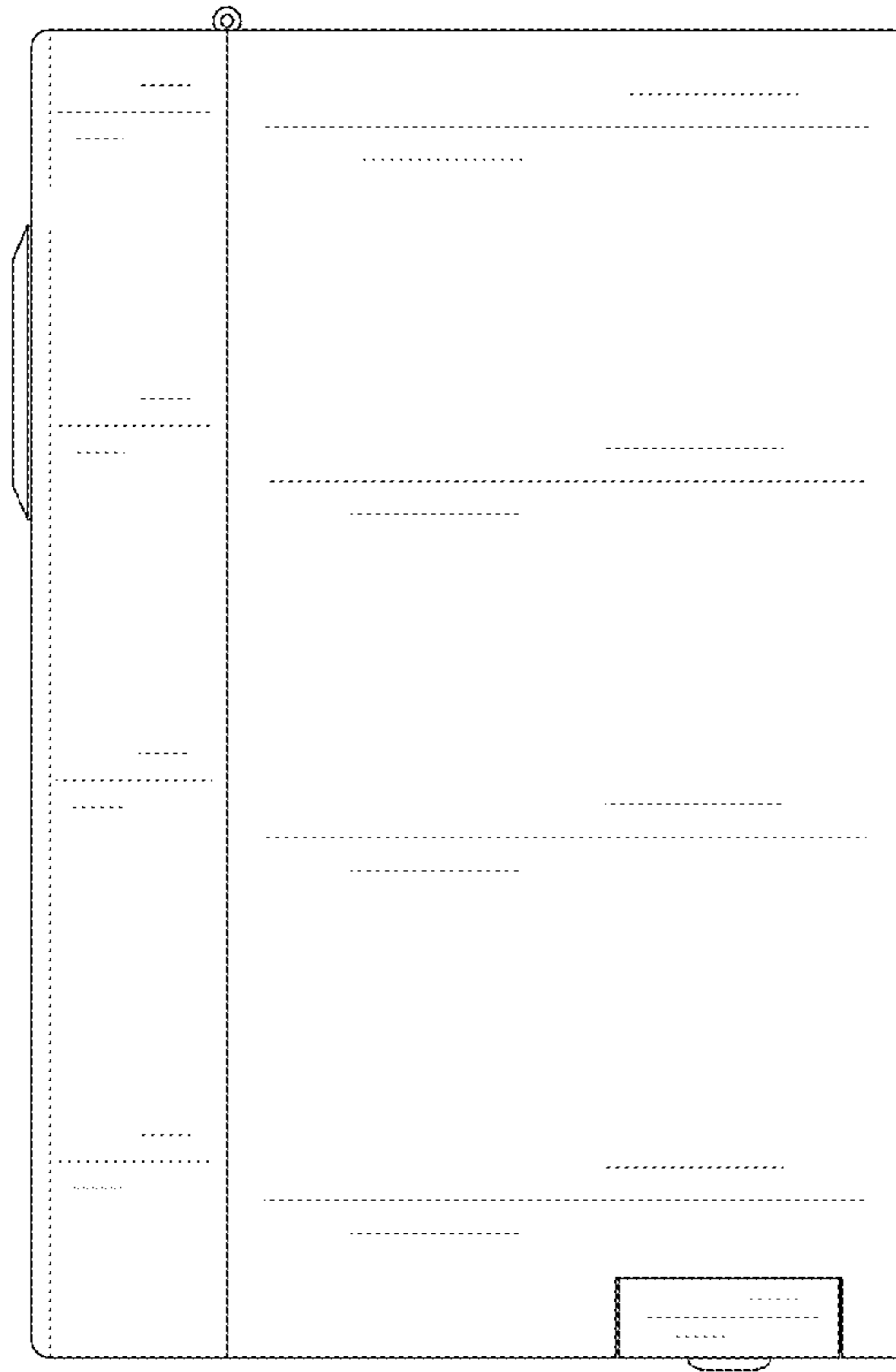


FIG. 4

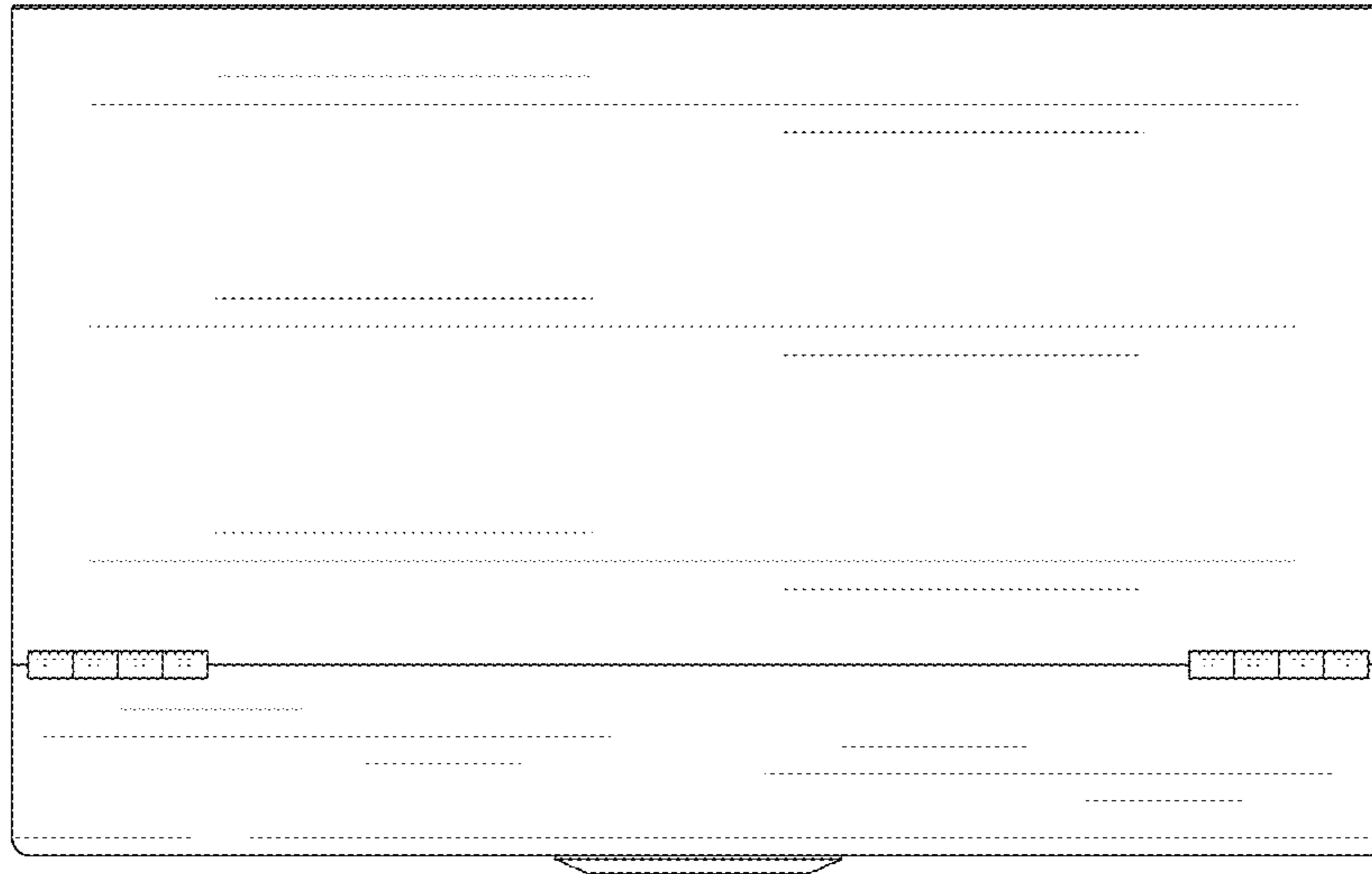


FIG. 5

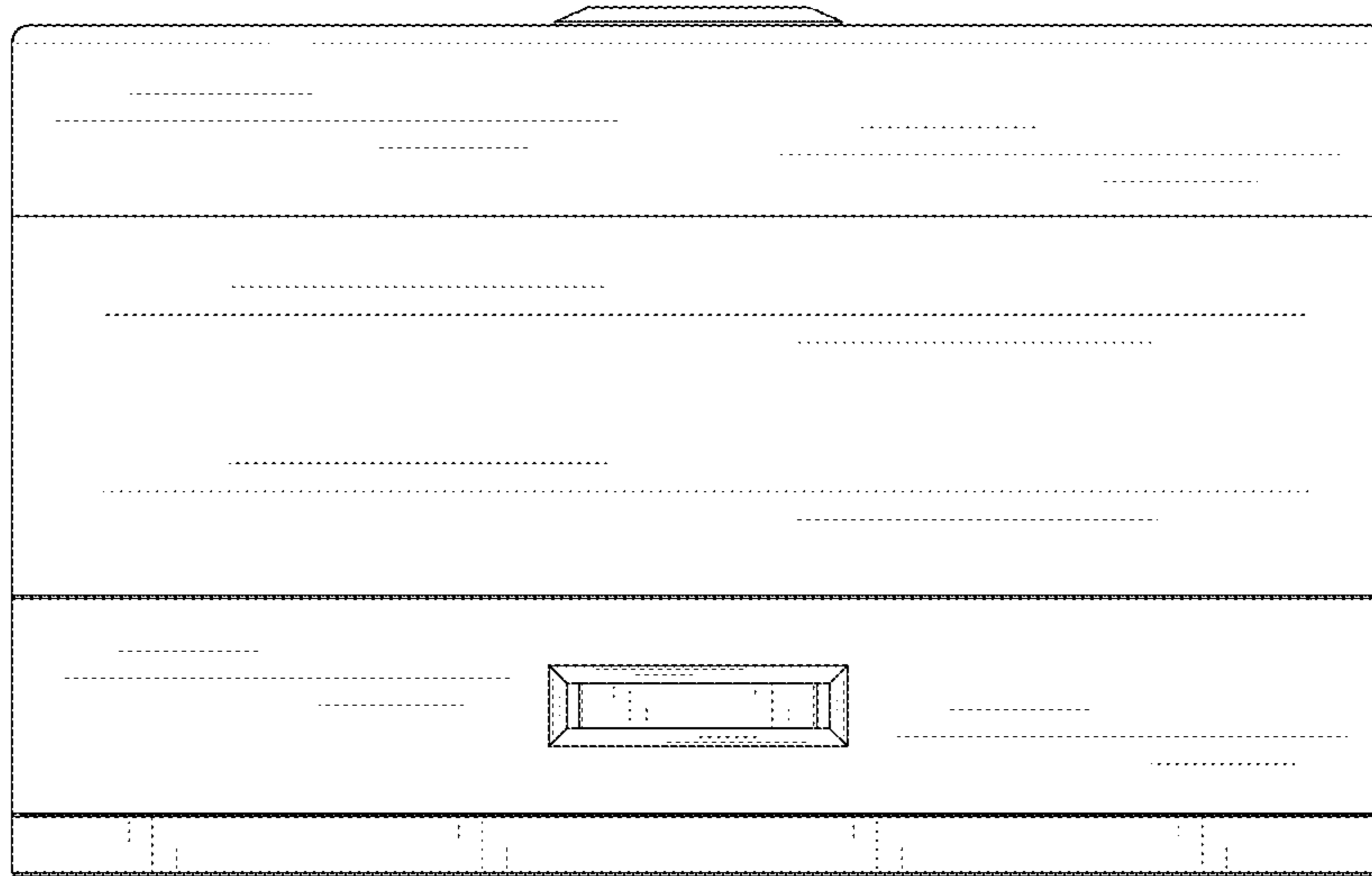


FIG. 6

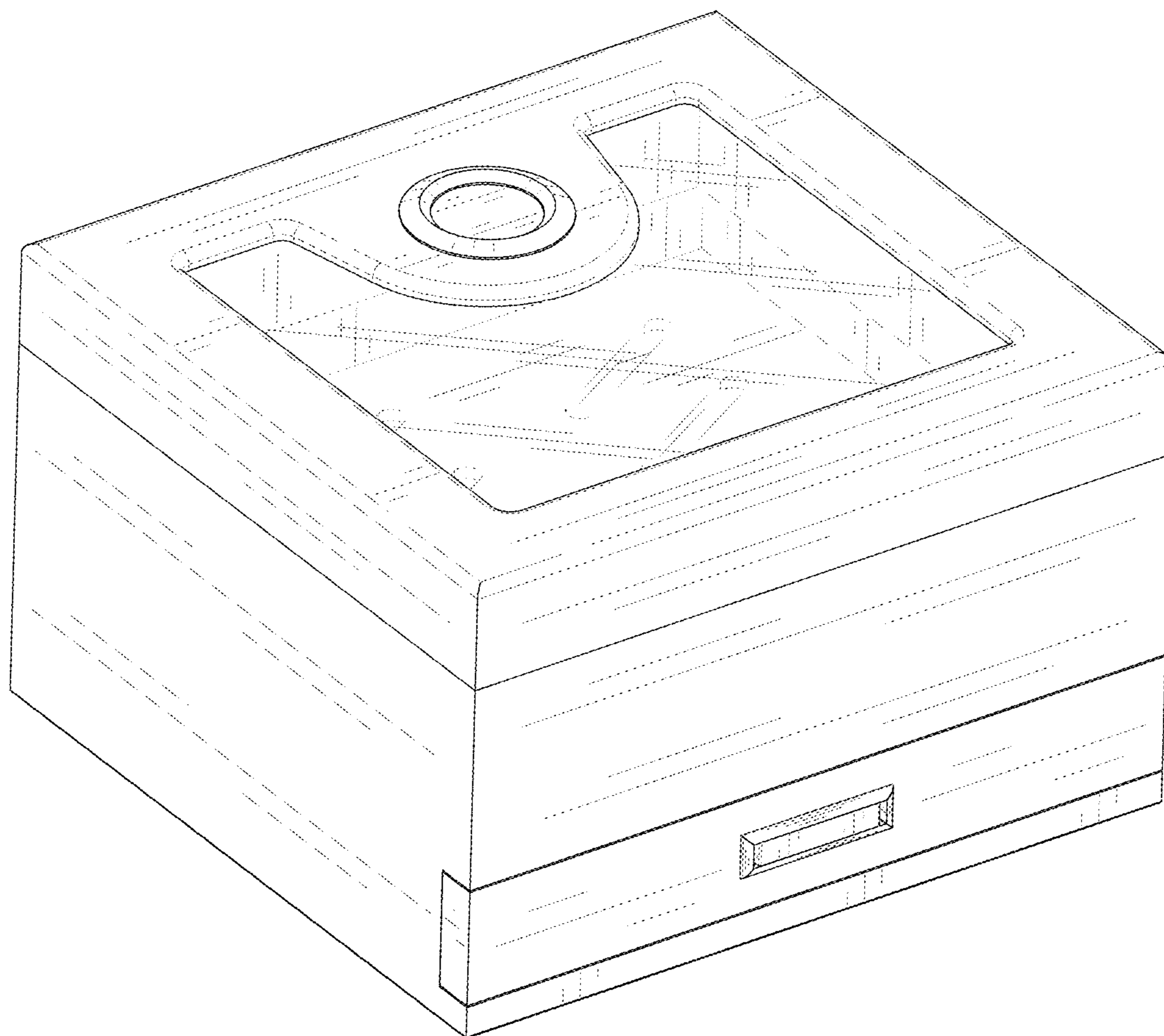


FIG. 7

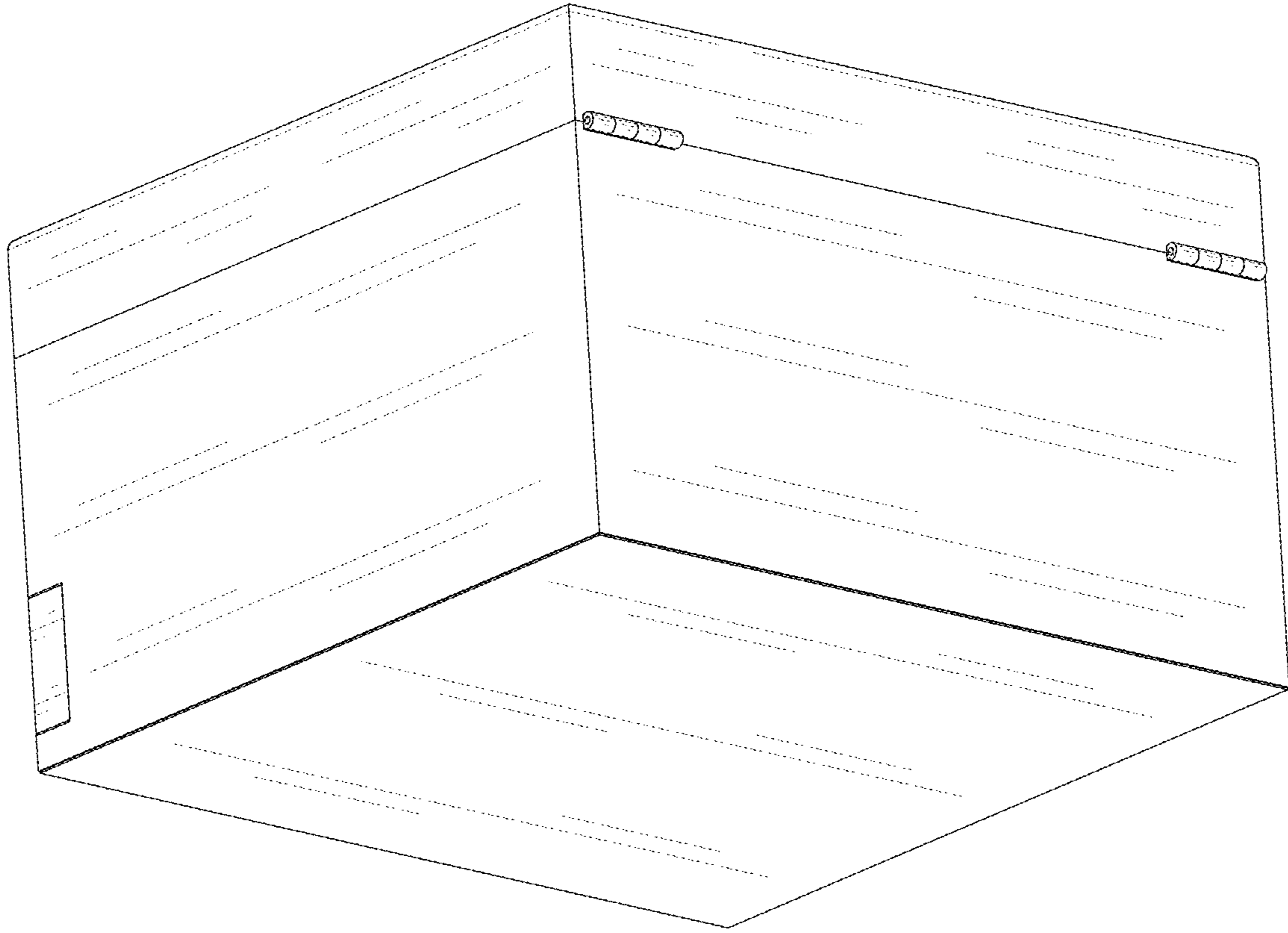


FIG. 8

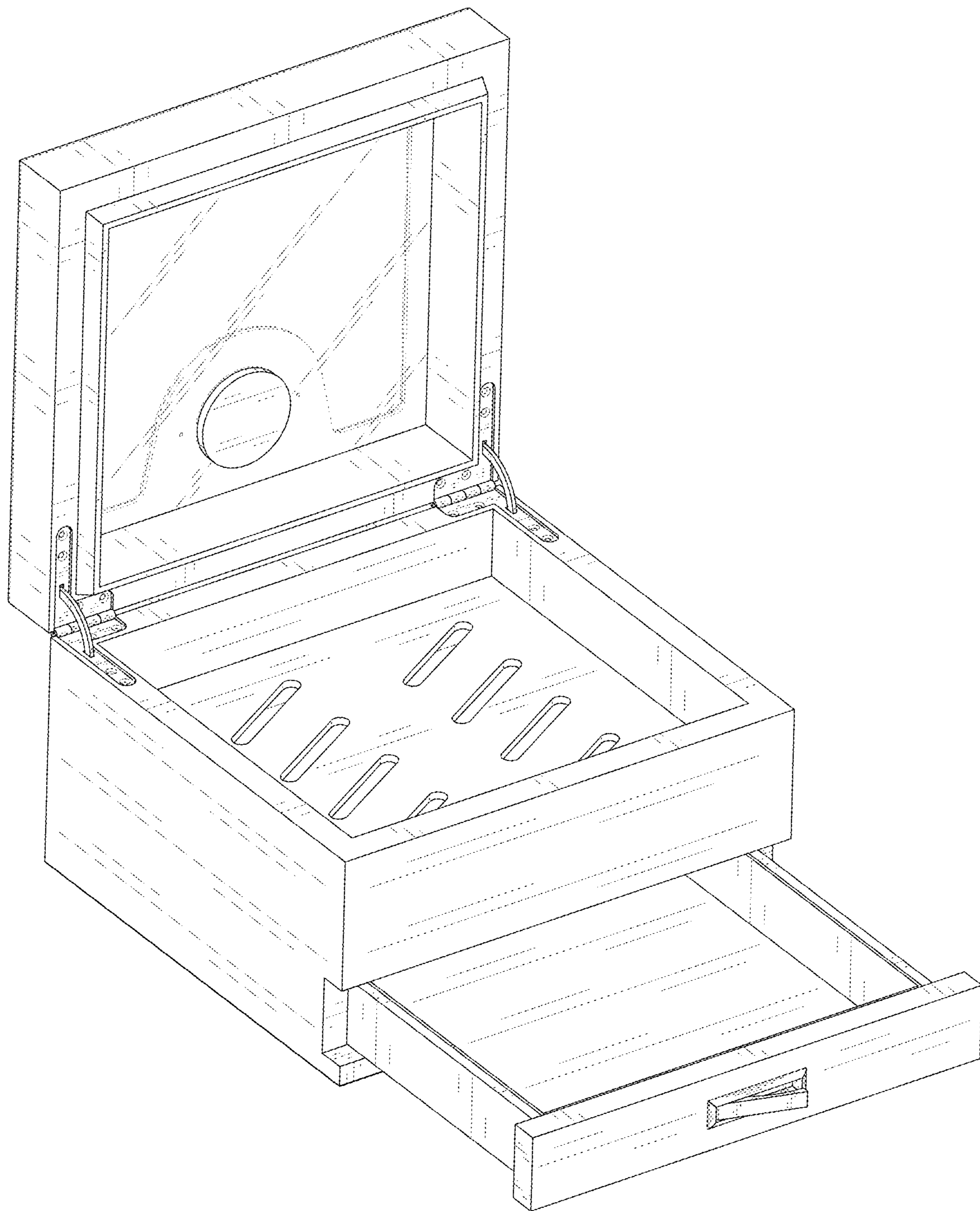


FIG. 9