



US00D974651S

(12) **United States Design Patent** (10) **Patent No.:** **US D974,651 S**
Ou (45) **Date of Patent:** **** Jan. 3, 2023**

(54) **DISPOSABLE VIAL WITH INDENT**
(71) Applicant: **R.Y.L. Inc.**, Commerce, CA (US)
(72) Inventor: **Suk Hwan Ou**, Commerce, CA (US)
(73) Assignee: **R.Y.L. INC.**, Commerce, CA (US)
(**) Term: **15 Years**
(21) Appl. No.: **29/824,168**
(22) Filed: **Jan. 21, 2022**

D732,687 S *	6/2015	Johnson	D24/231
D777,341 S *	1/2017	Oguro	D24/224
D790,726 S *	6/2017	Plante	D24/224
D827,152 S *	8/2018	Ou	D24/224
D862,795 S *	10/2019	Caldas	D27/194
D888,271 S *	6/2020	Pirod	D24/224
D889,684 S ‡	7/2020	Johnson	D24/225
D897,840 S *	10/2020	Ou	D9/434
D902,724 S ‡	11/2020	Shiota	D9/504
D912,889 S ‡	3/2021	Liu	D27/162
D930,851 S *	9/2021	Ou	D24/224
D938,643 S *	12/2021	Dodson	D27/162
D940,384 S *	1/2022	Dodson	D27/162
D943,820 S *	2/2022	Ou	D27/163
D945,060 S *	3/2022	Ou	D27/162
D945,061 S *	3/2022	Ou	D27/167
2001/0051561 A1 *	12/2001	Boorstein	A63B 23/14 482/44

Related U.S. Application Data

(62) Division of application No. 29/732,688, filed on Apr. 27, 2020, now Pat. No. Des. 945,061.
(51) **LOC (14) Cl.** **27-02**
(52) **U.S. Cl.**
USPC **D27/167**
(58) **Field of Classification Search**
USPC D27/162, 100, 101, 163–164, 194;
D24/216–232, 110, 110.5; D11/152, 143,
D11/148; D9/503, 504, 516, 517, 520,
D9/521, 529, 547, 549
CPC A24F 1/30; A24F 47/002; A24F 47/004;
A24F 47/008
See application file for complete search history.

* cited by examiner
‡ imported from a related application

Primary Examiner — Rebecca Tsehaye
(74) *Attorney, Agent, or Firm* — Womble Bond Dickinson (US) LLP

(57) **CLAIM**

The ornamental design for disposable vial with indent, as shown and described.

DESCRIPTION

FIG. 1 is a front/top perspective view of my disposable vial with indent;
FIG. 2 is a front elevation, the rear elevation is a mirror image thereof;
FIG. 3 is a right side elevation, the left side elevation is a mirror image thereof;
FIG. 4 is a top plan view thereof; and,
FIG. 5 is a bottom plan view thereof.
The oblique lines in the drawings indicate transparency.

(56) **References Cited**

U.S. PATENT DOCUMENTS

D324,423 S *	3/1992	Ahstrand	D24/114
D413,002 S *	8/1999	Melograno	D27/169
D418,607 S *	1/2000	Asselta	D24/224
D427,691 S *	7/2000	Asselta	D24/224
D629,916 S *	12/2010	Lodge	D24/224
8,534,296 B2 *	9/2013	Groff	A24F 1/30 131/201

1 Claim, 3 Drawing Sheets

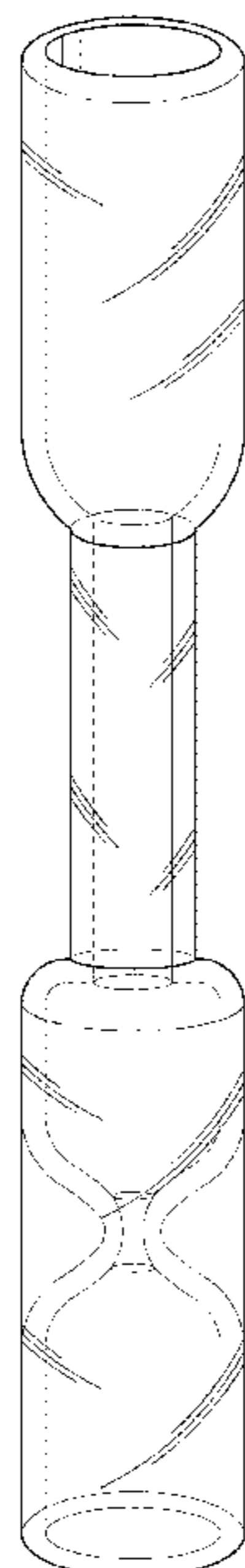
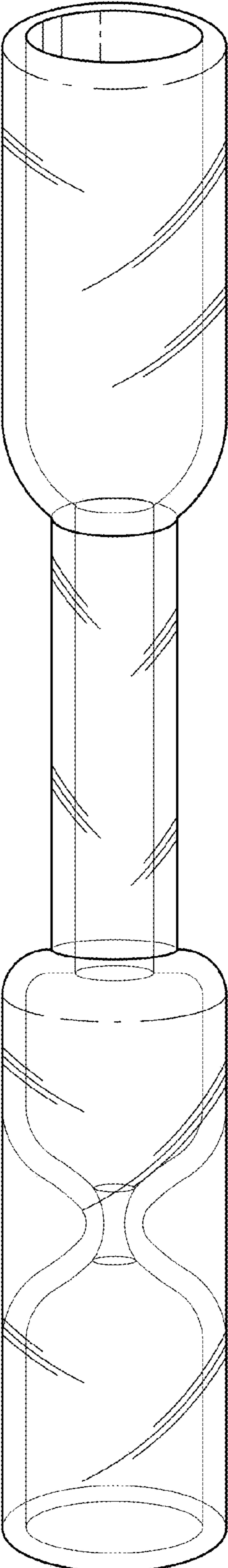


FIG. 1



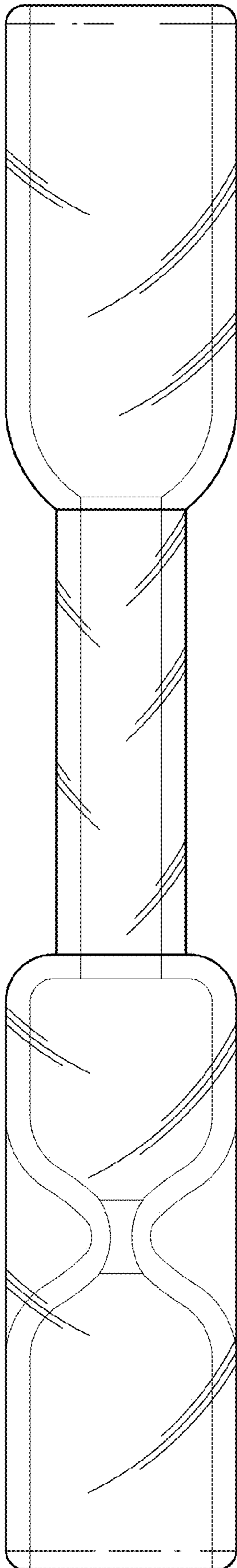


FIG. 2

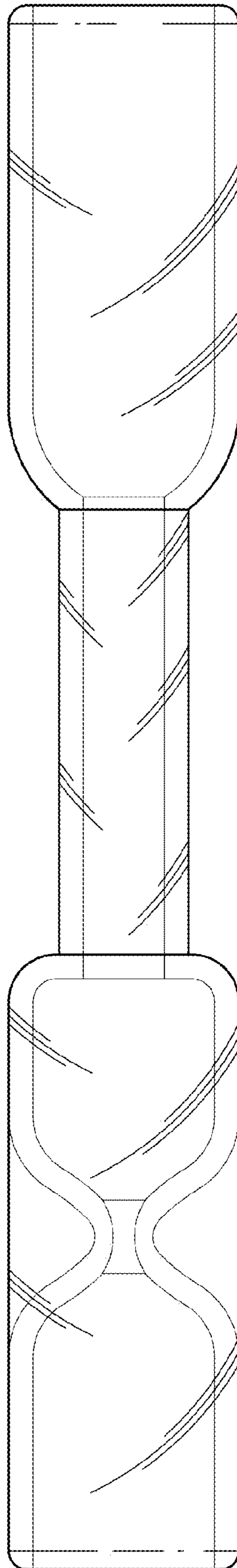


FIG. 3

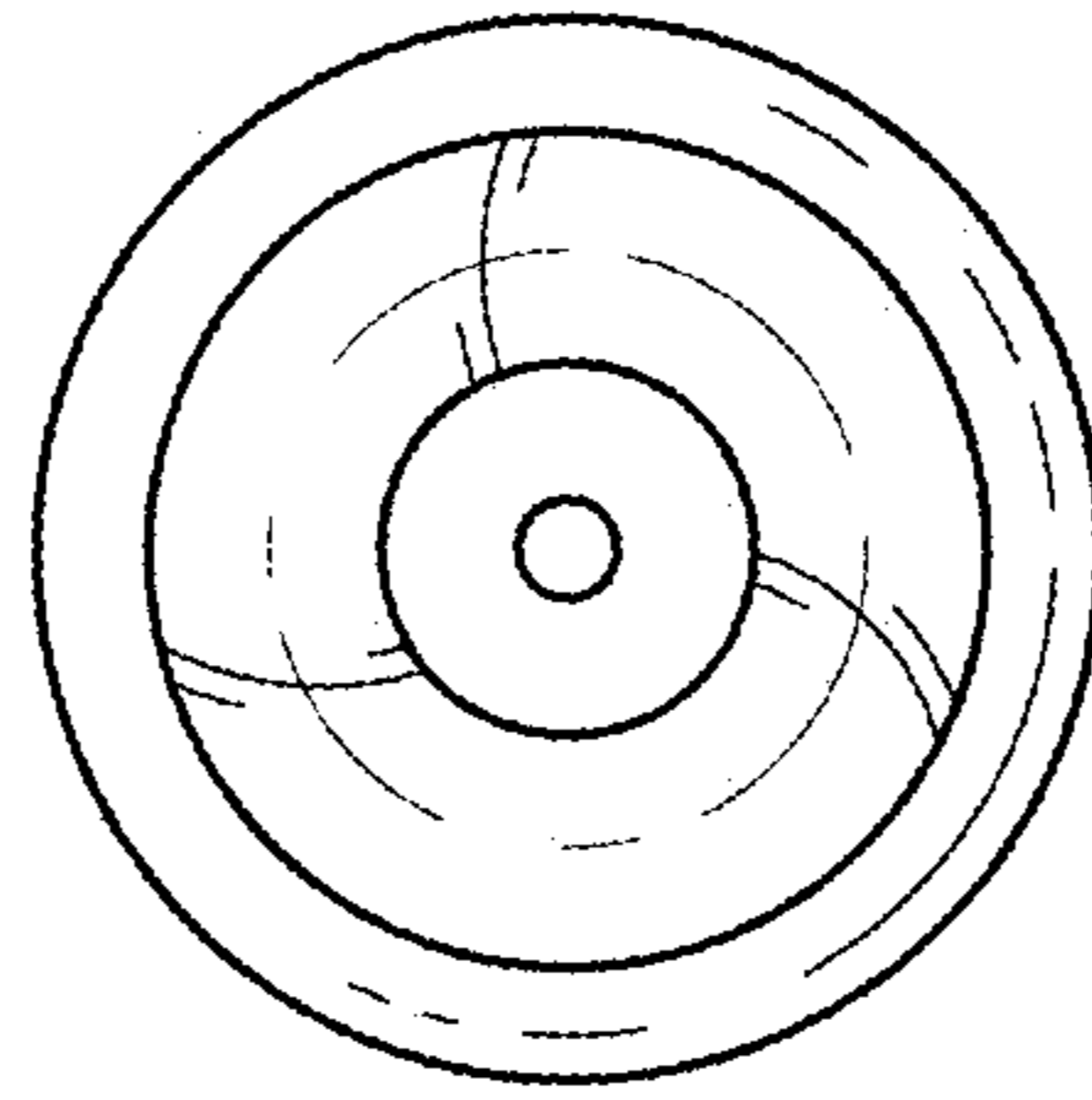


FIG. 4

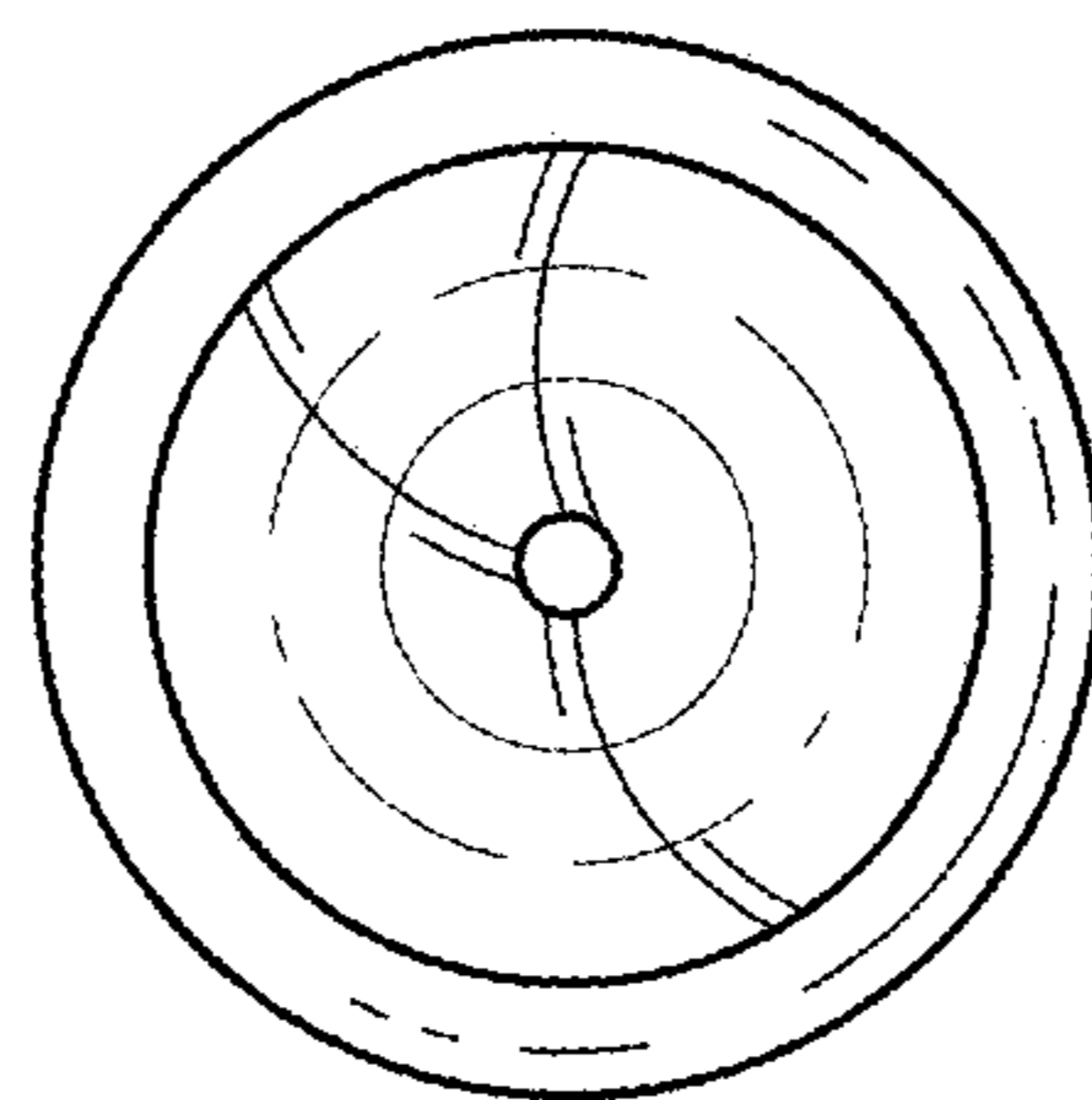


FIG. 5