



US00D974650S

(12) **United States Design Patent** (10) **Patent No.:** **US D974,650 S**
Ding (45) **Date of Patent:** **** Jan. 3, 2023**

(54) **ELECTRONIC ATOMIZER**
(71) Applicant: **Shenzhen Smoore Technology Limited**, Shenzhen (CN)

D900,386 S * 10/2020 Wang D27/162
D902,473 S * 11/2020 Li D27/101
D907,844 S * 1/2021 Pan D27/162

(Continued)

(72) Inventor: **Fujian Ding**, Shenzhen (CN)
(73) Assignee: **SHENZHEN SMOORE TECHNOLOGY LIMITED**, Shenzhen (CN)

OTHER PUBLICATIONS

Pod Cartridge by: Geekvape found on line (Oct. 8, 2020) https://www.aliexpress.us/item/3256804145460371.html?gatewayAdapt=glo2usa4itemAdapt&_randl_shipto=US (Jun. 8, 2022).*

(**) Term: **15 Years**
(21) Appl. No.: **29/777,208**
(22) Filed: **Apr. 5, 2021**

Primary Examiner — Rebecca Tsehaye

(57) **CLAIM**

The ornamental design for an electronic atomizer, as shown and described.

(30) **Foreign Application Priority Data**

DESCRIPTION

Oct. 21, 2020 (CN) 202030628680.8
(51) **LOC (14) Cl.** **27-02**
(52) **U.S. Cl.**
USPC **D27/167**
(58) **Field of Classification Search**
USPC D27/162, 100, 101, 163–170, 172,
D27/174–176, 183, 185–194; D24/110,
D24/110.5; D13/103, 107; D23/360,
D23/363, 366
CPC A24F 40/40; A24F 40/42; A24F 40/44;
A24F 40/00; A24F 40/10; A24F 40/20;
A24F 15/015; A24F 15/00; A24F 15/02;
A24F 15/12; A61M 15/00; A61M 15/06
See application file for complete search history.

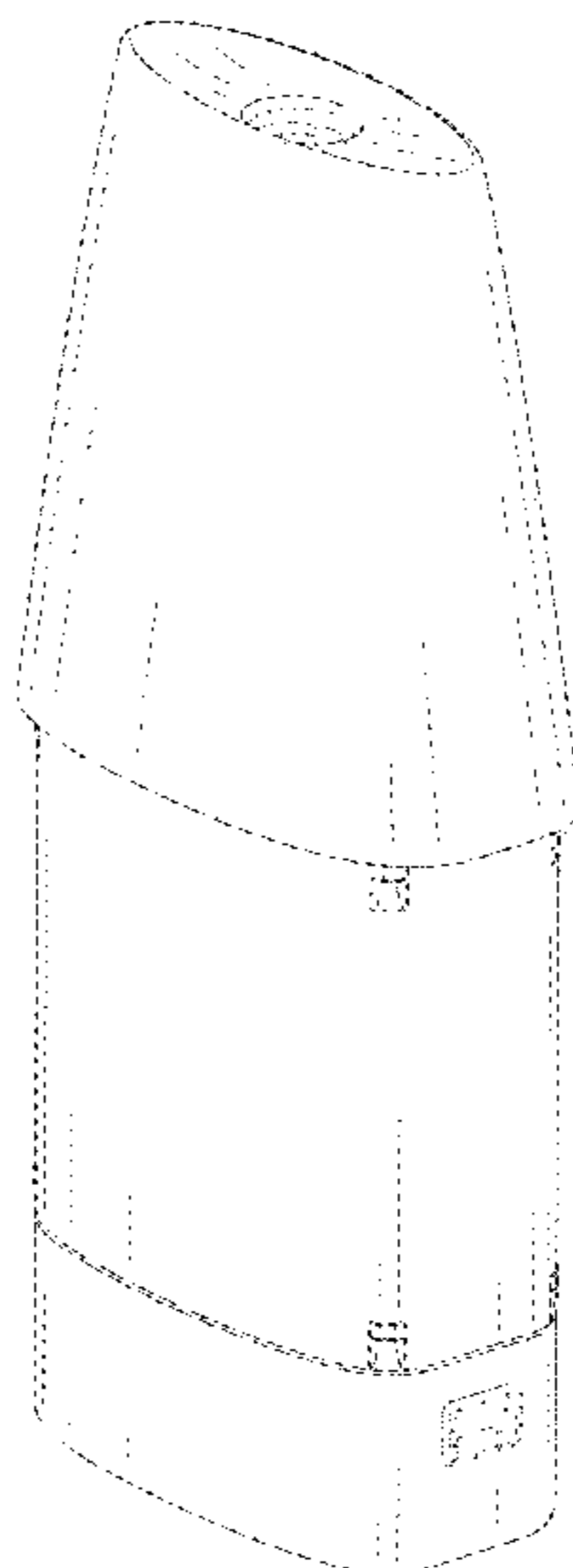
FIG. 1 is a perspective view of an electronic atomizer according to a first embodiment of my design; FIG. 2 is another perspective view thereof; FIG. 3 is a front elevational view thereof; FIG. 4 is a rear elevational view thereof; FIG. 5 is a left side elevational view thereof; FIG. 6 is a right side elevational view thereof; FIG. 7 is an enlarged top plan view thereof; FIG. 8 is an enlarged bottom plan view thereof; FIG. 9 is a perspective view of an electronic atomizer according to a second embodiment of my design; FIG. 10 is another perspective view thereof; FIG. 11 is a front elevational view thereof; FIG. 12 is a rear elevational view thereof; FIG. 13 is a left side elevational view thereof; FIG. 14 is a right side elevational view thereof; FIG. 15 is an enlarged top plan view thereof; and, FIG. 16 is an enlarged bottom plan view thereof. The broken lines in the drawings depict portions of the electronic atomizer that form no part of the claimed design. Oblique lines on the surfaces of the electronic atomizer indicate that those surfaces are transparent.

(56) **References Cited**

U.S. PATENT DOCUMENTS

D866,064 S * 11/2019 Powell D27/170
D875,303 S * 2/2020 Pan D27/162
D875,306 S * 2/2020 Pan D27/167
D881,460 S * 4/2020 Han D27/162
D889,736 S * 7/2020 Han D27/162
D895,199 S * 9/2020 Li D27/162

1 Claim, 16 Drawing Sheets



(56)

References Cited

U.S. PATENT DOCUMENTS

D908,279 S *	1/2021	Li	D27/162
D911,600 S *	2/2021	Chen	D27/162
D914,276 S *	3/2021	Lai	D27/162
D914,277 S *	3/2021	Han	D27/162
D927,059 S *	8/2021	Lai	D27/162
D928,394 S *	8/2021	Jones	D27/162
D928,395 S *	8/2021	Li	D27/162
D928,396 S *	8/2021	Li	D27/162
D937,477 S *	11/2021	Li	D27/162
D940,951 S *	1/2022	Ding	D27/162
D945,057 S *	3/2022	Powell	D27/162
D954,341 S *	6/2022	Steinbauer	D27/167
D965,857 S *	10/2022	Li	D27/162

* cited by examiner

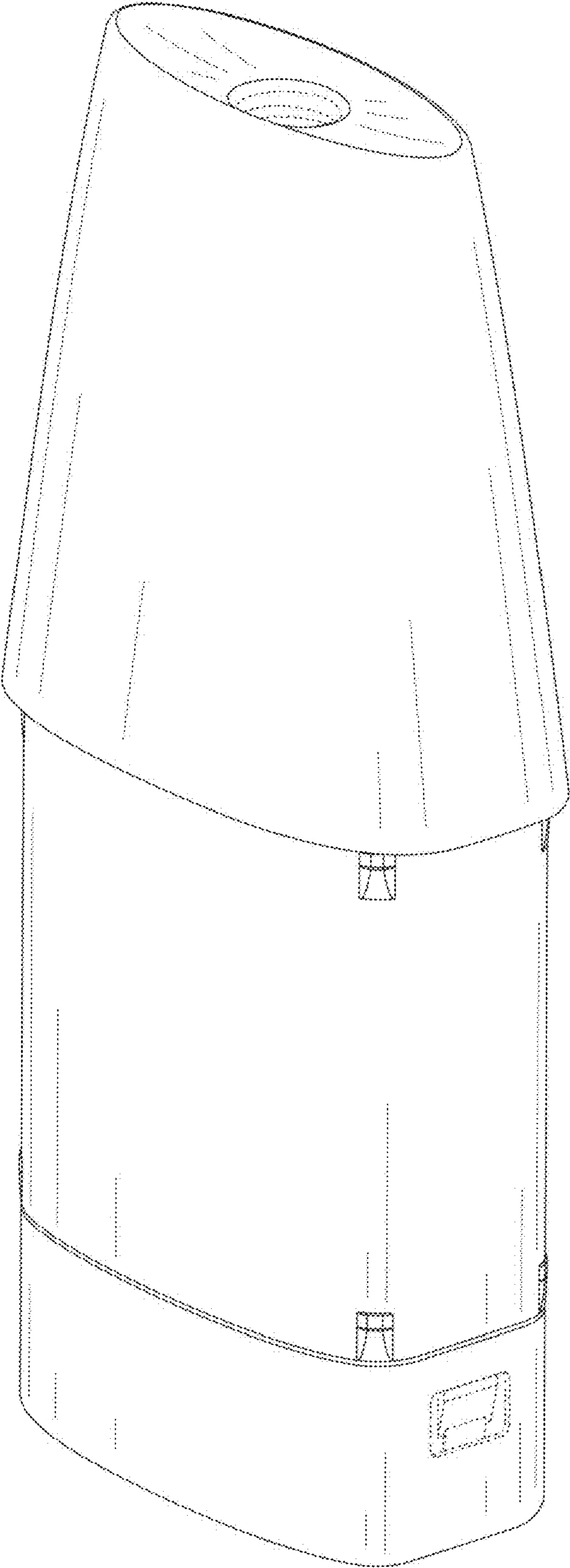


FIG. 1

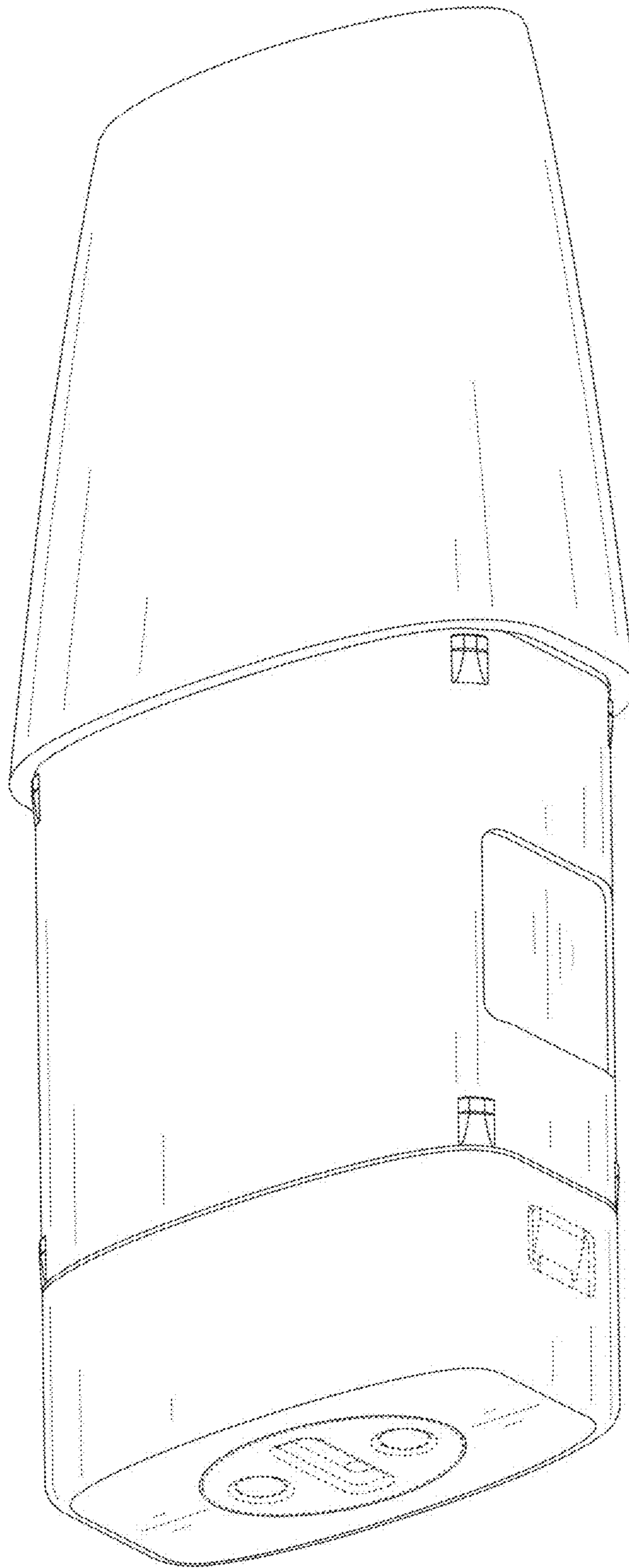


FIG. 2

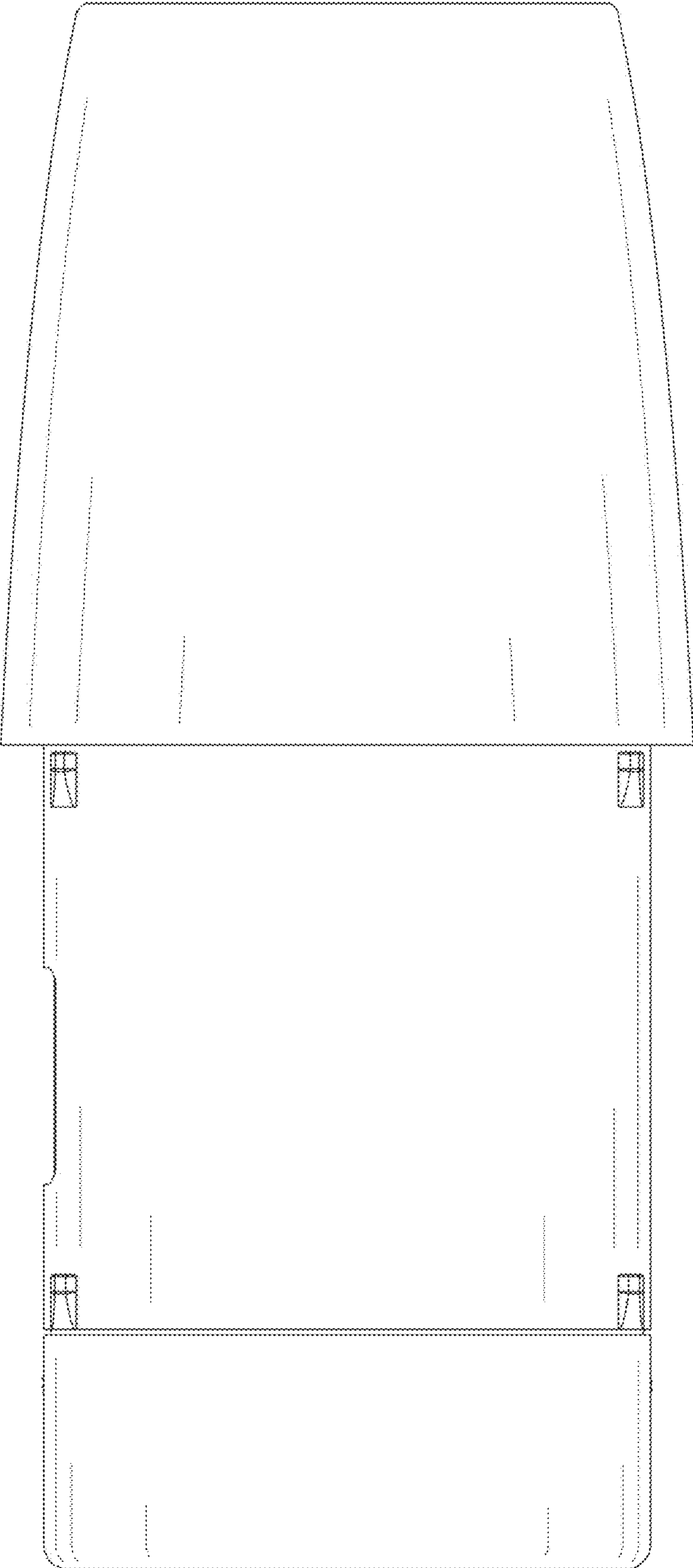


FIG. 3

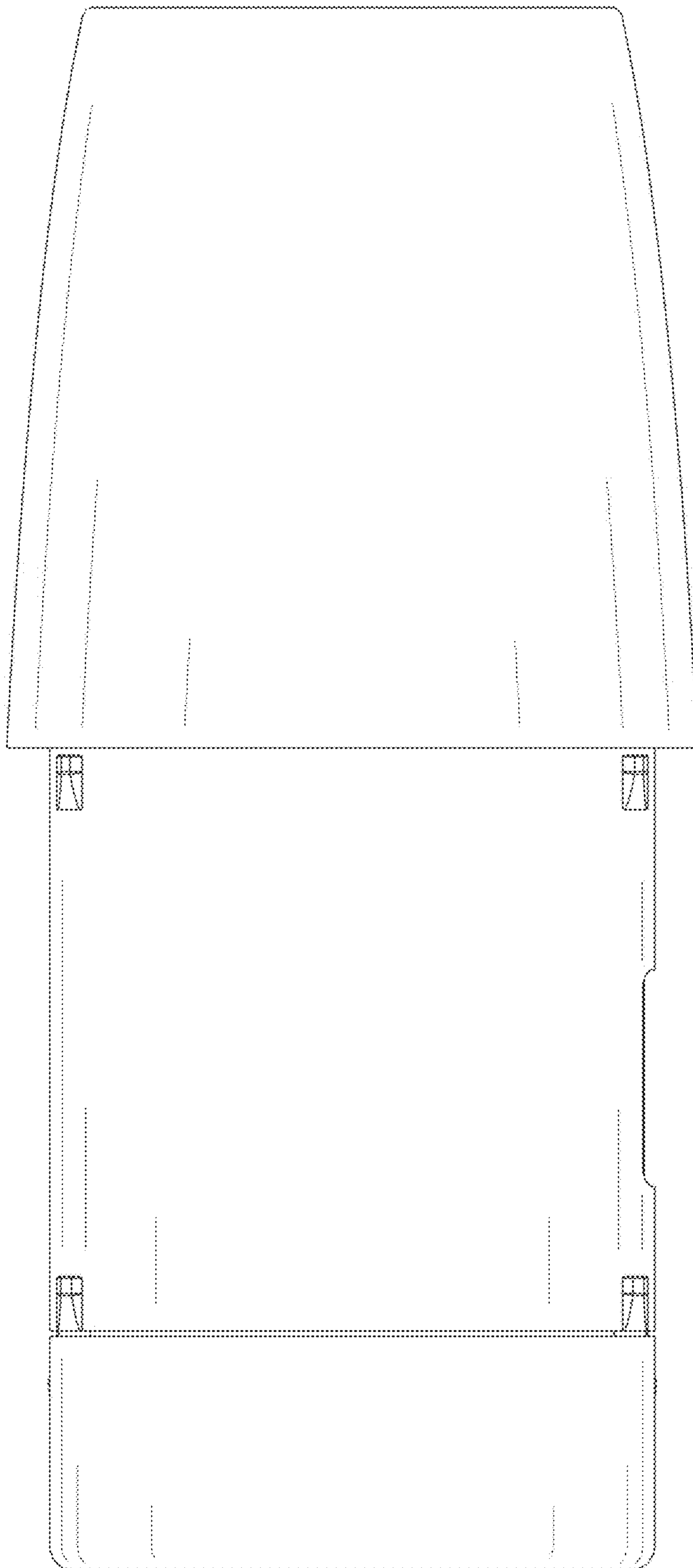


FIG. 4

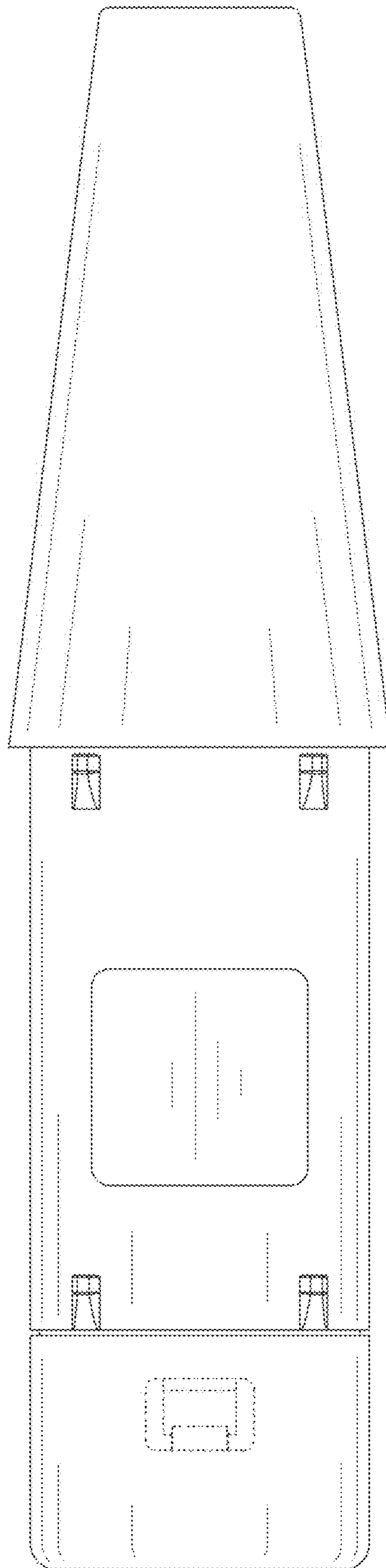


FIG. 5

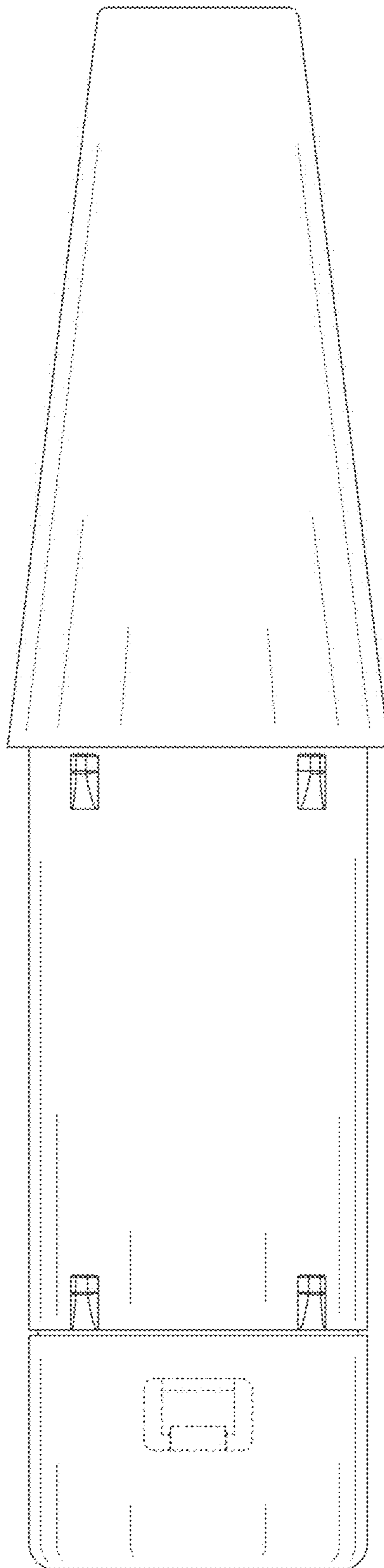


FIG. 6

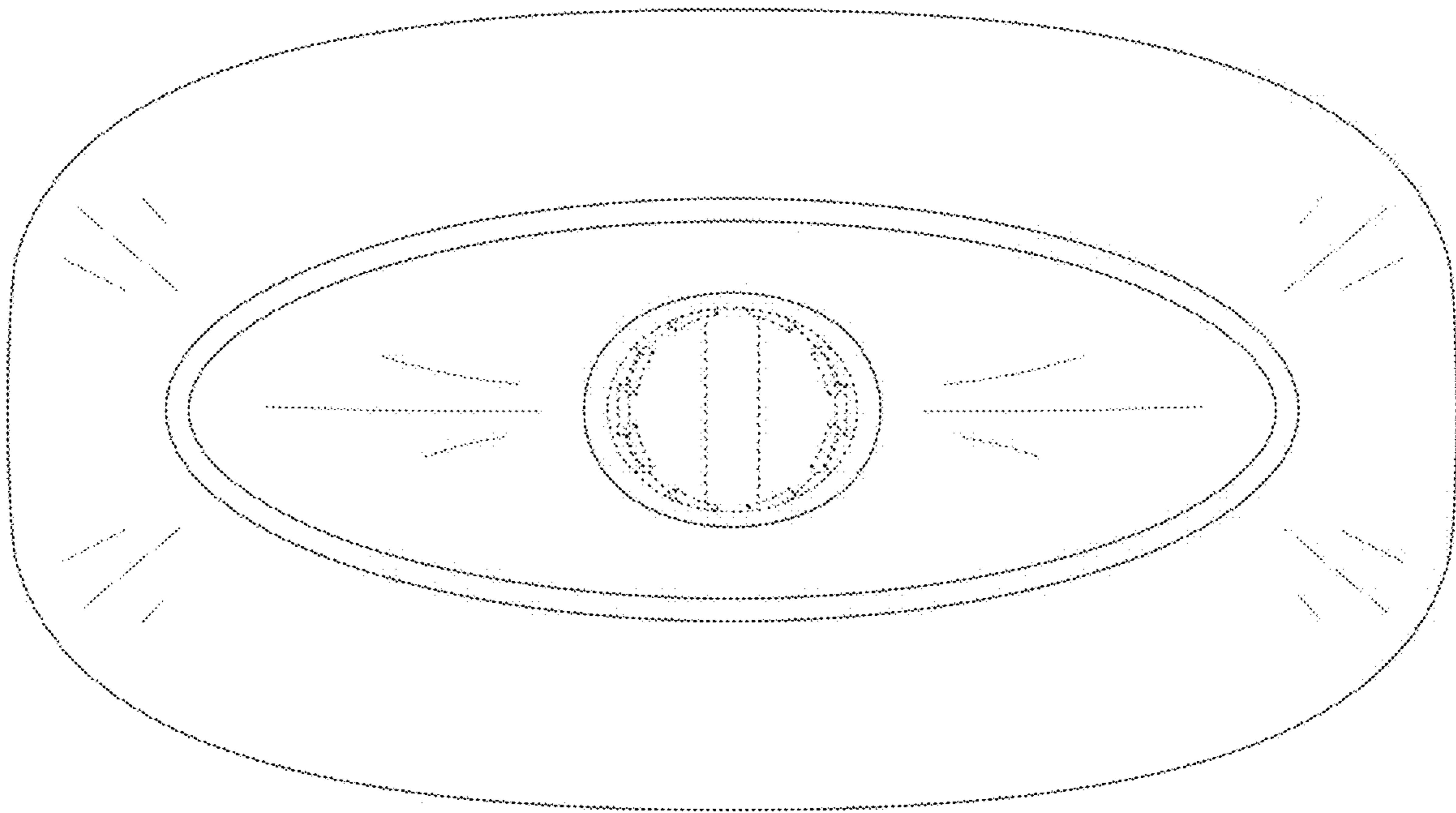


FIG. 7

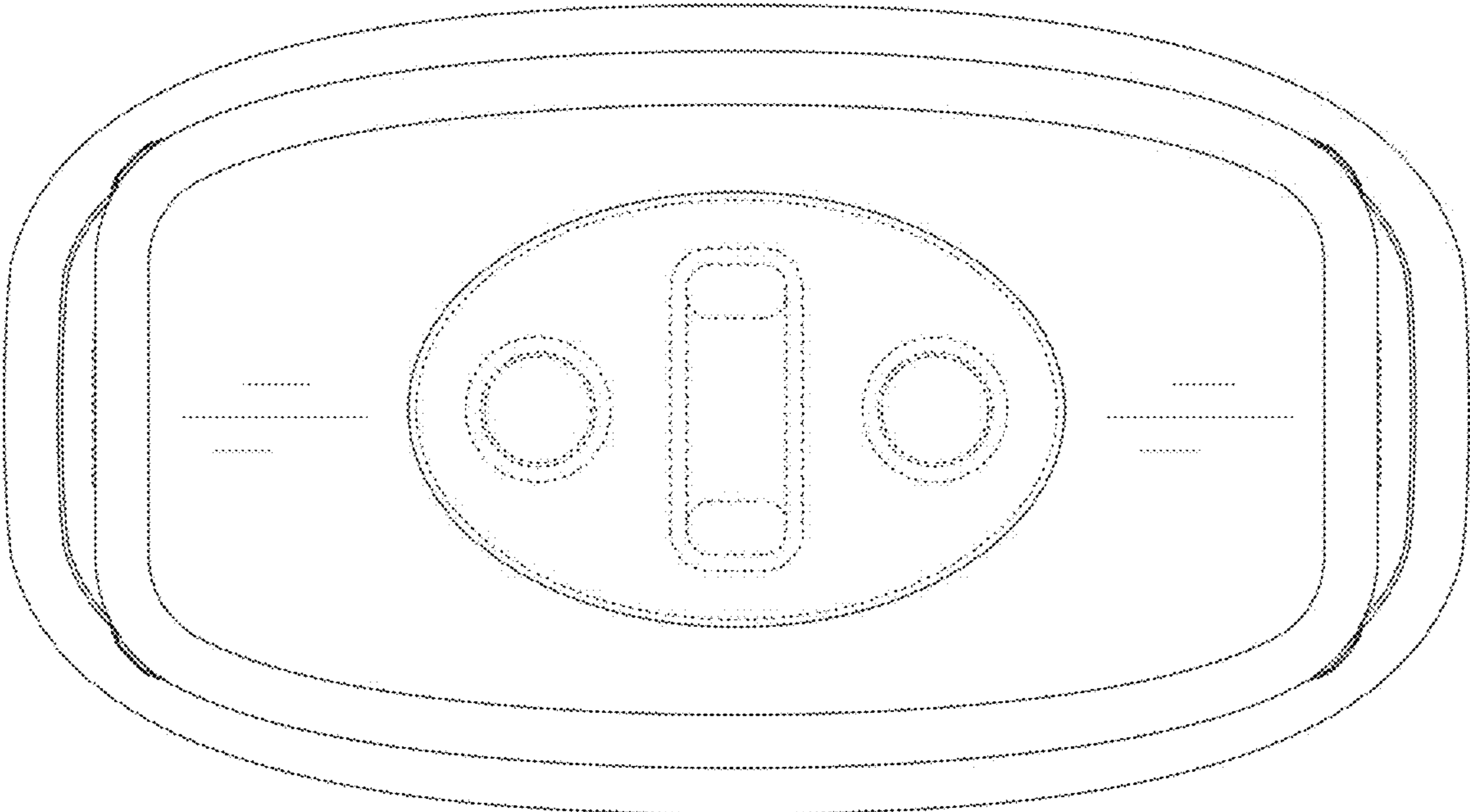


FIG. 8

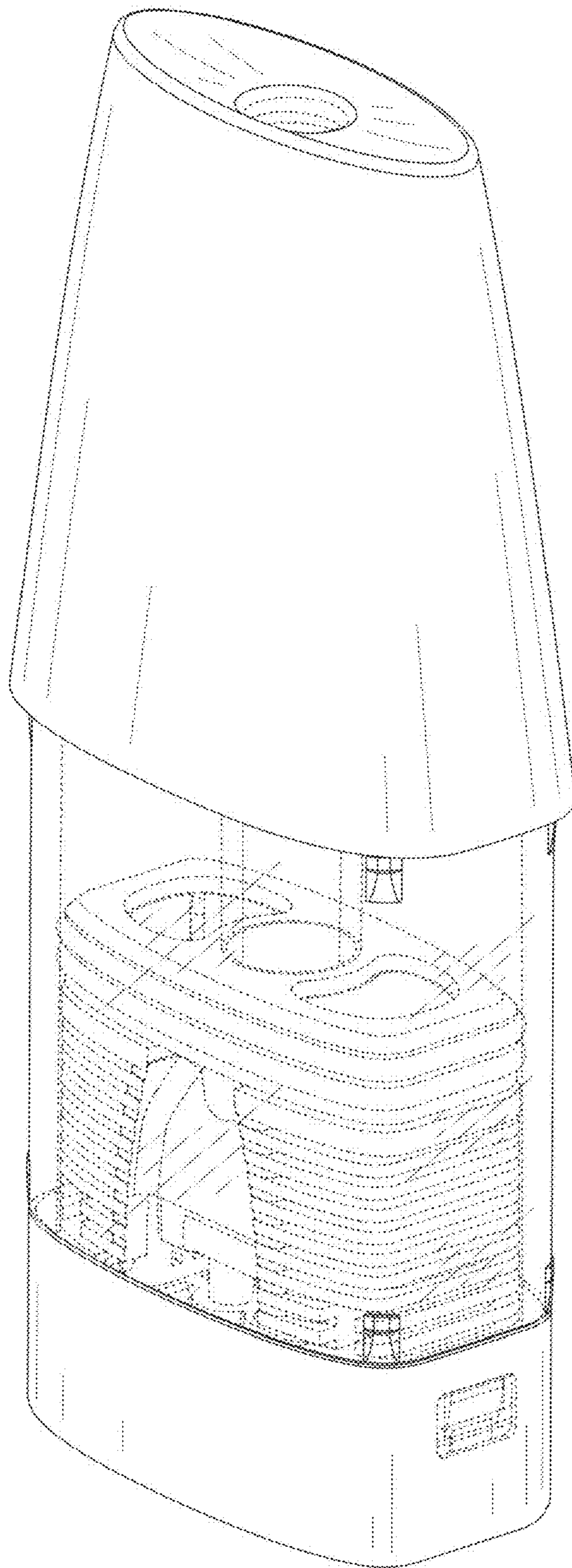


FIG. 9

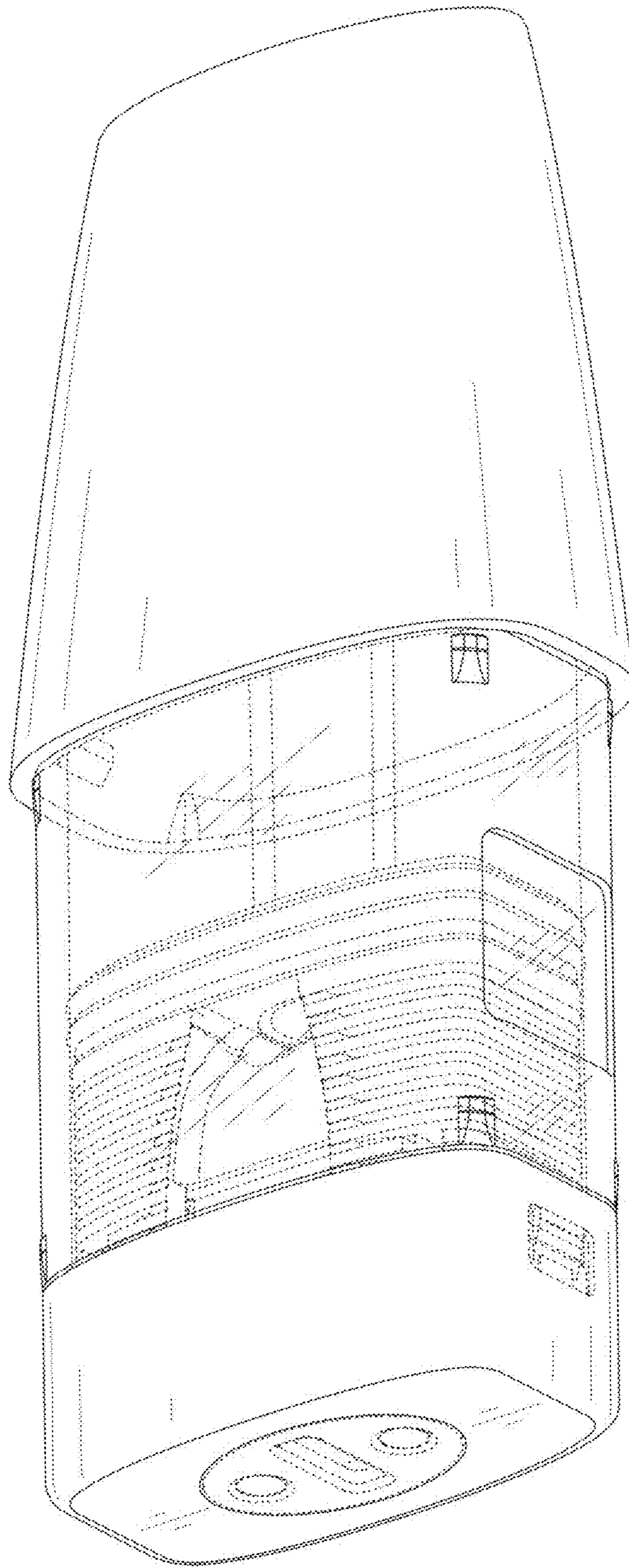


FIG. 10

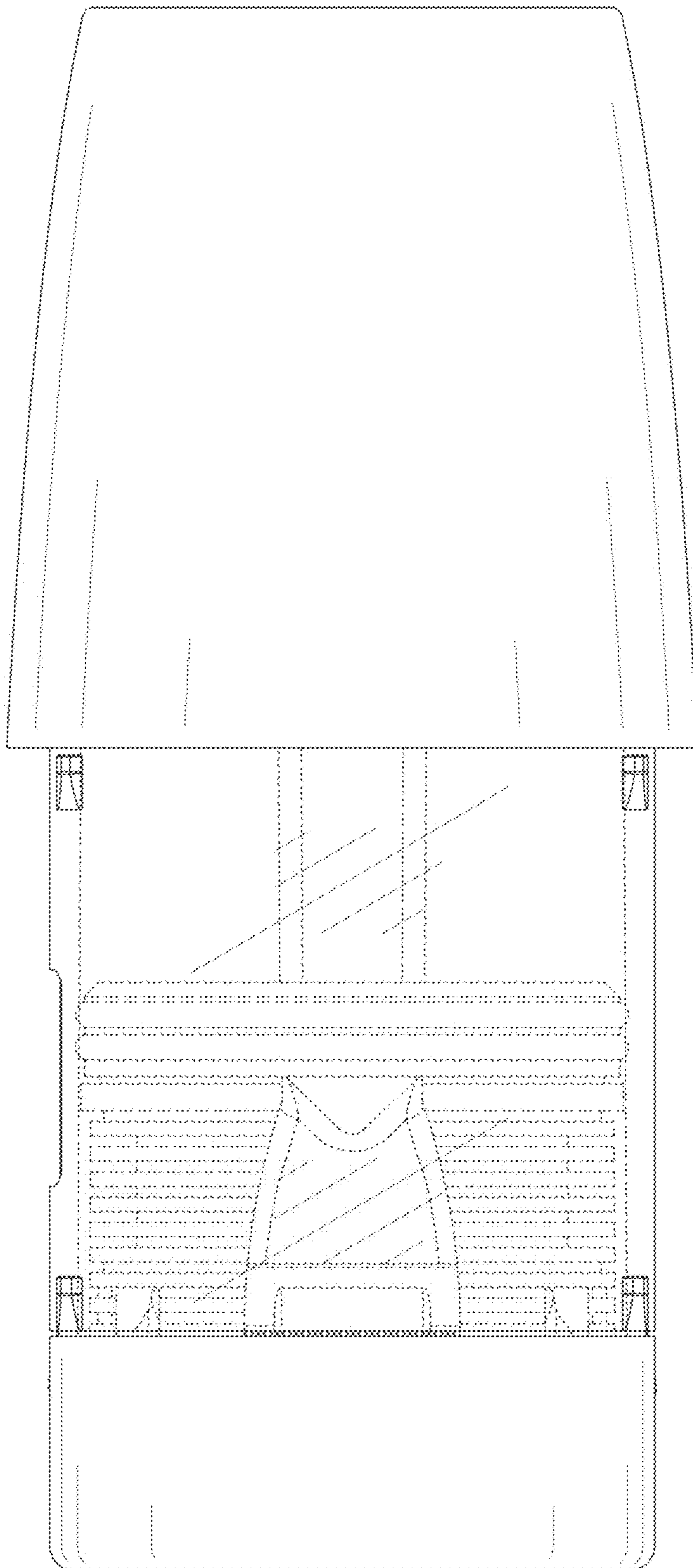


FIG. 11

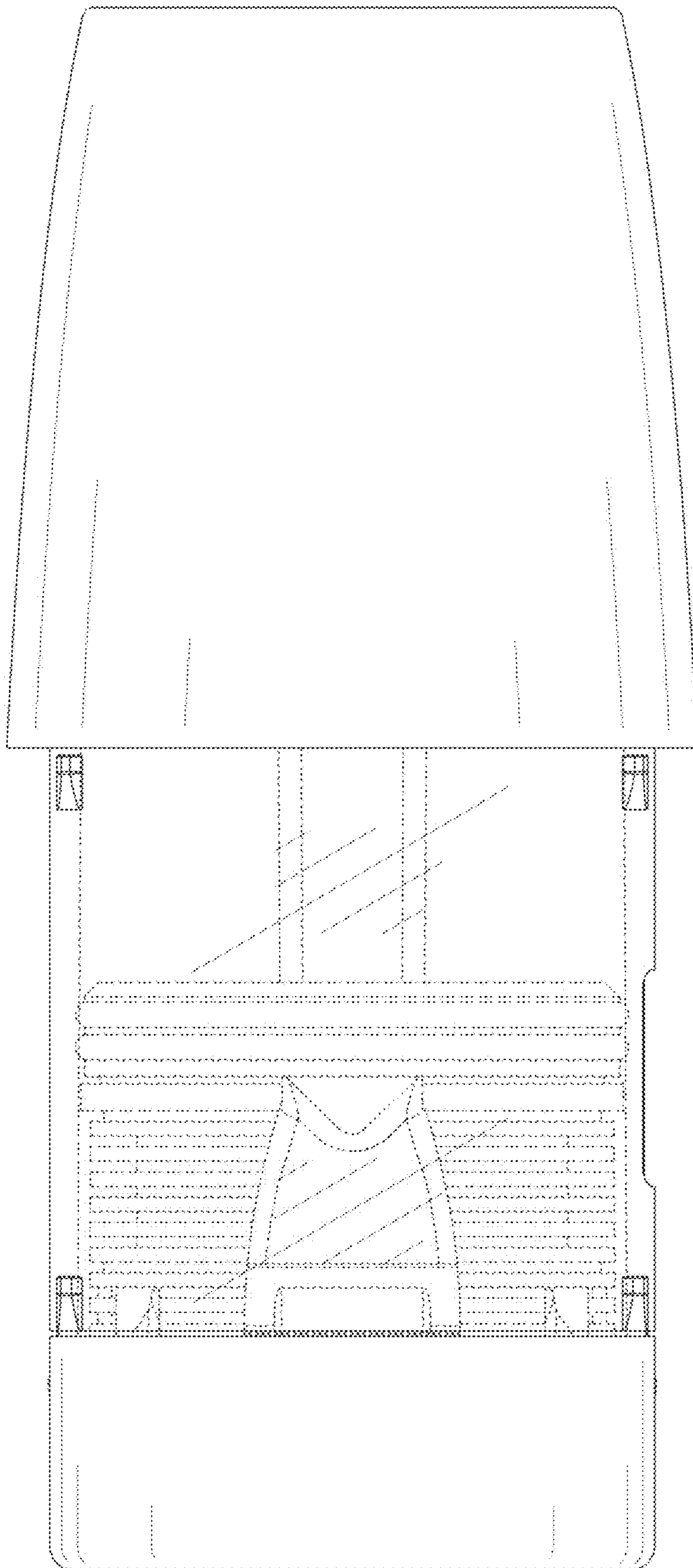


FIG. 12

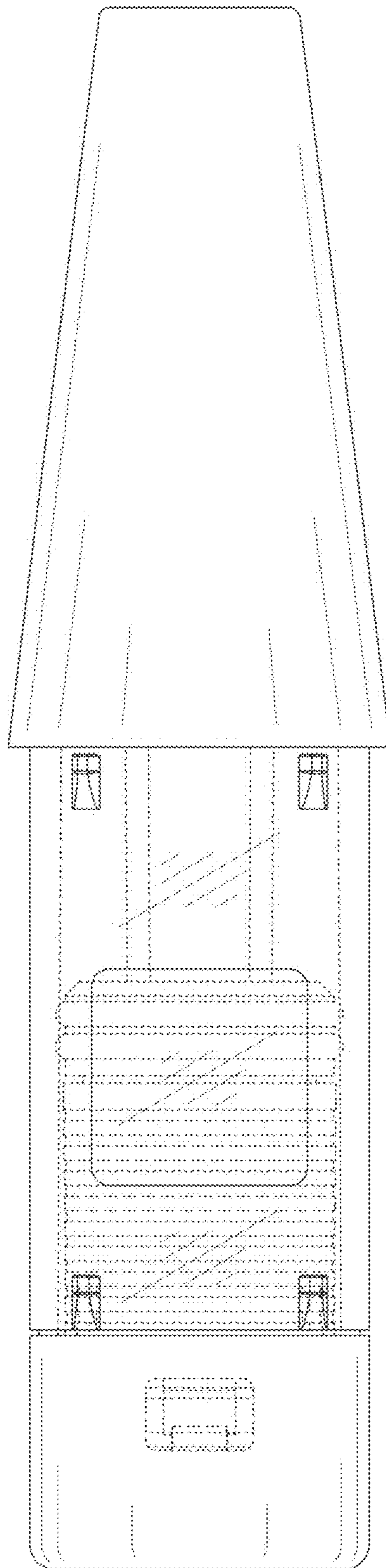


FIG. 13

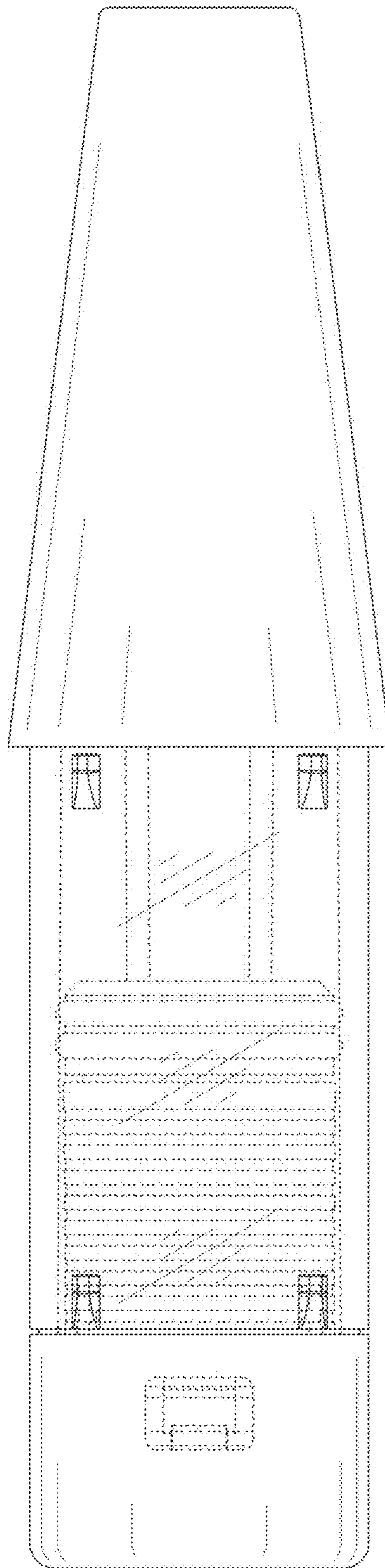


FIG. 14

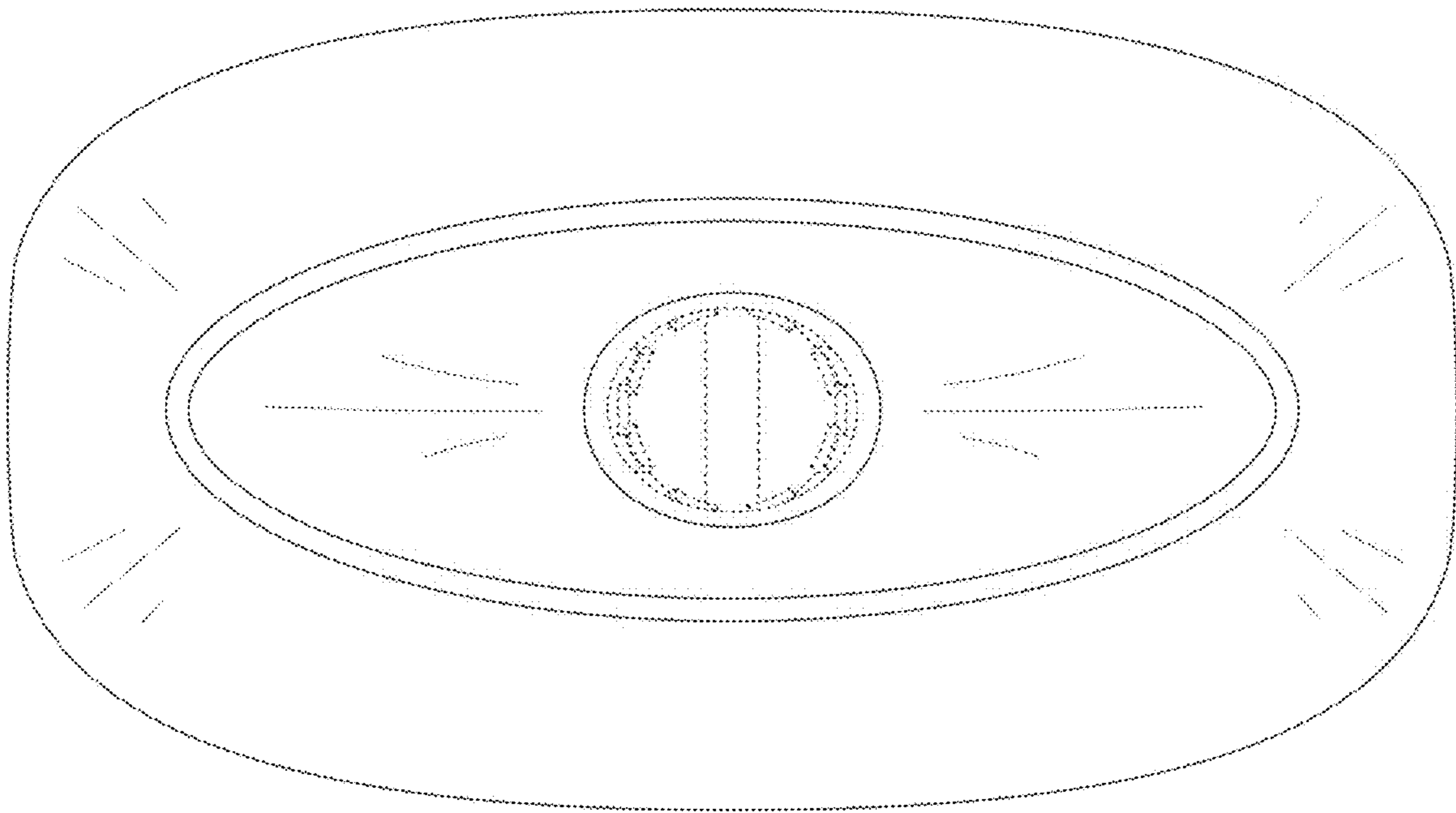


FIG. 15

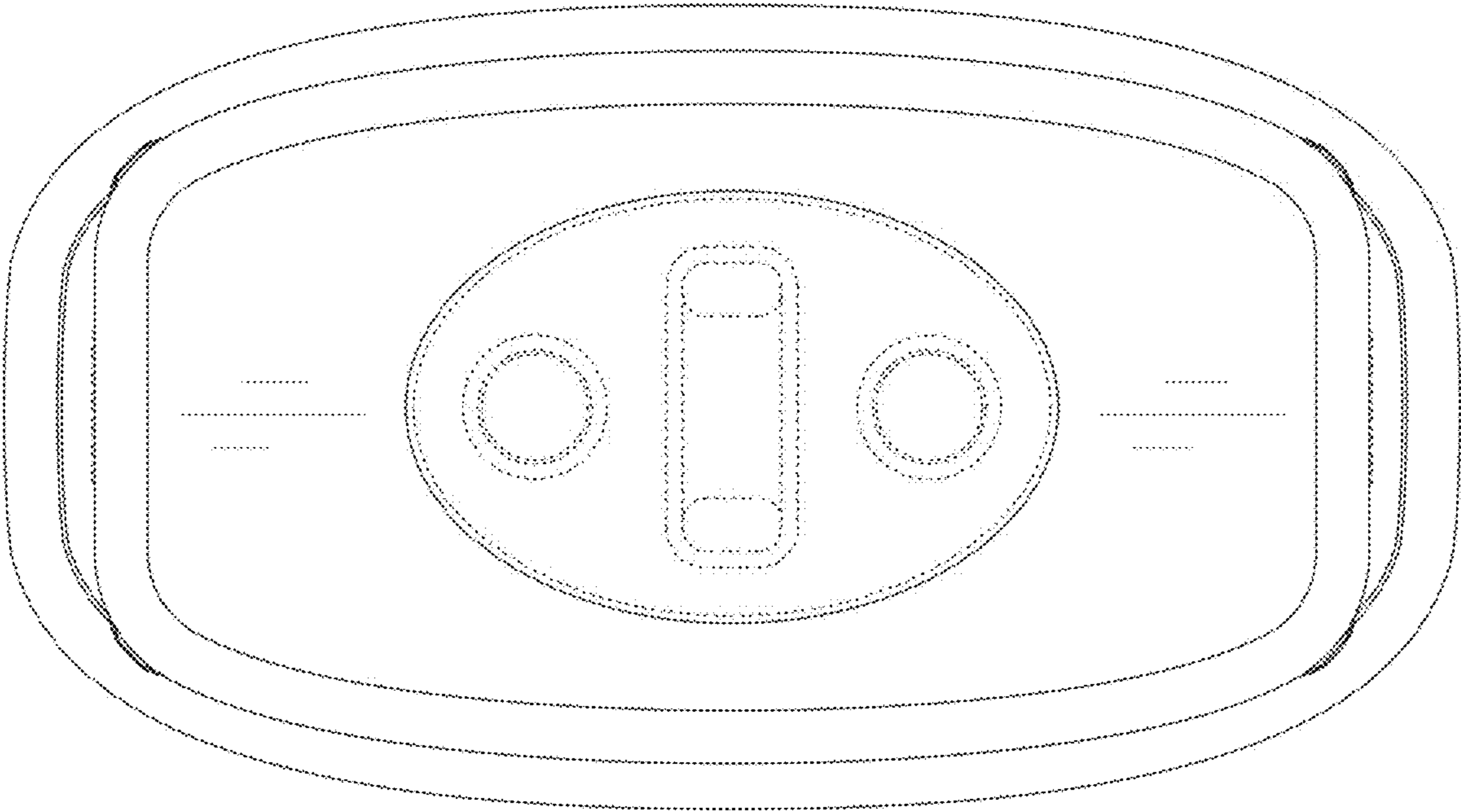


FIG. 16