



US00D974649S

(12) **United States Design Patent** (10) **Patent No.:** **US D974,649 S**  
**Lai** (45) **Date of Patent:** **\*\* Jan. 3, 2023**

(54) **ELECTRONIC ATOMIZER**  
(71) Applicant: **Shenzhen Smoore Technology Limited**, Shenzhen (CN)

D917,778 S \* 4/2021 Liu ..... D27/162  
D920,572 S \* 5/2021 Liu ..... D27/162  
D921,285 S \* 6/2021 Liu ..... D27/162  
D923,867 S \* 6/2021 Liu ..... D27/167

(Continued)

(72) Inventor: **Baosheng Lai**, Shenzhen (CN)

**OTHER PUBLICATIONS**

(73) Assignee: **SHENZHEN SMOORE TECHNOLOGY LIMITED**, Shenzhen (CN)

OFRF NexMESH Subohm Tank By: ECIG found on line (Apr. 20, 2022) <https://www.e-cig.gr/en/e-cigarettes/atomizers-coils/non-repairable/ofrf-nexmesh-subohm-tank-2ml-5ml> (Sep. 30, 2019).\*

(\*\*) Term: **15 Years**

*Primary Examiner* — Rebecca Tsehaye

(21) Appl. No.: **29/775,090**

(57) **CLAIM**

(22) Filed: **Mar. 22, 2021**

The ornamental design for an electronic atomizer, as shown and described.

(30) **Foreign Application Priority Data**

**DESCRIPTION**

Oct. 14, 2020 (CN) ..... 202030610432.0

(51) **LOC (14) Cl.** ..... **27-02**

(52) **U.S. Cl.**  
USPC ..... **D27/162**

(58) **Field of Classification Search**  
USPC ..... D27/162, 100, 101, 163–165, 172, D27/174–176, 183, 185–194; D24/110, D24/110.5  
CPC .... A24F 47/002; A24F 47/006; A24F 47/008; A61M 15/00; A61M 15/06  
See application file for complete search history.

FIG. 1 is a perspective view of an electronic atomizer according to a first embodiment of my design; FIG. 2 is another perspective view thereof; FIG. 3 is a front elevational view thereof; FIG. 4 is a rear elevational view thereof; FIG. 5 is a left side elevational view thereof; FIG. 6 is a right side elevational view thereof; FIG. 7 is a top plan view thereof; FIG. 8 is a bottom plan view thereof; FIG. 9 is a perspective view of an electronic atomizer according to a second embodiment of my design; FIG. 10 is another perspective view thereof; FIG. 11 is a front elevational view thereof; FIG. 12 is a rear elevational view thereof; FIG. 13 is a left side elevational view thereof; FIG. 14 is a right side elevational view thereof; FIG. 15 is a top plan view thereof; and, FIG. 16 is a bottom plan view thereof.

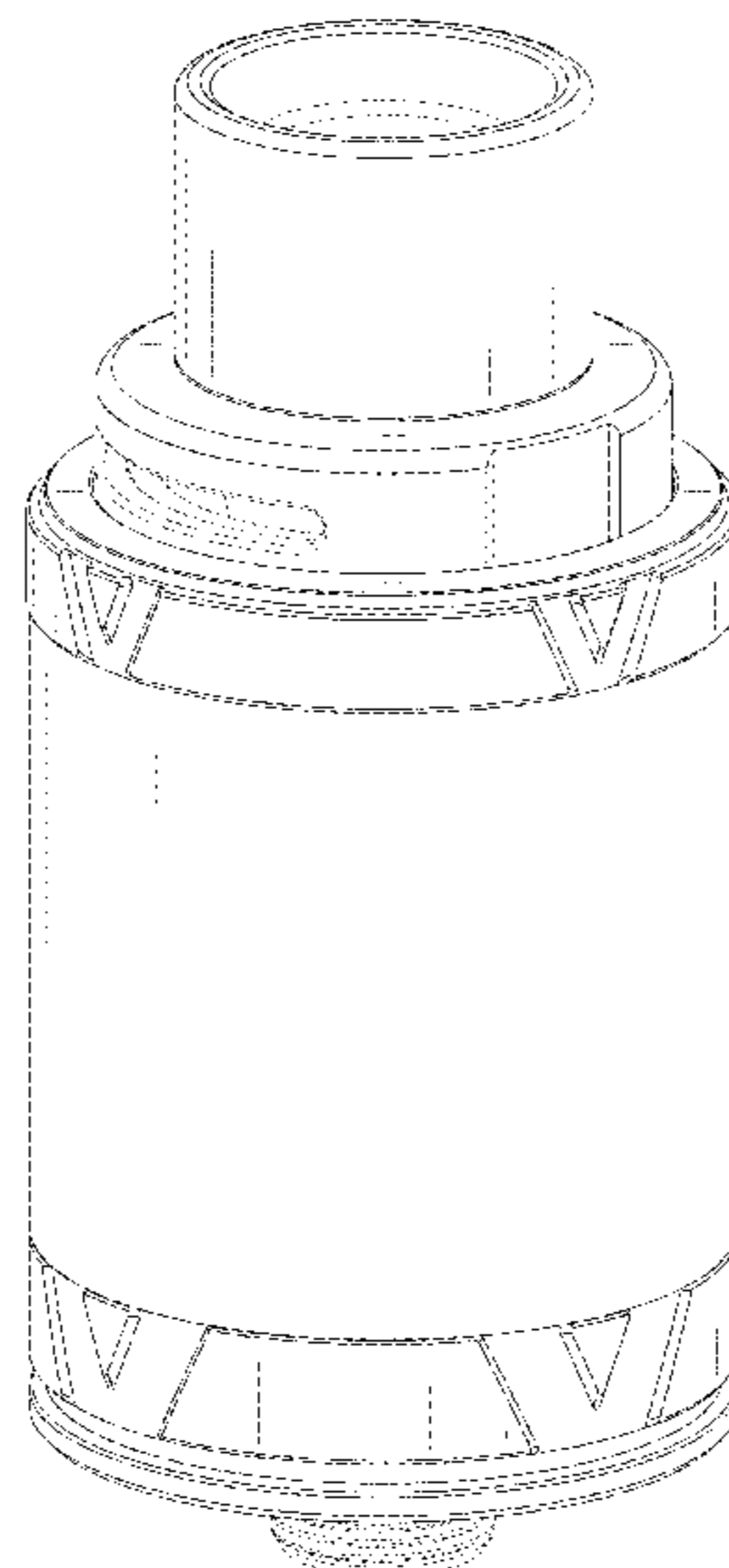
The broken lines in the drawings depict portions of the electronic atomizer that form no part of the claimed design. The oblique shade lines in the figures show transparency.

(56) **References Cited**

**U.S. PATENT DOCUMENTS**

D740,488 S \* 10/2015 Leidel ..... D27/167  
D771,307 S \* 11/2016 Wu ..... D27/101  
D826,471 S \* 8/2018 Wang ..... D27/167  
D836,243 S \* 12/2018 Liu ..... D27/167  
D854,739 S \* 7/2019 Li ..... D27/162  
D861,978 S \* 10/2019 Lai ..... D27/194  
D881,456 S \* 4/2020 Chen ..... D27/162  
D883,567 S \* 5/2020 Liu ..... D27/162  
D900,387 S \* 10/2020 Liu ..... D27/162

**1 Claim, 16 Drawing Sheets**



(56)

**References Cited**

U.S. PATENT DOCUMENTS

D926,358	S *	7/2021	Liu	.....	D27/162
D926,360	S *	7/2021	Liu	.....	D27/162
D926,365	S *	7/2021	Liu	.....	D27/167
D928,397	S *	8/2021	Liu	.....	D27/162
D932,097	S *	9/2021	Liu	.....	D27/162
D934,490	S *	10/2021	Shi	.....	D27/162
D942,069	S *	1/2022	Shi	.....	D27/162
D943,815	S *	2/2022	Liu	.....	D27/162
D948,778	S *	4/2022	Liu	.....	D27/162
D948,779	S *	4/2022	Liu	.....	D27/162
D951,534	S *	5/2022	Liu	.....	D27/162
D953,618	S *	5/2022	Liu	.....	D27/162
D958,450	S *	7/2022	Wang	.....	D27/162
2017/0013881	A1 *	1/2017	Liu	.....	H05B 3/12
2018/0263282	A1 *	9/2018	Qiu	.....	A24F 40/46

\* cited by examiner

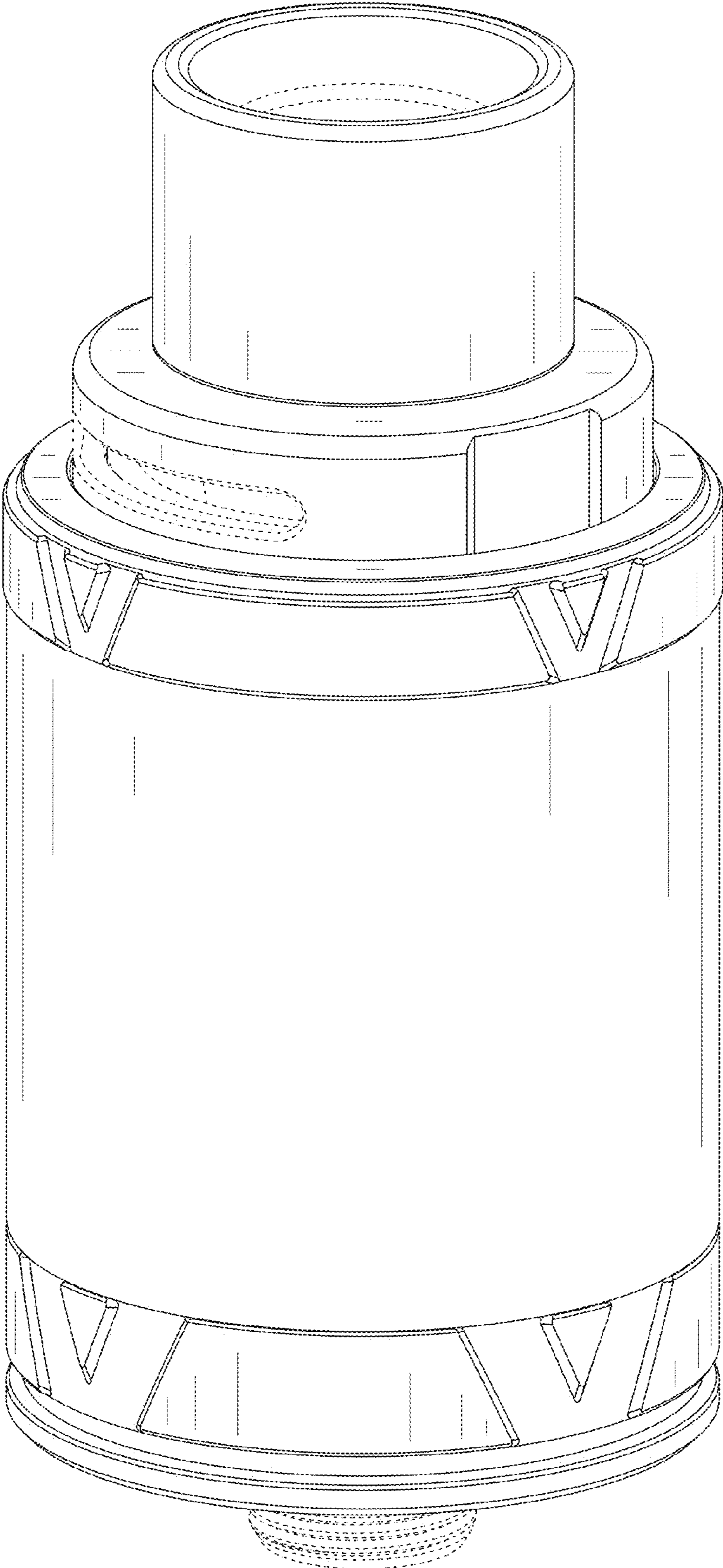


FIG. 1

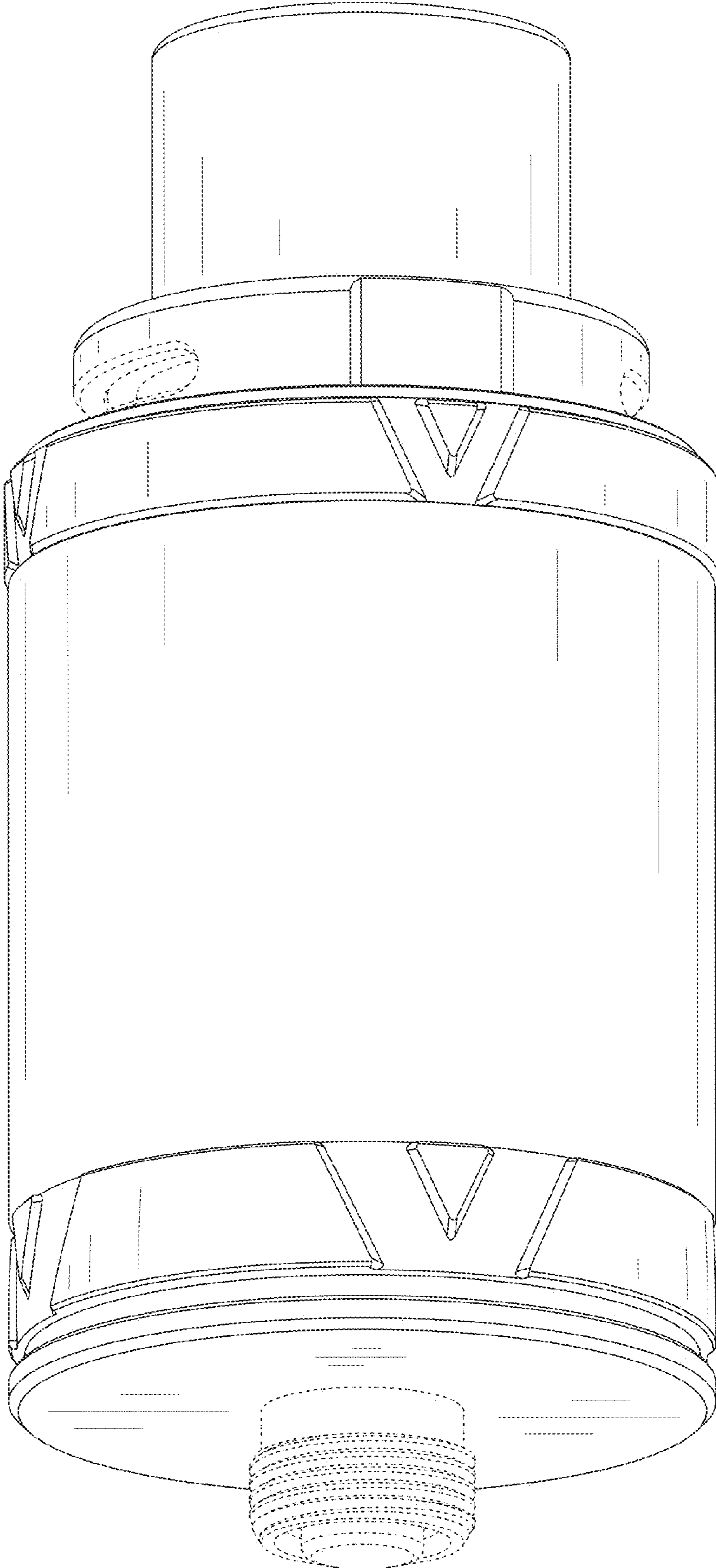


FIG. 2

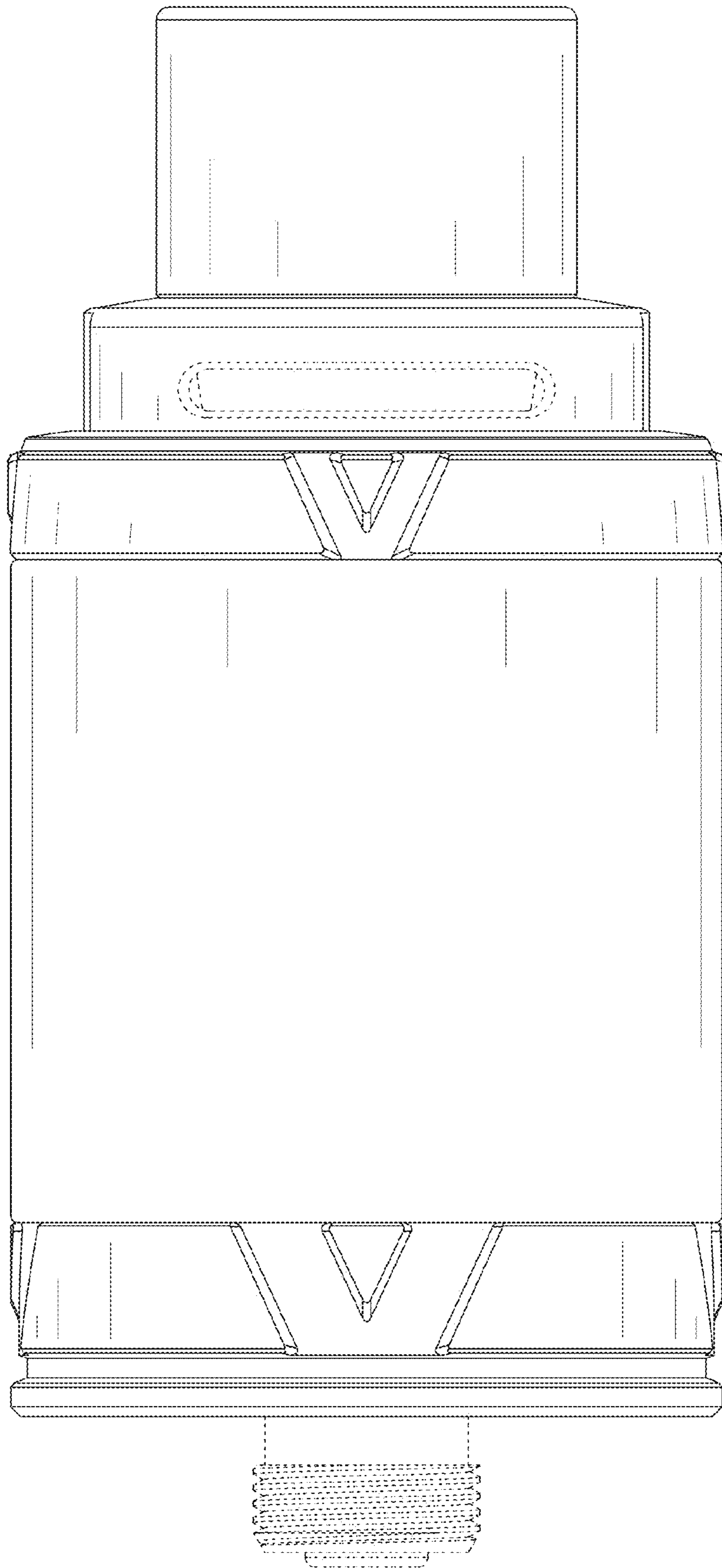


FIG. 3

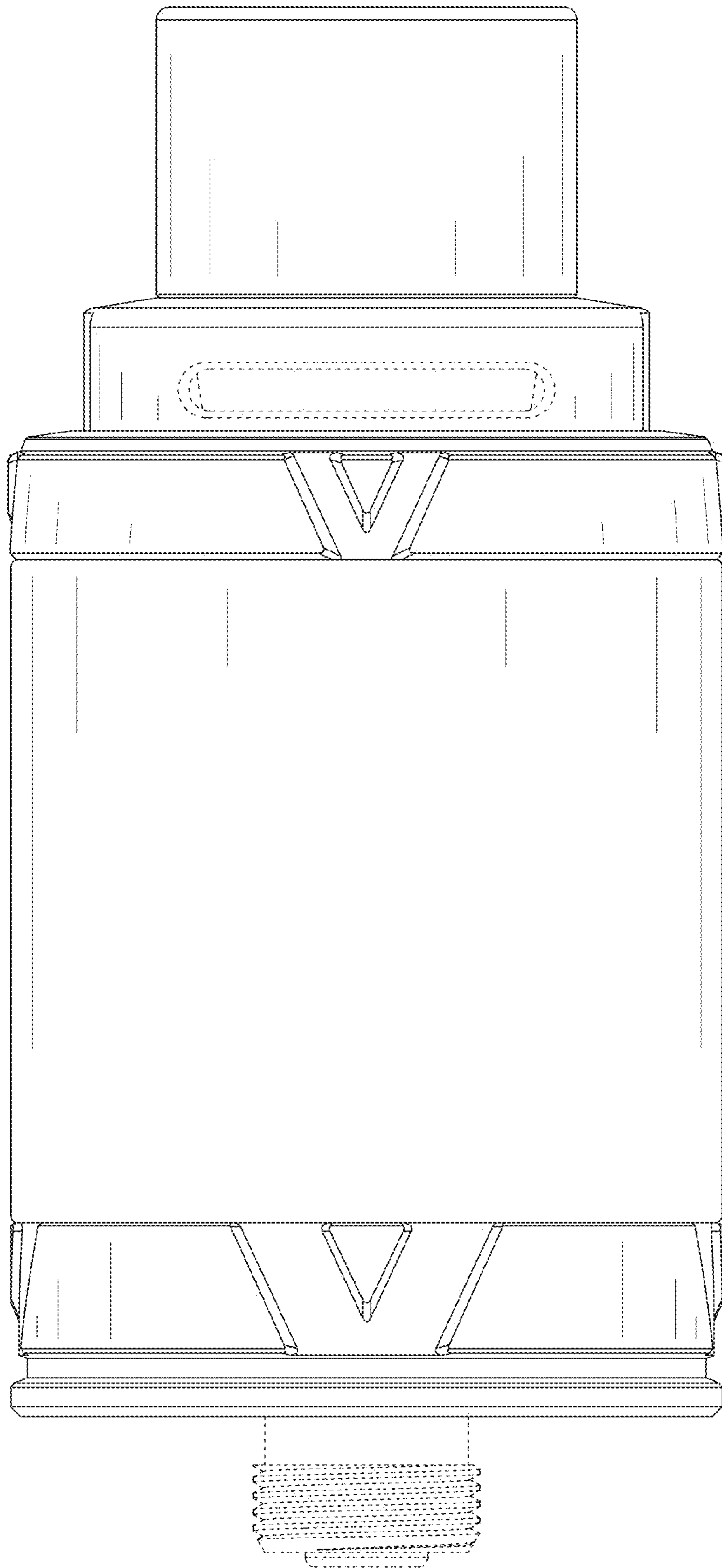


FIG. 4

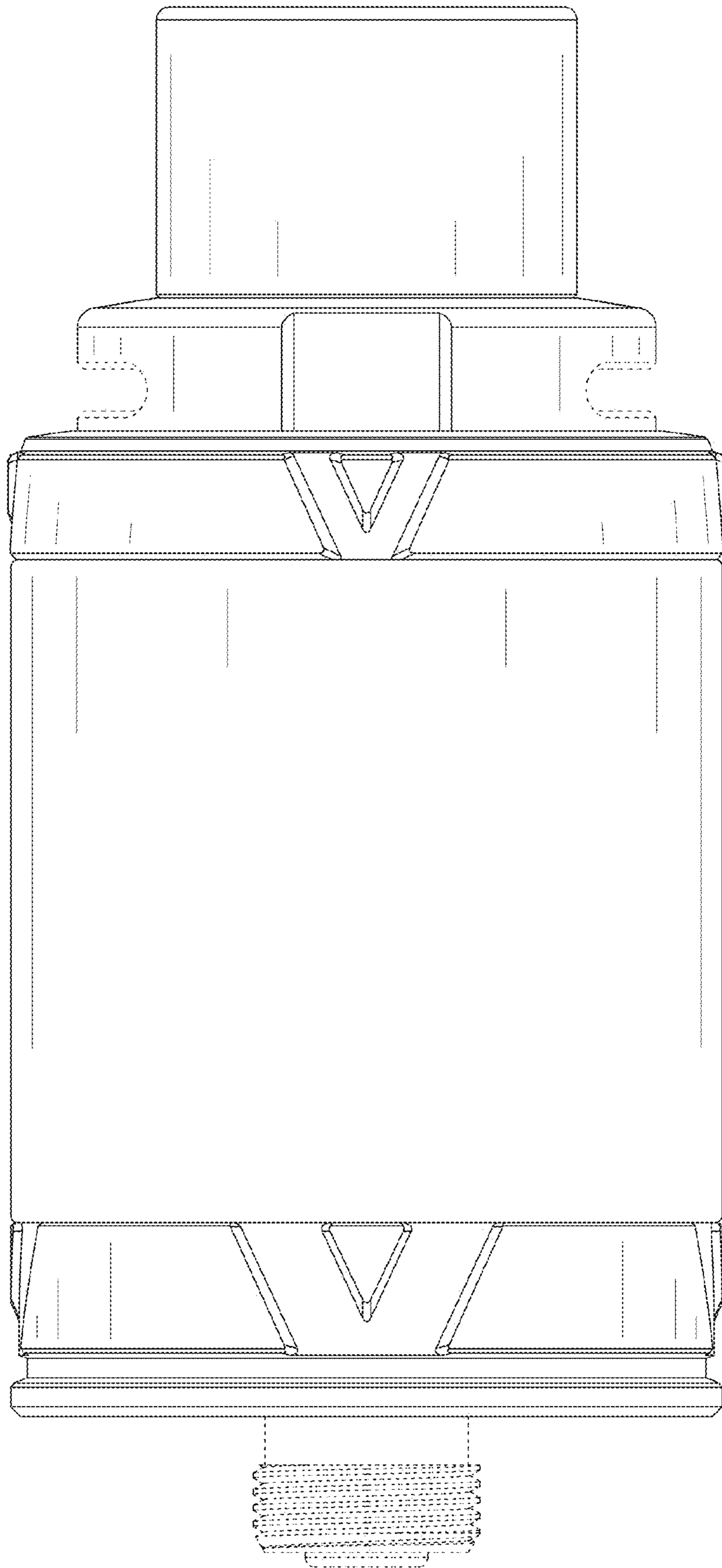


FIG. 5

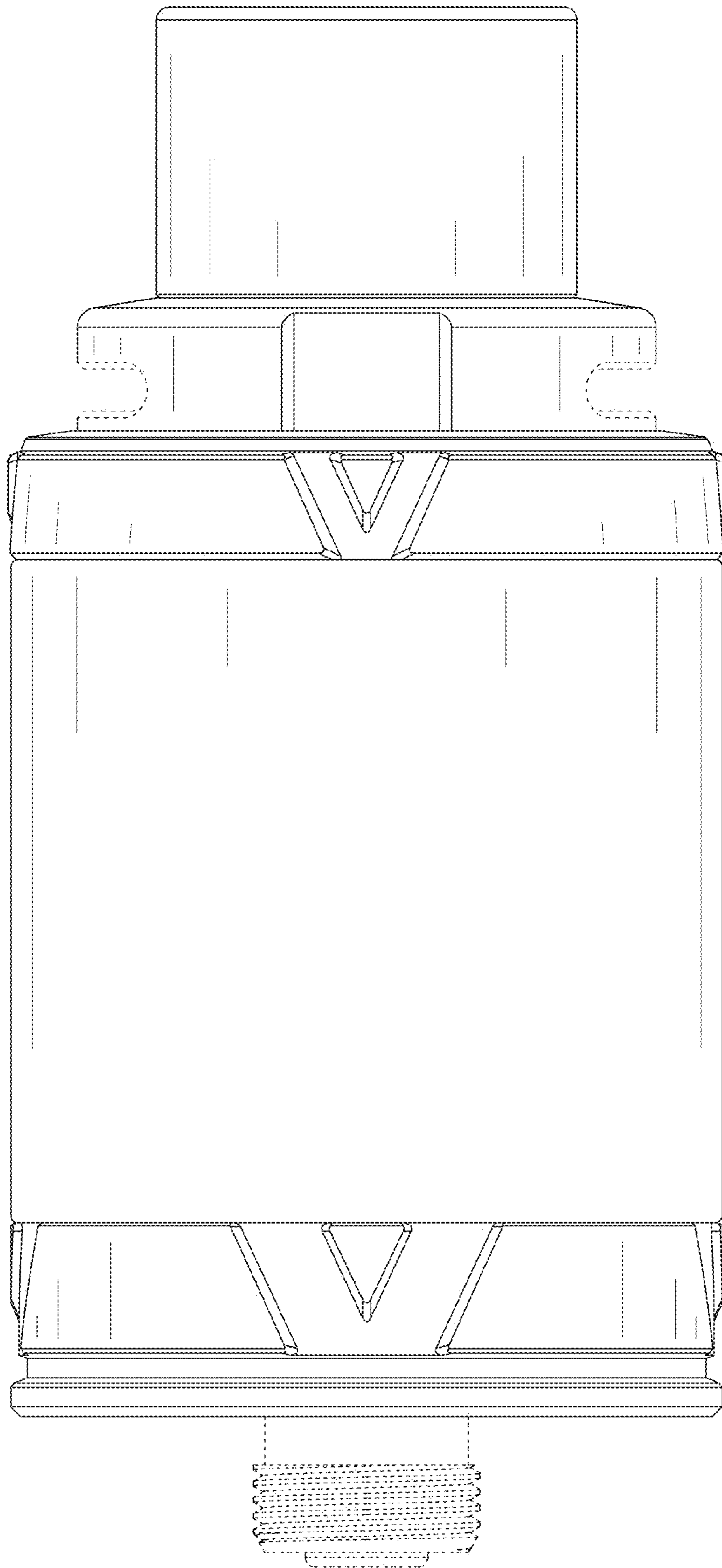


FIG. 6



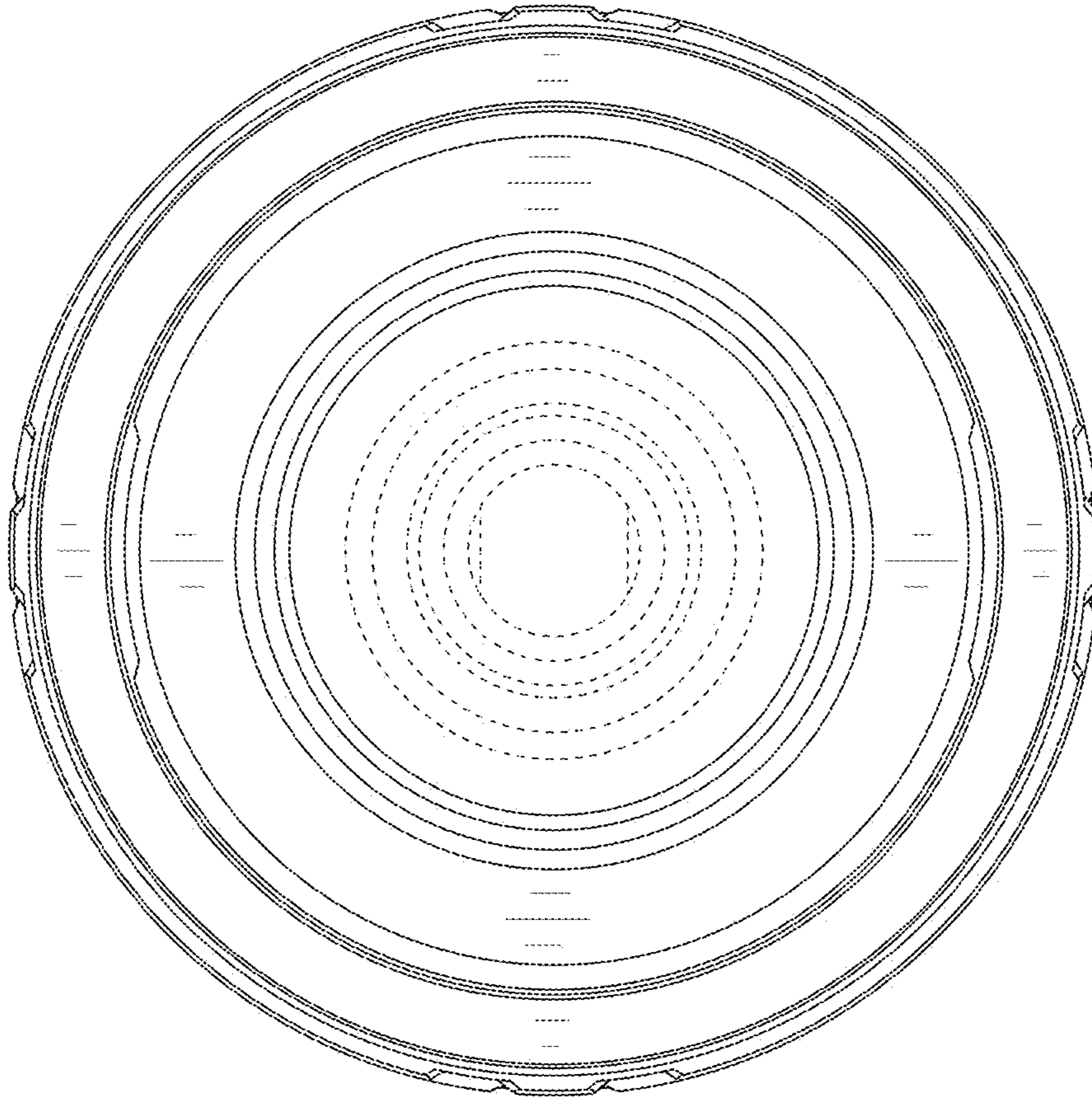


FIG. 7

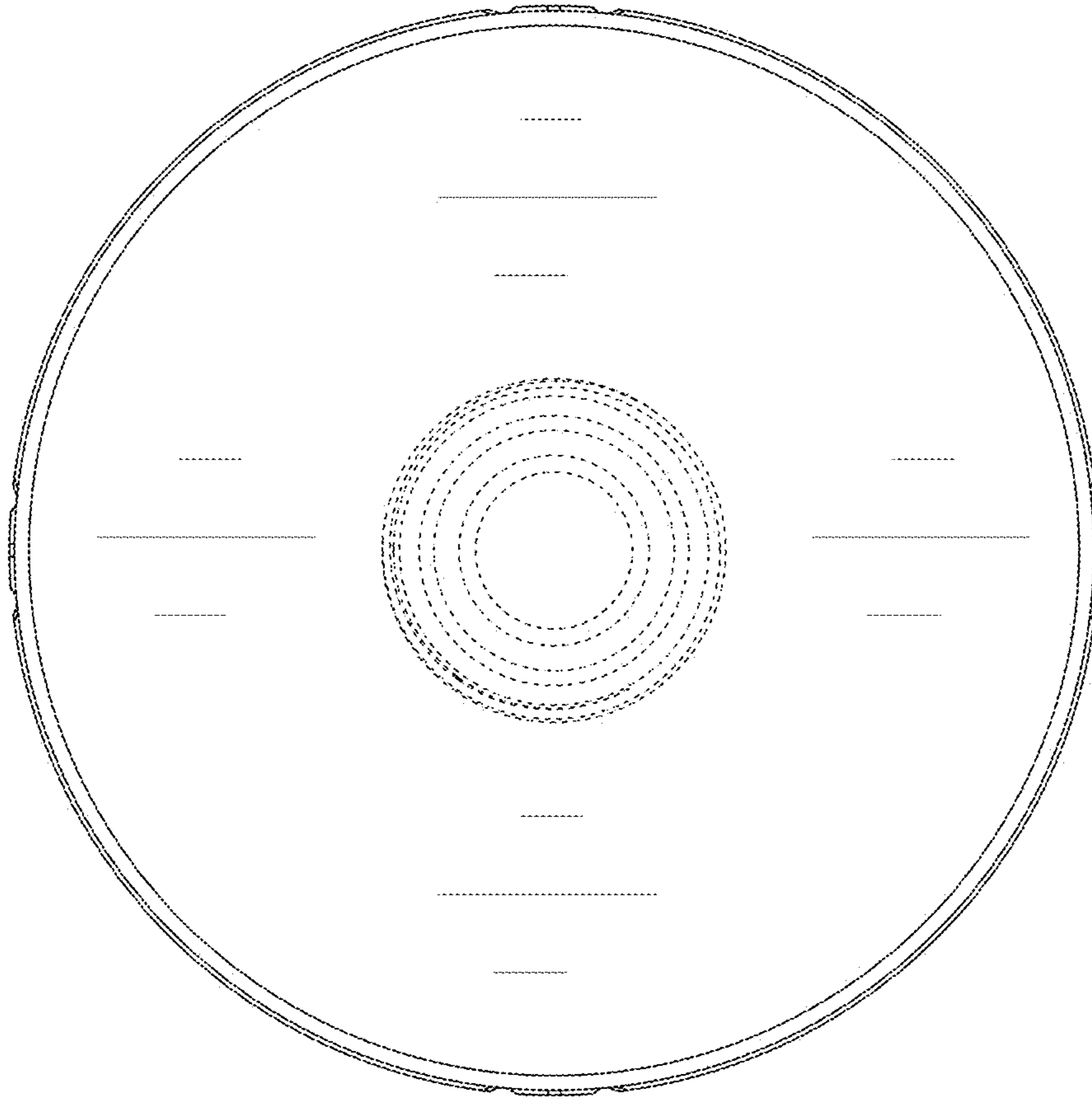


FIG. 8

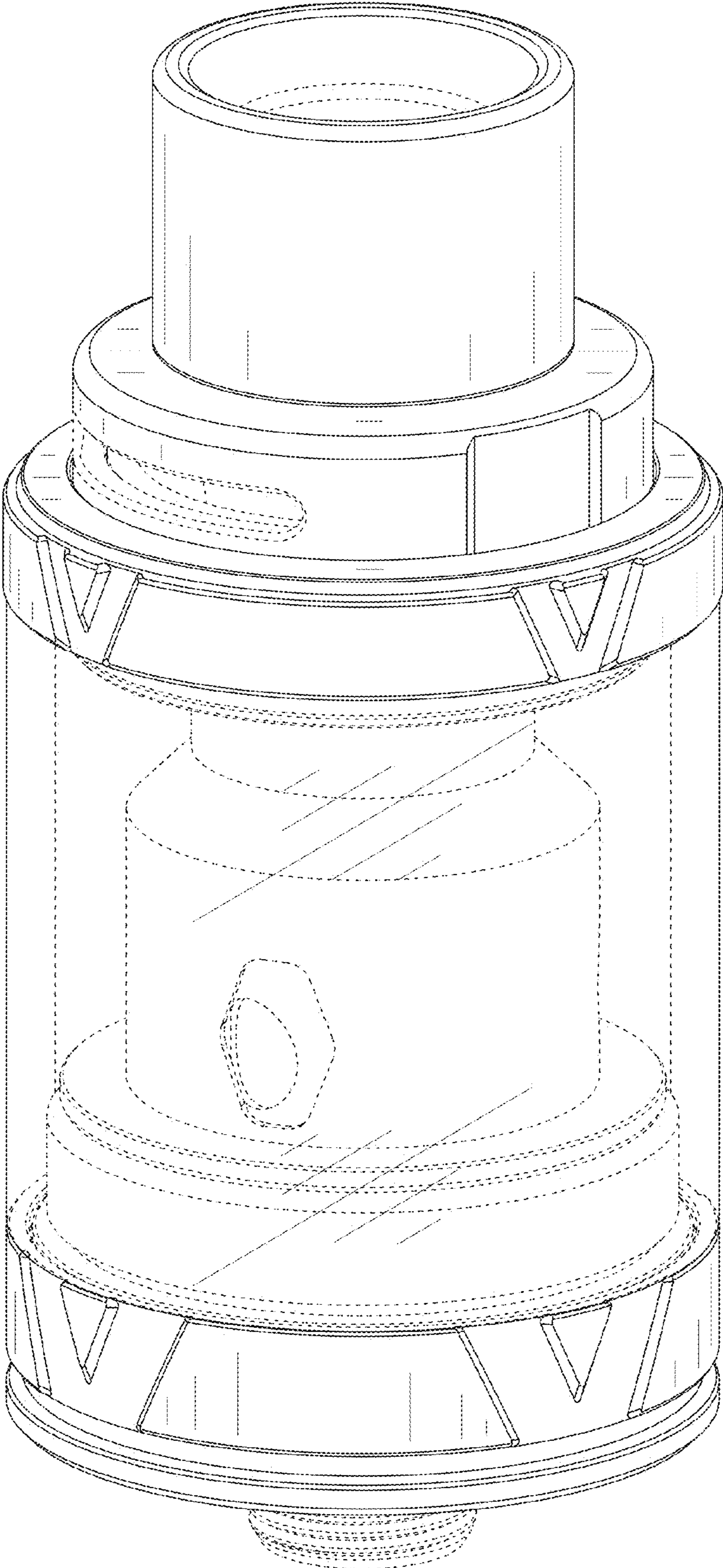


FIG. 9

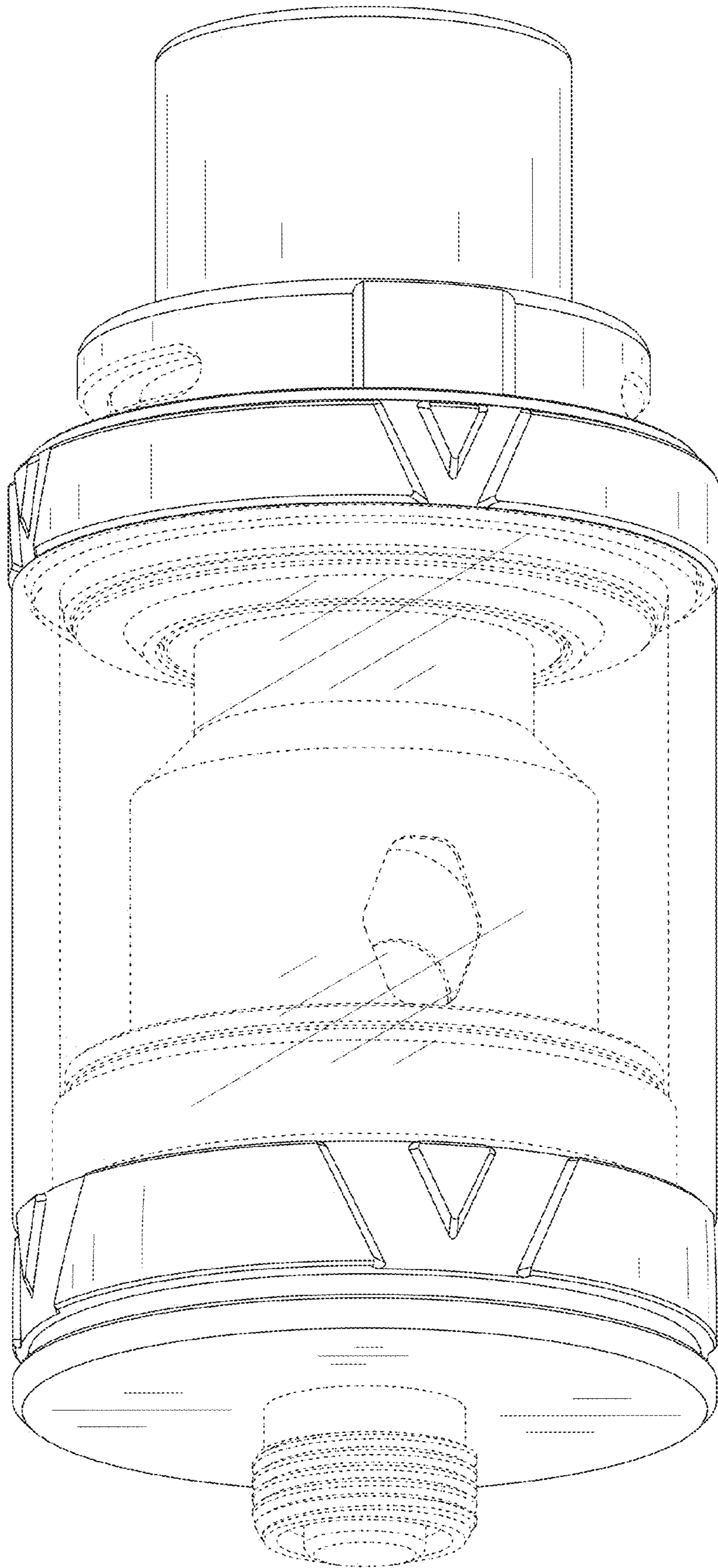


FIG. 10

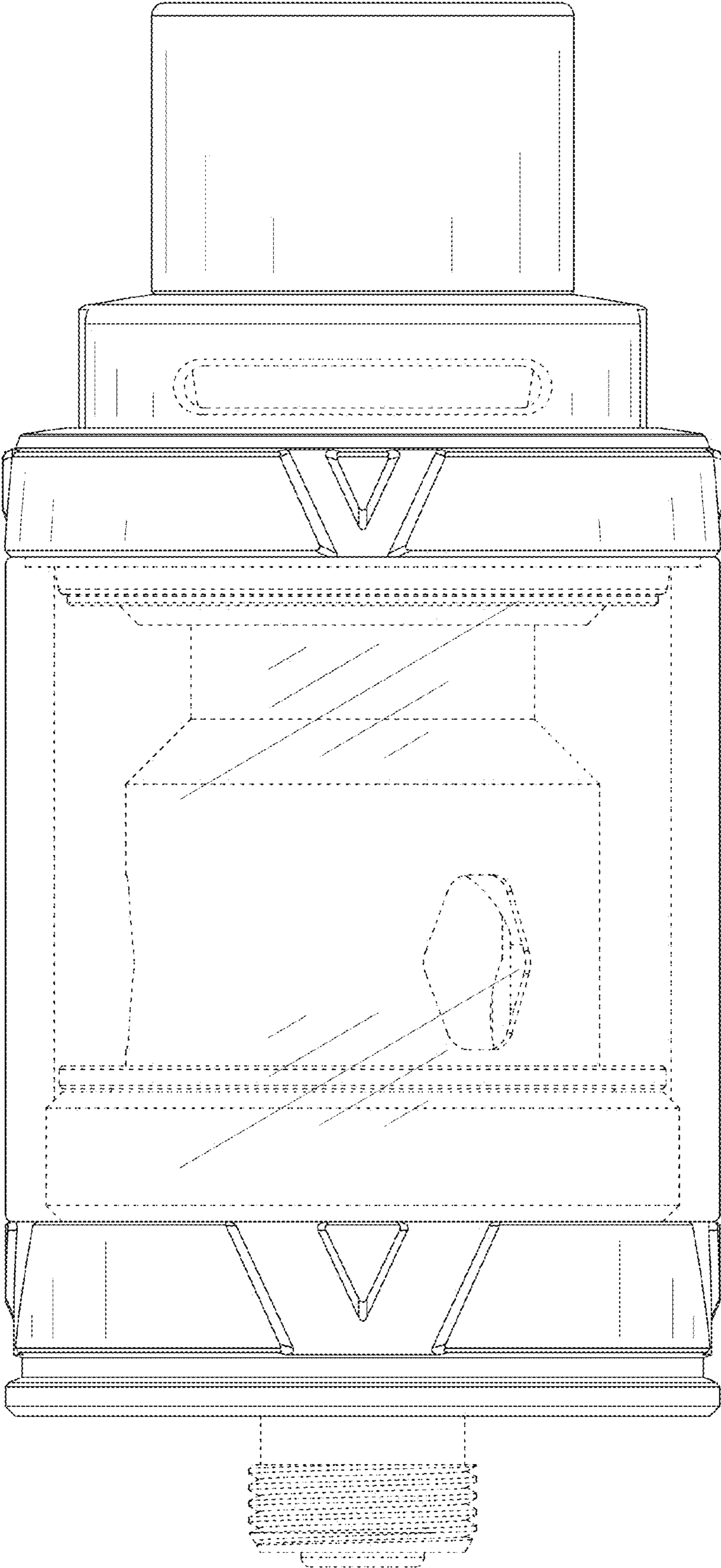


FIG. 11

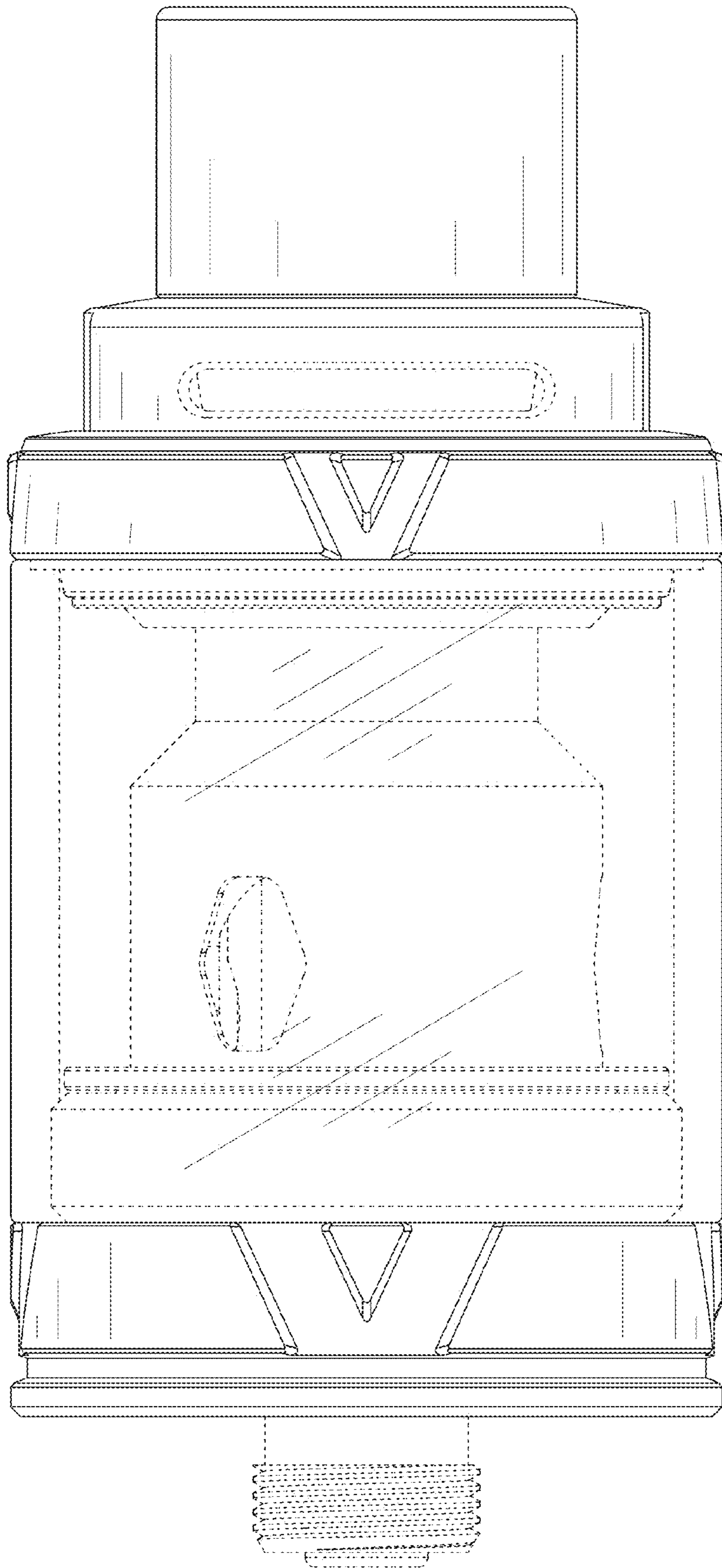


FIG. 12

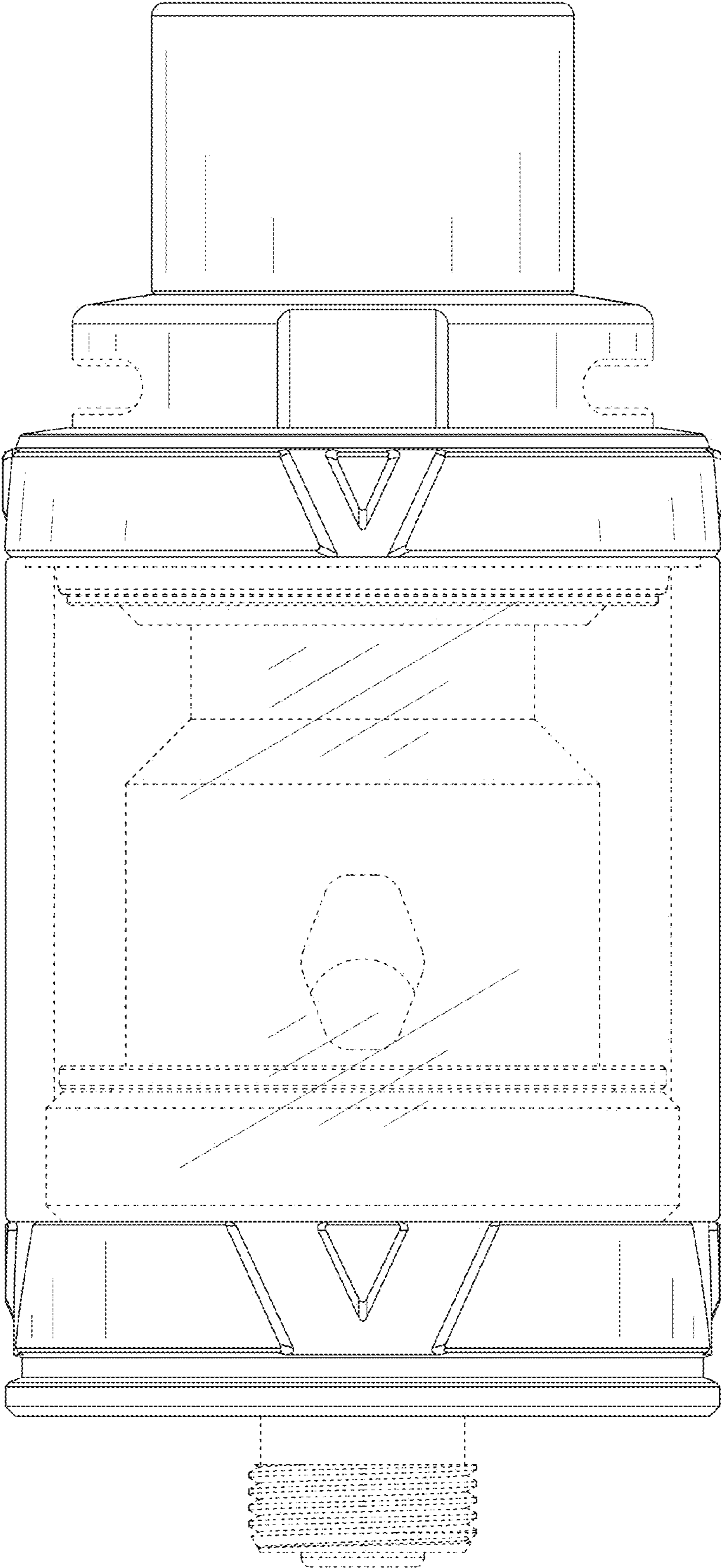


FIG. 13

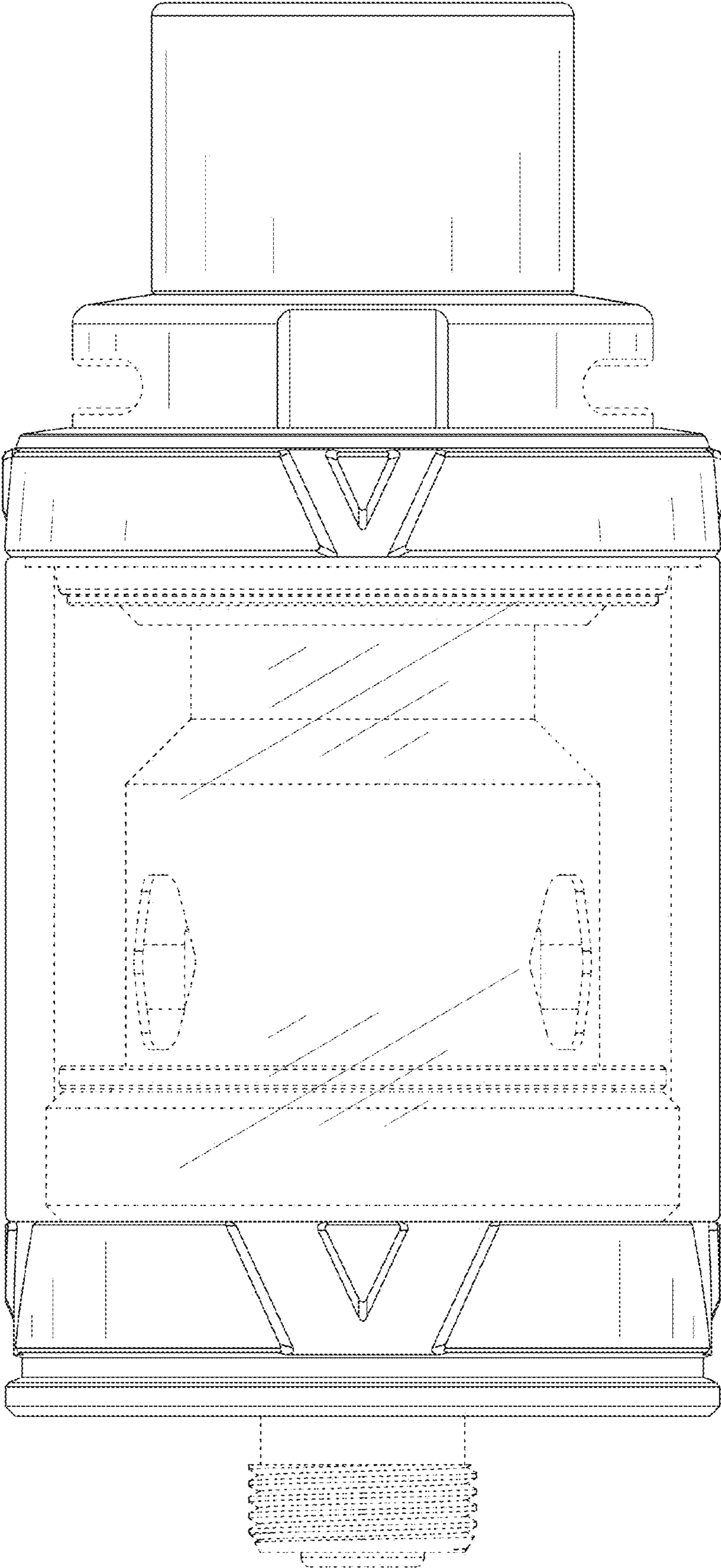


FIG. 14



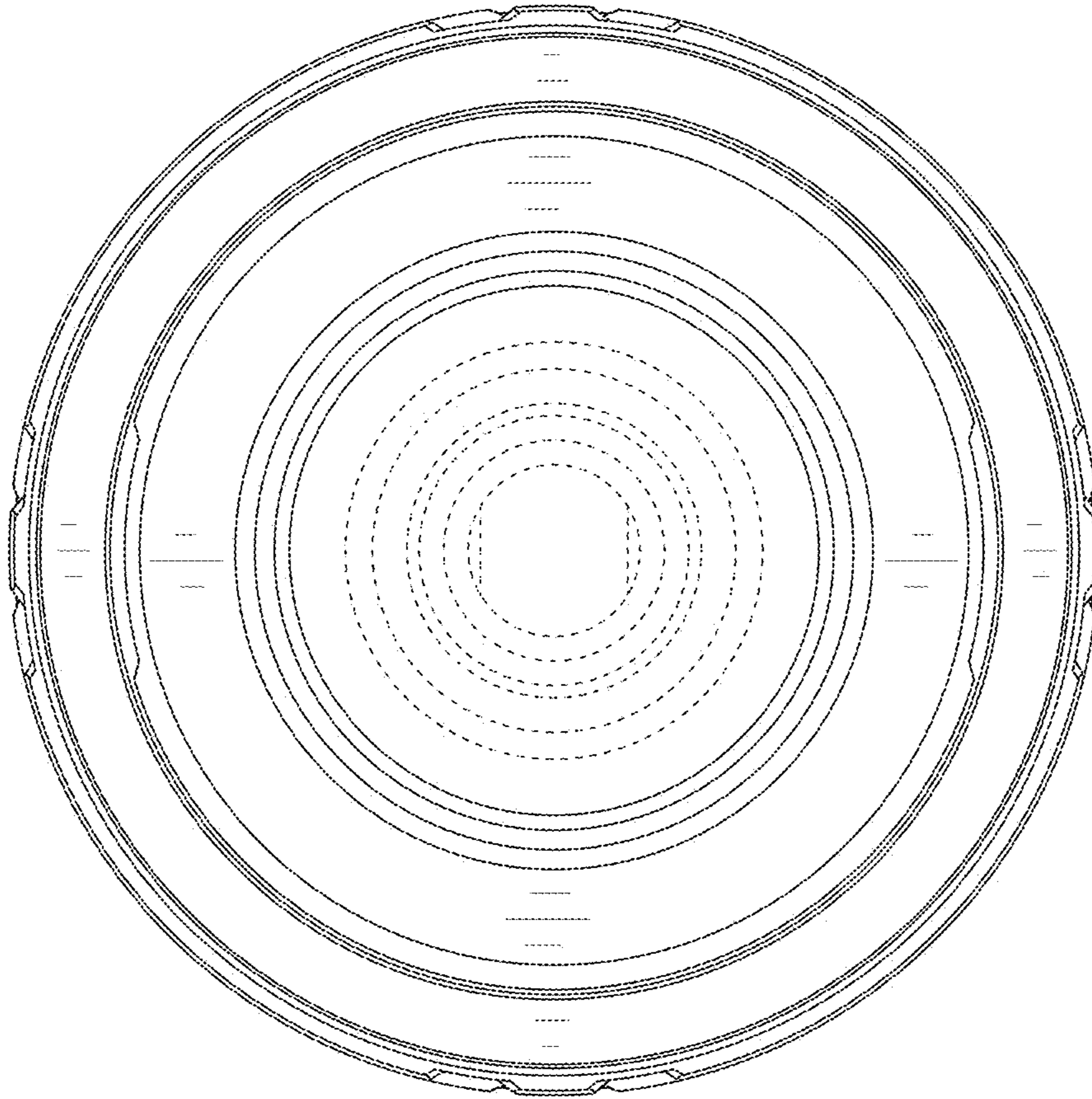


FIG. 15



FIG. 16