



US00D974648S

(12) **United States Design Patent**
McCain

(10) **Patent No.:** **US D974,648 S**

(45) **Date of Patent:** **** *Jan. 3, 2023**

(54) **LED LAMP BEZEL**

F21V 5/00; F21V 21/04; F21V 29/004;
B60Q 9/13; B60Q 9/135; B60Q 9/1375

(71) Applicant: **DIODE DYNAMICS, L.L.C.**, St.
Charles, MO (US)

See application file for complete search history.

(72) Inventor: **Paul Jerome McCain**, St. Charles, MO
(US)

(56) **References Cited**

(73) Assignee: **DIODE DYNAMICS, L.L.C.**, St.
Charles, MO (US)

U.S. PATENT DOCUMENTS

D469,213 S *	1/2003	Huang	D26/139
D523,168 S *	6/2006	Reed	D26/139
D724,255 S *	3/2015	Herbin	D26/139

(*) Notice: This patent is subject to a terminal disclaimer.

* cited by examiner

(**) Term: **15 Years**

Primary Examiner — Marcus A Jackson

(74) *Attorney, Agent, or Firm* — Harness, Dickey & Pierce, P.L.C.

(21) Appl. No.: **29/778,896**

(57) **CLAIM**

(22) Filed: **Apr. 15, 2021**

I claim the ornamental design for a LED lamp bezel, as shown and described.

DESCRIPTION

Related U.S. Application Data

(63) Continuation-in-part of application No. 29/718,351,
filed on Dec. 23, 2019, now Pat. No. Des. 936,864.

FIG. 1 is a front elevational view of an LED lamp bezel embodying the new design;

(51) **LOC (14) Cl.** **26-99**

FIG. 2 is a front perspective view;

(52) **U.S. Cl.**

FIG. 3 is a left side elevational view;

USPC **D26/139**

FIG. 4 is a rear elevational view; and,

(58) **Field of Classification Search**

USPC D26/28-36, 139

FIG. 5 is a top perspective view.

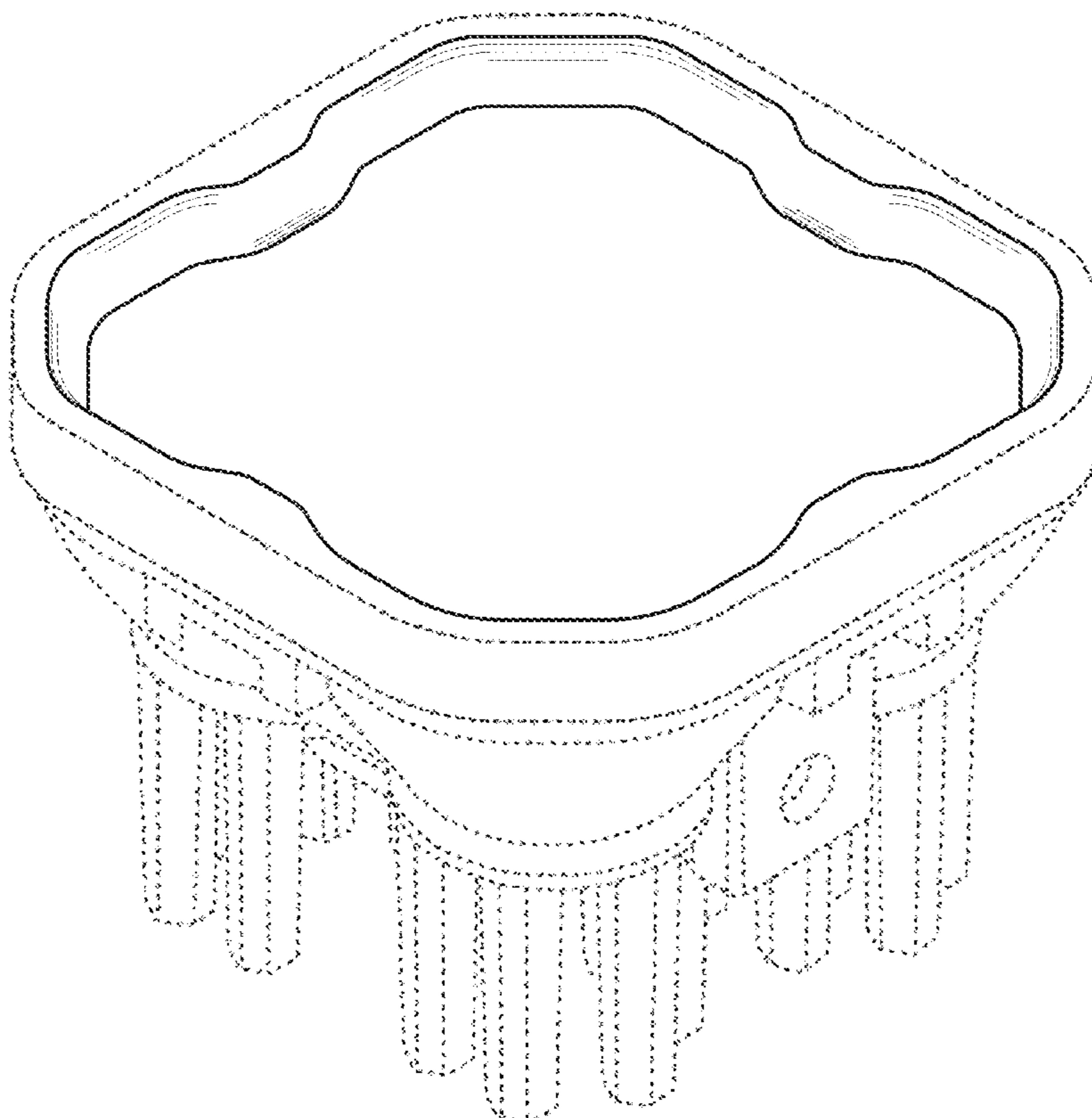
CPC F21S 48/00; F21S 48/10; F21S 48/115;

The broken lines showing the remaining portion of the lamp are included for the purpose of illustration only and form no part of the claimed design.

F21S 48/225; F21S 48/1233; F21S

48/1266; F21S 48/1388; F21S 48/2268;

1 Claim, 5 Drawing Sheets



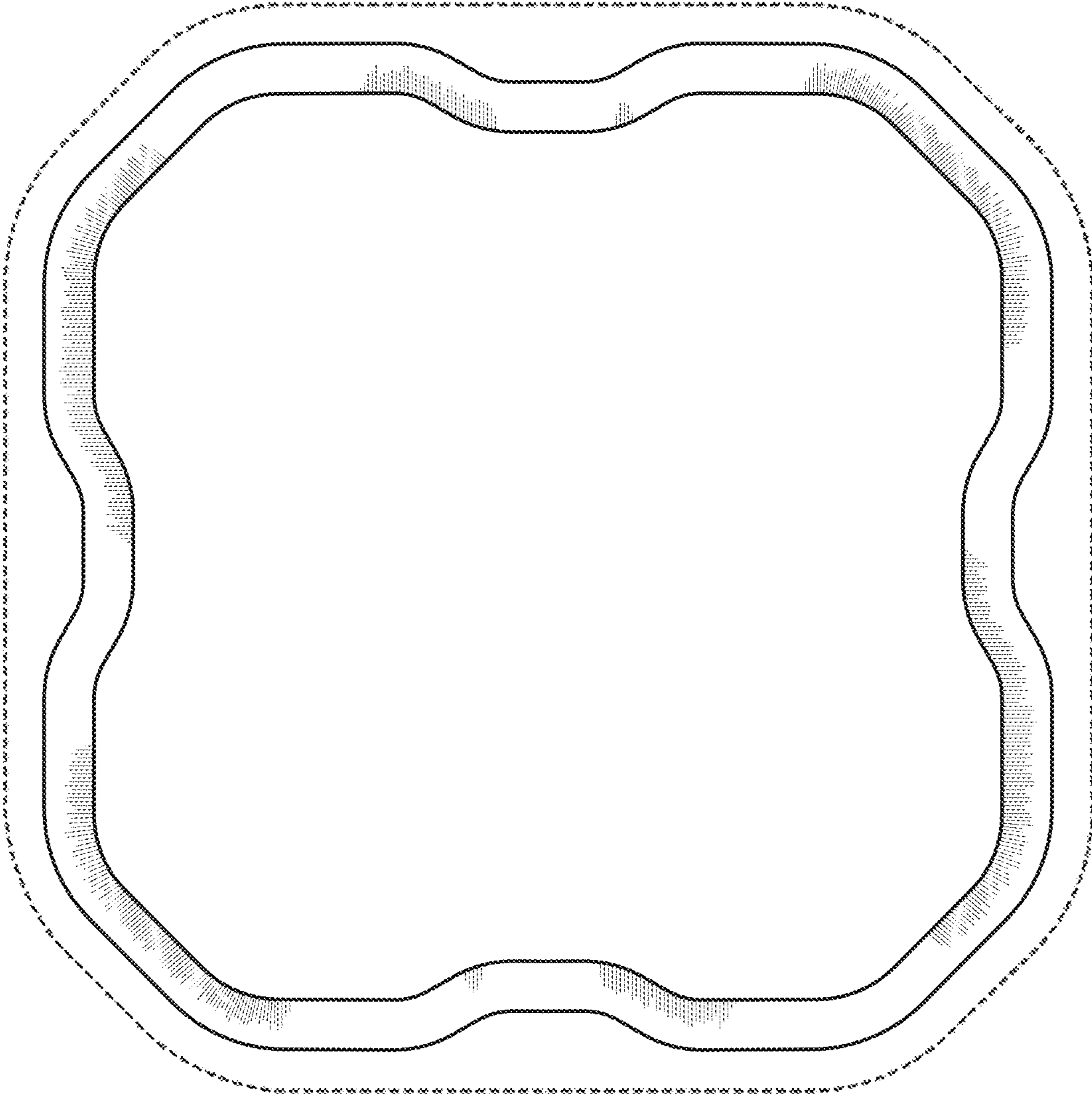


FIG. 1

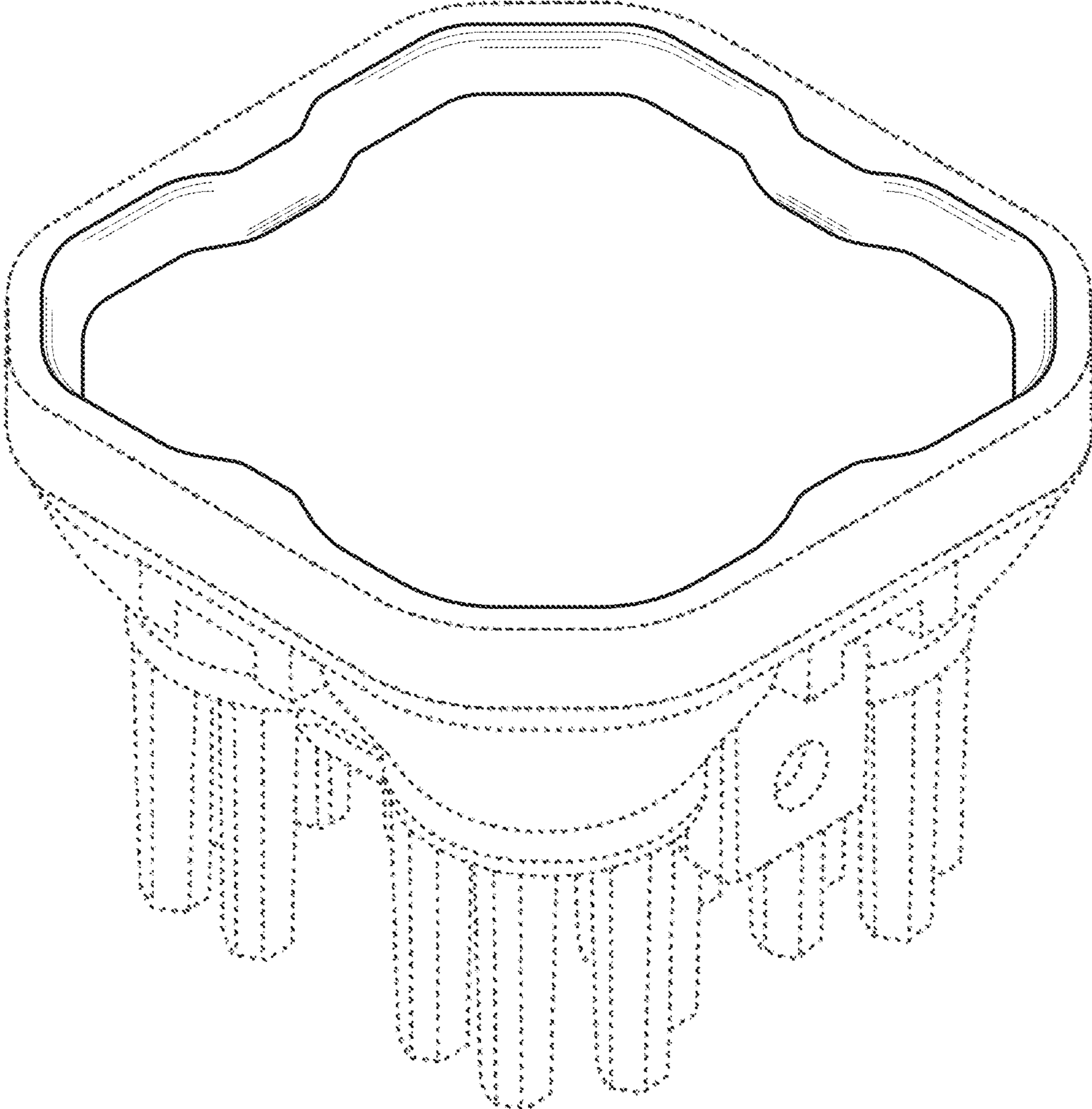


FIG. 2

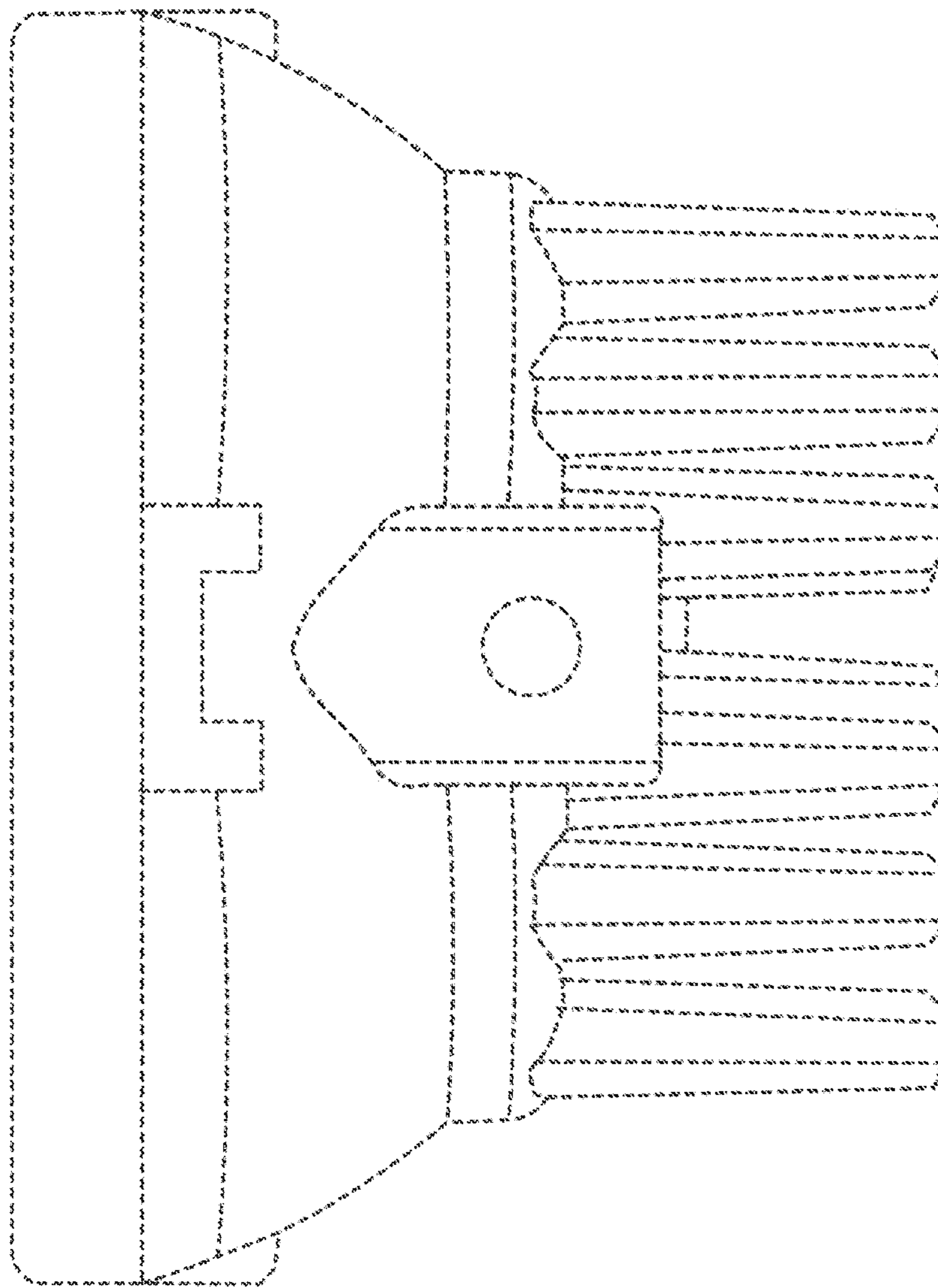


FIG. 3

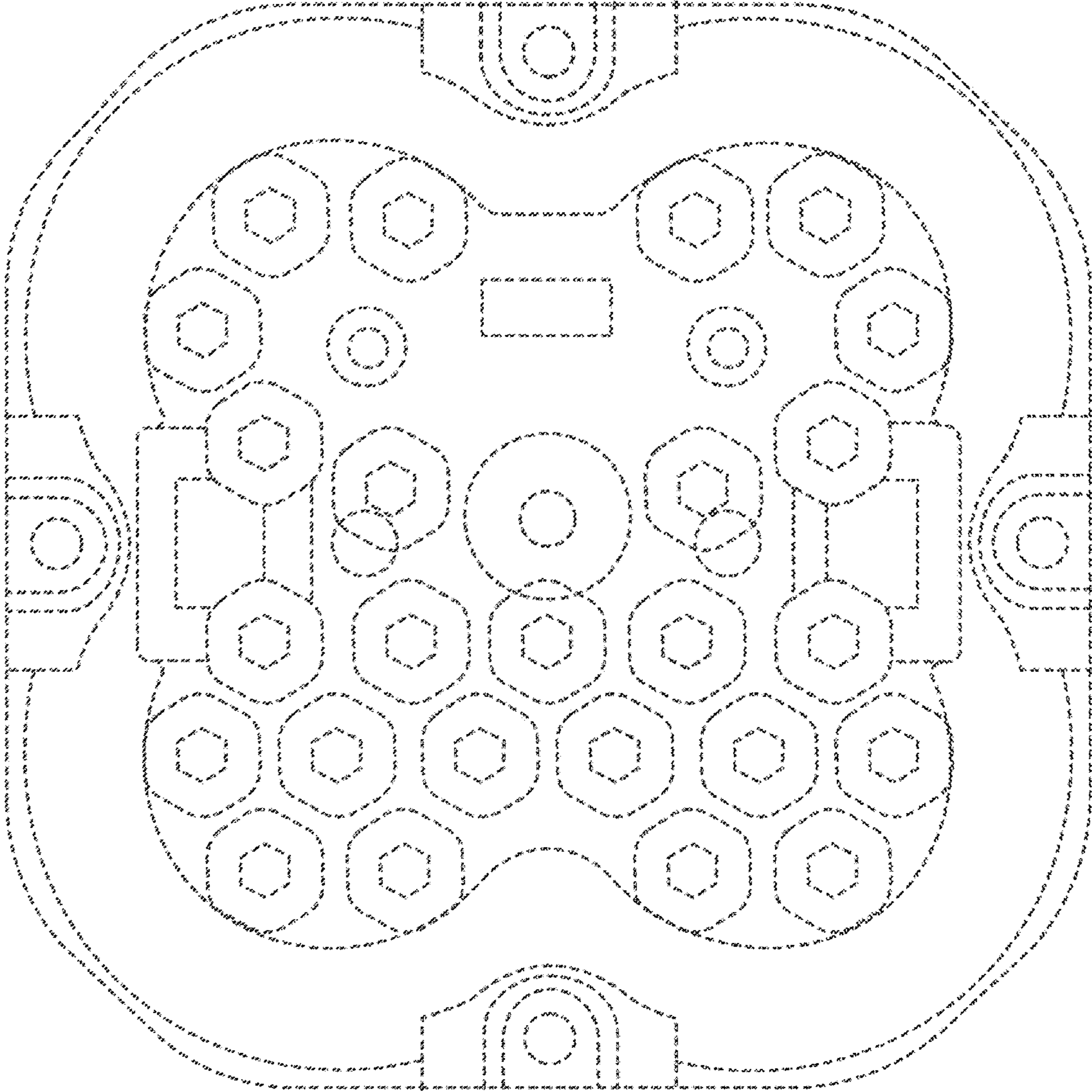


FIG. 4

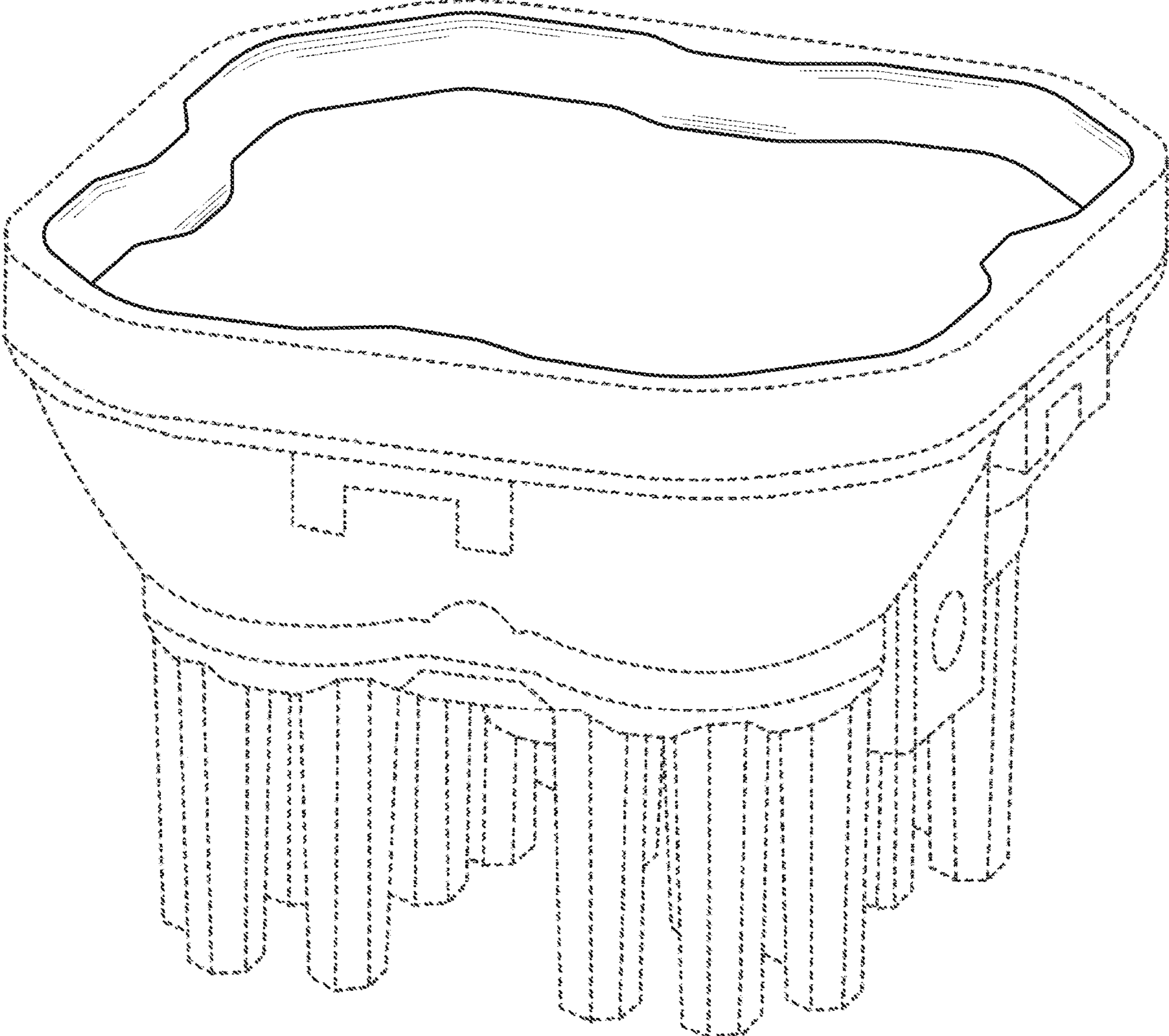


FIG. 5