



US00D974647S

(12) **United States Design Patent**
Seichter et al.

(10) **Patent No.:** **US D974,647 S**
(45) **Date of Patent:** **** Jan. 3, 2023**

(54) **REFLECTOR OPTIC FOR A LAMP**

(71) Applicant: **OSRAM GmbH**, Munich (DE)

(72) Inventors: **Christian Seichter**, Herbrechtingen (DE); **Kevin Bayer**, Heidenheim (DE)

(73) Assignee: **OSRAM GmbH**, Munich (DE)

(**) Term: **15 Years**

(21) Appl. No.: **29/750,022**

(22) Filed: **Sep. 10, 2020**

(30) **Foreign Application Priority Data**

Mar. 23, 2020 (EM) 007768304

(51) **LOC (14) Cl.** **26-05**

(52) **U.S. Cl.**
USPC **D26/118**; D26/124

(58) **Field of Classification Search**
USPC D16/237, 238, 247; D26/24, 75-77, 85, D26/88, 105, 107, 108, 112, 113, 118, D26/119, 120, 122, 131, 123, 124, 128
CPC F21V 7/00; F21V 7/0008; F21V 7/0075; F21V 7/0058; F21V 7/04; F21V 7/045; F21V 7/07; F21V 7/08

See application file for complete search history.

(56) **References Cited**

U.S. PATENT DOCUMENTS

D34,685 S * 6/1901 Dixon D26/131
4,447,865 A * 5/1984 VanHorn F21V 7/09
362/348
D377,841 S * 2/1997 Vakil D26/85
D591,785 S * 5/2009 Fong D16/237
D593,229 S * 5/2009 Hanley D26/28

D678,598 S * 3/2013 Wu D26/120
D807,288 S * 1/2018 Kim D13/107
D813,292 S * 3/2018 Godfrey D16/237
D865,038 S * 10/2019 Sandvik D16/237
D870,665 S * 12/2019 Schubert D13/108
D880,015 S * 3/2020 Zulauf D26/2

FOREIGN PATENT DOCUMENTS

CA 139255 * 2/2011
CN 303097008 * 8/2014
CN 306415443 * 7/2020

OTHER PUBLICATIONS

“Osram” reference by Wiki Deals on Amazon.com, date first available Sep. 11, 2007 [online], site visited Mar. 15, 2022, available from internet URL: <https://www.amazon.com/OSRAM-64634-150W-Tungsten-Halogen/dp/B000G258EK> (Year: 2007).*

(Continued)

Primary Examiner — Marissa J Cash

Assistant Examiner — Liv C Anderson

(74) *Attorney, Agent, or Firm* — Shaun P. Montana

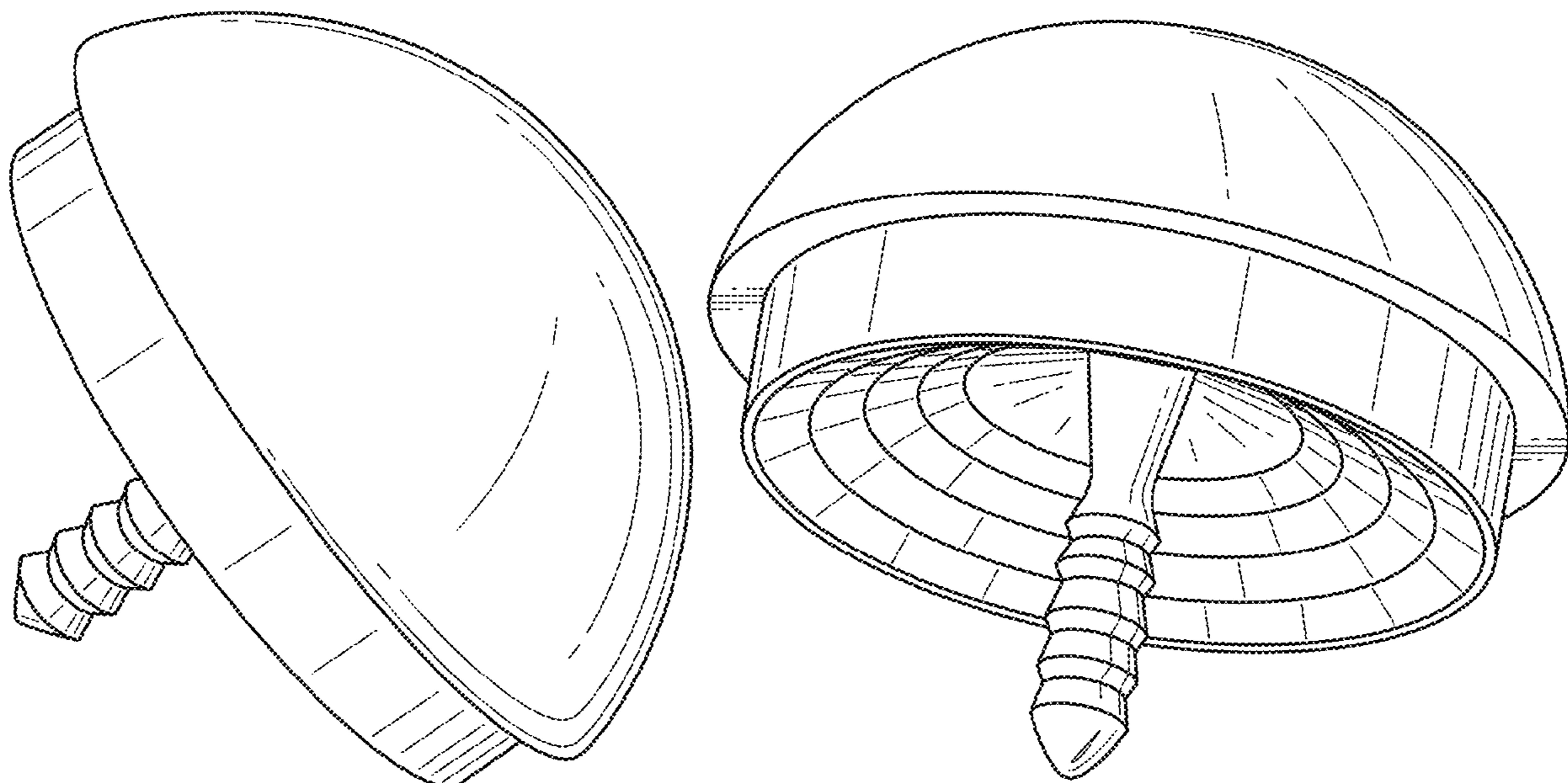
(57) **CLAIM**

The ornamental design for a reflector optic for a lamp, as shown and described.

DESCRIPTION

FIG. 1 is a perspective view of the new design for a reflector optic for a lamp as seen from the front, top;
FIG. 2 is a perspective view of the new design for a reflector optic for a lamp as seen from the side, bottom;
FIG. 3 is a side elevational view thereof, the other sides being the same;
FIG. 4 is a top plan view thereof; and,
FIG. 5 is a bottom plan view thereof.

1 Claim, 2 Drawing Sheets



(56)

References Cited

OTHER PUBLICATIONS

“Woods” reference by Amazon.com, date first available Dec. 1, 2006 [online], site visited Mar. 15, 2022, available from internet URL: <https://www.amazon.com/Woods-Clamp-Aluminum-Reflector-Listed/dp/B000HHQ94C> (Year: 2006).*

“Hilitchi” reference by Hilitchi on Amazon.com, date first available Jul. 5, 2018 [online], site visited Mar. 15, 2022, available from internet URL: <https://www.amazon.com/Hilitchi-Vintage-Decorative-Upholstery-Furniture/dp/B07FBH6QPC> (Year: 2018).*

* cited by examiner

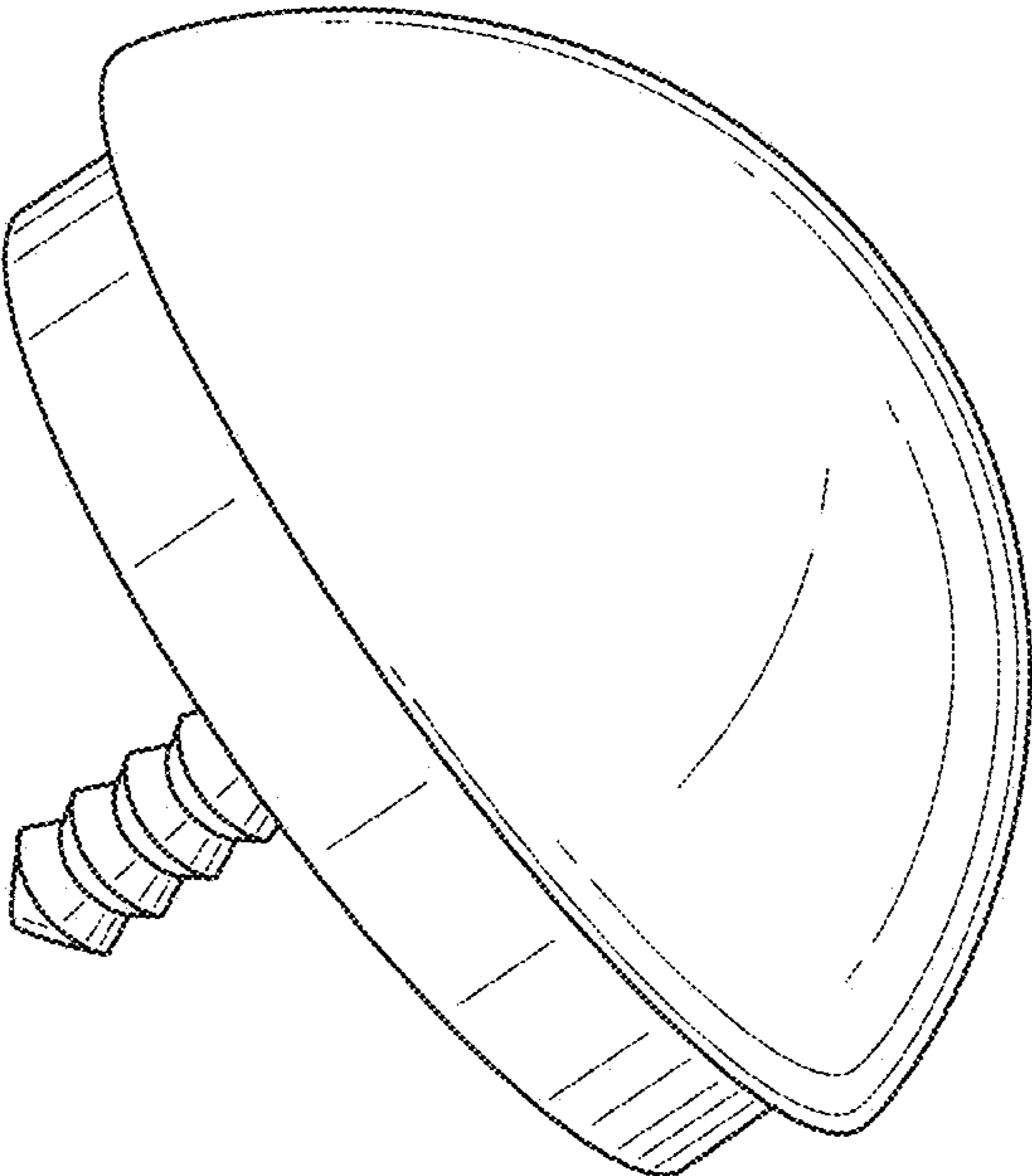


FIG. 1

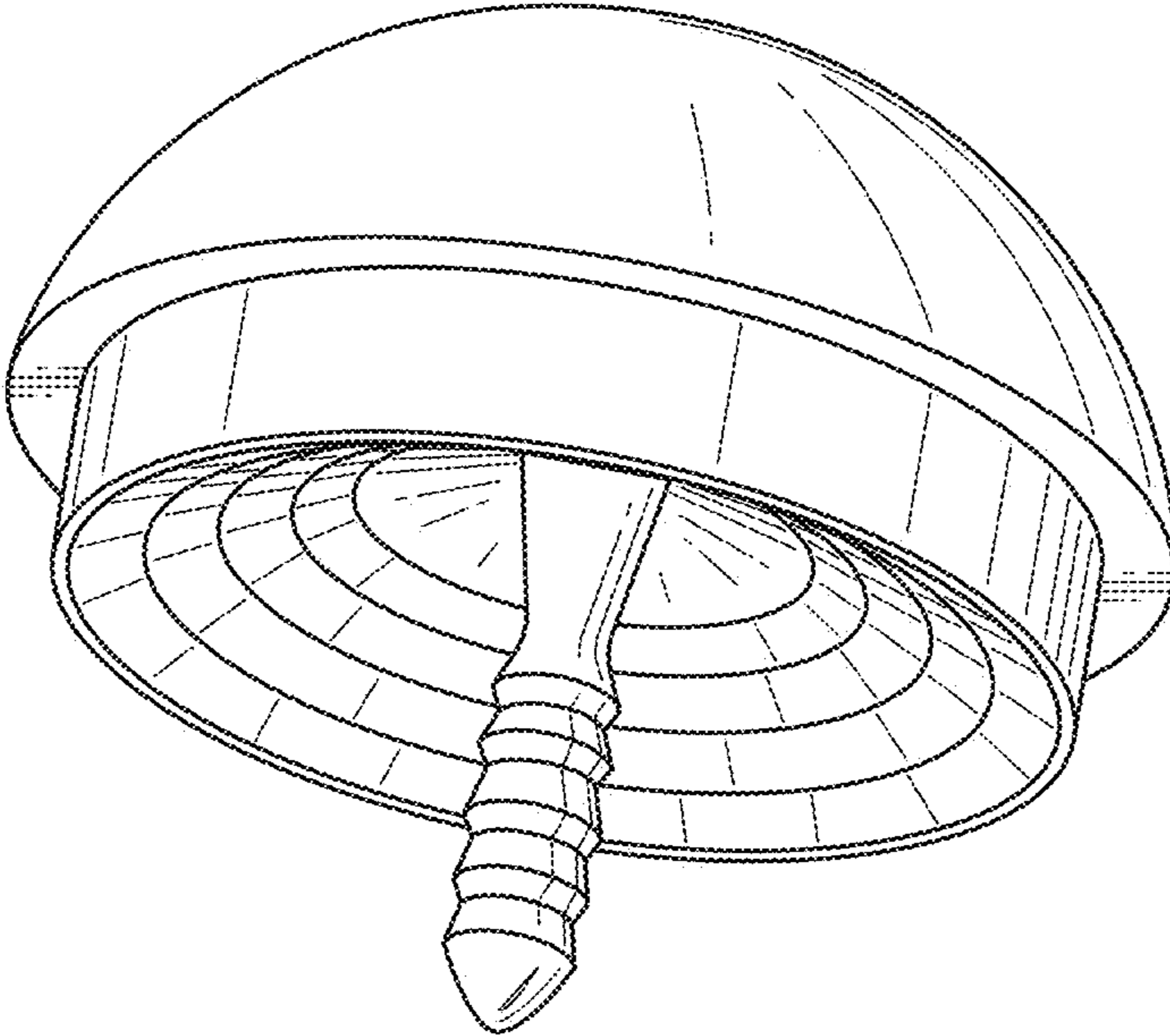


FIG. 2

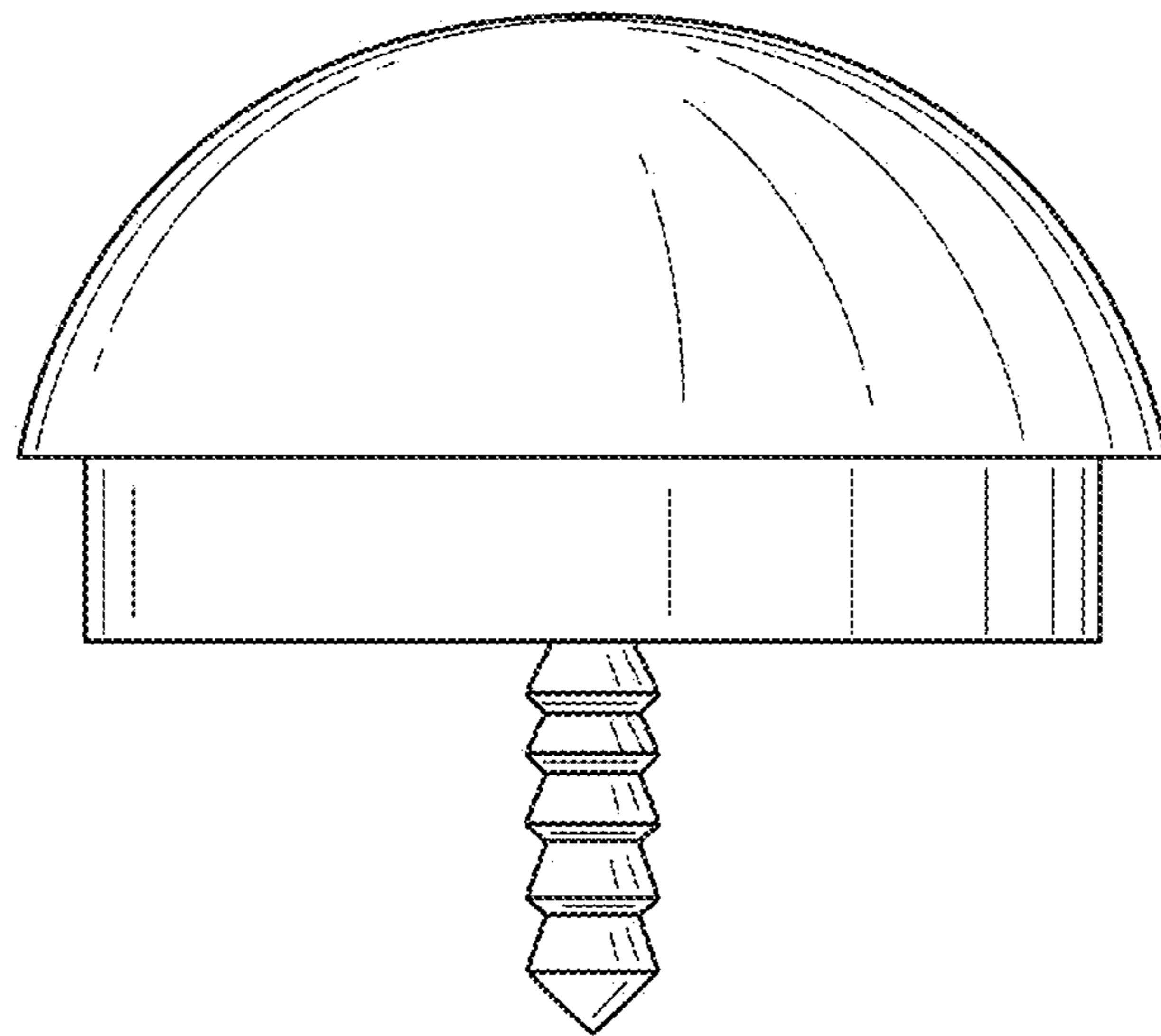


FIG. 3

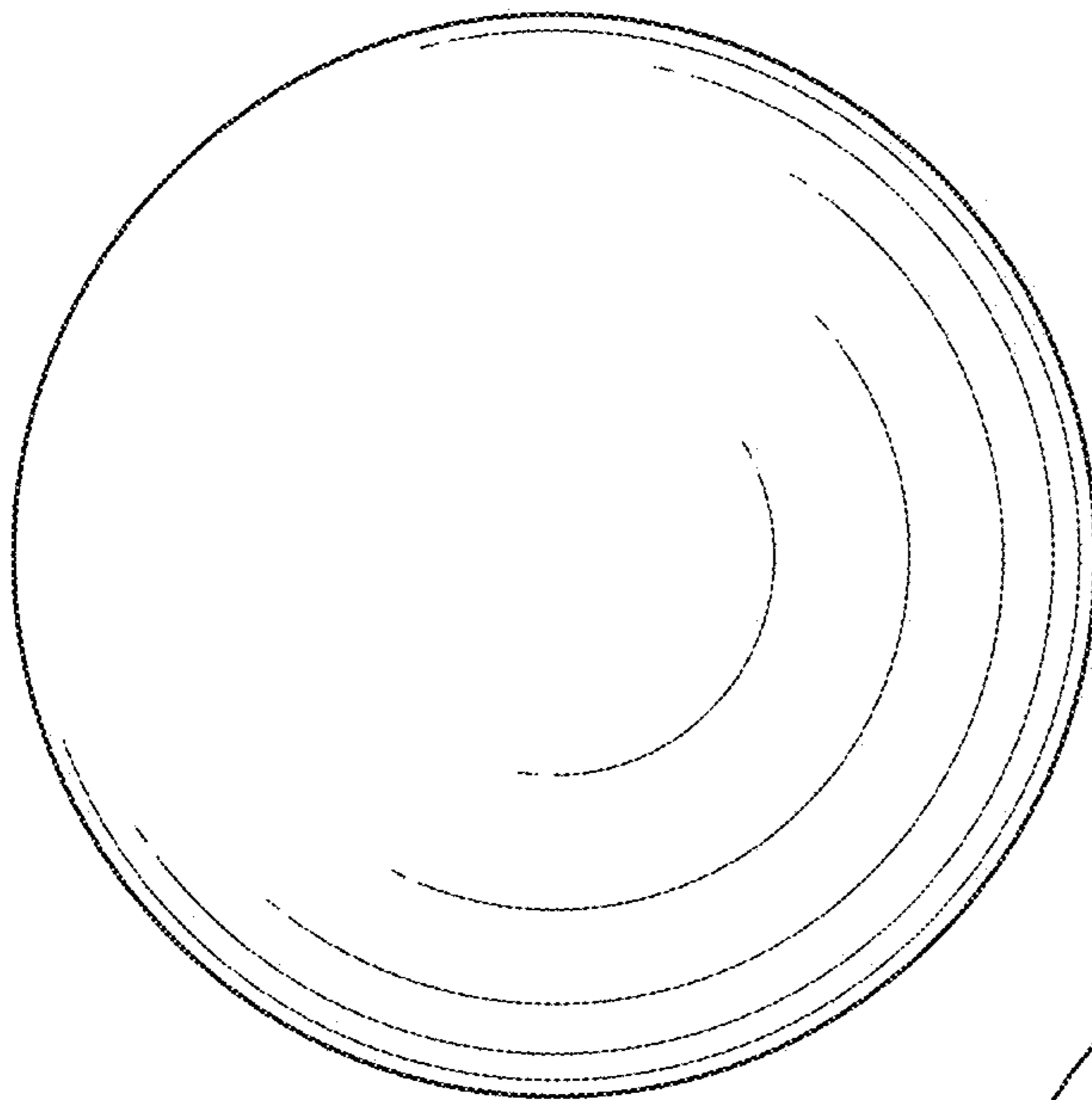


FIG. 4

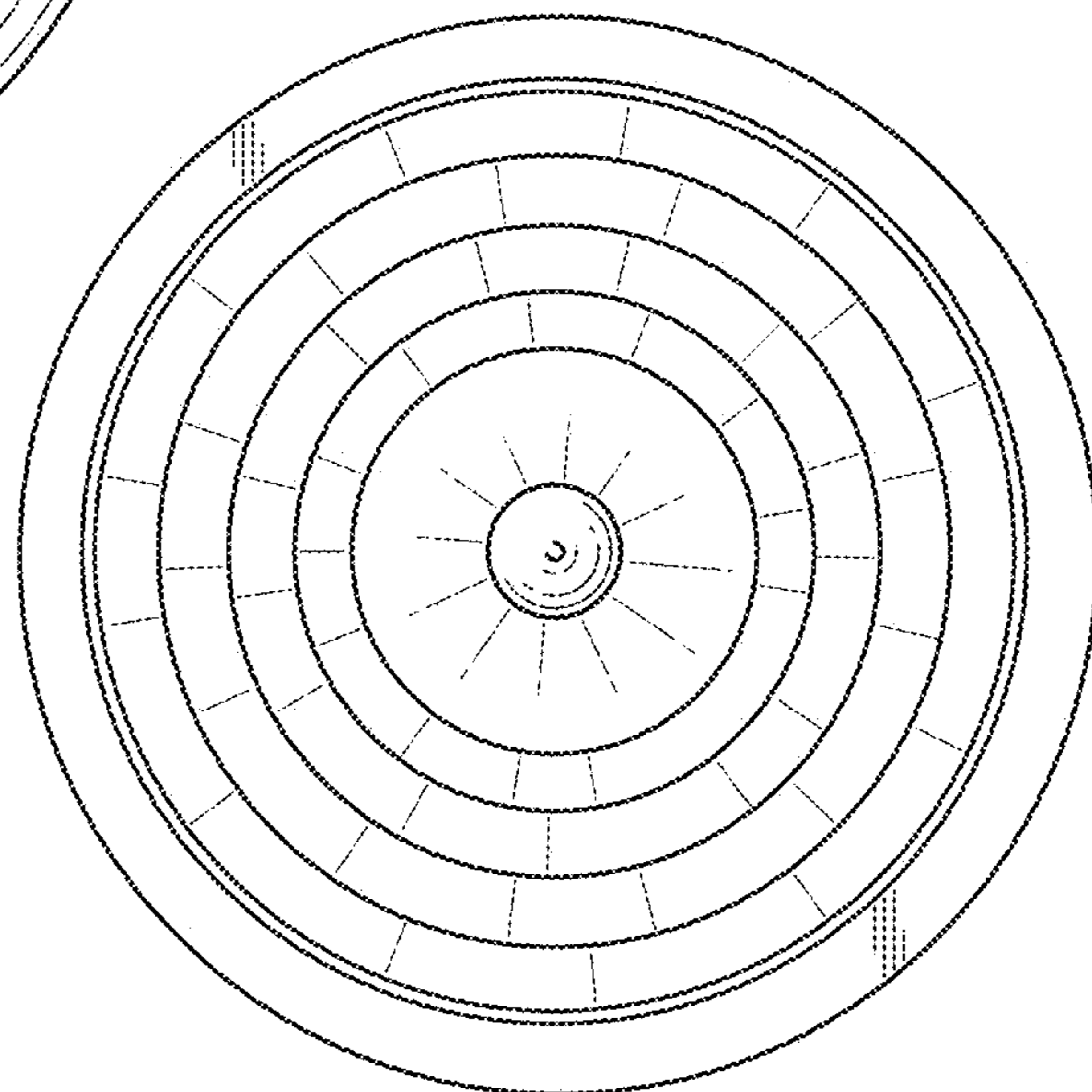


FIG. 5