



US00D974646S

(12) **United States Design Patent** (10) **Patent No.:** **US D974,646 S**  
**Zheng** (45) **Date of Patent:** **\*\* Jan. 3, 2023**

(54) **MOON NIGHT LIGHT**  
(71) Applicant: **Shenzhen Bolong Technology Co. Ltd.**, Shenzhen (CN)  
(72) Inventor: **Huazhu Zheng**, Shenzhen (CN)  
(\*\*) Term: **15 Years**  
(21) Appl. No.: **29/794,679**  
(22) Filed: **Jun. 15, 2021**  
(51) **LOC (14) Cl.** ..... **26-05**  
(52) **U.S. Cl.**  
USPC ..... **D26/104**  
(58) **Field of Classification Search**  
USPC ..... D26/1, 24, 93, 104, 106, 107  
CPC ..... F21L 2/00; F21L 4/00; F21L 4/02; F21L 4/025; F21L 4/027; F21L 14/00; F21S 2/00; F21S 8/03; F21S 8/033; F21S 8/035; F21S 6/002; F21S 6/004; F21S 8/036; F21S 8/037; F21S 9/00; F21S 9/02; F21V 21/10; F21V 21/108; F21W 2121/008  
See application file for complete search history.

(56) **References Cited**  
U.S. PATENT DOCUMENTS  
D393,016 S \* 3/1998 Young ..... D11/131  
D430,336 S \* 8/2000 Lee ..... D26/106  
6,318,010 B1 \* 11/2001 Tsai ..... G09F 19/08  
40/406  
D468,044 S \* 12/2002 Lam ..... D26/104  
D480,497 S \* 10/2003 Lau Ting Yup ..... D26/104  
D752,802 S \* 3/2016 Johnson ..... D26/94  
D848,051 S \* 5/2019 Huang ..... D26/104  
D852,405 S \* 6/2019 Zeng ..... D26/104  
D854,226 S \* 7/2019 Lin ..... D26/104  
D882,856 S \* 4/2020 Feng ..... D26/104  
D896,430 S 9/2020 Kim et al.  
D901,747 S 11/2020 Lin  
D915,663 S \* 4/2021 Feng ..... F21V 3/00  
D26/110

D919,160 S 5/2021 Hubert  
D943,801 S \* 2/2022 Bie ..... G09F 19/08  
D26/94  
2003/0012025 A1\* 1/2003 Christen ..... F21V 3/00  
362/310

FOREIGN PATENT DOCUMENTS  
EM 008577282-0003 \* 6/2021

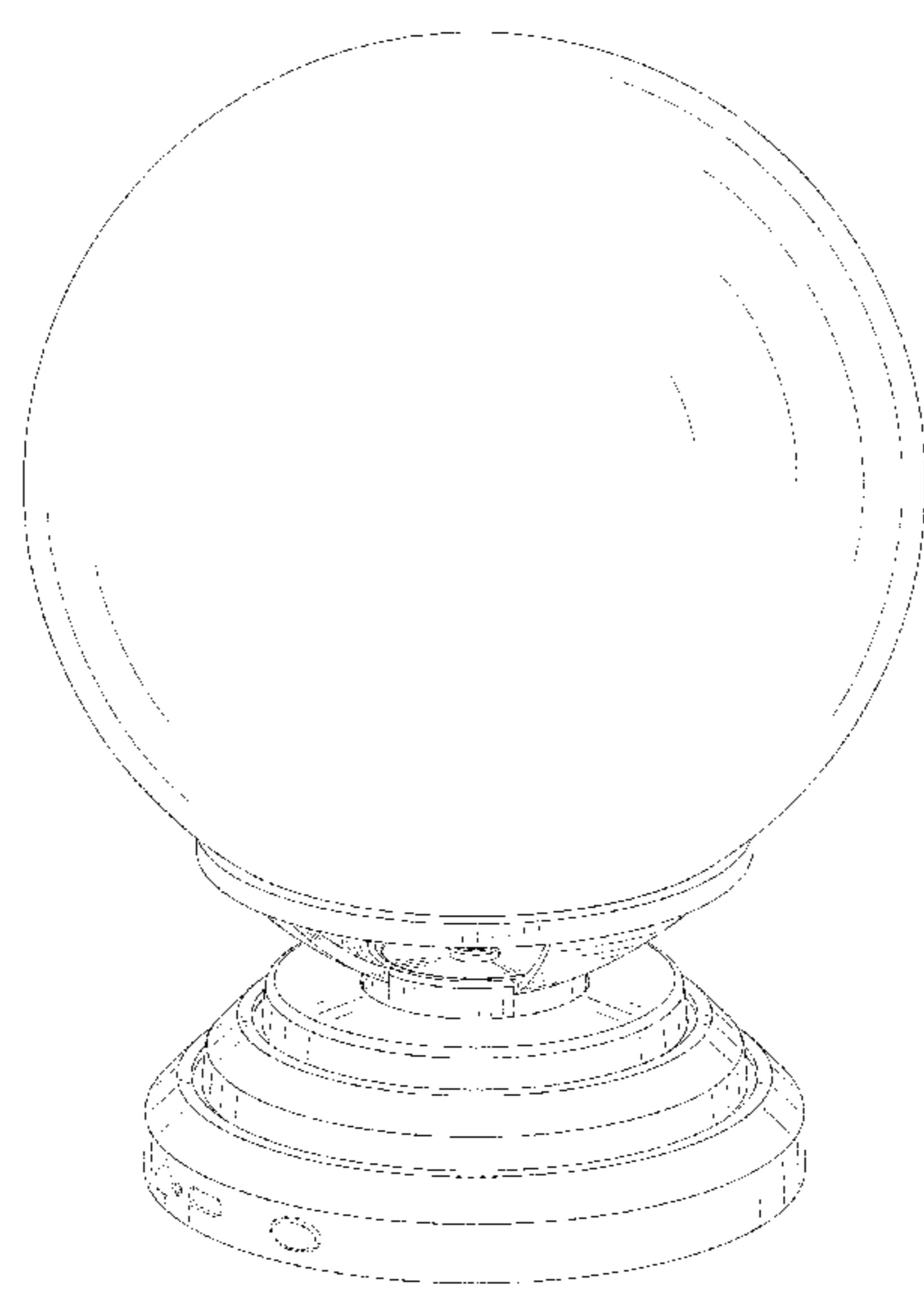
OTHER PUBLICATIONS  
Amazon, "Enhance Kid's Night Light", first available Jul. 28, 2015. (<https://www.amazon.com/dp/B012U2L6AI/?th=1>) (Year: 2015).\*  
Amazon, "Stemclas Plasma Ball", first available Oct. 14, 2020. (<https://www.amazon.com/dp/B08L5Z2Q49/>) (Year: 2020).\*  
(Continued)

*Primary Examiner* — Lauren D McVey  
*Assistant Examiner* — Justin A Johnson  
(74) *Attorney, Agent, or Firm* — Rumit Ranjit Kanakia

(57) **CLAIM**  
The ornamental design for a moon night light, as shown and described.

**DESCRIPTION**  
FIG. 1 is a first perspective view of a moon night light showing my new design;  
FIG. 2 is a second perspective view thereof;  
FIG. 3 is a front view thereof;  
FIG. 4 is a back view thereof;  
FIG. 5 is a left side view thereof;  
FIG. 6 is a right side view thereof;  
FIG. 7 is a top view thereof; and,  
FIG. 8 is a bottom view thereof.  
The broken lines shown in the drawings depict portions of the moon night light in which the design is embodied that form no part of the claimed design.

**1 Claim, 8 Drawing Sheets**



(56)

**References Cited**

OTHER PUBLICATIONS

Amazon, "Ausyle Moon Lamp", first available May 11, 2021.

(<https://www.amazon.com/dp/B094MWG9KR/>) (Year: 2021).\*

Amazon, "Elec3 Moon Lamp", first available Oct. 9, 2021. (<https://www.amazon.com/Bluetooth-Speaker-Control-360%C2%B0Rotation-Rechargeable/dp/B09J21C65M>) (Year: 2021).\*

\* cited by examiner

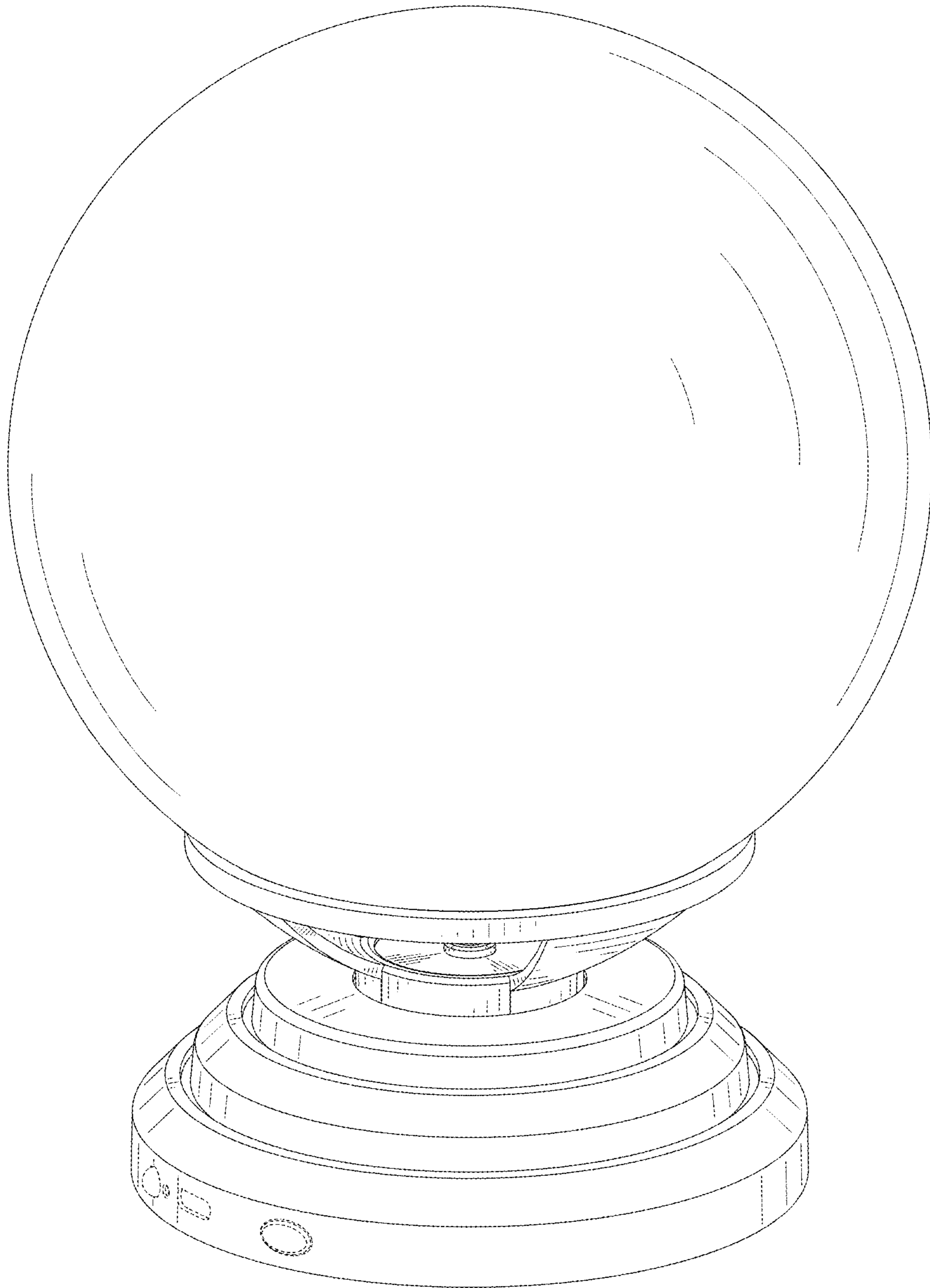


FIG. 1

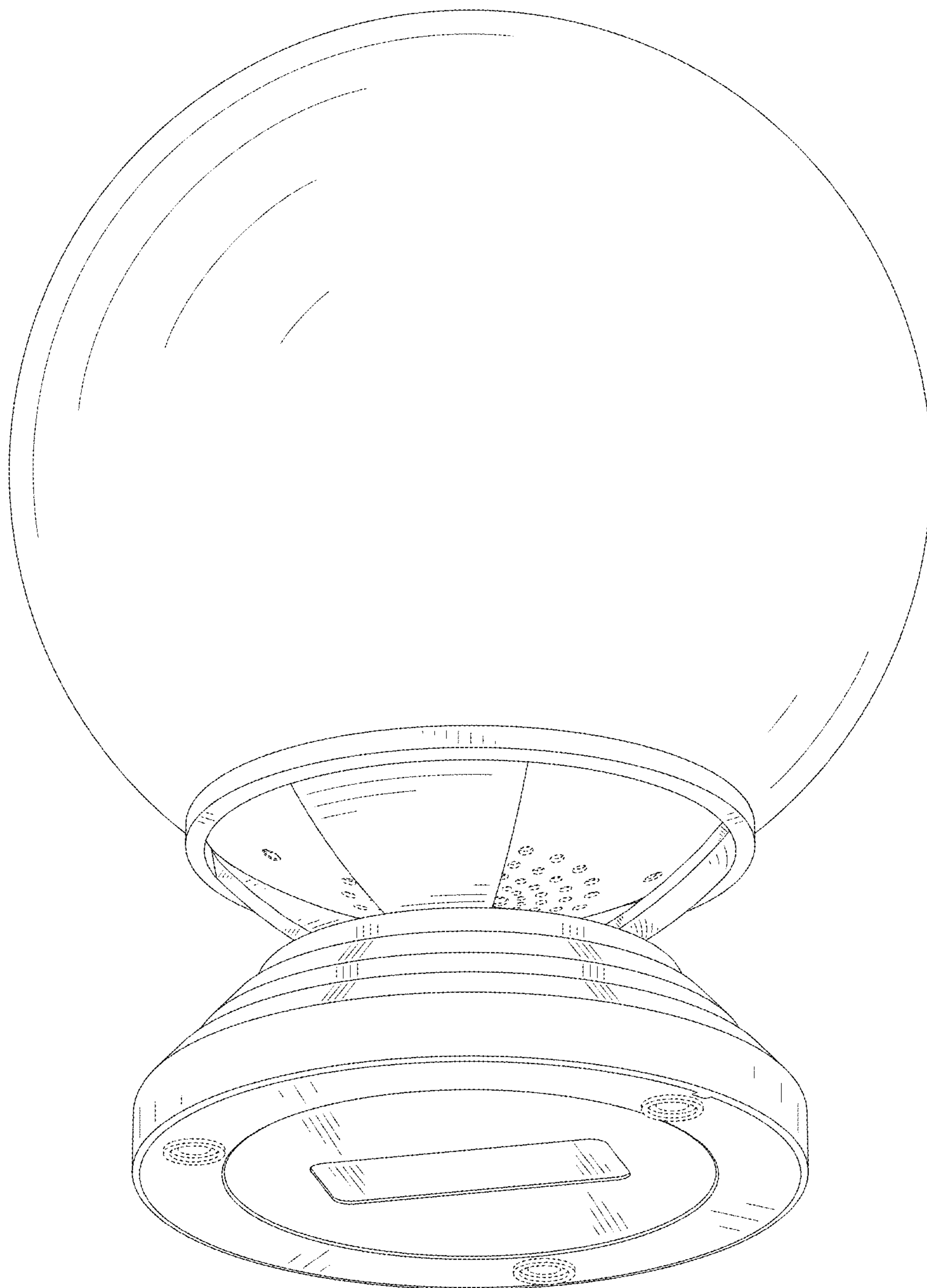


FIG. 2

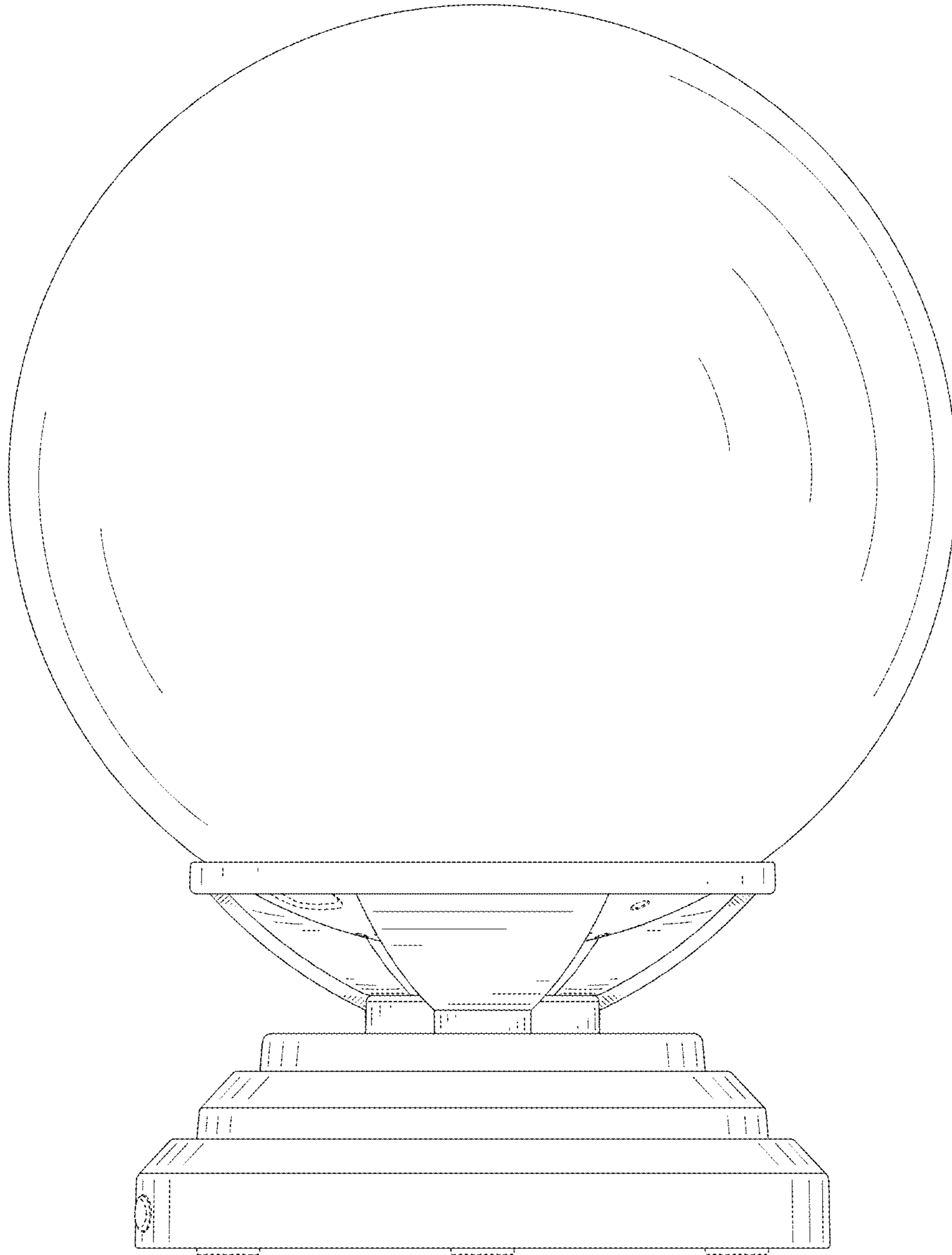


FIG. 3

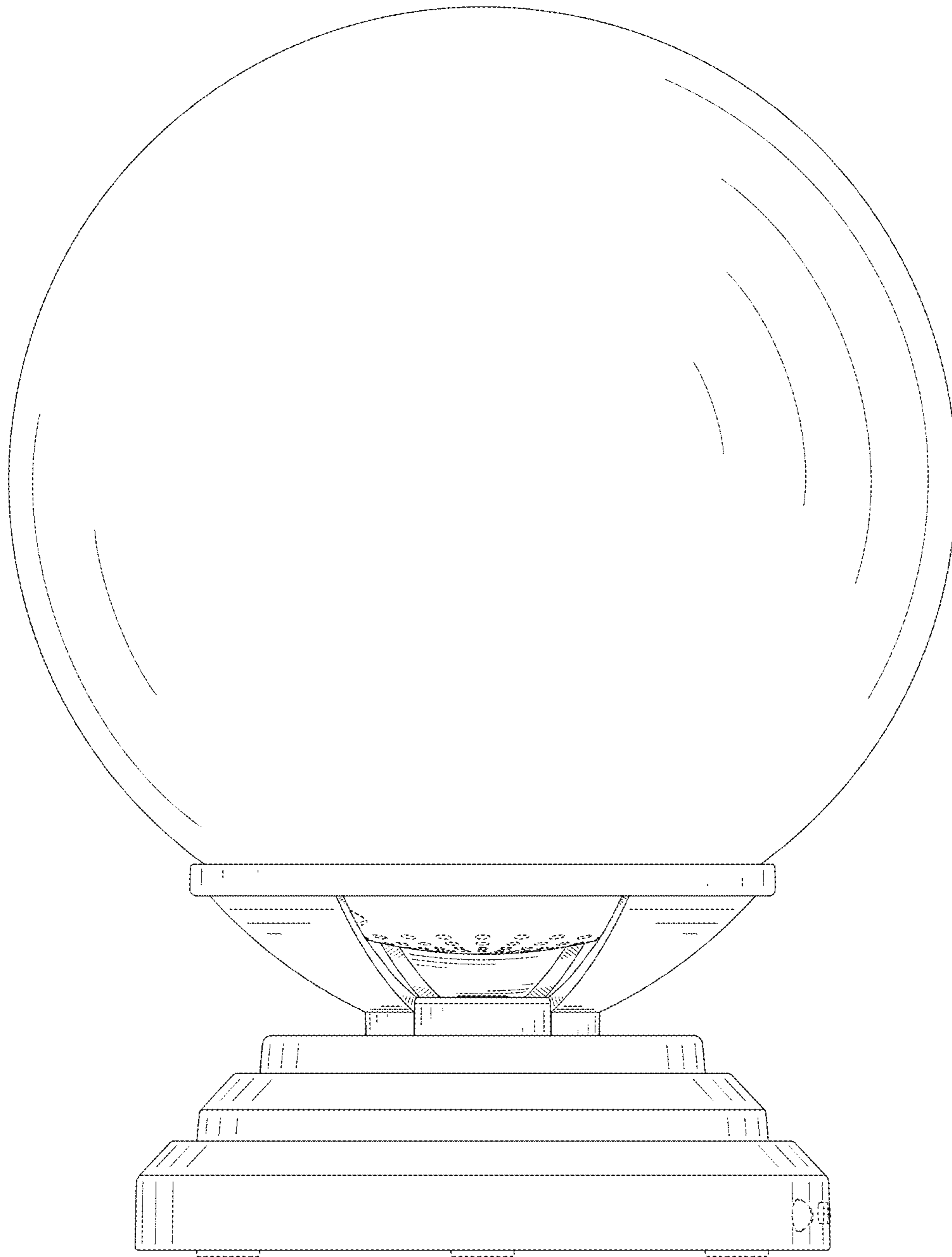


FIG. 4



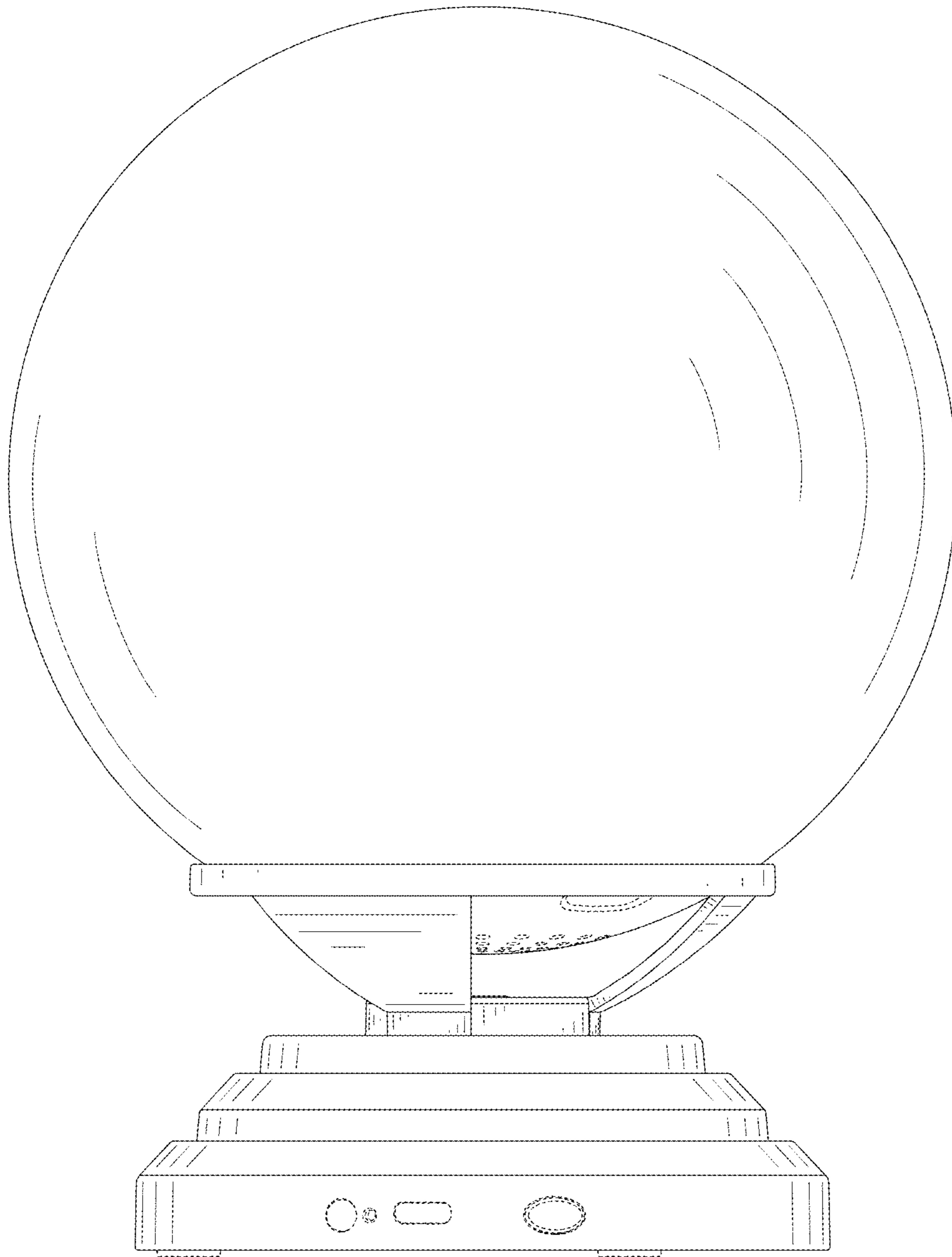


FIG. 5

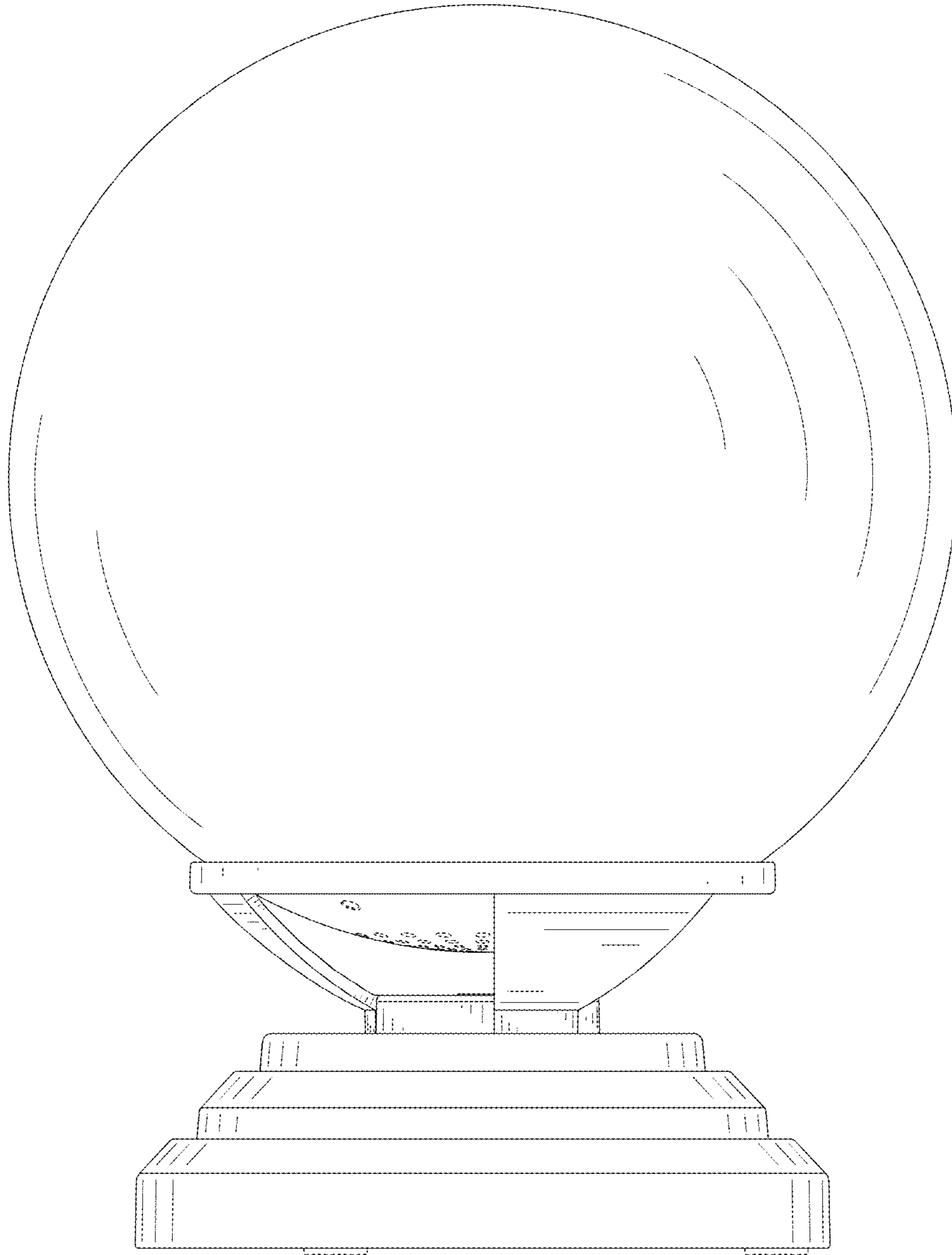


FIG. 6



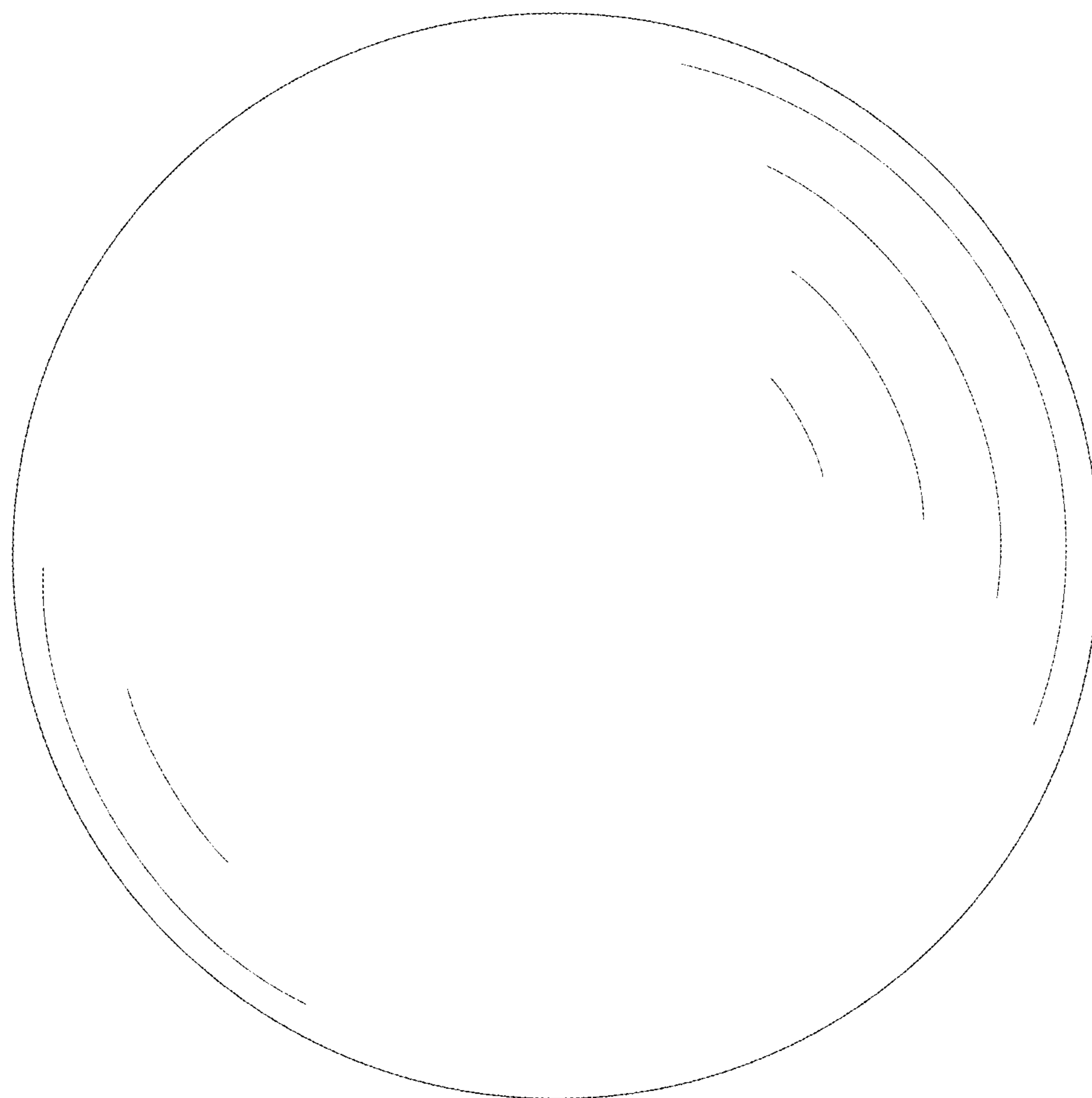


FIG. 7

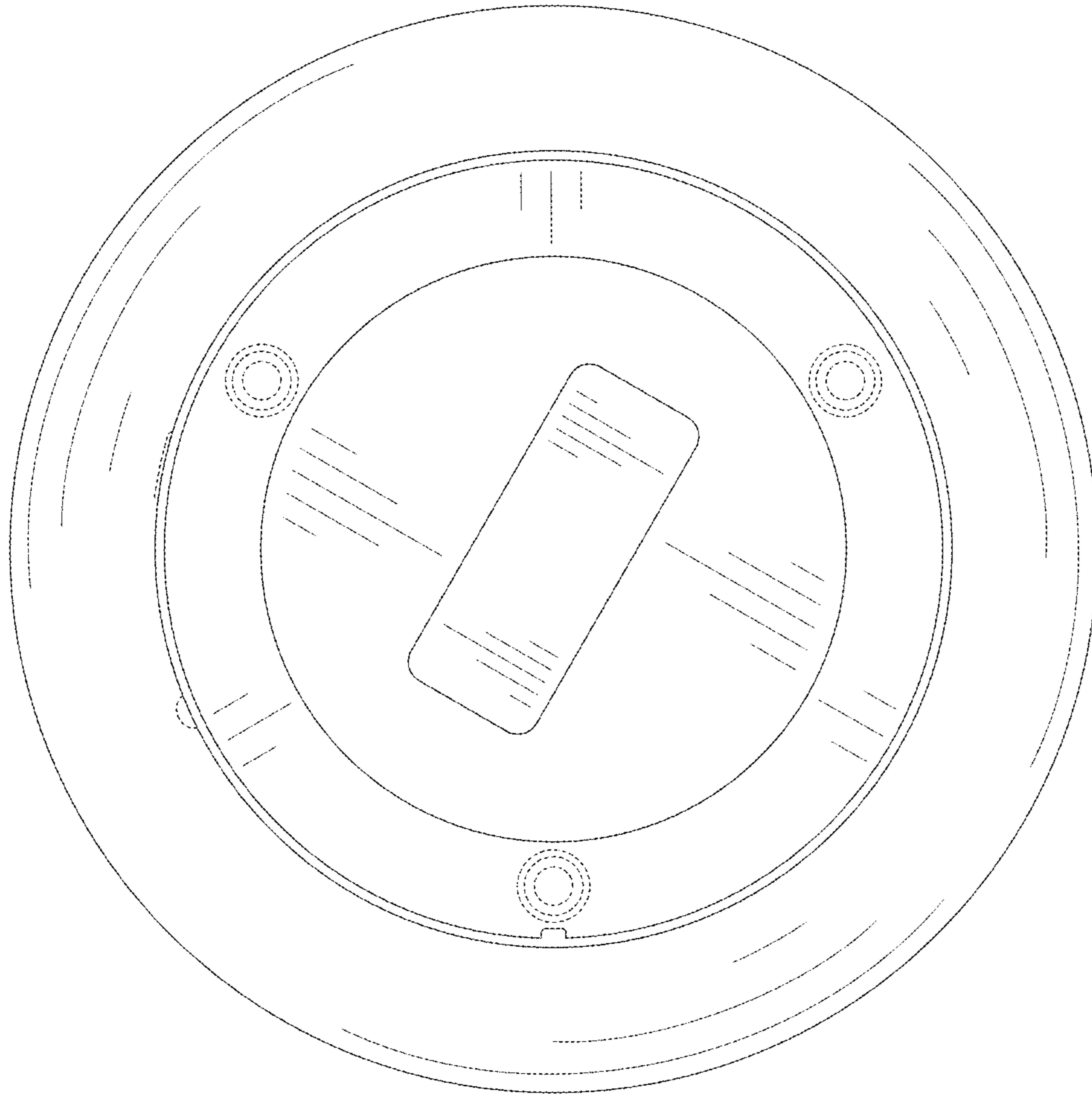


FIG. 8