

US00D974641S

(12) **United States Design Patent**
Xu

(10) **Patent No.:** **US D974,641 S**
(45) **Date of Patent:** **** Jan. 3, 2023**

(54) **FOLDABLE FILL LIGHT**
(71) Applicant: **Yanchuan Xu**, Honghu (CN)
(72) Inventor: **Yanchuan Xu**, Honghu (CN)
(**) Term: **15 Years**

D881,371 S * 4/2020 Hollinger D23/382
D892,199 S 8/2020 Peng
D905,843 S * 12/2020 Chen D23/382
D916,355 S * 4/2021 Sánchez González D26/93
D925,087 S * 7/2021 Chen D26/65
D929,027 S * 8/2021 Zhu D26/107
(Continued)

(21) Appl. No.: **29/822,227**
(22) Filed: **Jan. 6, 2022**
(51) **LOC (14) Cl.** **26-05**
(52) **U.S. Cl.**
USPC **D26/93; D26/63; D6/308**
(58) **Field of Classification Search**
USPC D26/24, 60, 61, 63, 64, 65, 66, 93, 104,
D26/106, 107, 108, 110; D16/237, 239,
D16/240; D6/308, 309, 310, 312
CPC F21S 9/00; F21S 9/02; F21S 6/00; F21S
6/002; F21S 6/003; F21S 6/006; F21S
6/008; F21S 13/00; F21S 13/12; G03B
15/05; G03B 15/02; G03B 15/04
See application file for complete search history.

OTHER PUBLICATIONS

Adjustable 10 Inches Ring Light, posted at Amazon, date first available Mar. 14, 2021. Site visited Aug. 29, 2022. Available from internet, URL: <https://www.amazon.com/JDFS-Foldable-Travel-Android-YouTube/dp/B08YWVHZZH?th=1> (Year: 2021).*
(Continued)

Primary Examiner — Kathleen L Jones
Assistant Examiner — Vanessa Martinez

(57) **CLAIM**
The ornamental design for a foldable fill light, as shown and described.

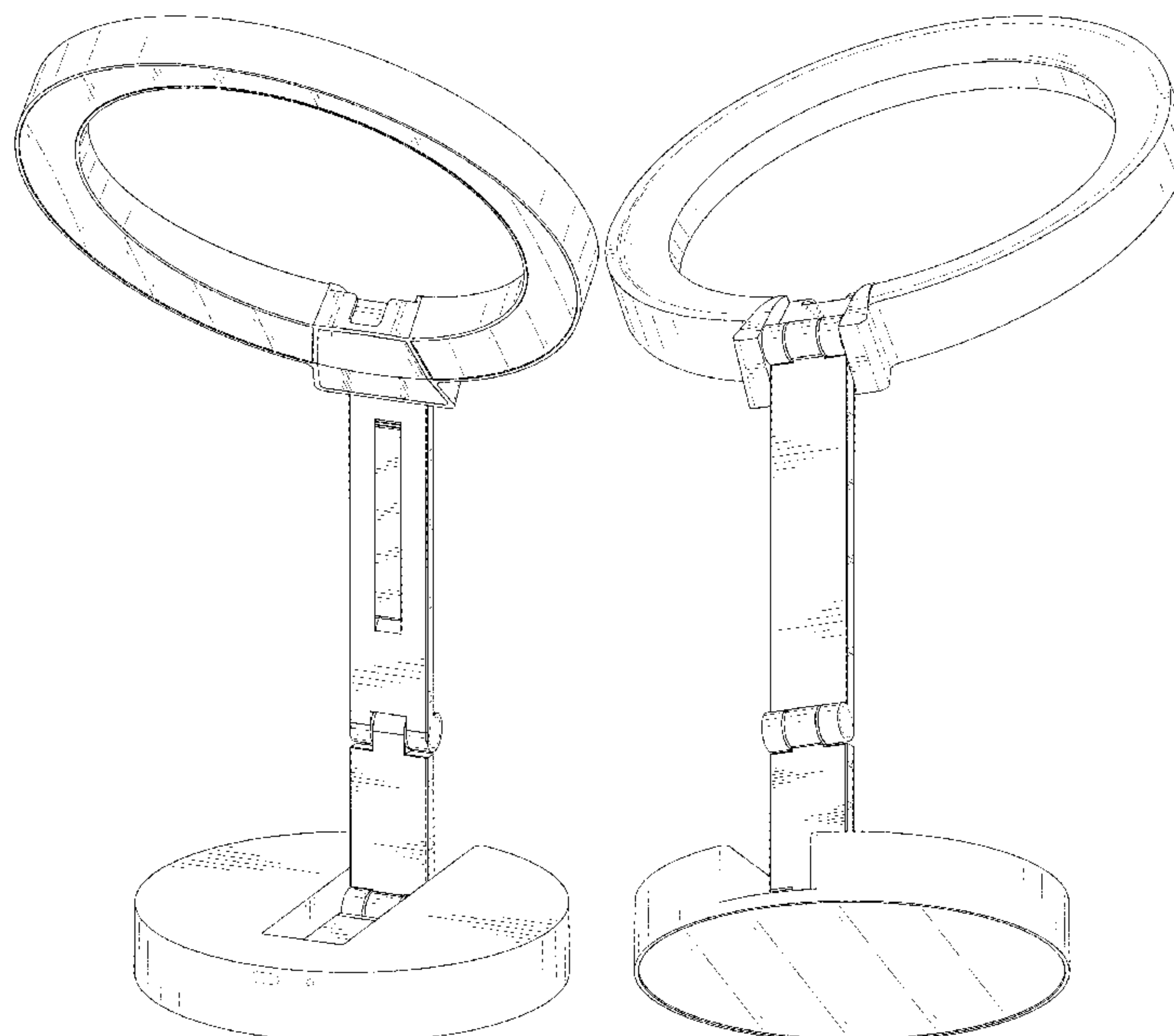
DESCRIPTION

FIG. 1 is a perspective view of a foldable fill light showing my new design;
FIG. 2 is another perspective view thereof;
FIG. 3 is a front elevational view thereof;
FIG. 4 is a rear elevational view thereof;
FIG. 5 is a left side elevational view thereof;
FIG. 6 is a right side elevational view thereof;
FIG. 7 is a top plan view thereof;
FIG. 8 is a bottom plan view thereof;
FIG. 9 is a perspective view of the foldable fill light where the foldable fill light is in a first configuration of use; and, FIG. 10 is a perspective view of the foldable fill light where the foldable fill light is in a second configuration of use. The broken lines in the drawings depict portions of the foldable fill light that form no part of the claimed design.

(56) **References Cited**
U.S. PATENT DOCUMENTS

D209,077 S * 10/1967 Andre D26/56
D269,297 S * 6/1983 Lebowitz D26/65
D507,372 S * 7/2005 Lu D26/62
D509,618 S * 9/2005 Baarman D26/106
D549,968 S * 9/2007 Pitot D6/312
D589,645 S * 3/2009 Citterio D26/107
D709,235 S * 7/2014 Chu D26/65
D716,993 S * 11/2014 Rashid D26/93
D776,336 S * 1/2017 Ng D26/107
D831,878 S * 10/2018 Reybier D26/93
D854,227 S * 7/2019 Yu D26/106
D855,871 S * 8/2019 Ma D26/107
D871,648 S * 12/2019 Tong D26/107
D873,328 S * 1/2020 Shen D26/113

1 Claim, 10 Drawing Sheets



(56)

References Cited

U.S. PATENT DOCUMENTS

D936,886 S * 11/2021 Chen D26/65
D945,171 S * 3/2022 Liu D6/309
D948,104 S * 4/2022 Gu D26/107
D949,581 S * 4/2022 Yu D6/309
2017/0118385 A1 * 4/2017 Vargas G03B 17/561

OTHER PUBLICATIONS

Phonix, posted at Amazon, date first available Dec. 15, 2020. Site visited Aug. 29, 2022. Available from internet, URL: <https://www.amazon.com/Streaming-Dimmable-Photography-Shooting-Brightness/dp/B08MJF2HKN> (Year: 2020).*

* cited by examiner

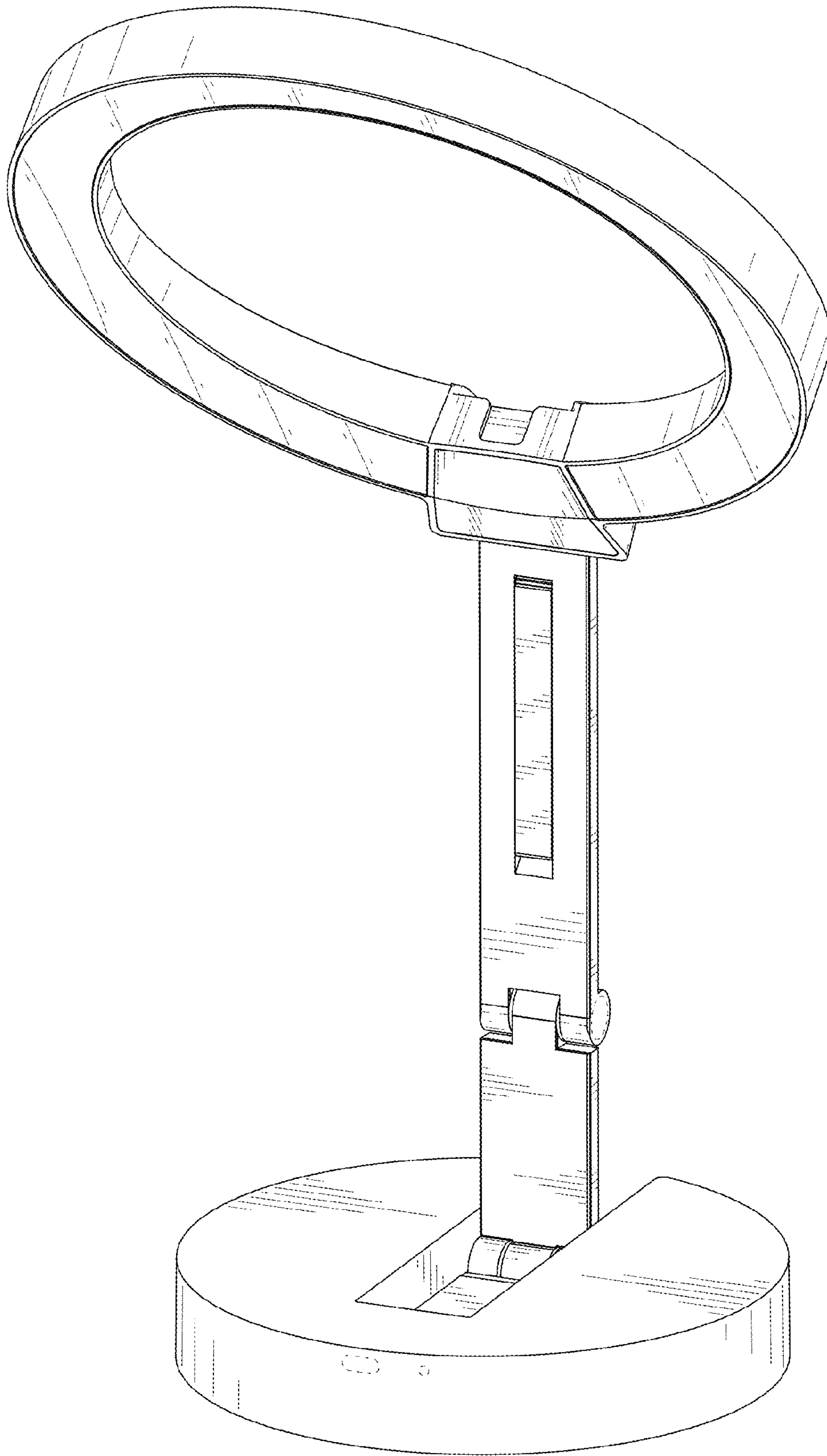


FIG. 1

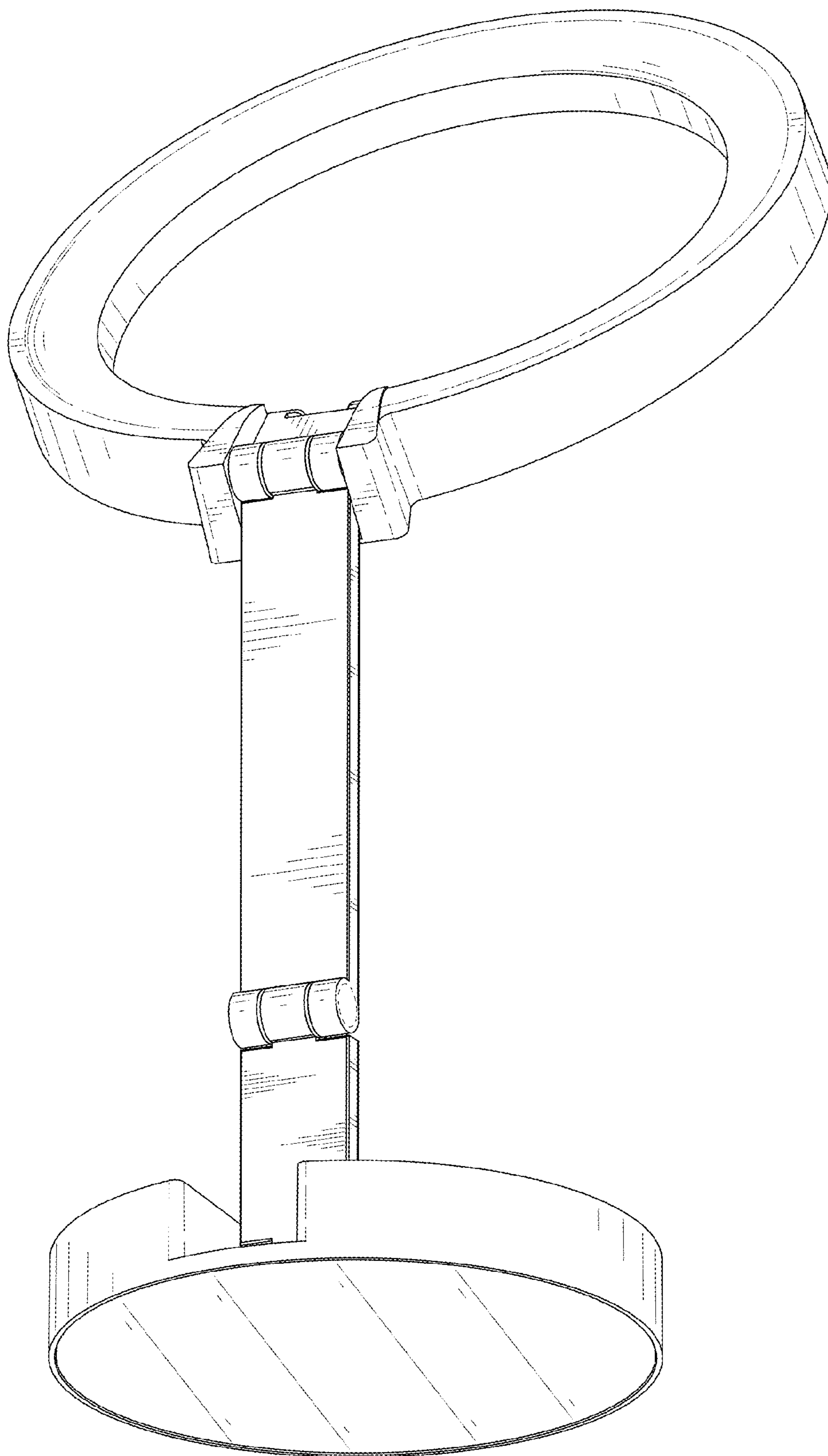


FIG. 2

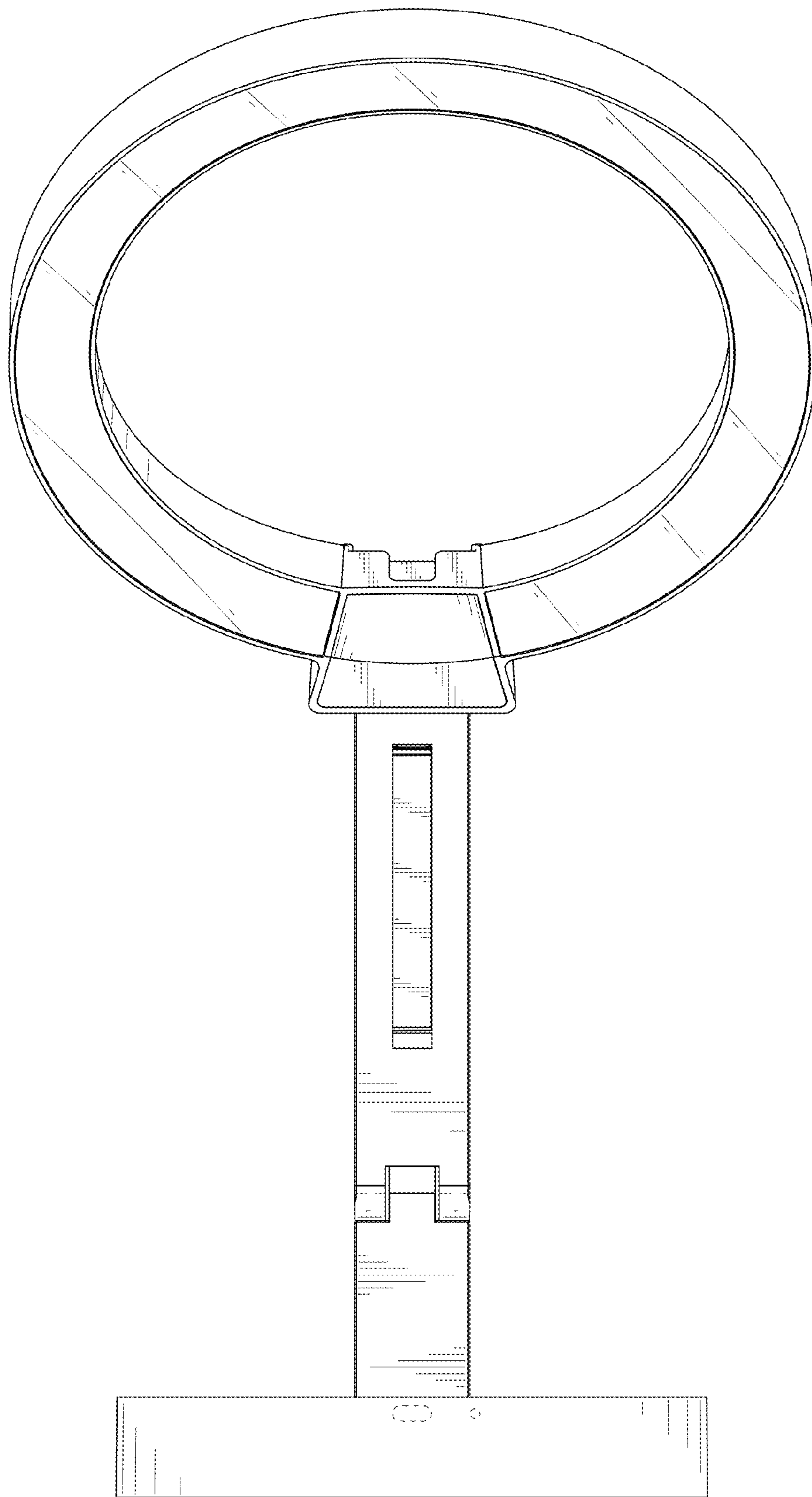


FIG. 3

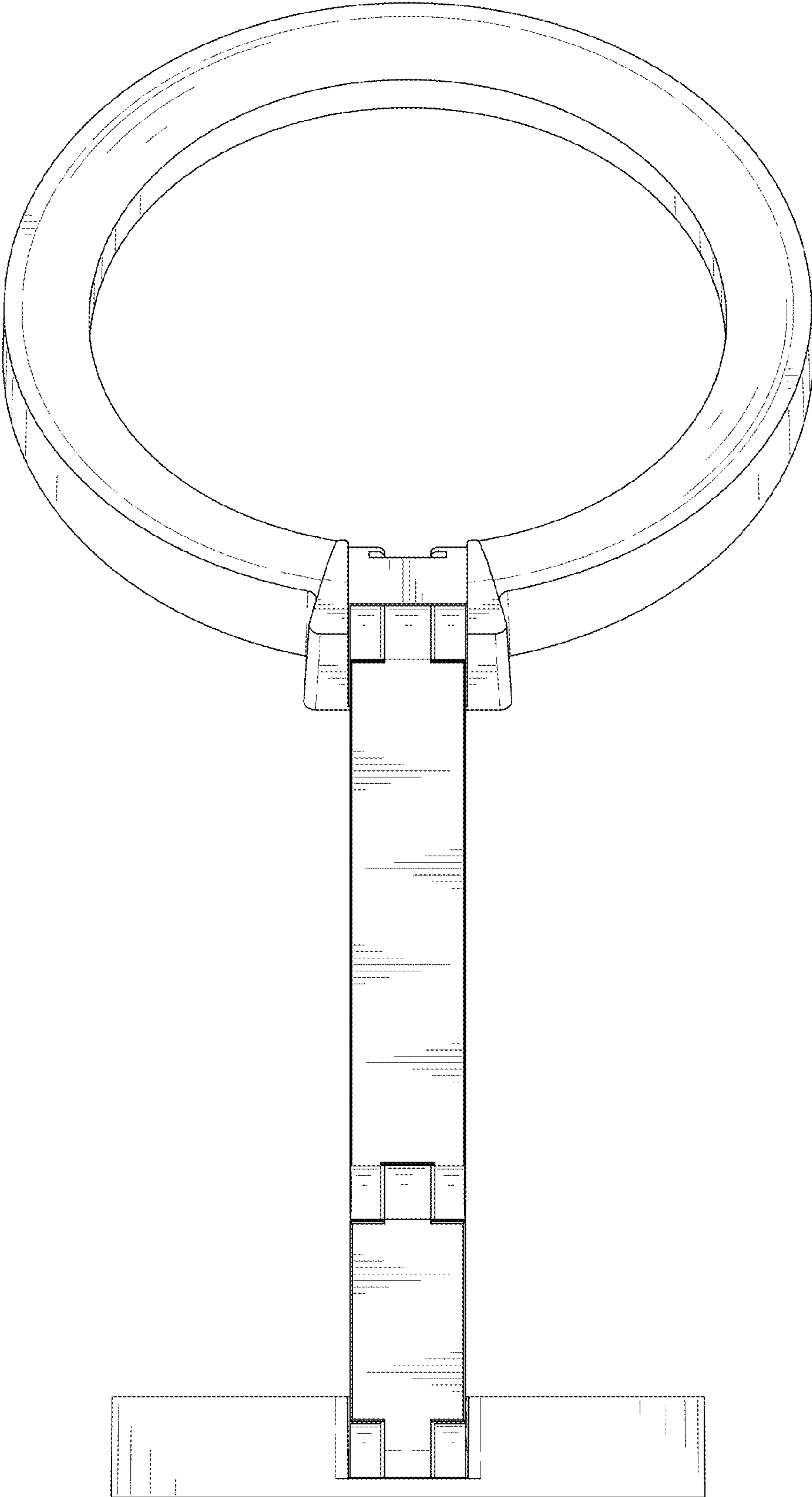


FIG. 4

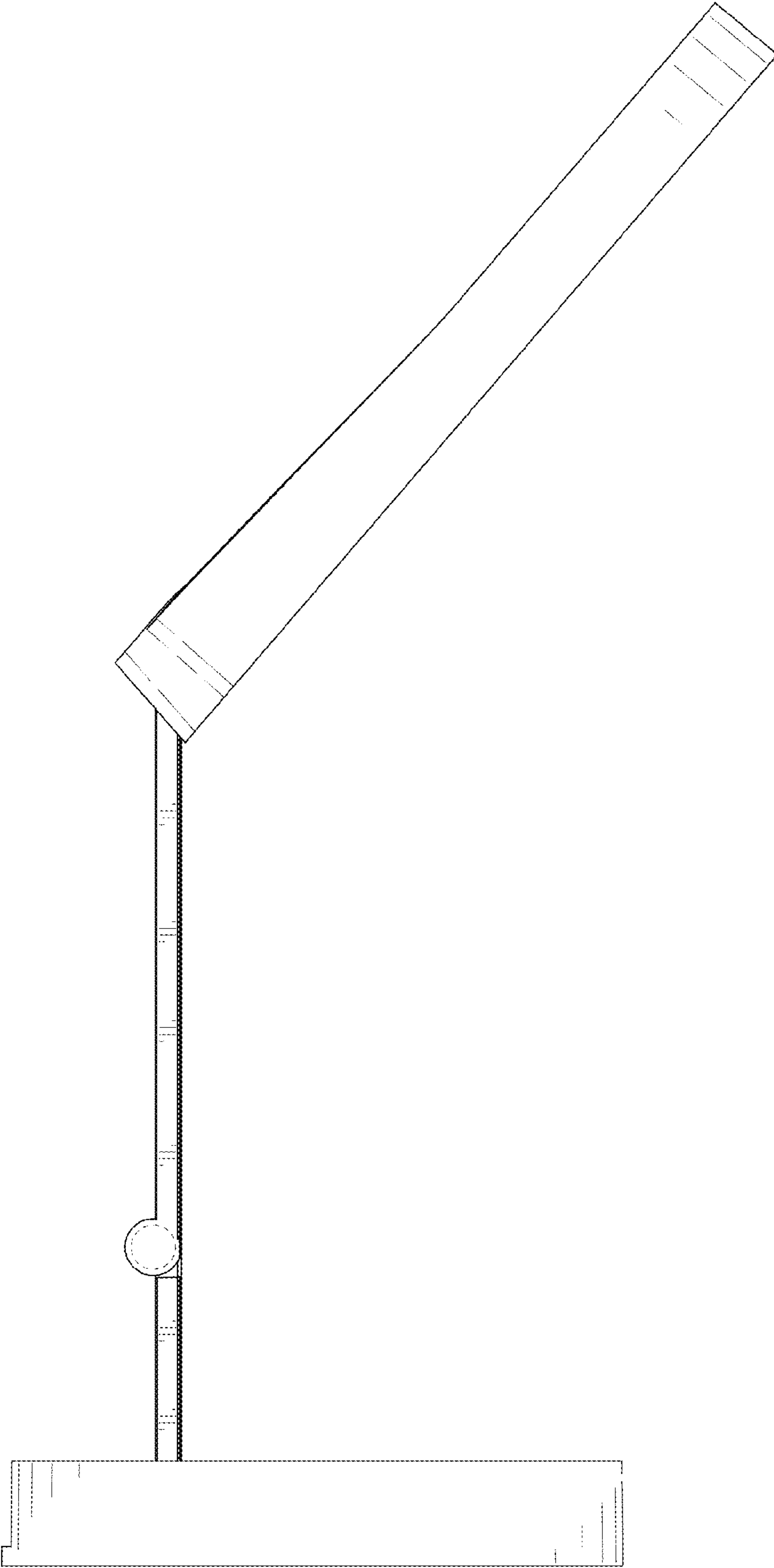


FIG. 5

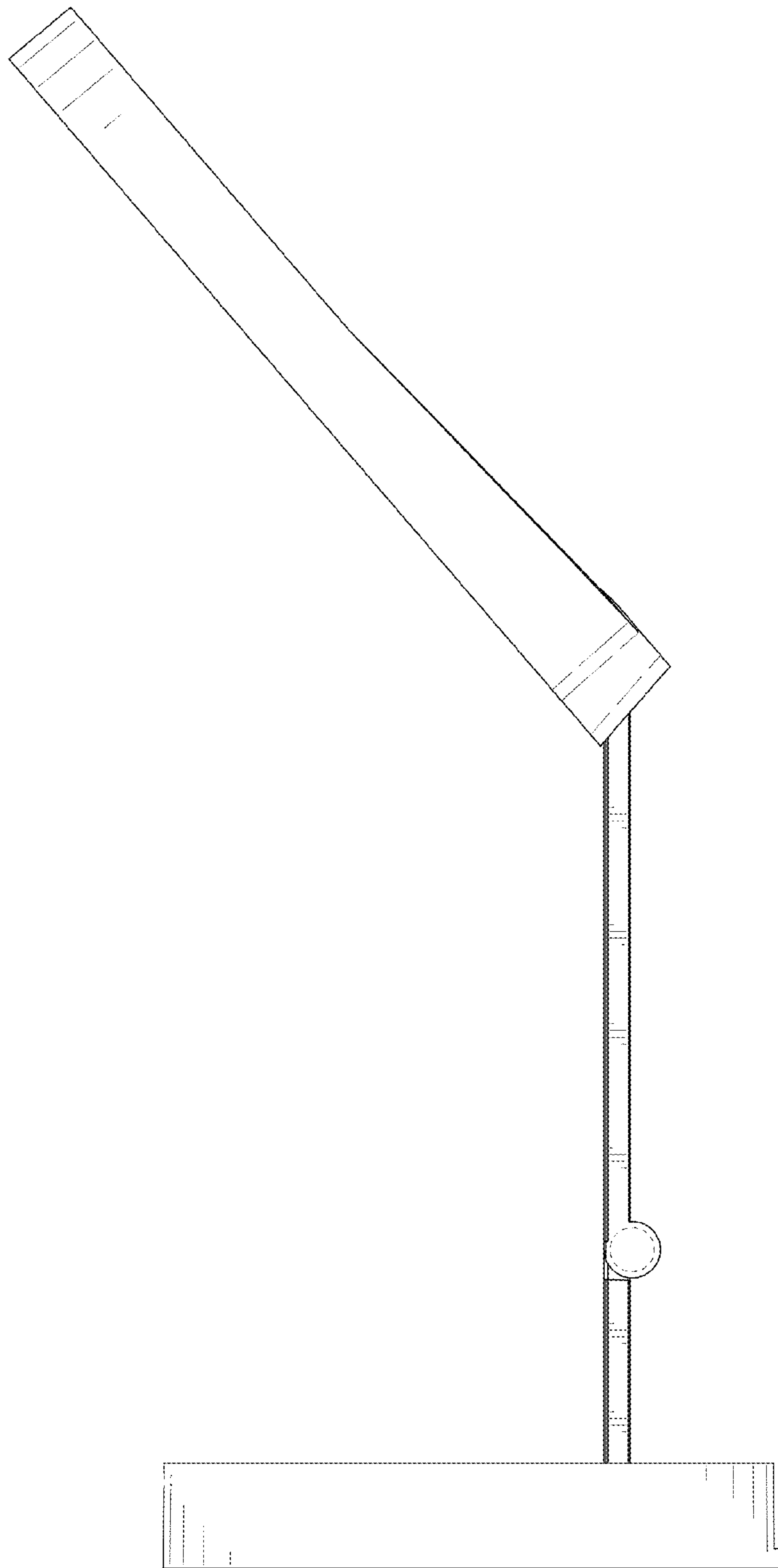


FIG. 6

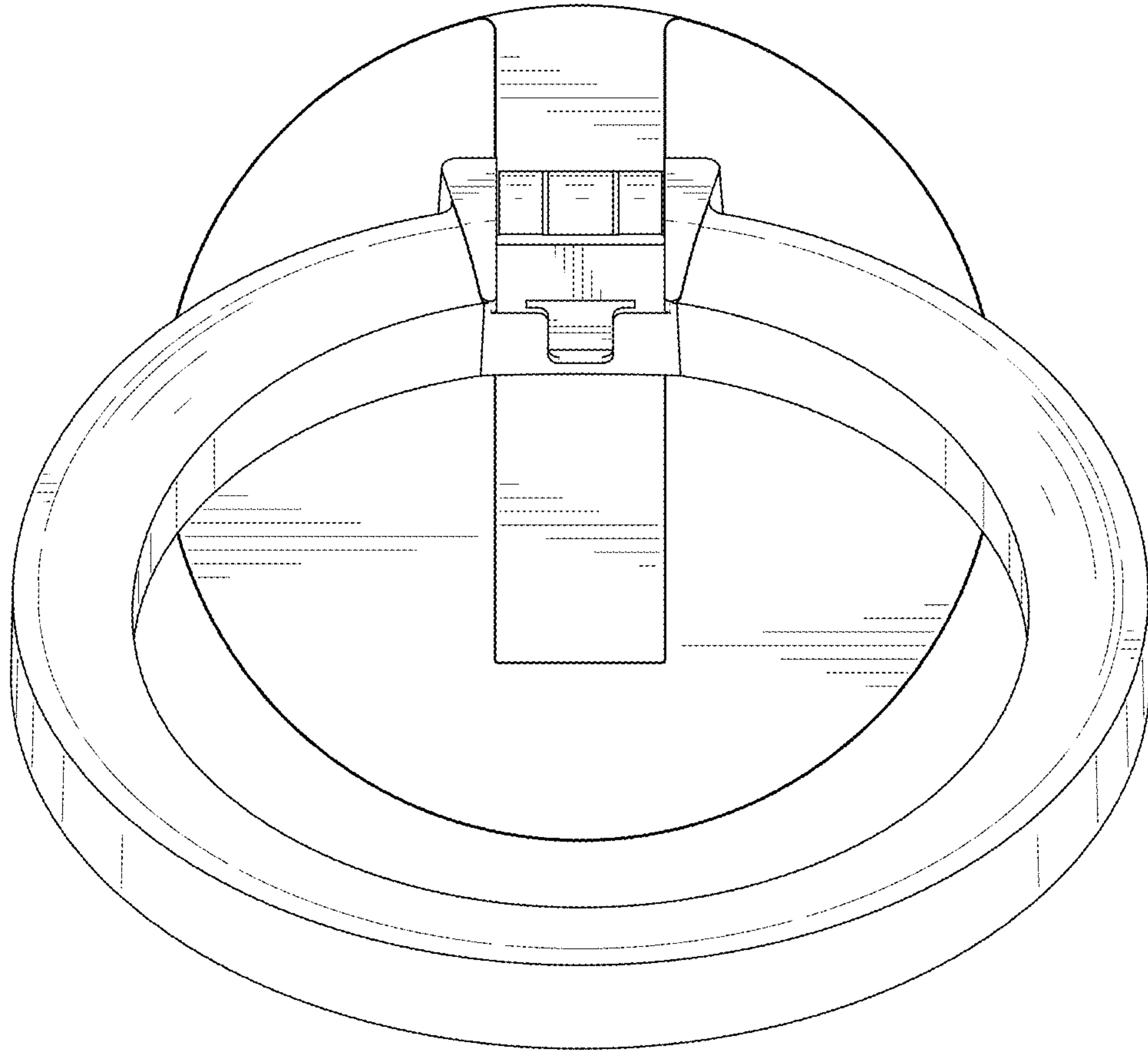


FIG. 7

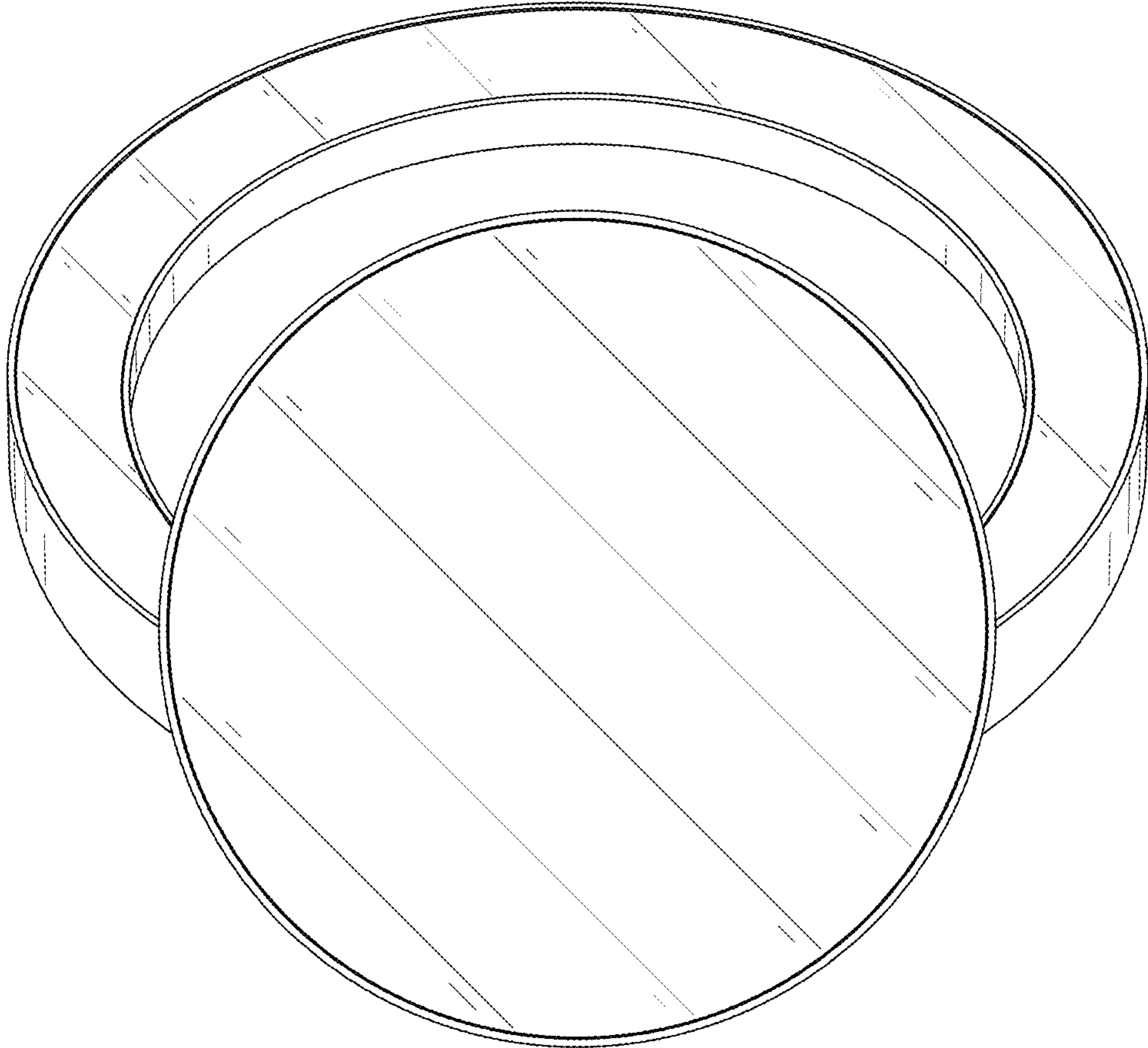


FIG. 8

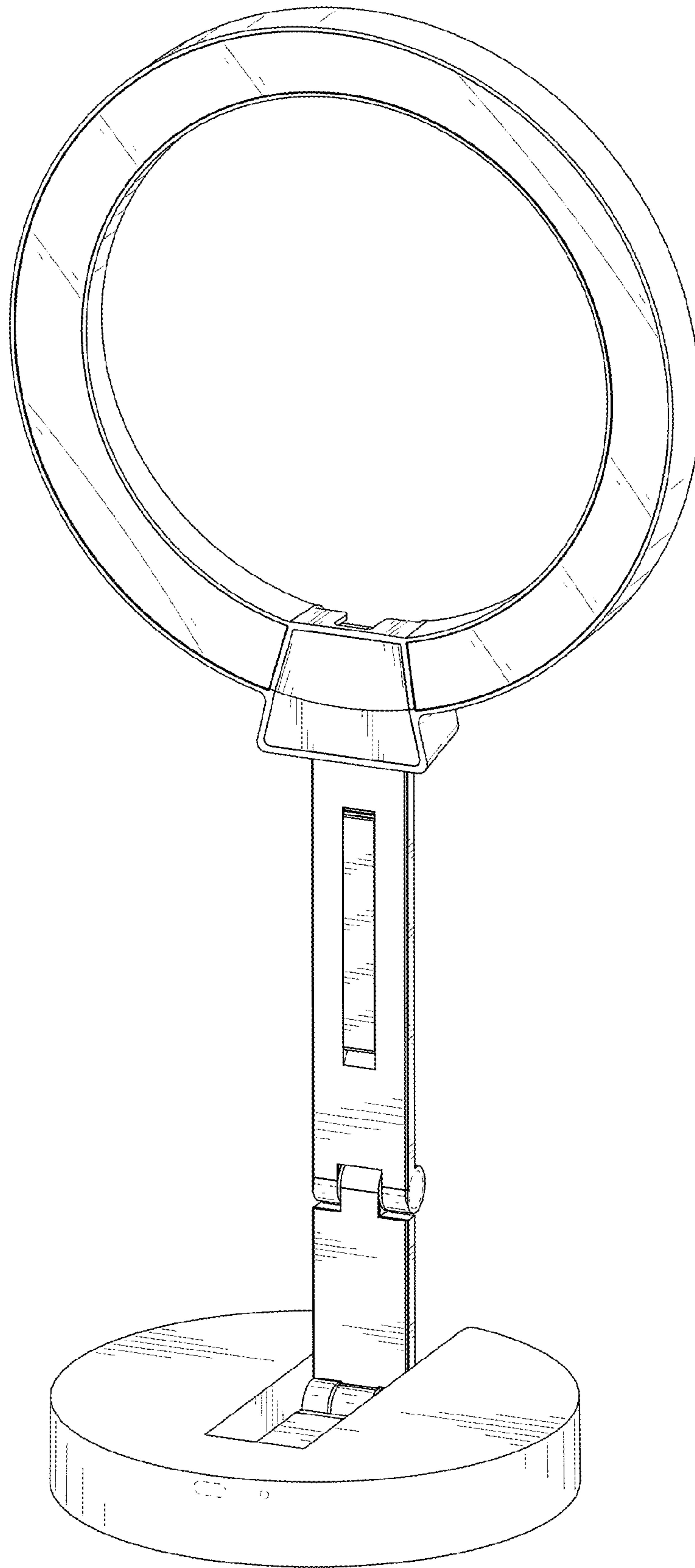


FIG. 9

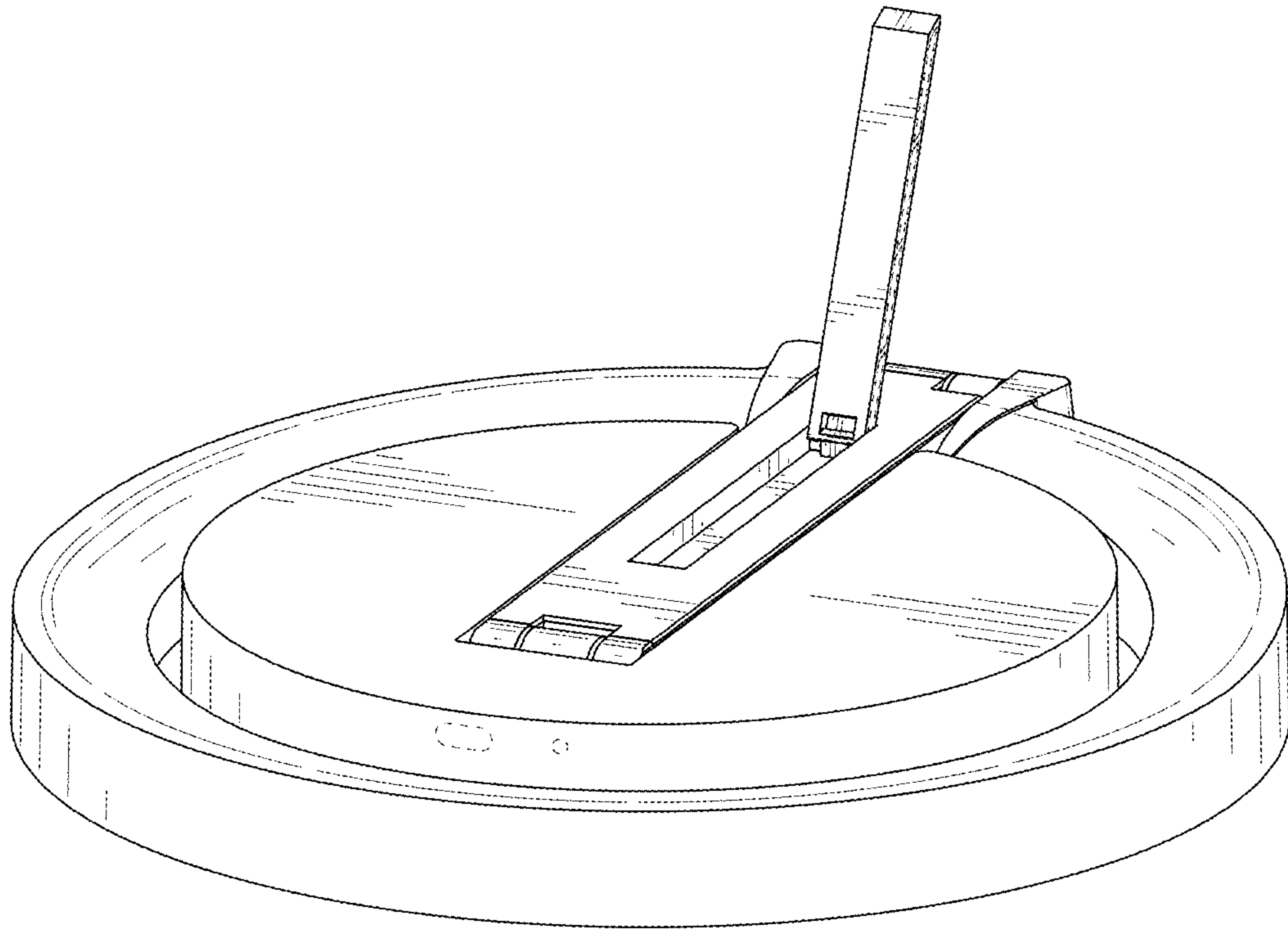


FIG. 10