



US00D974640S

(12) **United States Design Patent** (10) **Patent No.:** **US D974,640 S**  
**Tian** (45) **Date of Patent:** **\*\* Jan. 3, 2023**

(54) **PROJECTION LAMP**  
(71) Applicant: **SHENZHEN PAWEIER ELECTRONIC COMMERCE CO., LTD.**, Shenzhen (CN)

D854,226 S 7/2019 Lin  
D861,967 S 10/2019 Lin  
D867,651 S 11/2019 Altamura  
D901,065 S 11/2020 Wang  
D901,908 S \* 11/2020 Zhao ..... D6/309  
D916,354 S \* 4/2021 Sánchez González ..... D26/93  
D931,515 S \* 9/2021 Zhang ..... D26/63  
D944,442 S \* 2/2022 Chen ..... D26/93  
D946,199 S \* 3/2022 Cai ..... D26/93

(72) Inventor: **Gege Tian**, Shenzhen (CN)  
(\*\*) Term: **15 Years**

**FOREIGN PATENT DOCUMENTS**

(21) Appl. No.: **29/776,110**

CN 306724344 \* 7/2021

(22) Filed: **Mar. 28, 2021**

**OTHER PUBLICATIONS**

(51) **LOC (14) Cl.** ..... **26-05**

(52) **U.S. Cl.**  
USPC ..... **D26/93**

Amazon, "SOLLA Sunset Projection RGB lamp", first available Apr. 27, 2021. (<https://www.amazon.com/dp/B093L82CXK/?th=1>) (Year: 2021).\*

(58) **Field of Classification Search**  
USPC ..... D26/1, 24, 93, 104  
CPC ..... F21L 2/00; F21L 4/00; F21L 4/02; F21L 4/025; F21L 4/027; F21L 14/00; F21S 2/00; F21S 8/03; F21S 8/033; F21S 6/00; F21S 6/002; F21S 6/004; F21S 8/036; F21S 8/037; F21S 9/00; F21S 9/02; F21V 21/10; F21V 21/108; F21W 2121/008  
See application file for complete search history.

(Continued)

*Primary Examiner* — Lauren D McVey  
*Assistant Examiner* — Justin A Johnson

(57) **CLAIM**

The ornamental design for a projection lamp, as shown and described.

(56) **References Cited**

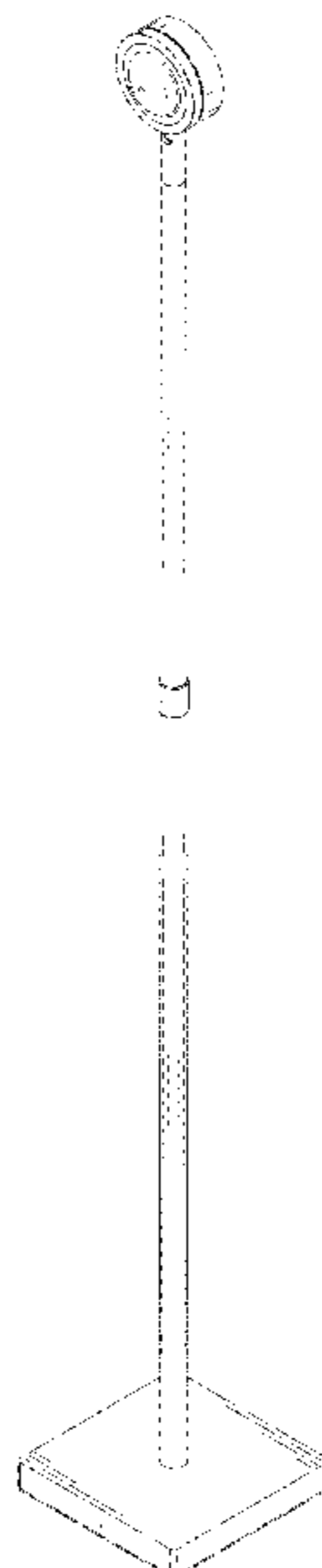
**DESCRIPTION**

**U.S. PATENT DOCUMENTS**

D485,929 S \* 1/2004 Cvek ..... D26/65  
7,048,406 B1 \* 5/2006 Shih ..... A45D 42/10  
362/135  
D557,449 S \* 12/2007 Chow ..... D26/93  
D589,206 S \* 3/2009 Sabernig ..... D26/93  
D624,689 S \* 9/2010 Kao ..... D26/69  
D645,198 S \* 9/2011 Waldmann ..... D26/93  
D797,975 S \* 9/2017 Lentine ..... D26/63  
9,752,761 B2 \* 9/2017 Lentine ..... F21S 10/007  
D820,490 S 6/2018 Altamura et al.  
D838,890 S 1/2019 Xiong  
D841,210 S 2/2019 Ye et al.  
D846,784 S 4/2019 Luo

FIG. 1 is a front, right side, top perspective view of a projection lamp showing my new design;  
FIG. 2 is a front elevational view thereof;  
FIG. 3 is a rear elevational view thereof;  
FIG. 4 is a left side elevational view thereof;  
FIG. 5 is a right side elevational view thereof;  
FIG. 6 is a top plan view thereof; and,  
FIG. 7 is a bottom plan view thereof.  
The broken lines depict portions of the projection lamp that form no part of the claimed design.

**1 Claim, 7 Drawing Sheets**



(56)

**References Cited**

OTHER PUBLICATIONS

Amazon, "Generic Sunset Lamp", first available Oct. 7, 2021.

(<https://www.amazon.com/dp/B09H7642KZ/>) (Year: 2021).\*

Amazon, "LYJYY Sunset Lamp Projector", first available Jun. 13, 2021. (<https://www.amazon.com/dp/B096B5SRM6/?th=1>) (Year: 2021).\*

Amazon, "Guteauto Sunset Lamp", first available May 6, 2021. (<https://www.amazon.com/dp/B09499SGGC/>) (Year: 2021).\*

\* cited by examiner

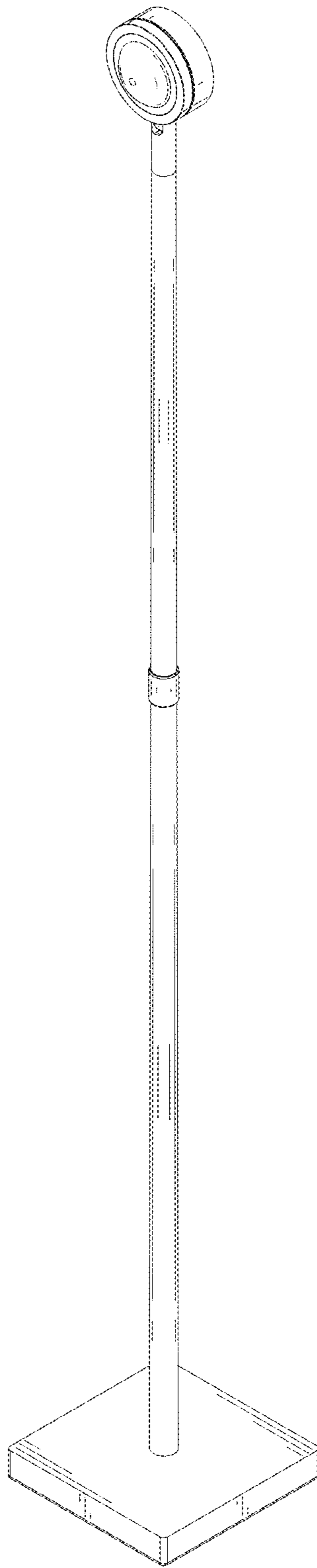


FIG.1

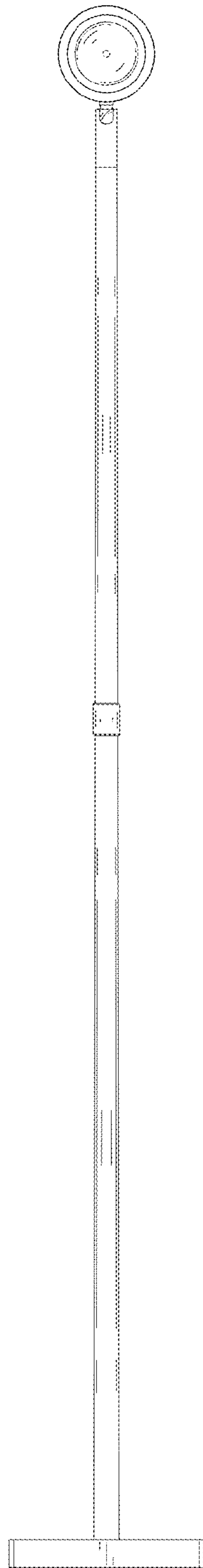


FIG. 2

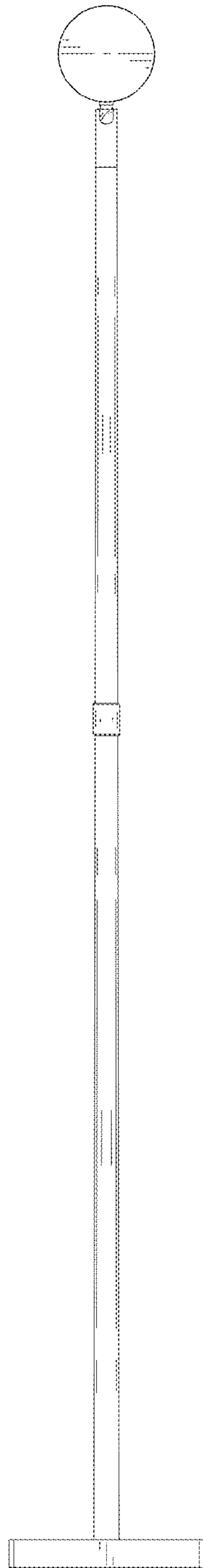


FIG. 3

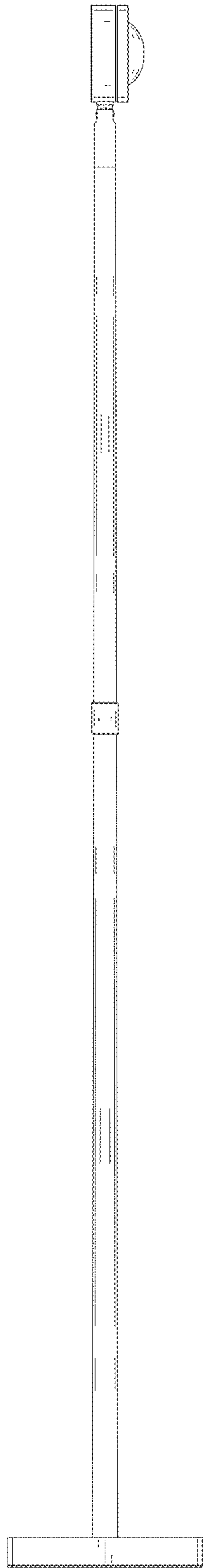


FIG. 4

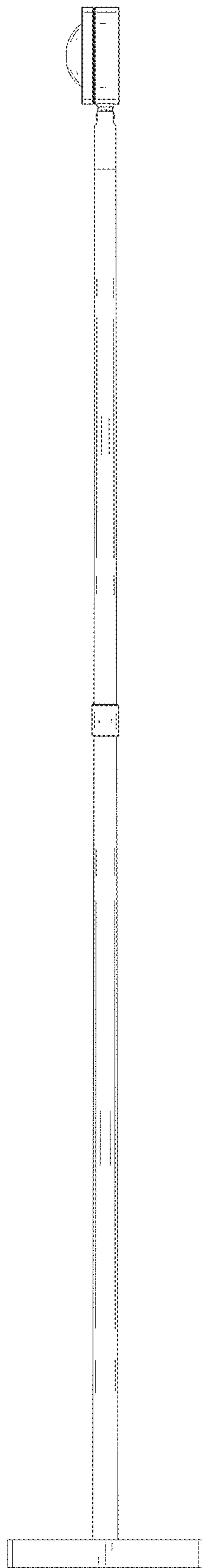


FIG. 5

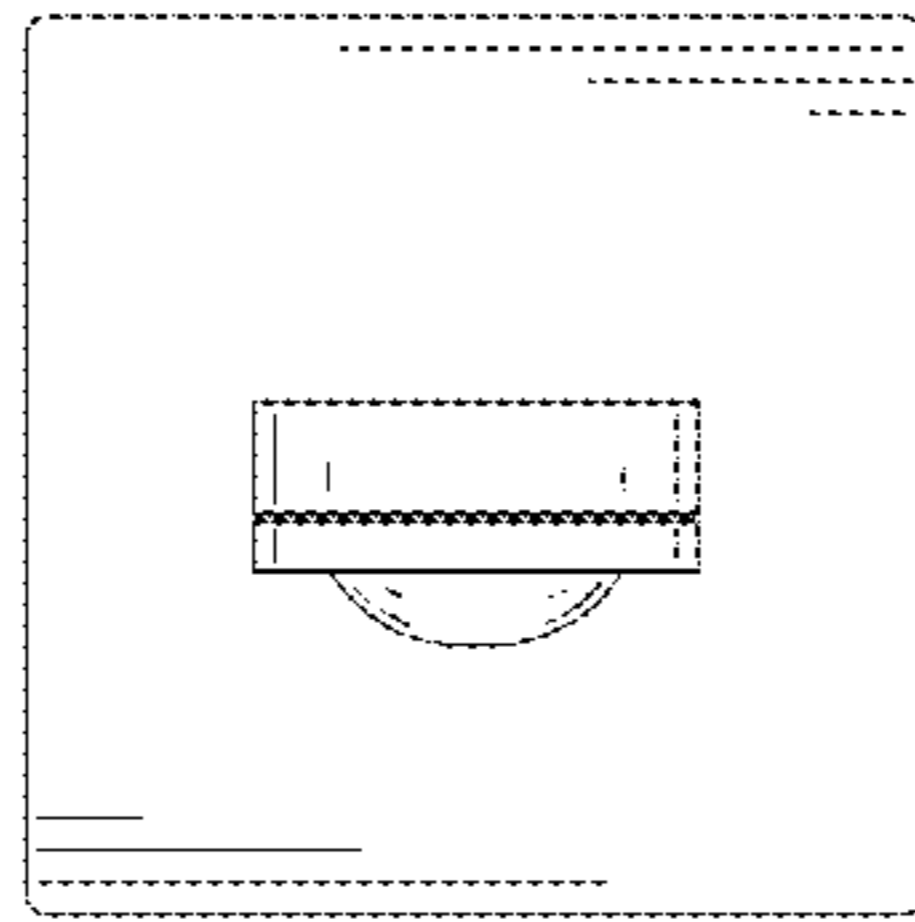


FIG. 6



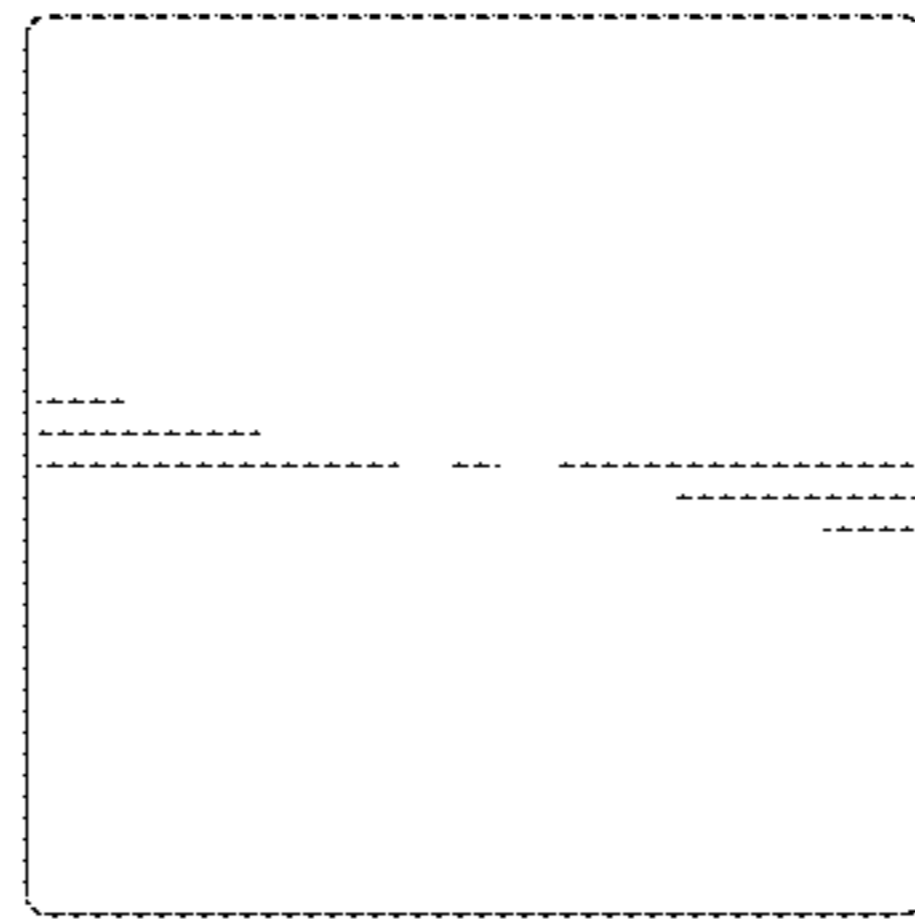


FIG. 7