



US00D974638S

(12) **United States Design Patent** (10) **Patent No.:** **US D974,638 S**  
**McDennon** (45) **Date of Patent:** **\*\* Jan. 3, 2023**

(54) **LIGHTING FIXTURE**

(71) Applicant: **Hinkley Lighting, Inc.**, Avon Lake, OH (US)

(72) Inventor: **Lisa McDennon**, Laguna Beach, CA (US)

(73) Assignee: **HINKLEY LIGHTING, INC.**, Avon Lake, OH (US)

(\*\*) Term: **15 Years**

(21) Appl. No.: **29/823,198**

(22) Filed: **Jan. 14, 2022**

**Related U.S. Application Data**

(62) Division of application No. 29/740,100, filed on Jul. 1, 2020, which is a division of application No. 29/632,853, filed on Jan. 10, 2018, now Pat. No. Des. 892,383.

(51) **LOC (14) Cl.** ..... **26-03**

(52) **U.S. Cl.**  
USPC ..... **D26/85**; D26/87; D26/40; D26/128

(58) **Field of Classification Search**  
USPC .... D26/40, 41, 67, 68, 85, 88, 92, 131, 135, D26/87, 128  
CPC .... F21S 8/03; F21S 8/033; F21S 8/036; F21S 8/081; F21S 9/037; F21W 2111/02; F21W 2111/023; F21W 2132/109; F21W 2131/109

See application file for complete search history.

(56) **References Cited**

**U.S. PATENT DOCUMENTS**

D461,578 S *	8/2002	Cheong	.....	D26/67
D475,797 S *	6/2003	Cheong	.....	D26/37
D807,551 S *	1/2018	Wiedemer	.....	D26/85
10,670,203 B1 *	6/2020	Glazer	.....	F21V 17/002
D892,383 S *	8/2020	McDennon	.....	D26/87

(Continued)

**OTHER PUBLICATIONS**

Filament Design 1-Light Oil Rubbed Bronze Outdoor Wall Lantern Sconce Model #CLI-SH105196 available from homedepot.com as early as Jun. 2, 2020. (Year: 2020).\*

(Continued)

*Primary Examiner* — Clare E Heflin

(74) *Attorney, Agent, or Firm* — Pearne & Gordon LLP

(57) **CLAIM**

The ornamental design for a lighting fixture, as shown and described.

**DESCRIPTION**

FIGS. 1-7 illustrate a first embodiment of the lighting fixture, in which:

FIG. 1 is a top perspective view;

FIG. 2 is a bottom perspective view;

FIG. 3 is a left-side view;

FIG. 4 is a front view;

FIG. 5 is a right-side view;

FIG. 6 is a top view; and

FIG. 7 is a bottom view.

FIGS. 8-14 illustrate a second embodiment of the lighting fixture, in which:

FIG. 8 is a top perspective view;

FIG. 9 is a bottom perspective view;

FIG. 10 is a left-side view;

FIG. 11 is a front view;

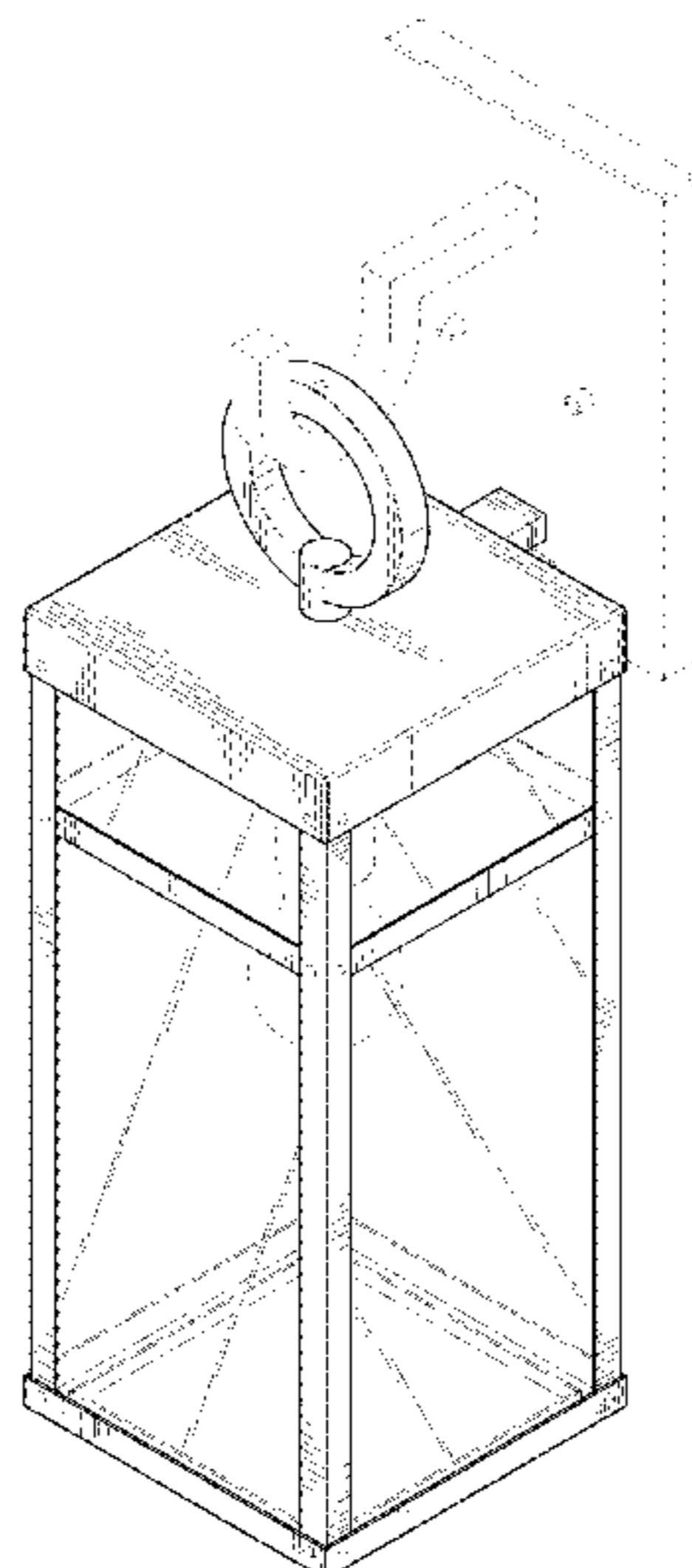
FIG. 12 is a right-side view;

FIG. 13 is a top view; and,

FIG. 14 is a bottom view.

Broken lines in the figures represent features of the lighting fixture forming no part of claimed design, and dot-dash lines represent a view of the fixture that is disclaimed, and which forms no part of the claimed design.

**1 Claim, 8 Drawing Sheets**



(56)

**References Cited**

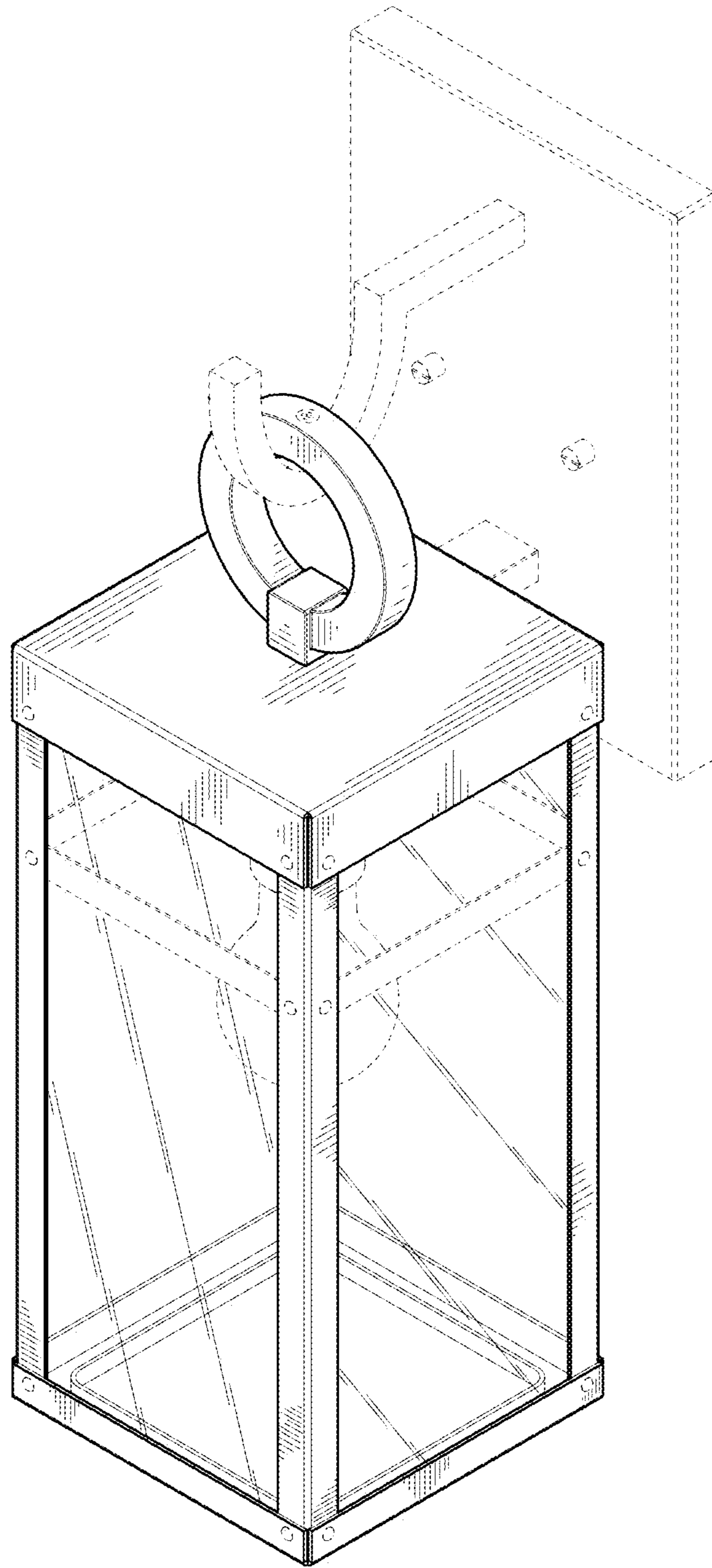
U.S. PATENT DOCUMENTS

D894,467 S \* 8/2020 Xu ..... D26/88  
D906,573 S \* 12/2020 Smith ..... D26/85  
D906,576 S \* 12/2020 Kim ..... D26/87  
D950,832 S \* 5/2022 Wiedemer ..... D26/118  
2019/0203890 A1 \* 7/2019 Moore ..... F21V 23/003

OTHER PUBLICATIONS

Hinkley Porter Collection Wall Mount Lanterns, ASIN: B07F39Q1HG.  
First available from amazon.com Jun. 28, 2018. (Year: 2018).\*  
Quoizel MOI1908EK Moira Outdoor Pendant ASIN: B091V8MF92.  
First available from amazon.com Apr. 6, 2021. (Year: 2021).\*  
Tipace Outdoor Wall Lantern, ASIN: B08JGLQF7M. First available  
from amazon.com Sep. 18, 2020. (Year: 2020).\*

\* cited by examiner



**Fig. 1**

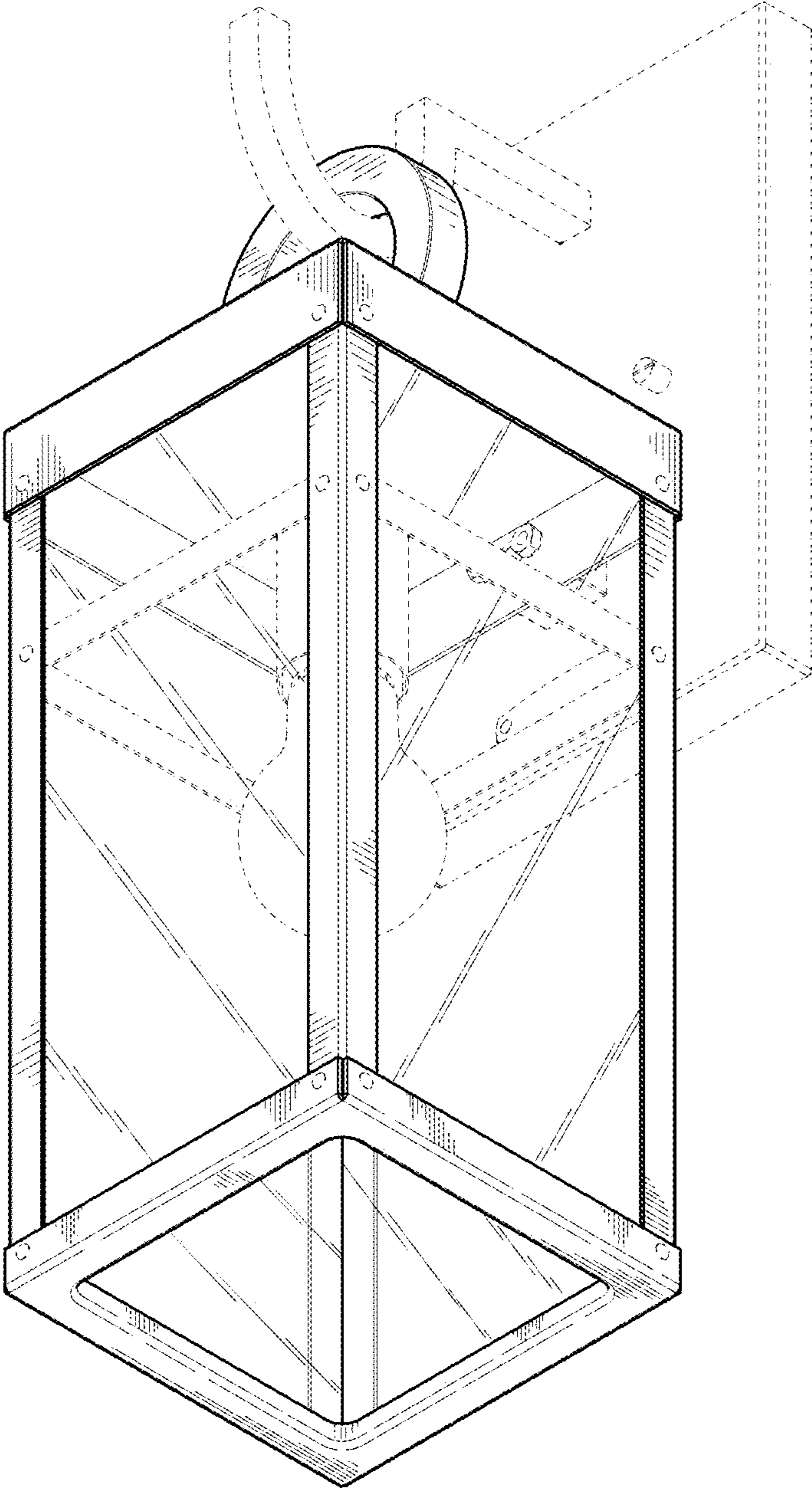


Fig. 2

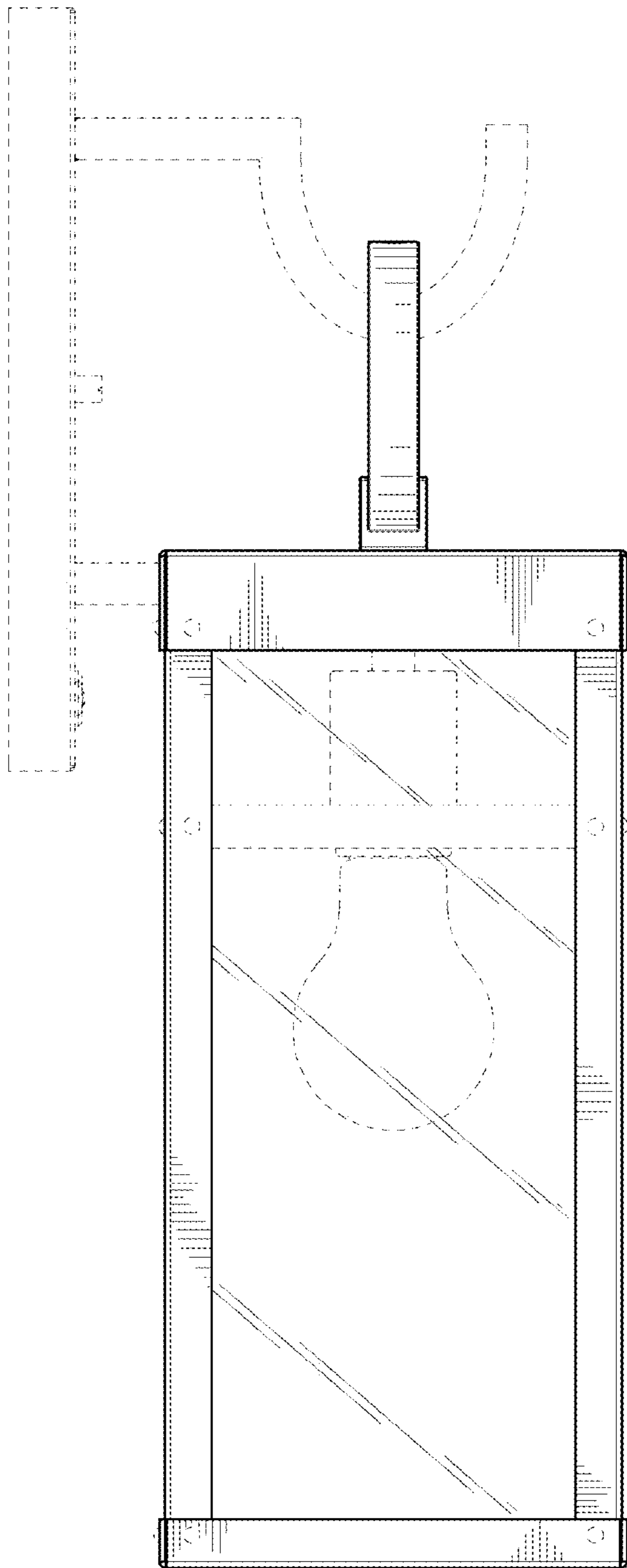


Fig. 3

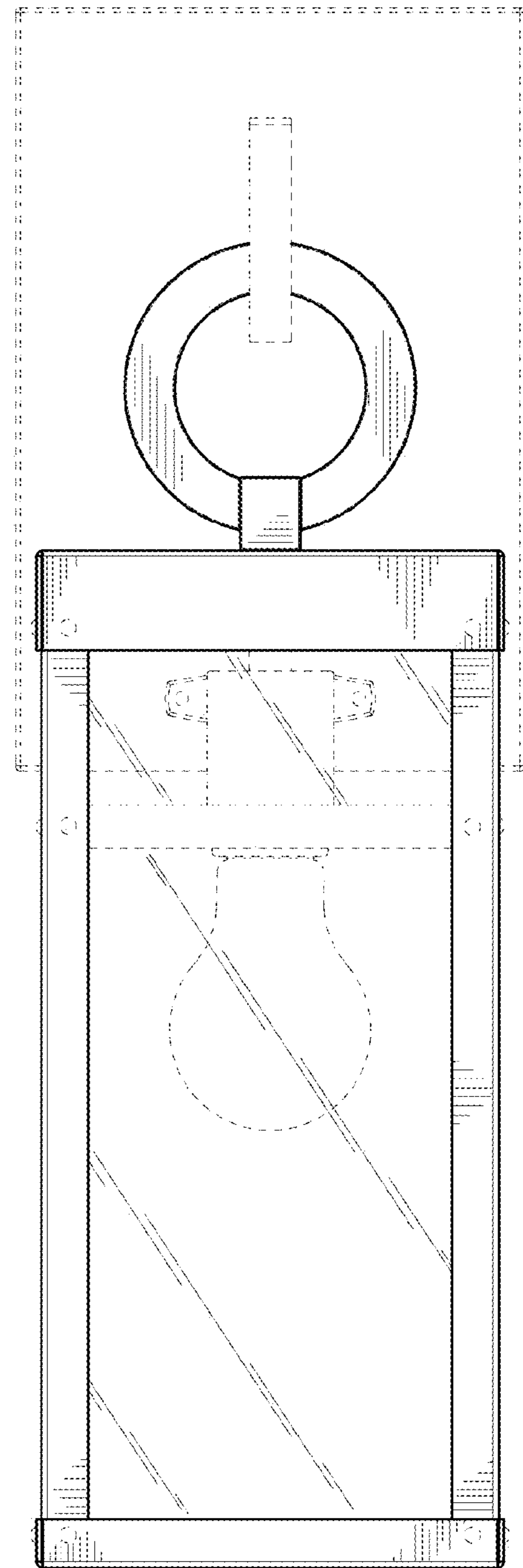
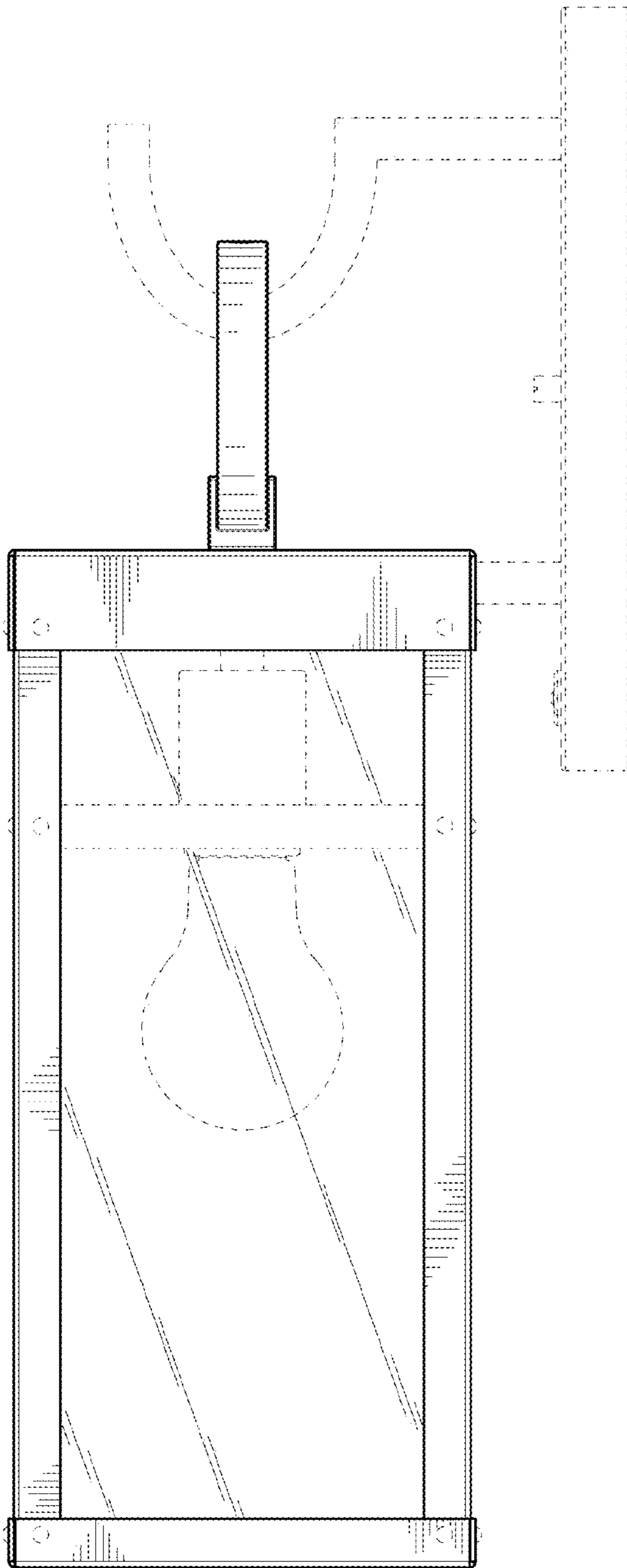
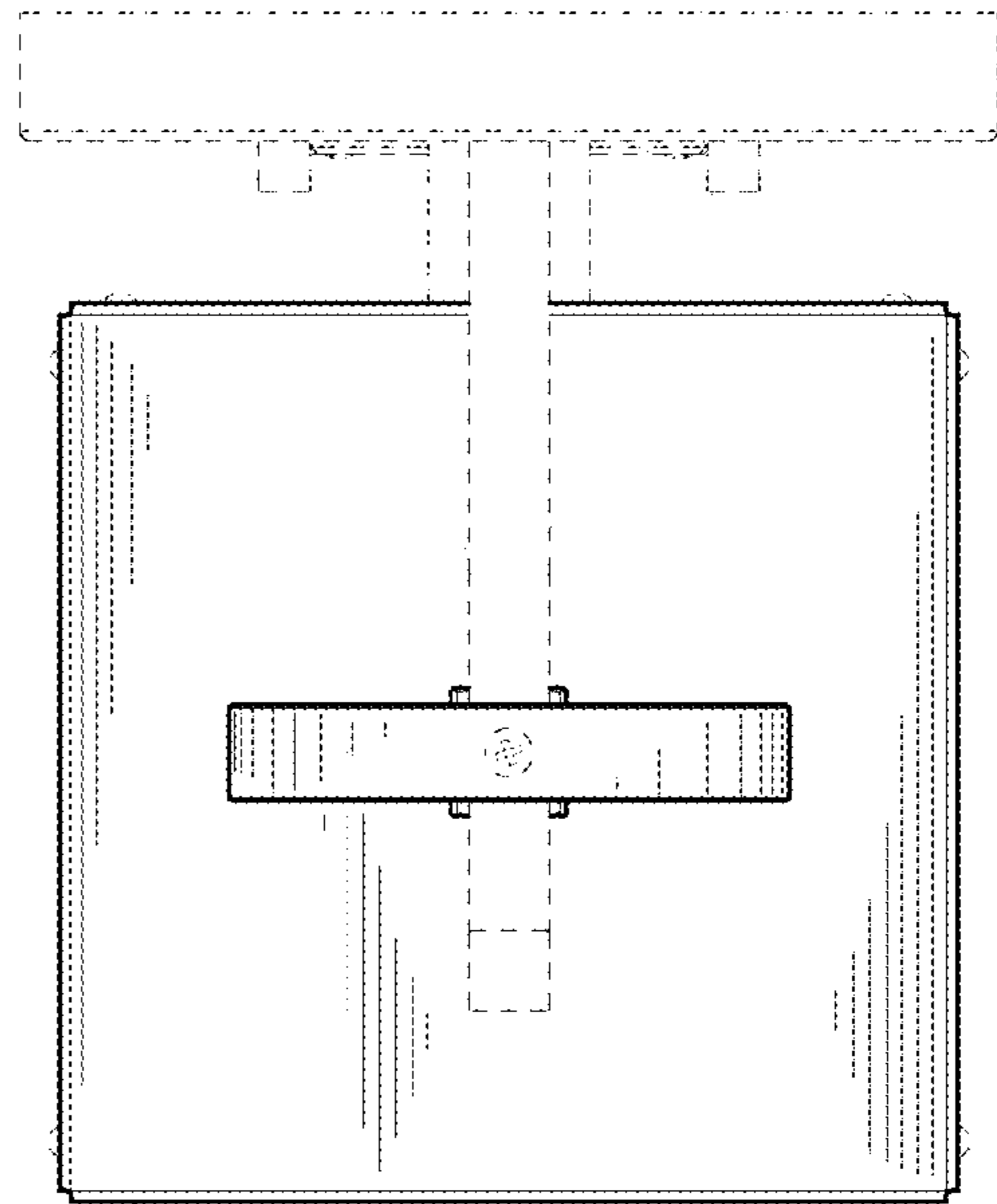


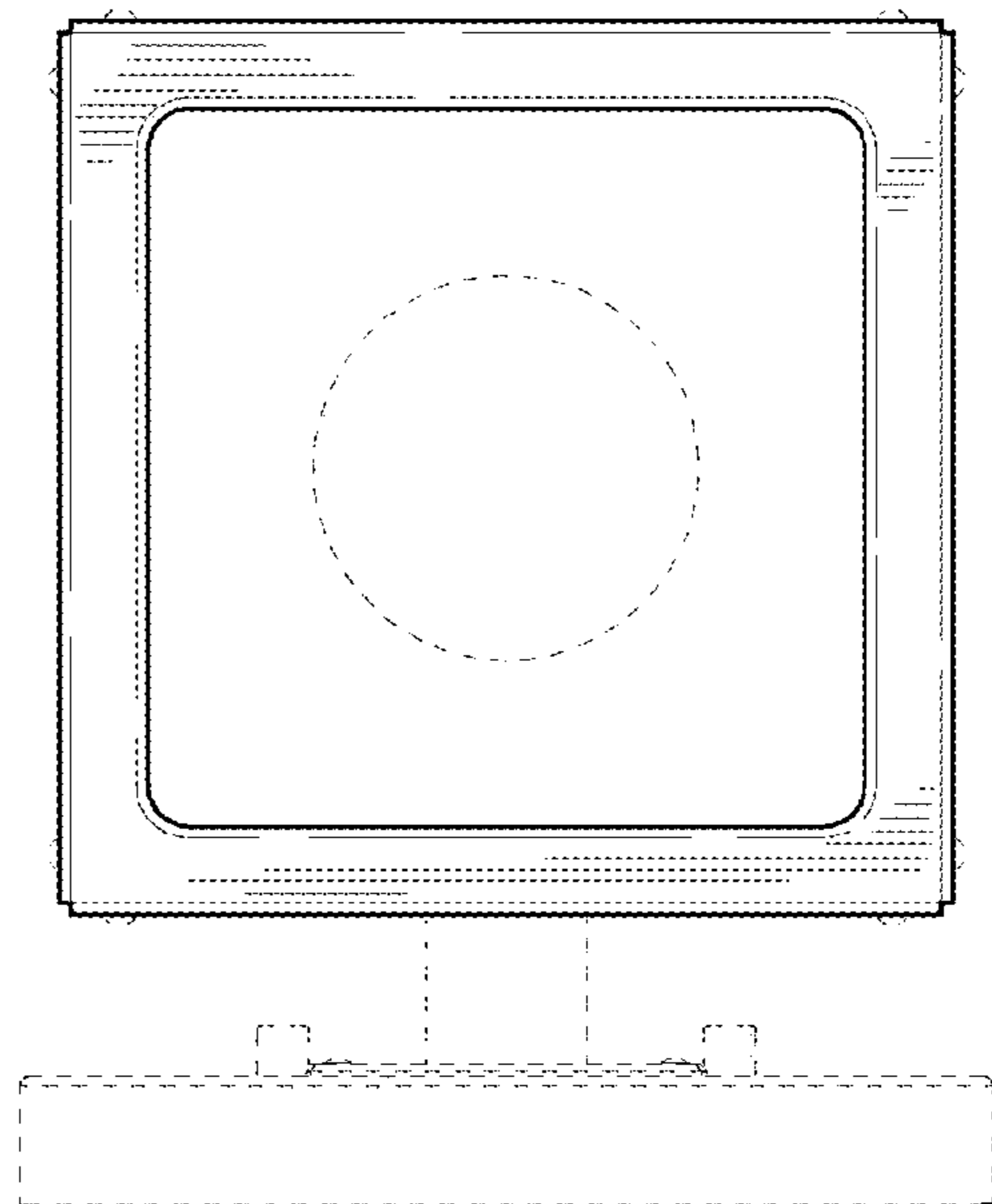
Fig. 4



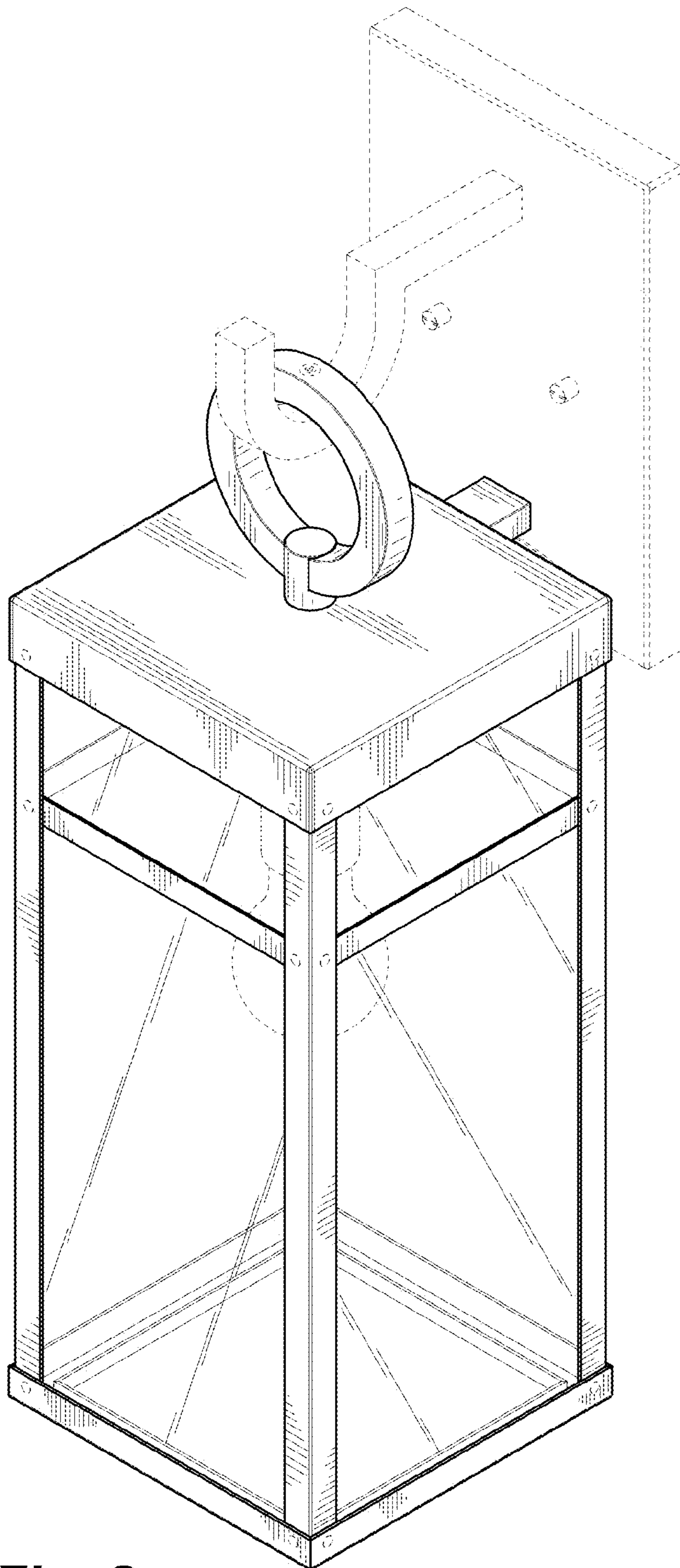
**Fig. 5**



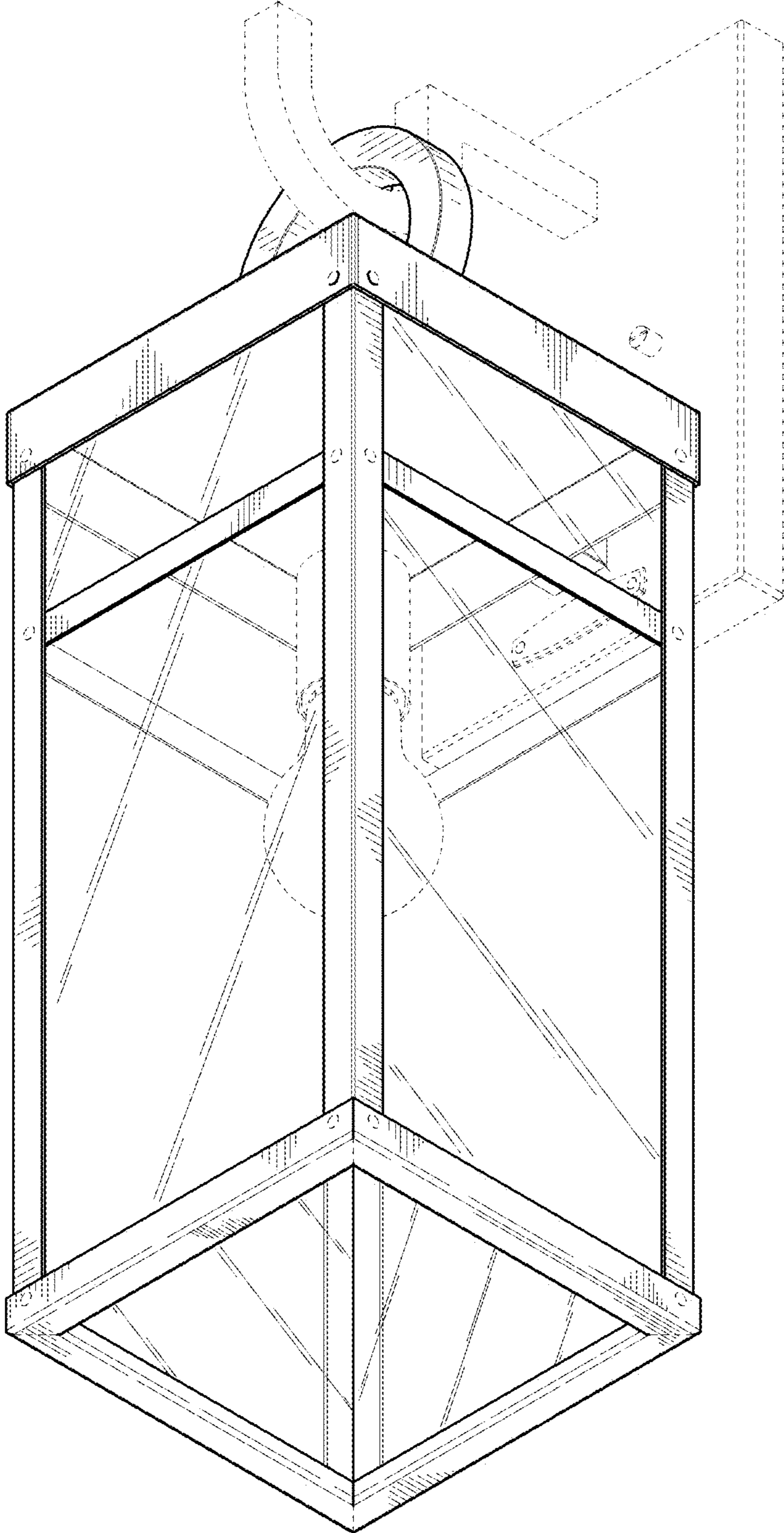
**Fig. 6**



**Fig. 7**

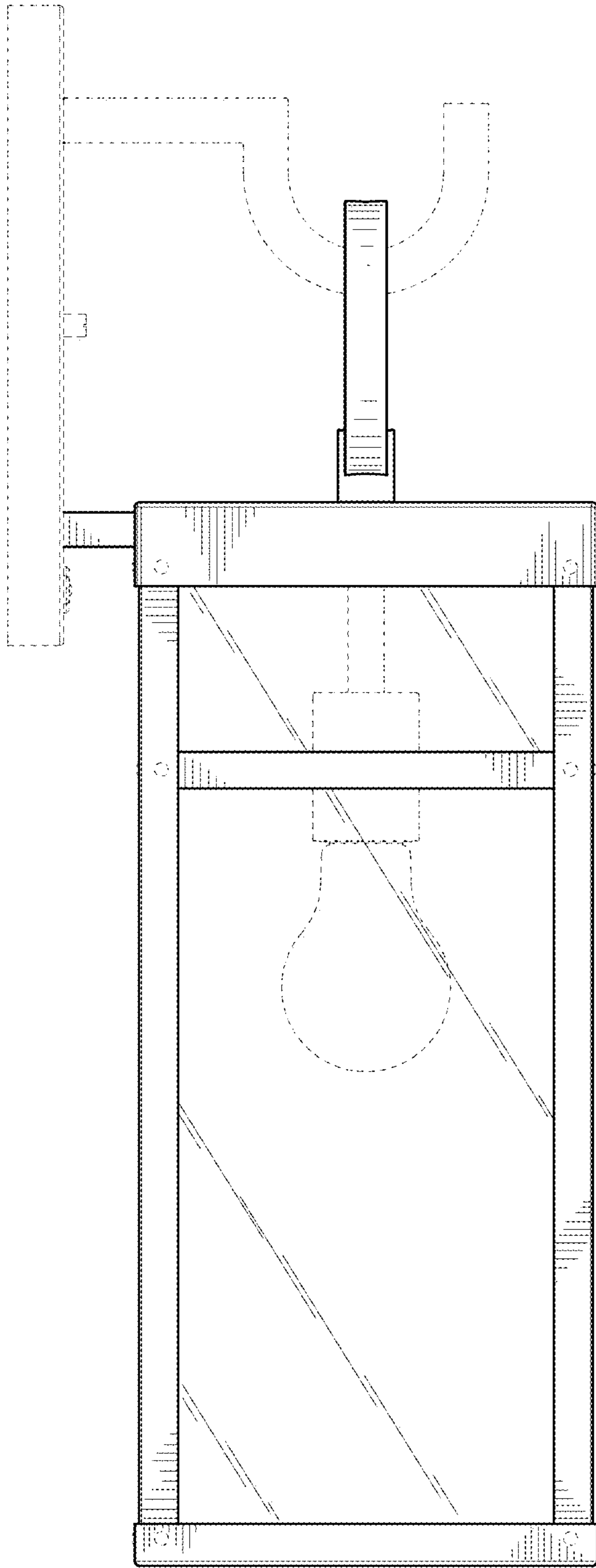


**Fig. 8**

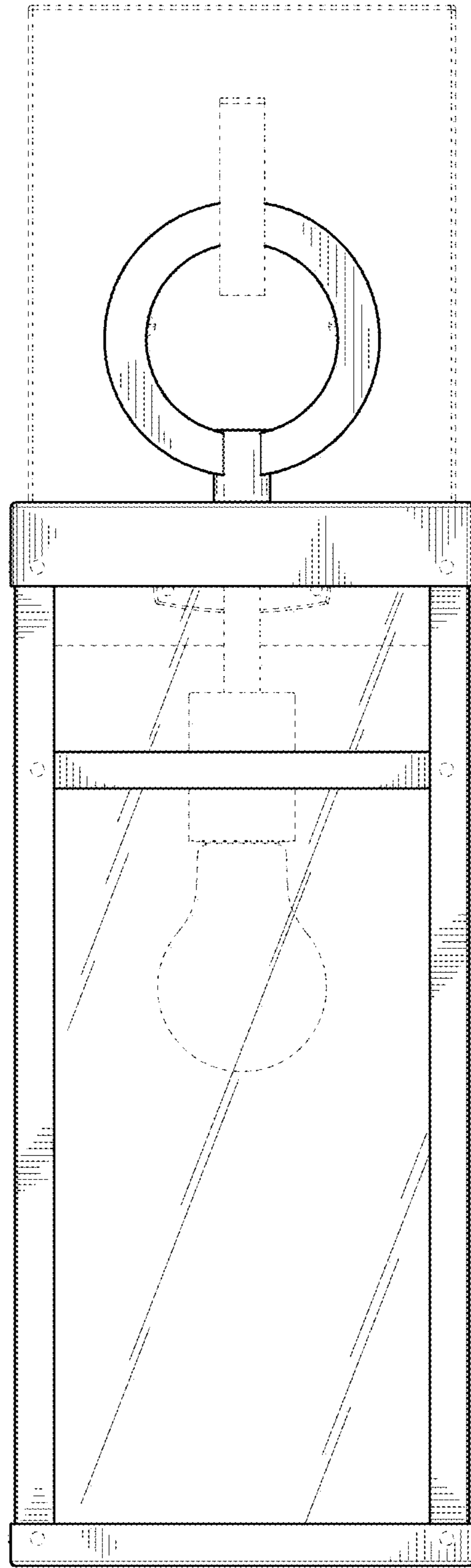


**Fig. 9**

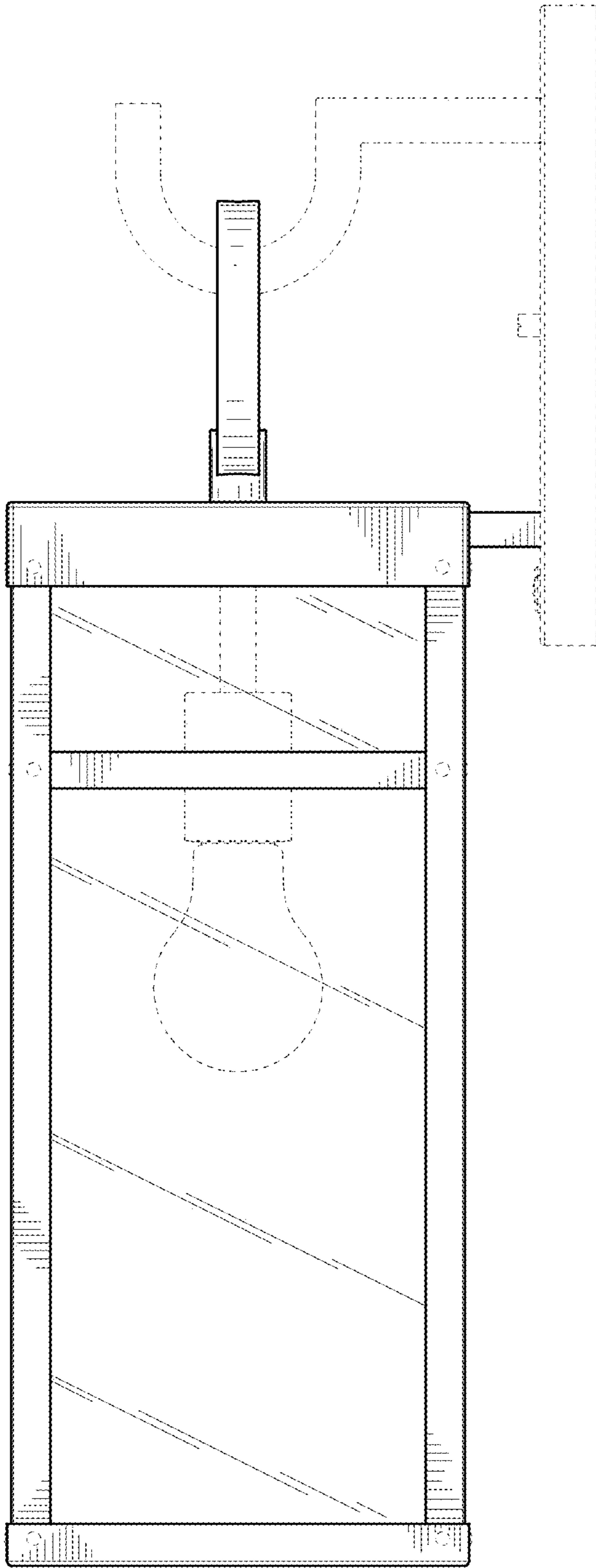




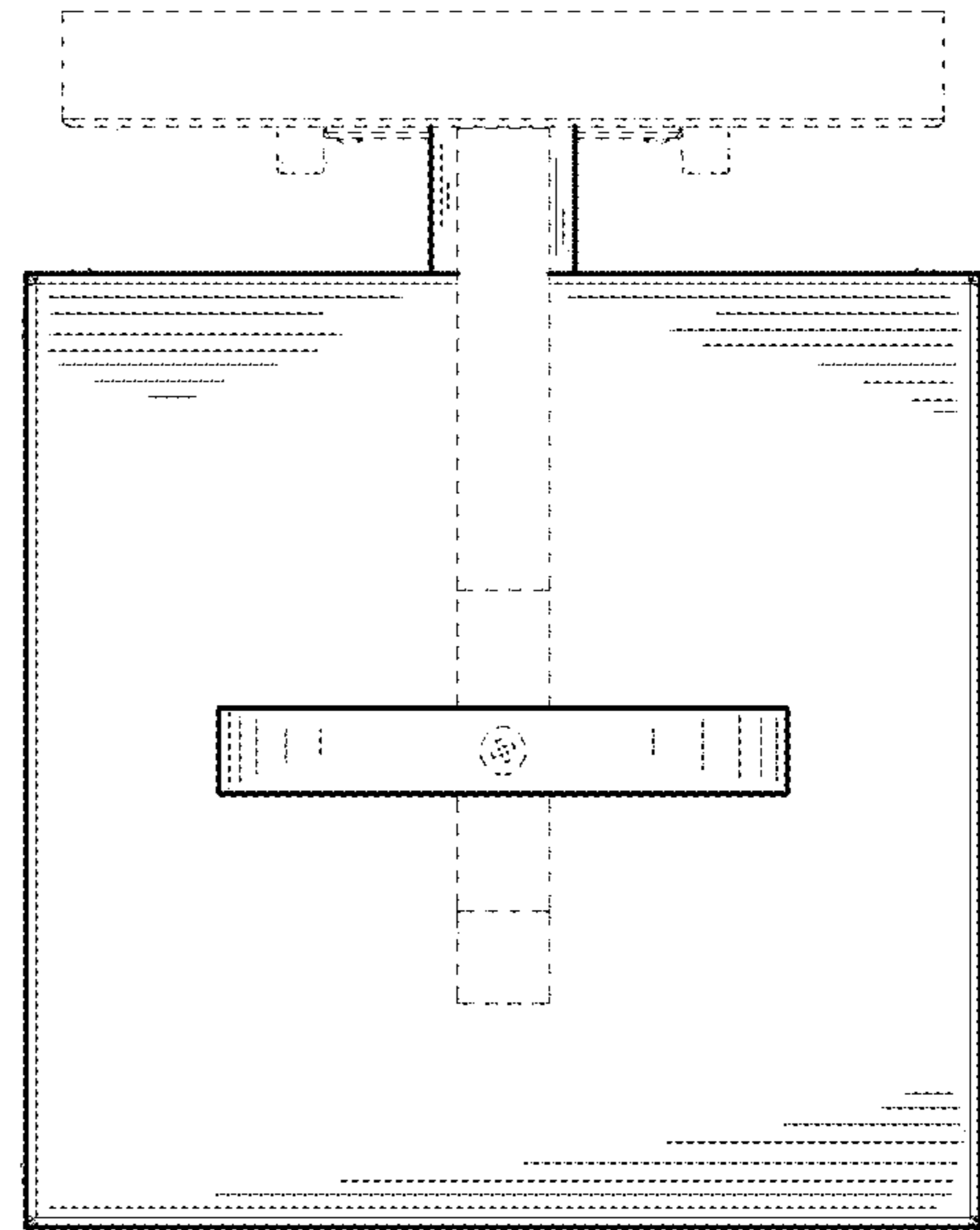
**Fig. 10**



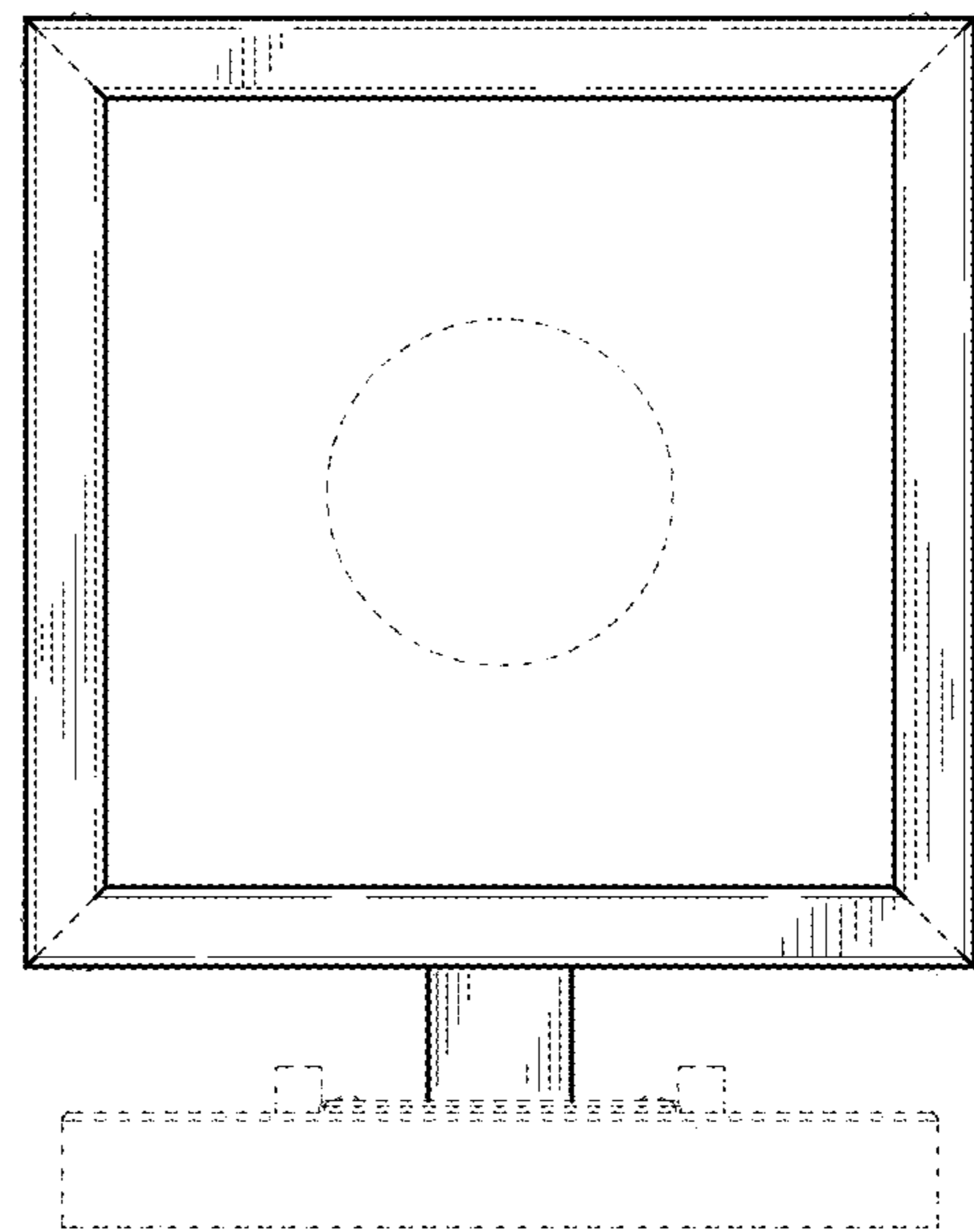
**Fig. 11**



**Fig. 12**



**Fig. 13**



**Fig. 14**