



US00D974636S

(12) **United States Design Patent**  
**Zheng**

(10) **Patent No.:** **US D974,636 S**

(45) **Date of Patent:** **\*\* Jan. 3, 2023**

(54) **DOWNLIGHT**

(71) Applicant: **Hangzhou Juxing Intelligent Technology Co., Ltd., Hangzhou (CN)**

(72) Inventor: **Hongbing Zheng, Hangzhou (CN)**

(73) Assignee: **HANGZHOU JUXING INTELLIGENT TECHNOLOGY CO., LTD., Hangzhou (CN)**

(\*\*) Term: **15 Years**

(21) Appl. No.: **29/834,721**

(22) Filed: **Apr. 13, 2022**

(51) **LOC (14) Cl.** ..... **26-05**

(52) **U.S. Cl.**  
USPC ..... **D26/74**

(58) **Field of Classification Search**  
USPC ..... D26/74, 72, 75, 76, 77, 78, 85, 88, 89,  
D26/118, 138, 141  
CPC ..... F21V 7/06; F21V 21/044; F21V 21/047;  
F21S 8/02; F21S 8/026  
See application file for complete search history.

(56) **References Cited**

**U.S. PATENT DOCUMENTS**

D397,490 S *	8/1998	Lecluze	.....	D26/118
D473,966 S *	4/2003	Lecluze	.....	D26/74
D641,520 S	7/2011	Grajcar		
D655,035 S	2/2012	Wu		
D665,117 S *	8/2012	Yoshida	.....	D26/74
D678,583 S	3/2013	Jeswani et al.		
D679,044 S	3/2013	Jeswani et al.		
D681,863 S	5/2013	Chen et al.		
D697,650 S	1/2014	Maxik et al.		
D712,082 S	8/2014	Harpenau et al.		
D723,728 S	3/2015	Jeswani et al.		

D767,809 S	9/2016	Gotz-Schafer		
D769,504 S	10/2016	Jeswani et al.		
D777,966 S	1/2017	Jeswani et al.		
D861,958 S	10/2019	Winters		
D884,249 S	5/2020	Mei		
D942,666 S *	2/2022	Ou Yang	.....	D26/74
D942,668 S *	2/2022	Ou Yang	.....	D26/74
2017/0045188 A1 *	2/2017	Im	.....	F21V 15/015
2019/0226671 A1 *	7/2019	Huang	.....	F21V 7/04
2019/0318697 A1 *	10/2019	Kumar	.....	H05B 47/11
2020/0386376 A1 *	12/2020	Zeng	.....	F21V 21/30
2022/0074583 A1 *	3/2022	Huang	.....	G02B 6/0085
2022/0082235 A1 *	3/2022	Chen	.....	F21V 23/003

\* cited by examiner

*Primary Examiner* — Angela J Lee

(74) *Attorney, Agent, or Firm* — Leong C. Lei

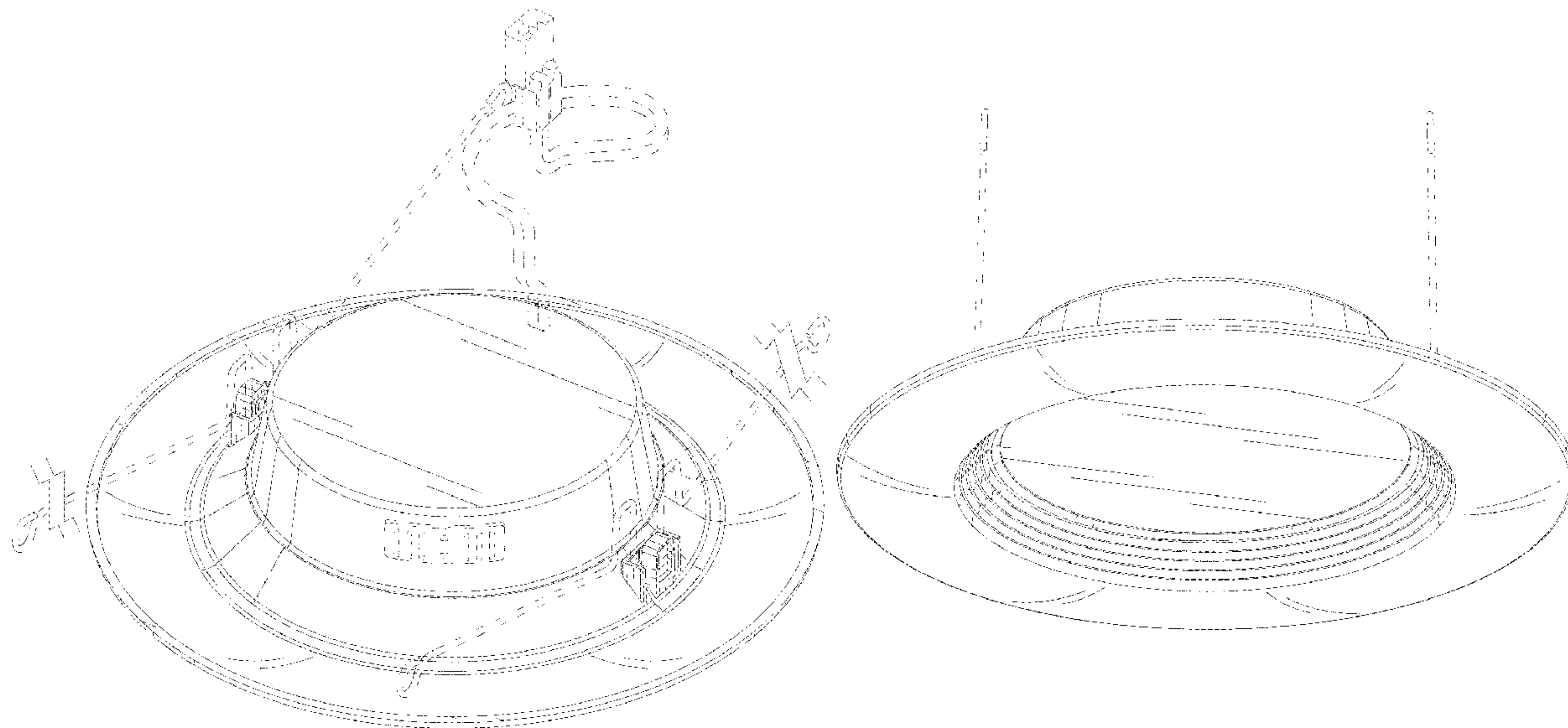
(57) **CLAIM**

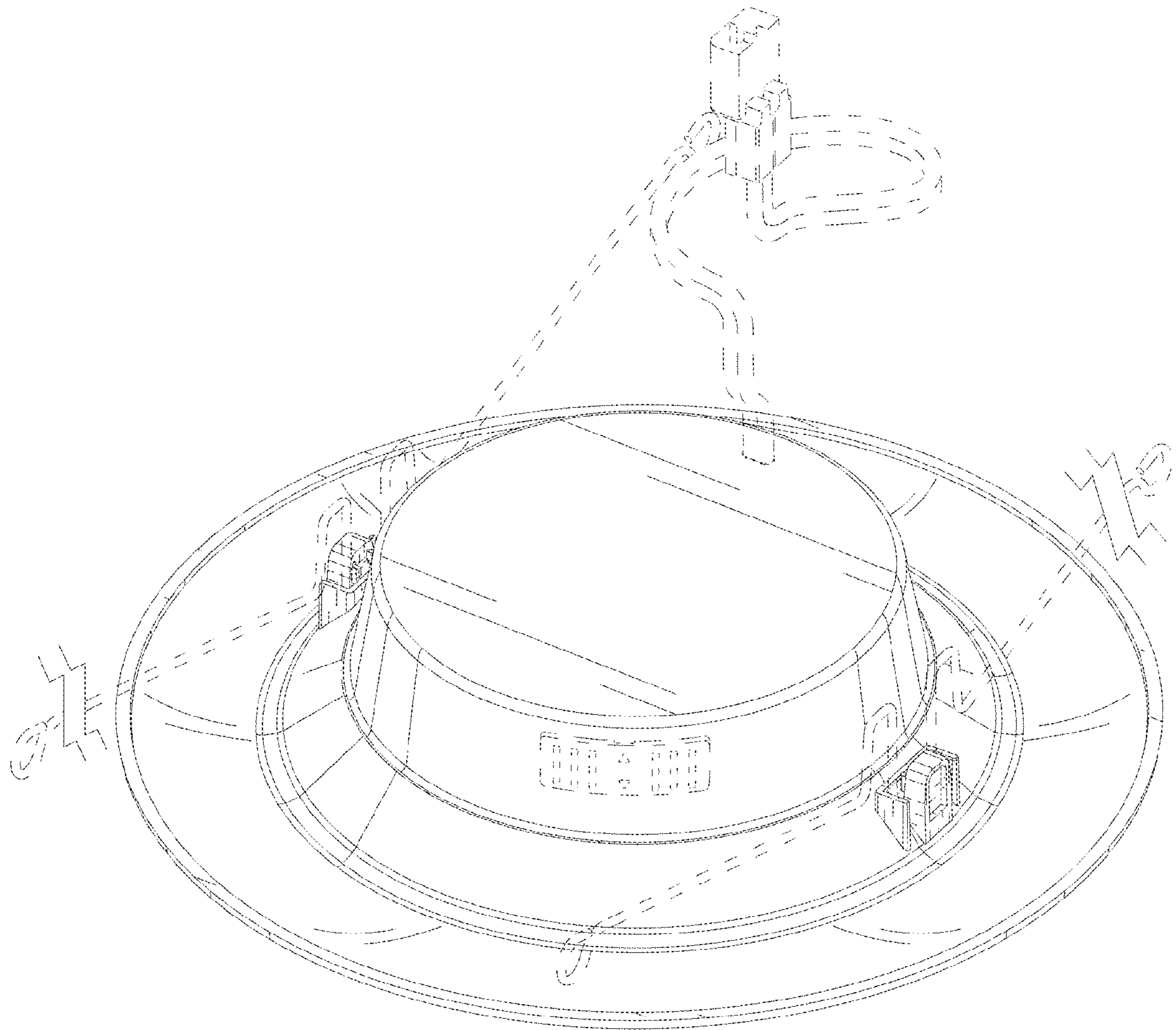
The ornamental design for a downlight, as shown and described.

**DESCRIPTION**

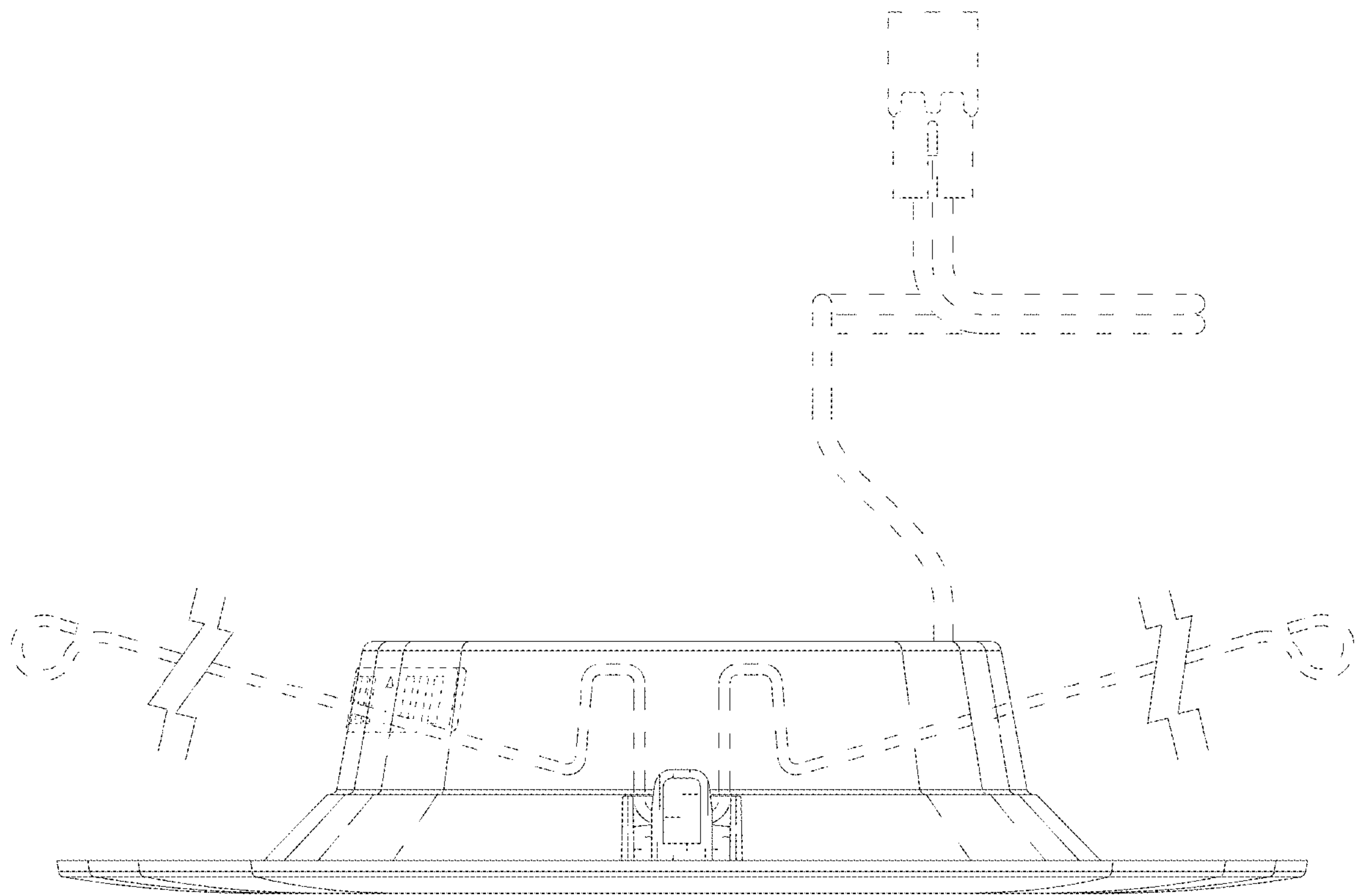
FIG. 1 is a perspective view of a downlight showing my present design;  
 FIG. 2 is a front view thereof;  
 FIG. 3 is a rear view thereof;  
 FIG. 4 is a left side view thereof;  
 FIG. 5 is a right side view thereof;  
 FIG. 6 is a top view thereof;  
 FIG. 7 is a bottom view thereof;  
 FIG. 8 is a cross-sectional view taken along the line 8-8 of FIG. 7 thereof; and,  
 FIG. 9 is a bottom perspective view of a downlight of FIG. 1.  
 The broken lines shown in the drawings are for illustrative purposes only and form no part of the claimed design.

**1 Claim, 9 Drawing Sheets**

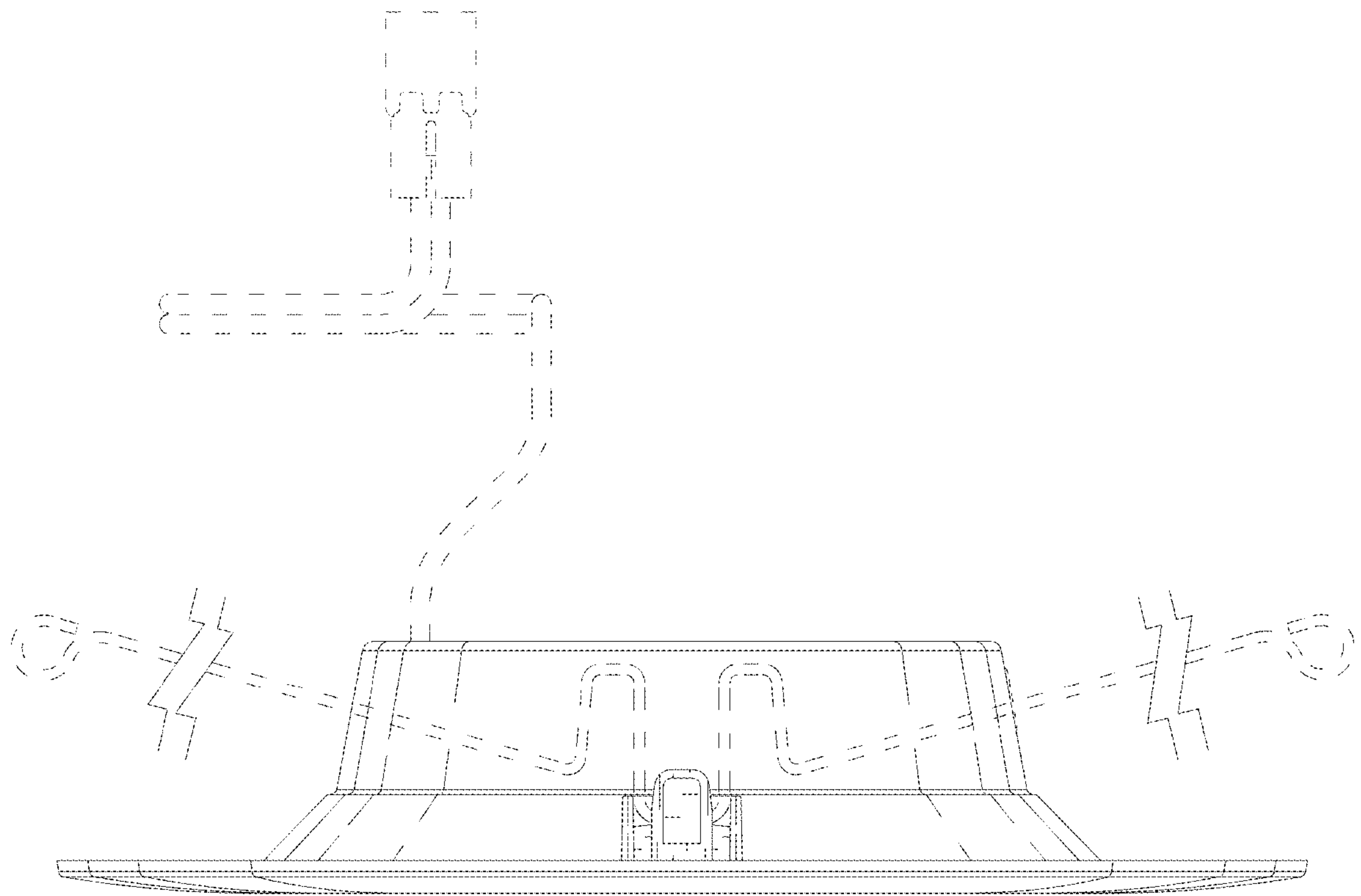




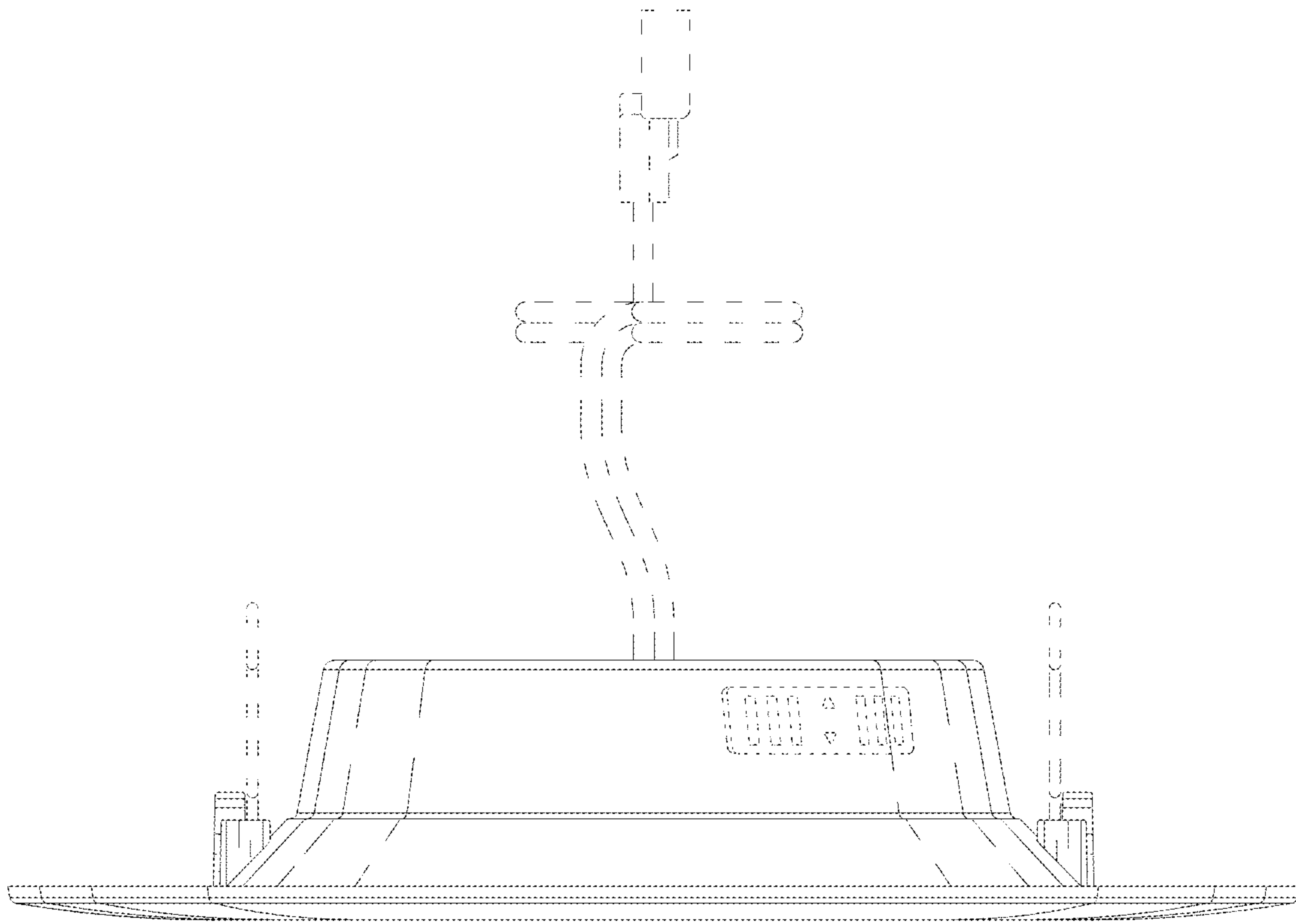
**FIG. 1**



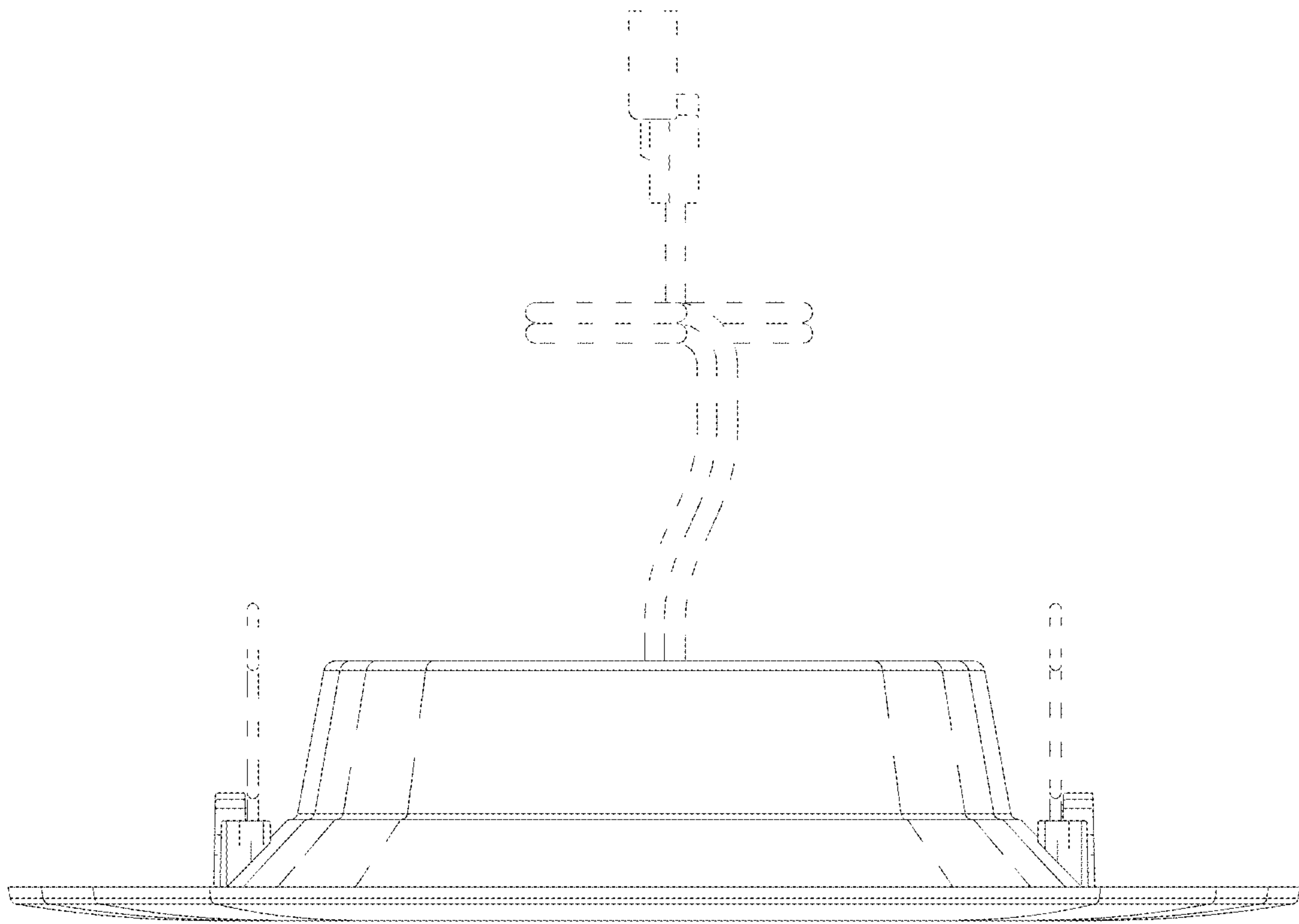
**F I G. 2**



**F I G. 3**

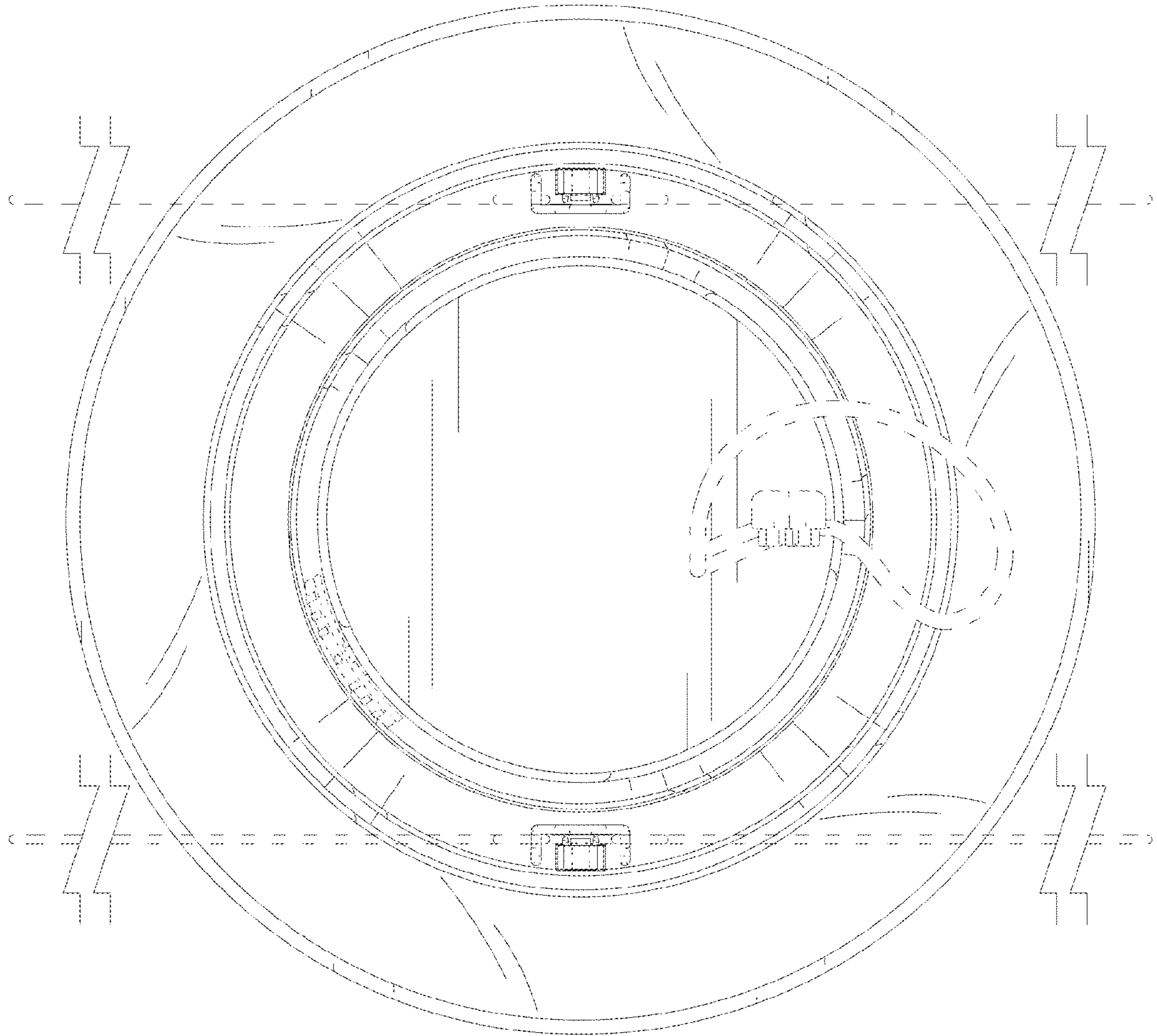


**FIG. 4**

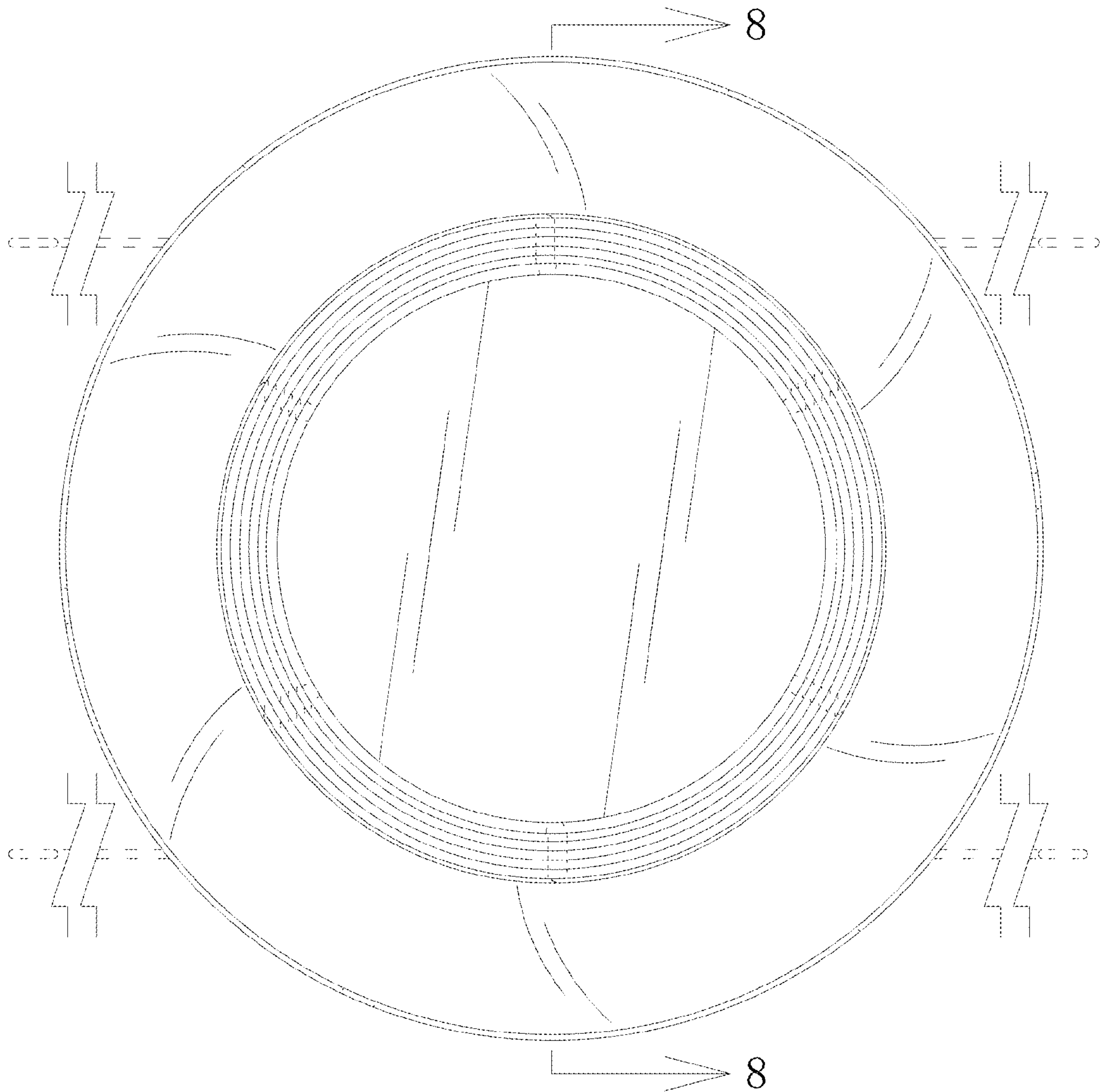


**FIG. 5**



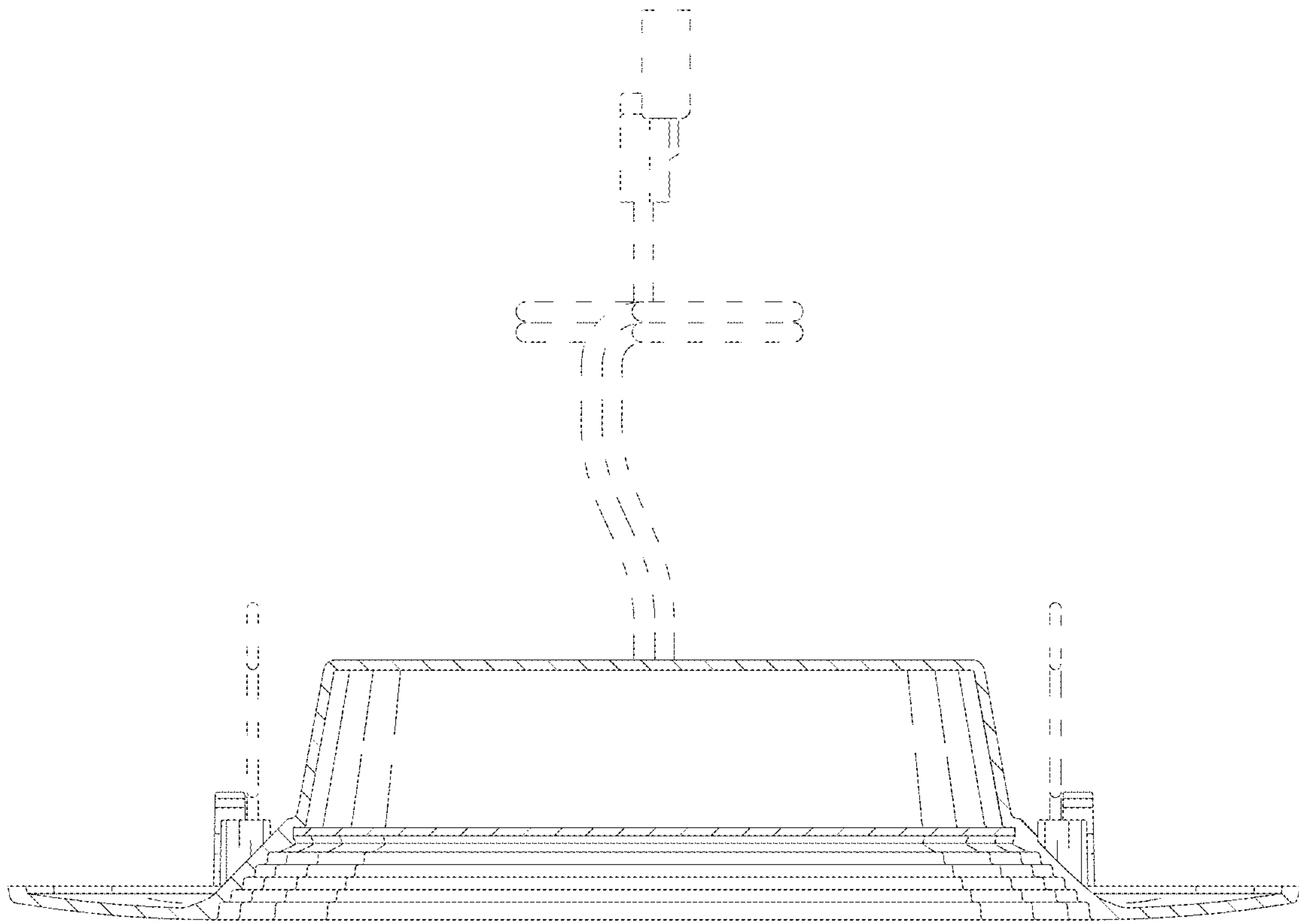


**FIG. 6**

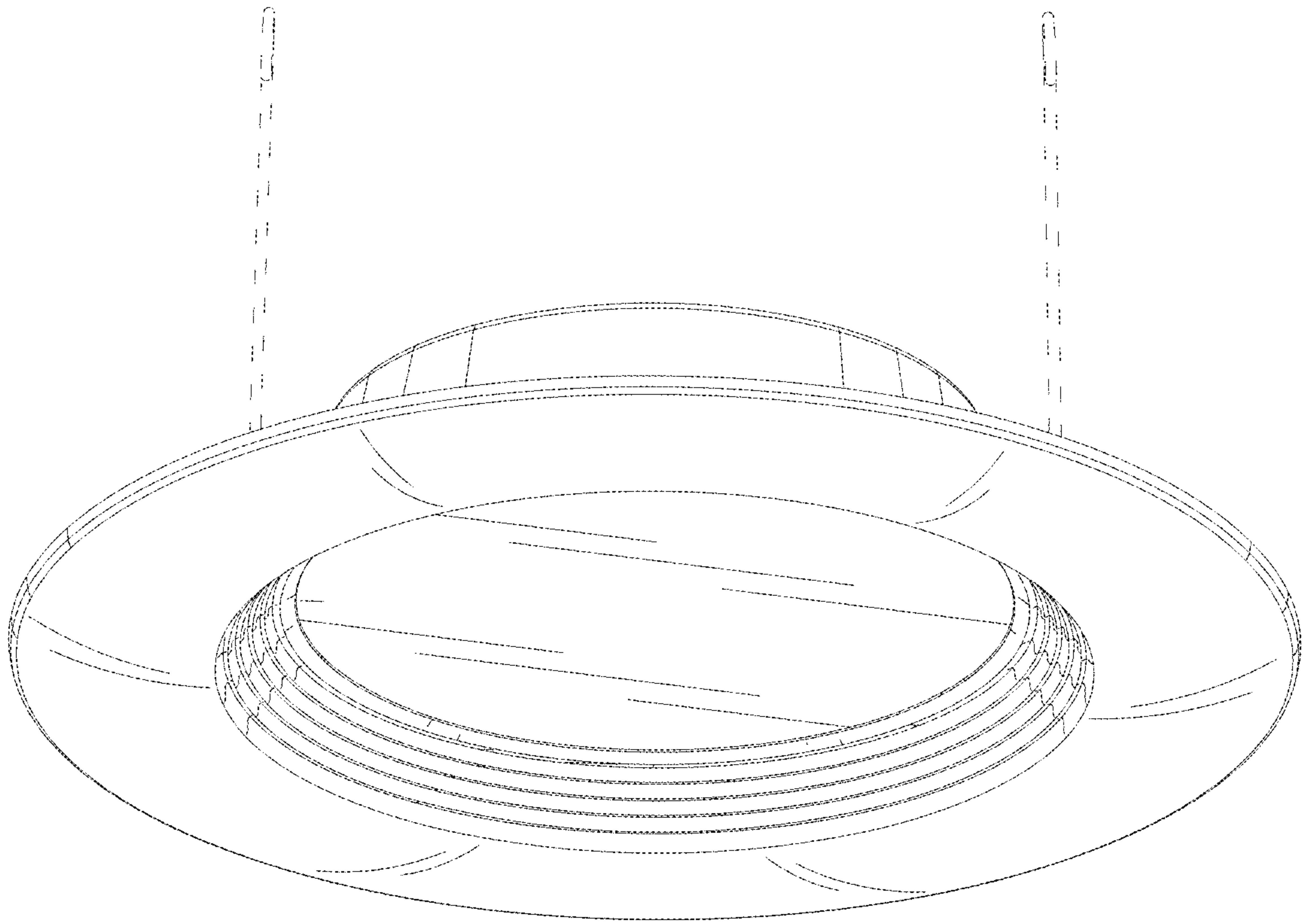


**FIG. 7**





**FIG. 8**



**FIG. 9**