

US00D974635S

(12) **United States Design Patent** (10) **Patent No.:** **US D974,635 S**
Ma (45) **Date of Patent:** **** Jan. 3, 2023**

(54) **PUPPY LIGHT**

(71) Applicant: **Sainan Ma**, Shenzhen (CN)

(72) Inventor: **Sainan Ma**, Shenzhen (CN)

(**) Term: **15 Years**

(21) Appl. No.: **29/796,165**

(22) Filed: **Jun. 23, 2021**

(51) **LOC (14) Cl.** **26-05**

(52) **U.S. Cl.**
USPC **D26/73**

(58) **Field of Classification Search**
USPC D26/73, 80-86, 88, 25; D17/10, 22;
D11/141; D21/467

CPC F21S 8/04; F21S 8/043; F21S 8/046; F21S
8/06; F21S 8/061; F21S 8/063; F21S
8/065

See application file for complete search history.

(56) **References Cited**

U.S. PATENT DOCUMENTS

D157,743 S *	3/1950	Drucker	D21/467
3,762,084 A *	10/1973	Jones	A63H 33/40 428/7
D387,460 S *	12/1997	Huang	D26/73
5,829,862 A *	11/1998	Ferrell	G02B 6/001 362/124
D485,389 S *	1/2004	Weiser	D26/73
D557,447 S	12/2007	Hsu	
D567,884 S *	4/2008	Walker	D21/467
D576,341 S	9/2008	Dordoni	
D613,893 S *	4/2010	Kim	D10/114.1
D692,793 S *	11/2013	Stoeppler	D11/120
D700,391 S *	2/2014	Sabernig	D26/90
D733,607 S *	7/2015	Paulson	D11/141
D837,441 S	1/2019	Odgaard	
D927,041 S *	8/2021	Sun	D26/90

OTHER PUBLICATIONS

Vency Dog Solar String Lights Wind Chimes, ASIN: B08THQL4XS. Available from amazon.com Jan. 20, 2021. (Year: 2021).*

JOBOSI Dog String Light Wind Chimes, ASIN: B08FC7L6M2. Available from amazon.com Aug. 6, 2020. (Year: 2020).*

Solawindchime Dogs Wind Chimes, ASIN: B08QYPXRP1. Available from amazon.com Dec. 18, 2020. (Year: 2020).*

* cited by examiner

Primary Examiner — Clare E Heflin

(74) *Attorney, Agent, or Firm* — Runit Ranjit Kanakia

(57) **CLAIM**

The ornamental design for a puppy light, as shown and described.

DESCRIPTION

FIG. 1 is a first perspective view of a puppy light showing my new design;

FIG. 2 is a second perspective view thereof;

FIG. 3 is a front view thereof;

FIG. 4 is a back view thereof;

FIG. 5 is a left side view thereof;

FIG. 6 is a right side view thereof;

FIG. 7 is a top view thereof;

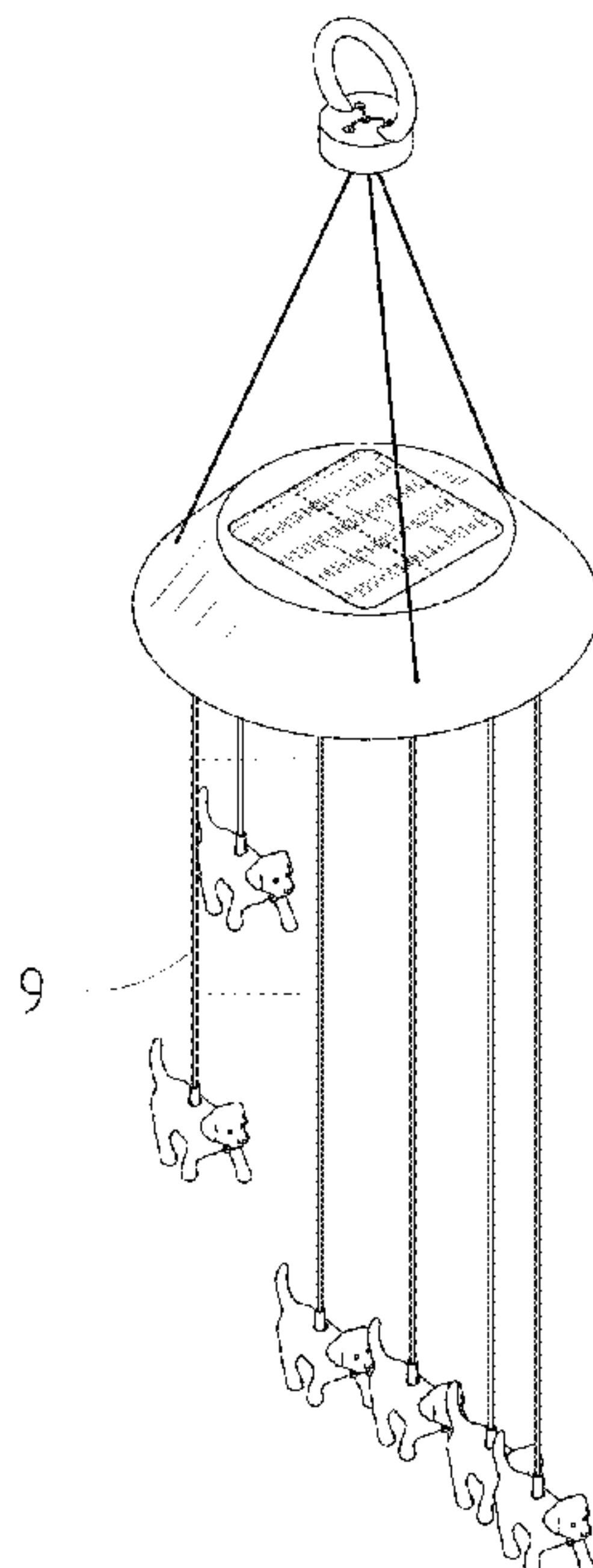
FIG. 8 is a bottom view thereof;

FIG. 9 is an enlarged view of the selected portion in FIG. 1; and,

FIG. 10 is an enlarged view of the selected portion in FIG. 2.

The broken lines shown in the drawings depict portions of the puppy light in which the design is embodied that form no part of the claimed design.

1 Claim, 10 Drawing Sheets



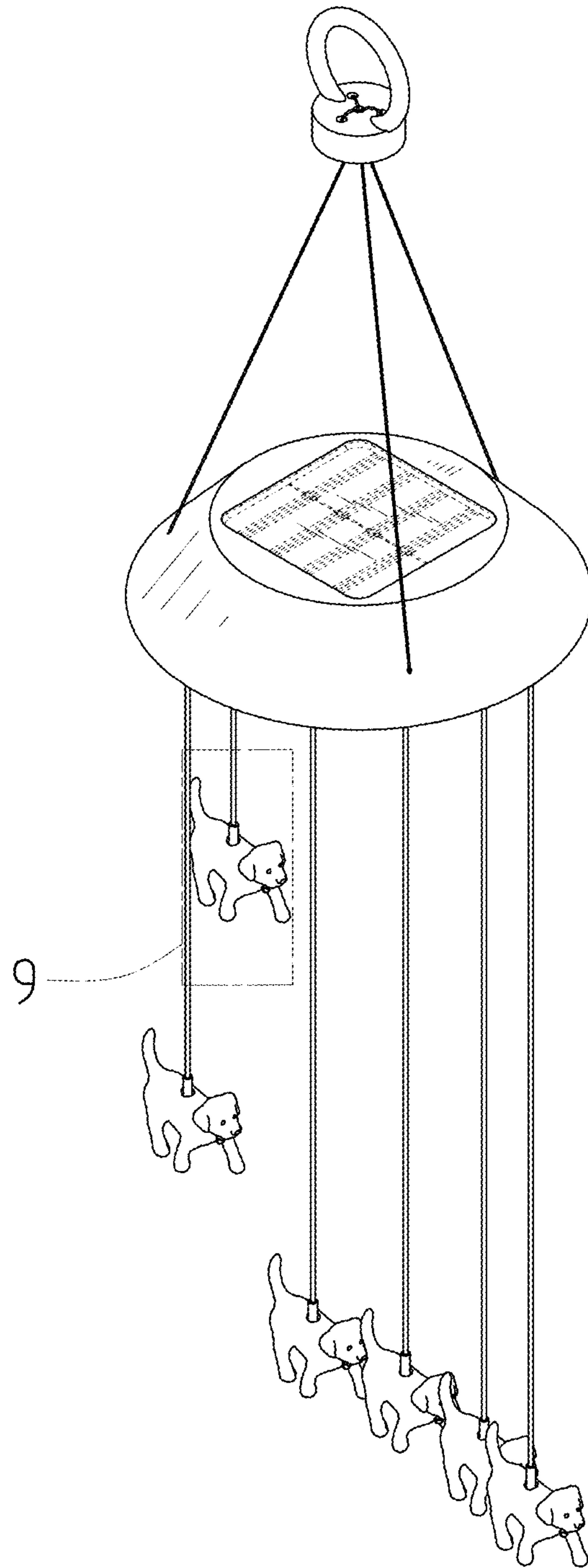


FIG. 1

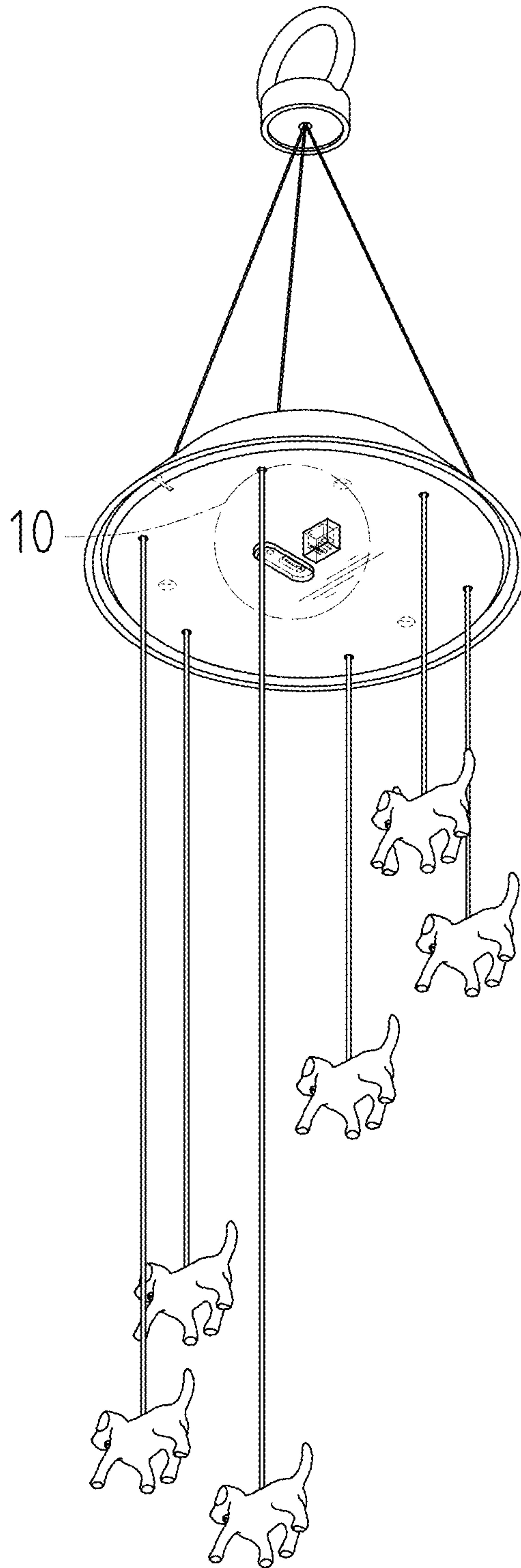


FIG. 2

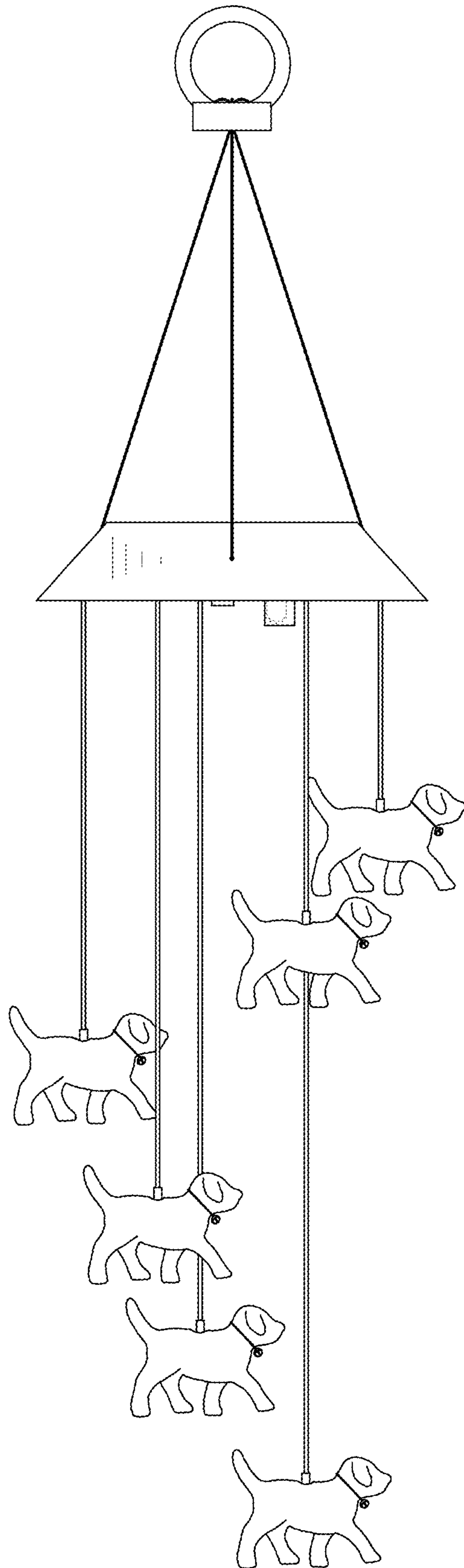


FIG. 3

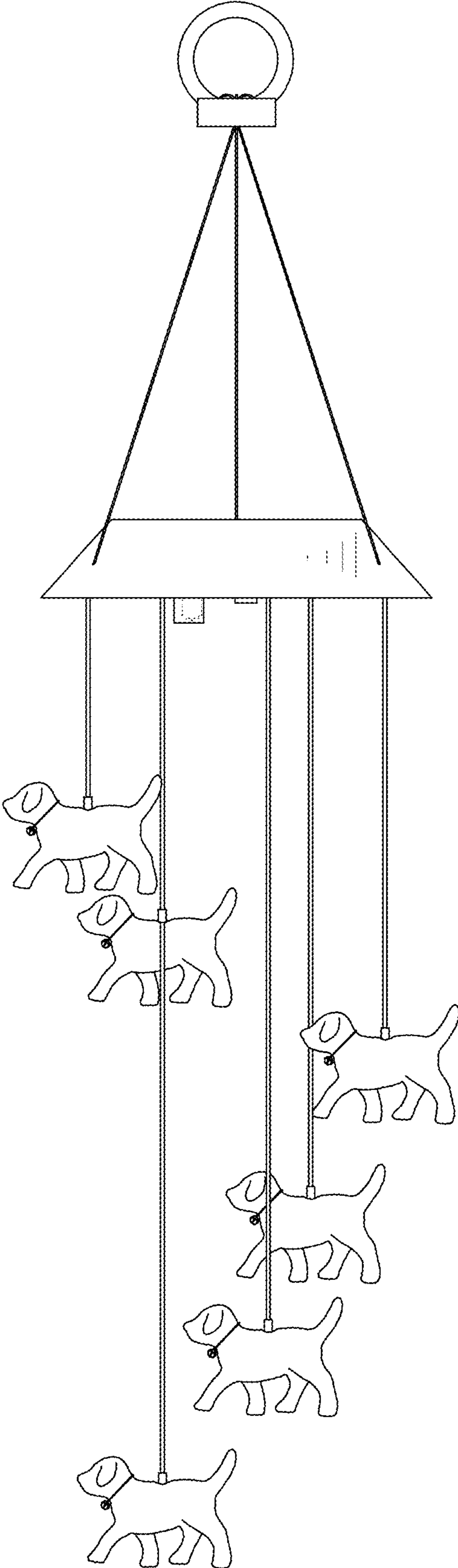


FIG. 4

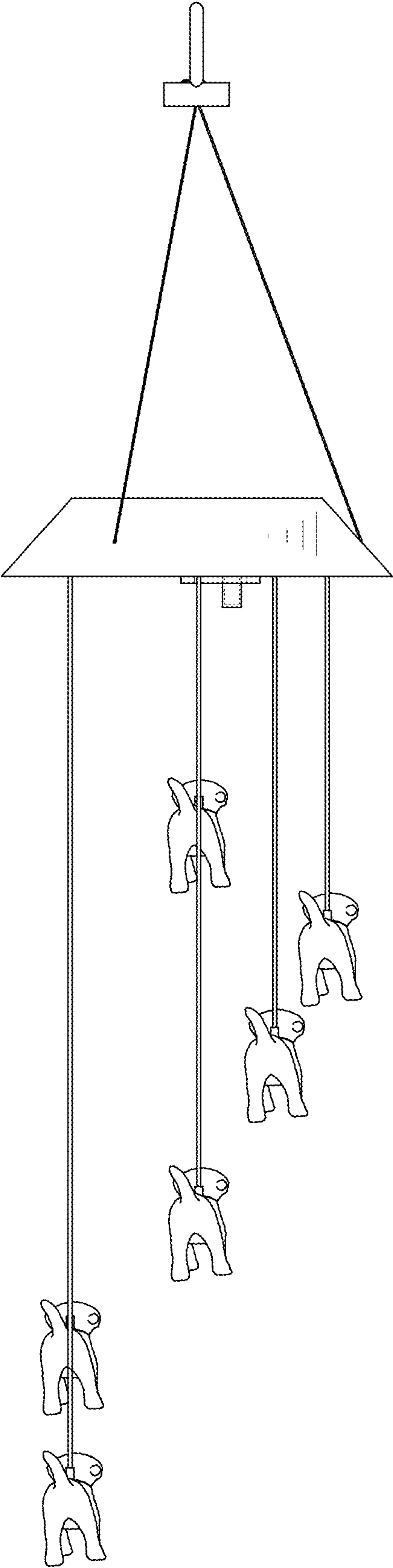


FIG. 5

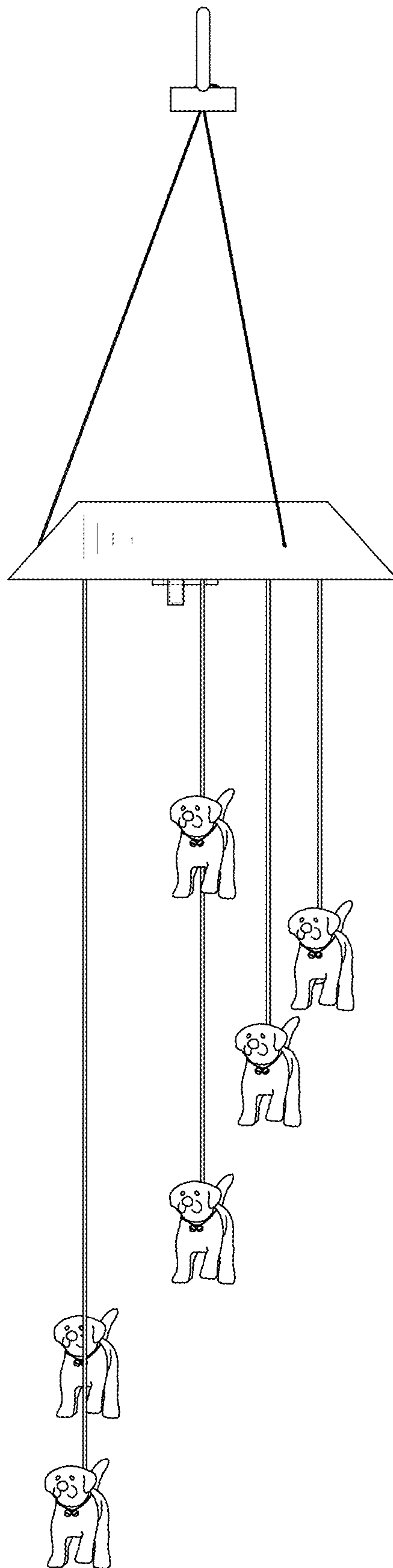


FIG. 6

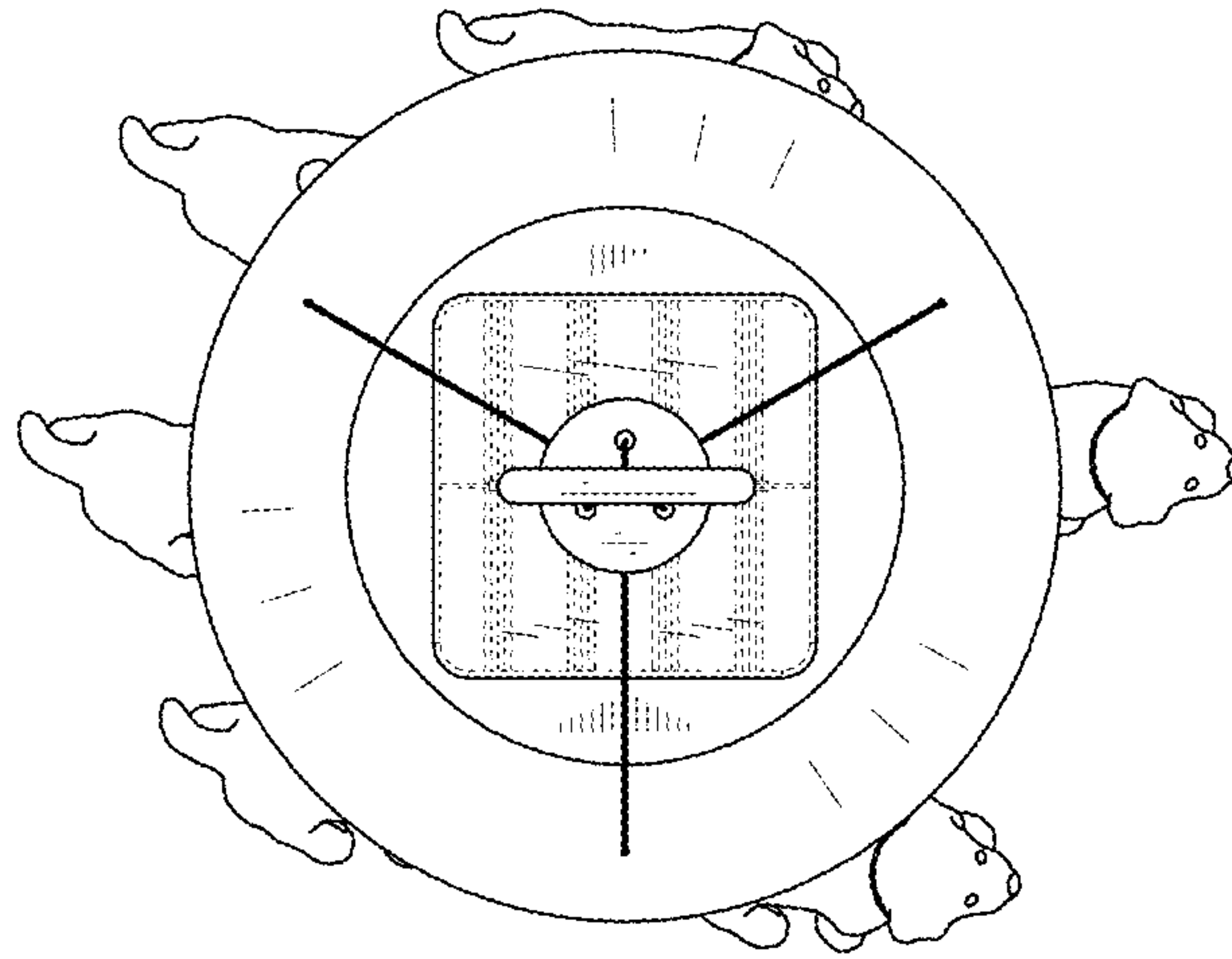


FIG. 7

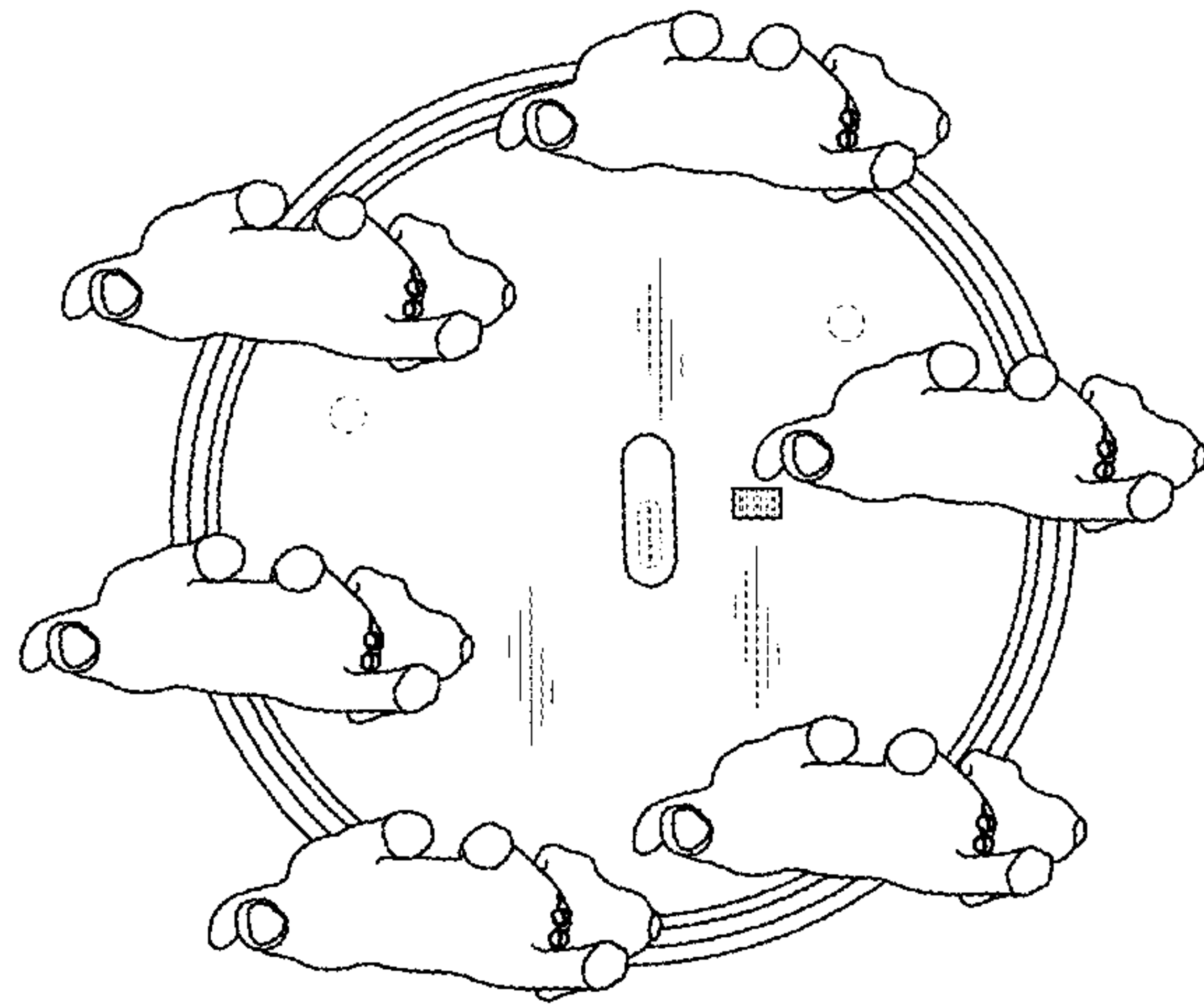


FIG. 8

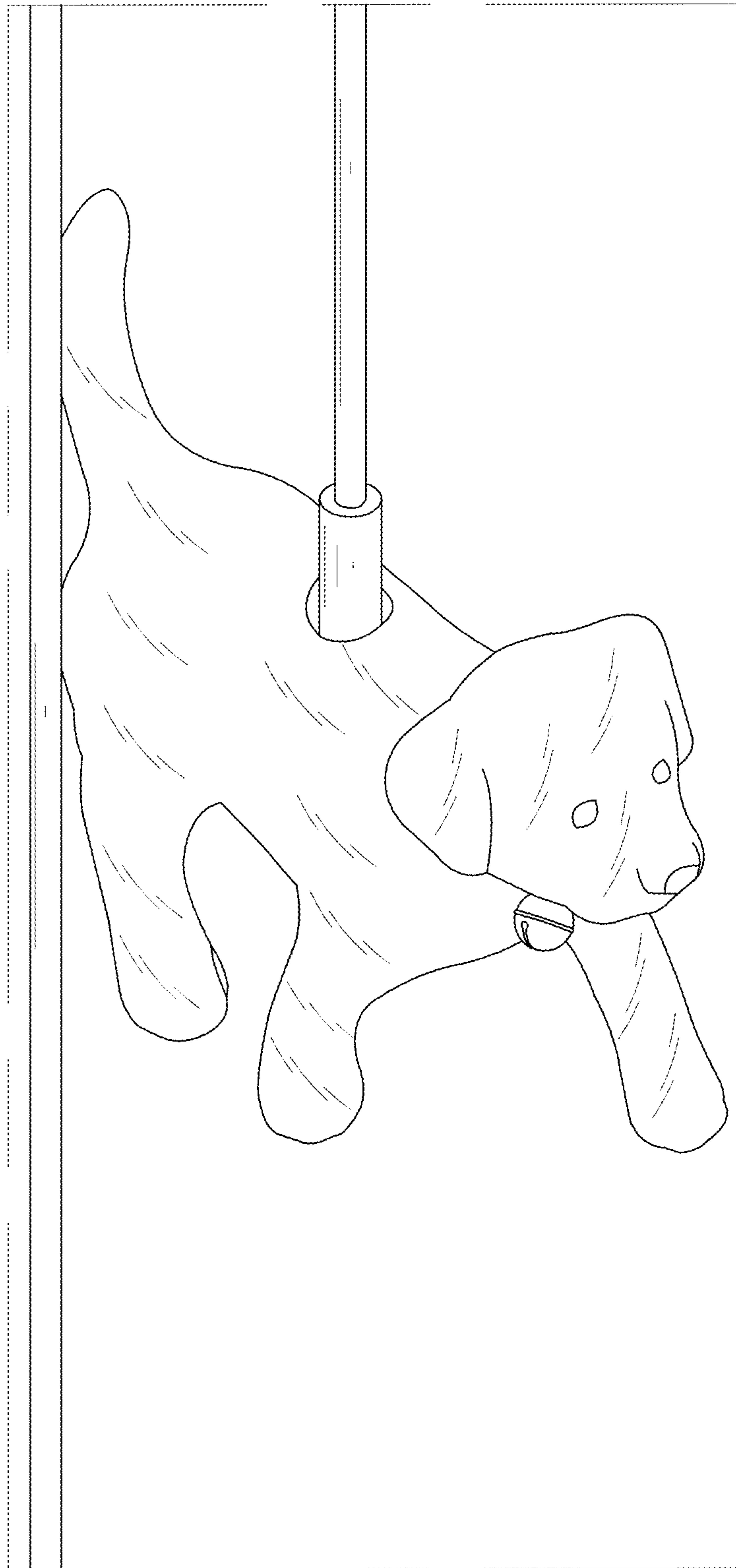


FIG. 9

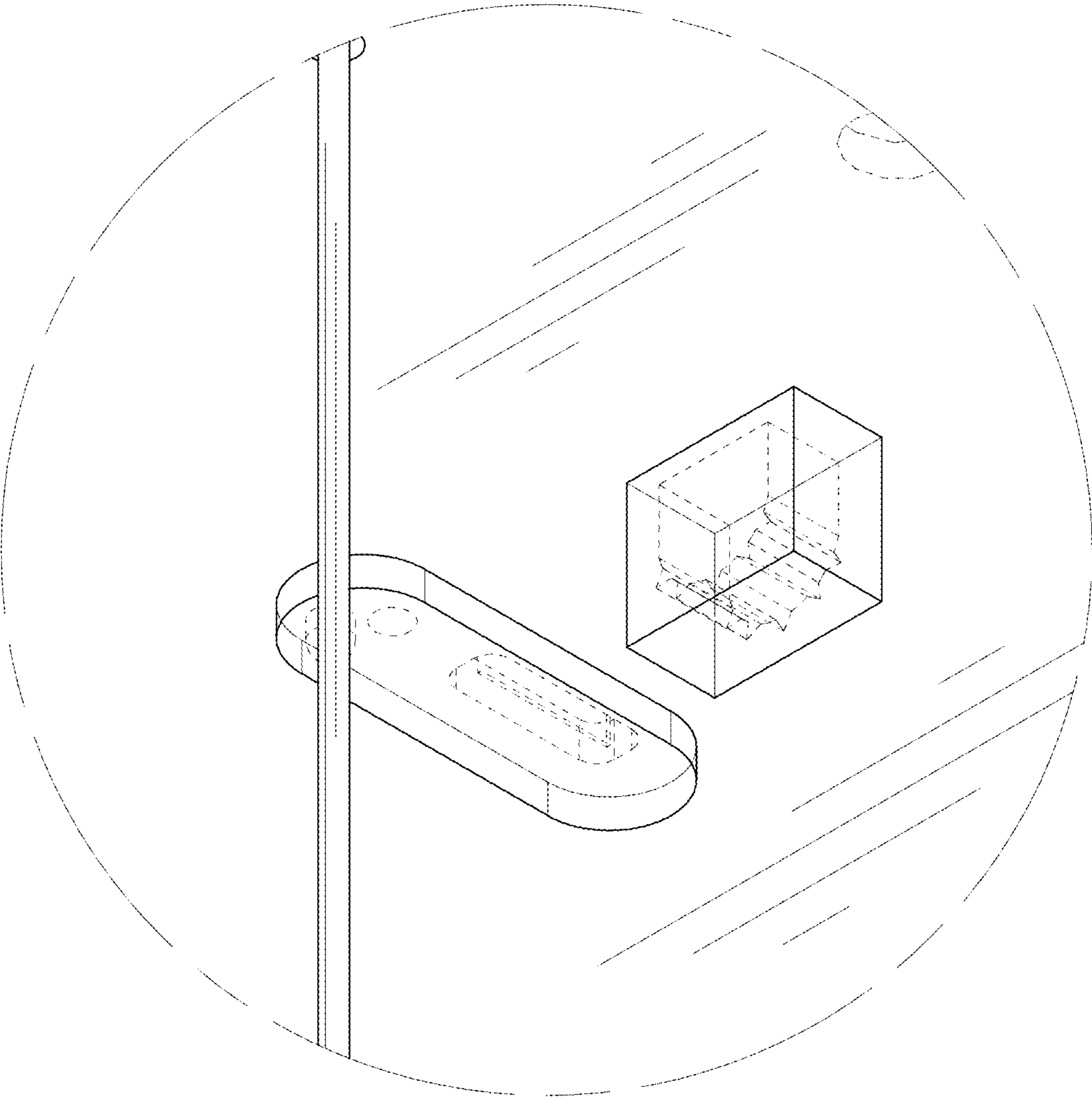


FIG. 10