



US00D974634S

(12) **United States Design Patent**  
**Hu et al.**

(10) **Patent No.:** **US D974,634 S**  
(45) **Date of Patent:** **\*\* Jan. 3, 2023**

(54) **AREA LIGHT FIXTURE WITH OCTAGONAL LENS**

(71) Applicant: **RAB Lighting Inc.**, Northvale, NJ (US)

(72) Inventors: **Jiang Hu**, Ningbo (CN); **Nicholas Calaceto**, Paramus, NJ (US); **Vincenzo Guercio**, Wallkill, NY (US)

(73) Assignee: **RAB Lighting Inc.**, New York, NY (US)

(\*\*) Term: **15 Years**

(21) Appl. No.: **29/783,427**

(22) Filed: **May 13, 2021**

**Related U.S. Application Data**

(62) Division of application No. 29/659,360, filed on Aug. 8, 2018, now Pat. No. Des. 921,264.

(51) **LOC (14) Cl.** ..... **26-05**

(52) **U.S. Cl.**  
USPC ..... **D26/71; D26/92**

(58) **Field of Classification Search**  
USPC ..... **D26/67-72, 92**  
CPC .. **F21S 8/085; F21S 8/086; F21S 8/088; F21S 9/022; F21S 9/025; F21S 9/035; F21W 2131/103; F21W 2131/107**

See application file for complete search history.

(56) **References Cited**

**U.S. PATENT DOCUMENTS**

3,636,339 A	1/1972	Osborne, Jr.
5,613,766 A	3/1997	Raouf
D391,382 S	2/1998	Rahn
D391,659 S	3/1998	Gaskins et al.
D404,841 S	1/1999	Compton
D407,836 S	4/1999	Leen
D434,515 S	11/2000	McNamara
D437,958 S	2/2001	Doron, Jr. et al.
D442,313 S	5/2001	Wojtkowiak et al.

6,527,422 B1	3/2003	Hutchison
D475,154 S	5/2003	Binsukor
D544,125 S	6/2007	Guercio
D545,471 S	6/2007	Guercio
D545,472 S	6/2007	Guercio
D545,987 S	7/2007	Guercio
D547,477 S	7/2007	Guercio
D547,478 S	7/2007	Guercio
D549,380 S	8/2007	Guercio

(Continued)

**FOREIGN PATENT DOCUMENTS**

CN 201582666 9/2010

**OTHER PUBLICATIONS**

Lithonia Lighting RSX1 LED Flat Panel Ceiling Fixture, ASIN: B07P7YF8YK. Available from amazon.om Feb. 27, 2019. (Year: 2019).\*

*Primary Examiner* — Clare E Heflin

(74) *Attorney, Agent, or Firm* — Innovation Law Office; Dennis S. Schell

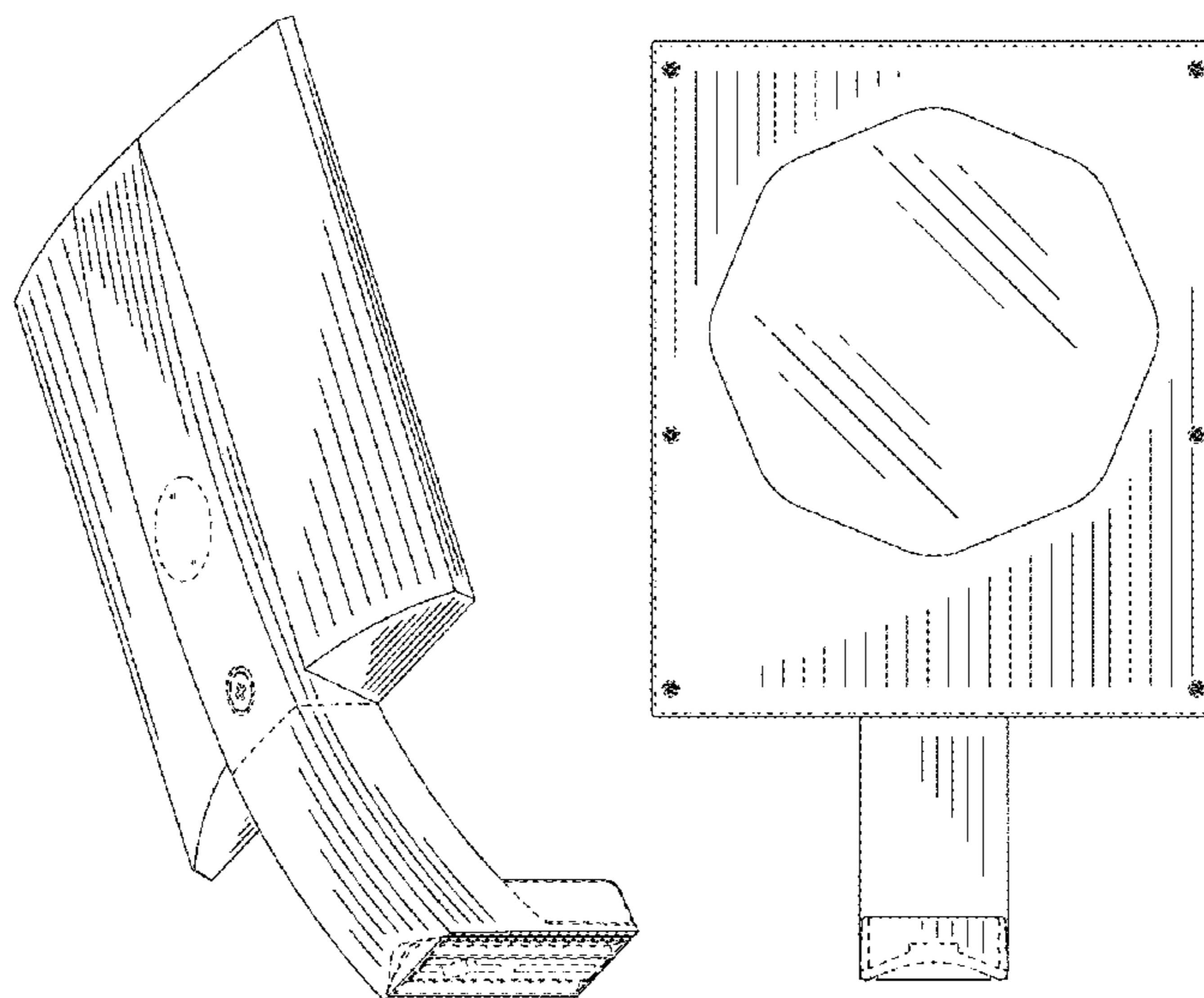
(57) **CLAIM**

The ornamental design for an area light fixture with octagonal lens, as shown and described.

**DESCRIPTION**

FIG. 1 is a top perspective view of the new design; FIG. 2 is a bottom perspective view of the new design; FIG. 3 is a top view of the new design; FIG. 4 is a bottom view of the new design; FIG. 5 is a right-side view of the new design, the left-side being a mirror image; FIG. 6 is a front view of the new design; and, FIG. 7 is a rear view of the new design. The broken lines are directed to environment and are for illustrative purposes only; the broken lines form no part of the claimed design.

**1 Claim, 6 Drawing Sheets**



(56)

References Cited

U.S. PATENT DOCUMENTS

D550,387 S	9/2007	Guercio	D636,524 S	4/2011	Lin	
D550,392 S	9/2007	Guercio	D636,920 S	4/2011	Boissevain	
D552,282 S	10/2007	Guercio	D641,908 S	7/2011	McKee	
D552,283 S	10/2007	Guercio	D647,662 S	10/2011	Verelst et al.	
D552,778 S	10/2007	Butler	D648,884 S	11/2011	Tortel	
D565,223 S	3/2008	Guercio	D648,885 S	11/2011	Toratani	
D565,772 S	4/2008	Guercio	D660,496 S	5/2012	Akdag et al.	
D567,980 S	4/2008	Guercio	D668,370 S	10/2012	Guercio et al.	
D570,024 S	5/2008	Guercio	D674,950 S	1/2013	Lueken et al.	
D572,396 S	7/2008	Guercio	D689,233 S *	9/2013	Boissevain .....	D26/92
D573,288 S	7/2008	Xu et al.	D754,385 S	4/2016	Hunt, III et al.	
7,434,959 B1	10/2008	Wang	D819,859 S	6/2018	Zou et al.	
D587,839 S	3/2009	Guercio	D843,628 S	3/2019	Compton et al.	
D592,346 S	5/2009	Gill	D844,879 S	4/2019	Yu	
D603,077 S	10/2009	Kinnune et al.	D921,264 S *	6/2021	Hu .....	D26/92
D614,336 S	4/2010	Zheng et al.	D929,639 S *	8/2021	Duckworth .....	D26/92
D621,988 S	8/2010	Zheng et al.	2009/0196037 A1	8/2009	Xiao et al.	
D622,433 S	8/2010	Waters	2010/0238671 A1	9/2010	Catone et al.	
7,832,898 B2	11/2010	Li	2010/0296287 A1	11/2010	Huang	
D630,790 S	1/2011	Josefowicz et al.	2011/0013397 A1 *	1/2011	Catone .....	F21V 19/0055 362/244
D634,873 S	3/2011	Guercio	2011/0110081 A1	5/2011	Belknap et al.	
D634,878 S	3/2011	Guercio et al.	2017/0030570 A1	2/2017	Yang et al.	
			2017/0307197 A1	10/2017	Clark et al.	

\* cited by examiner

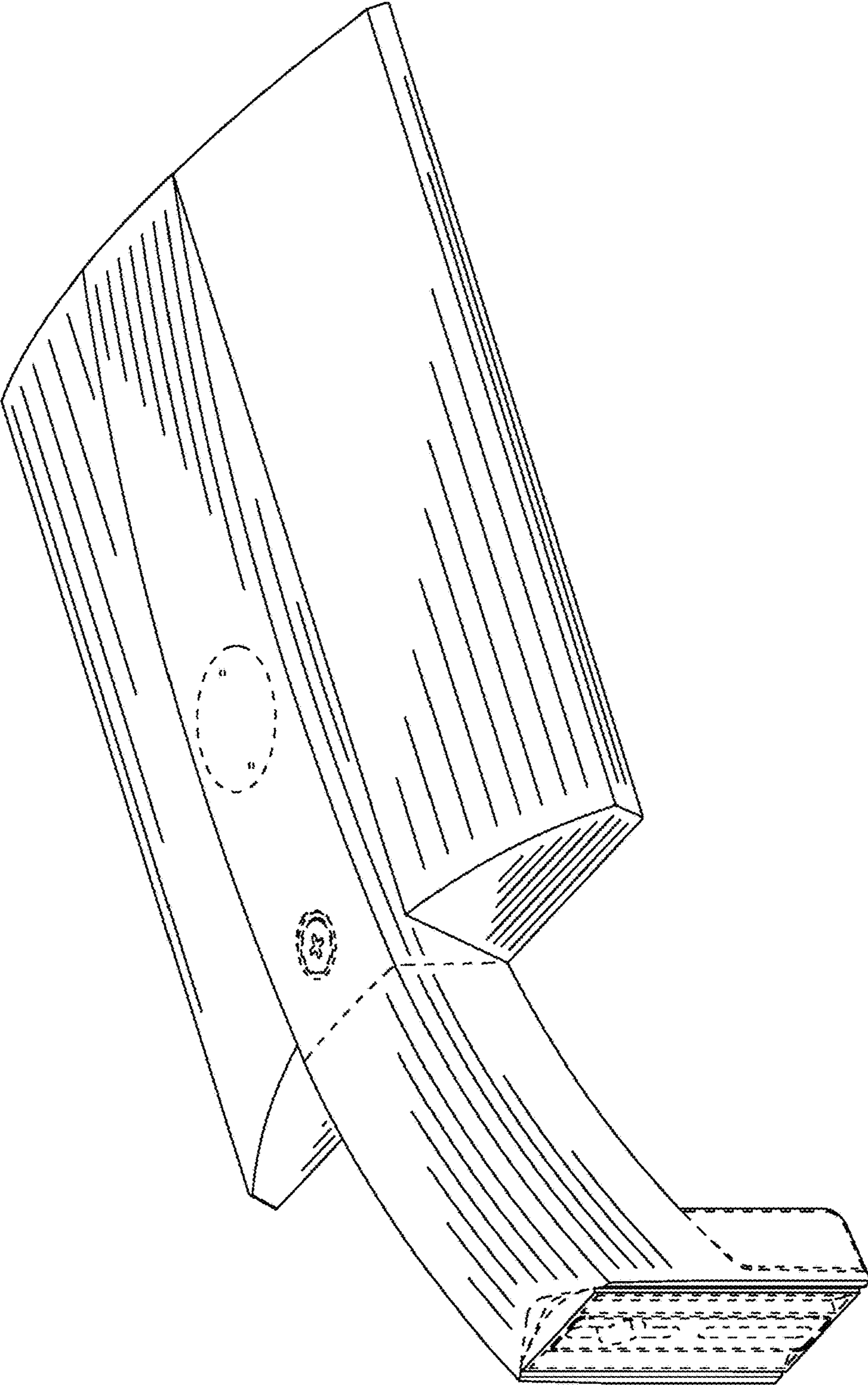


FIG. 1

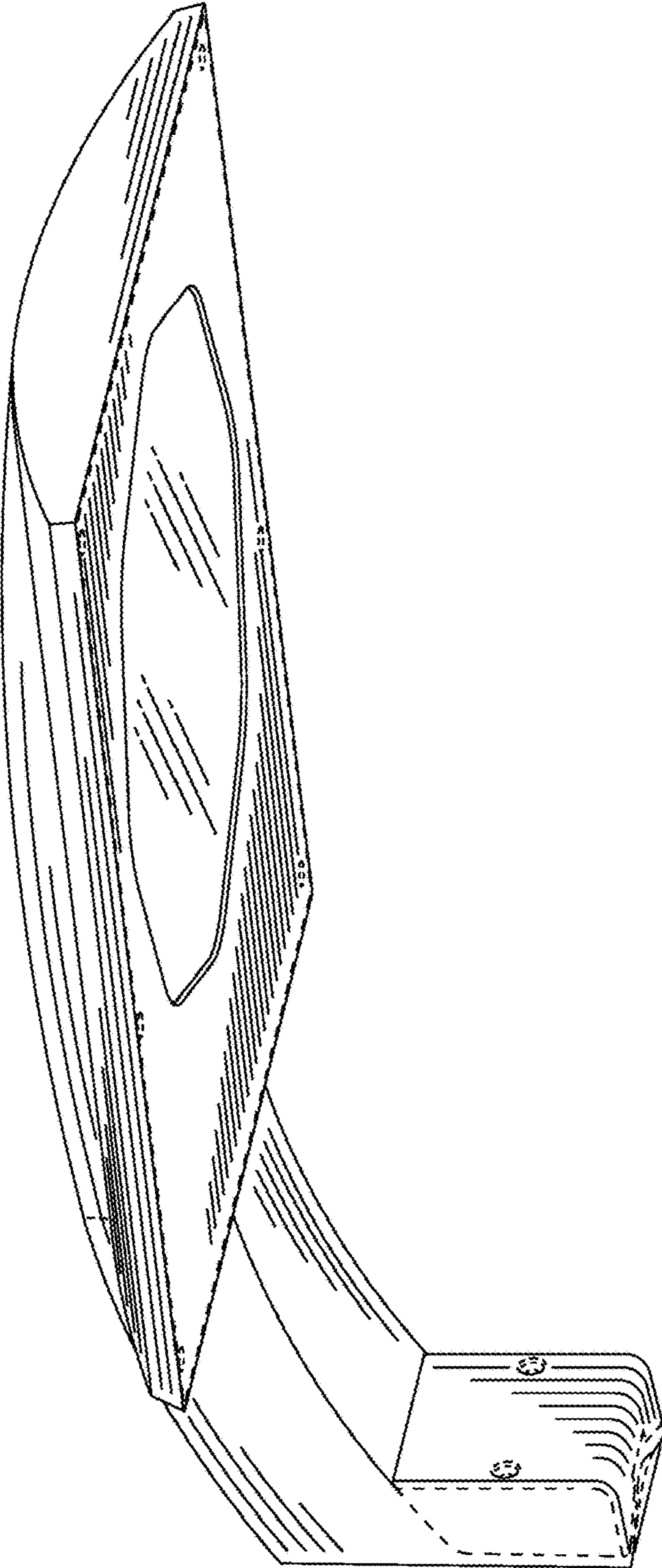


FIG. 2

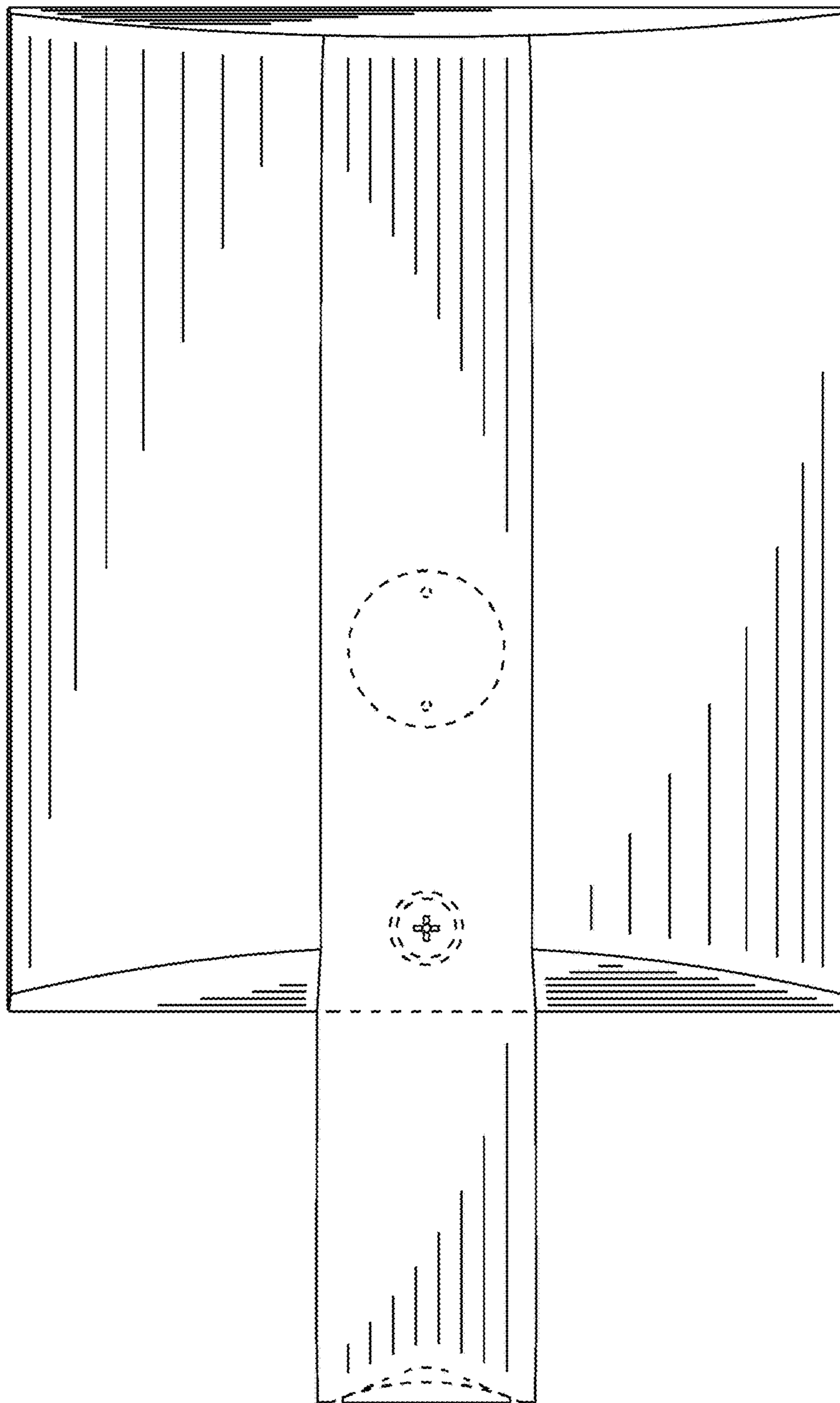


FIG. 3

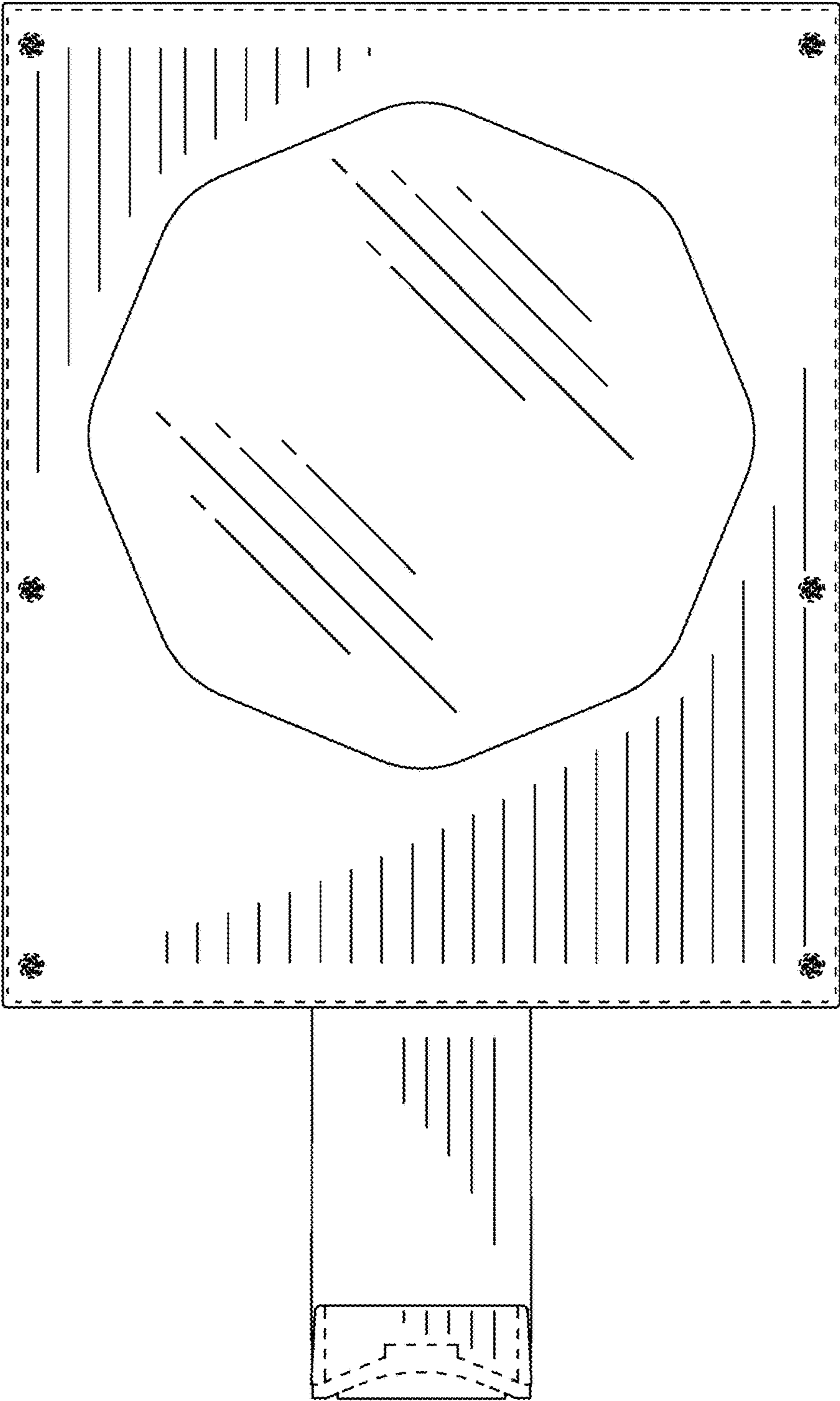


FIG. 4

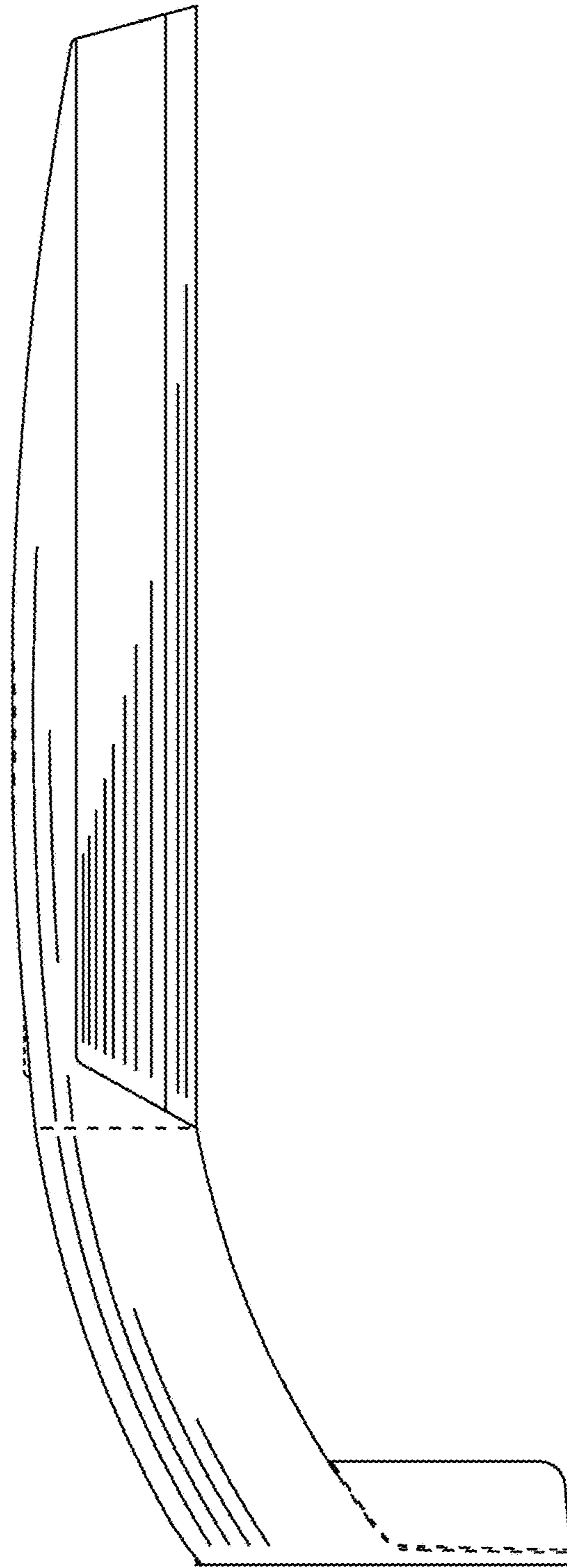


FIG. 5

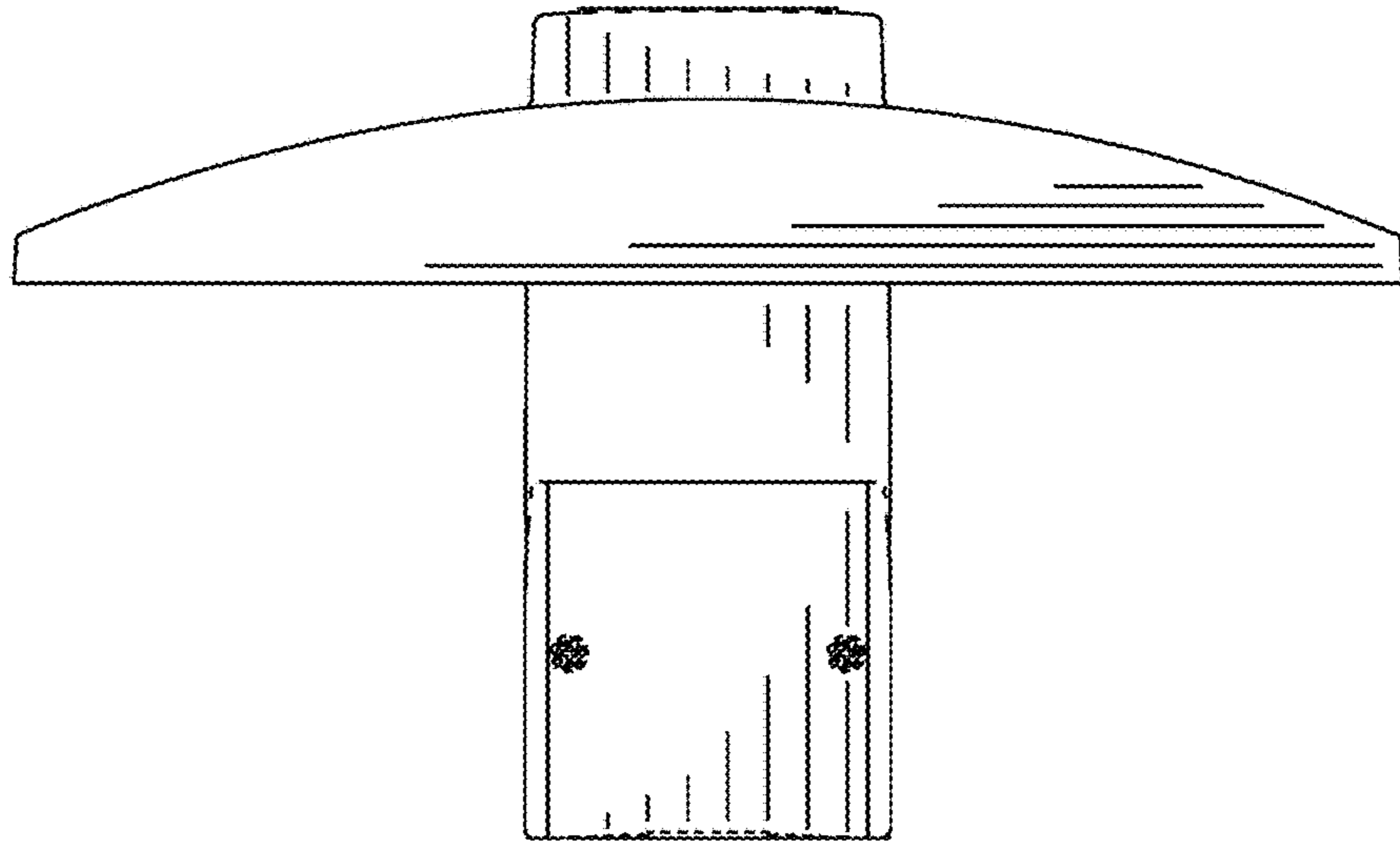


FIG. 6

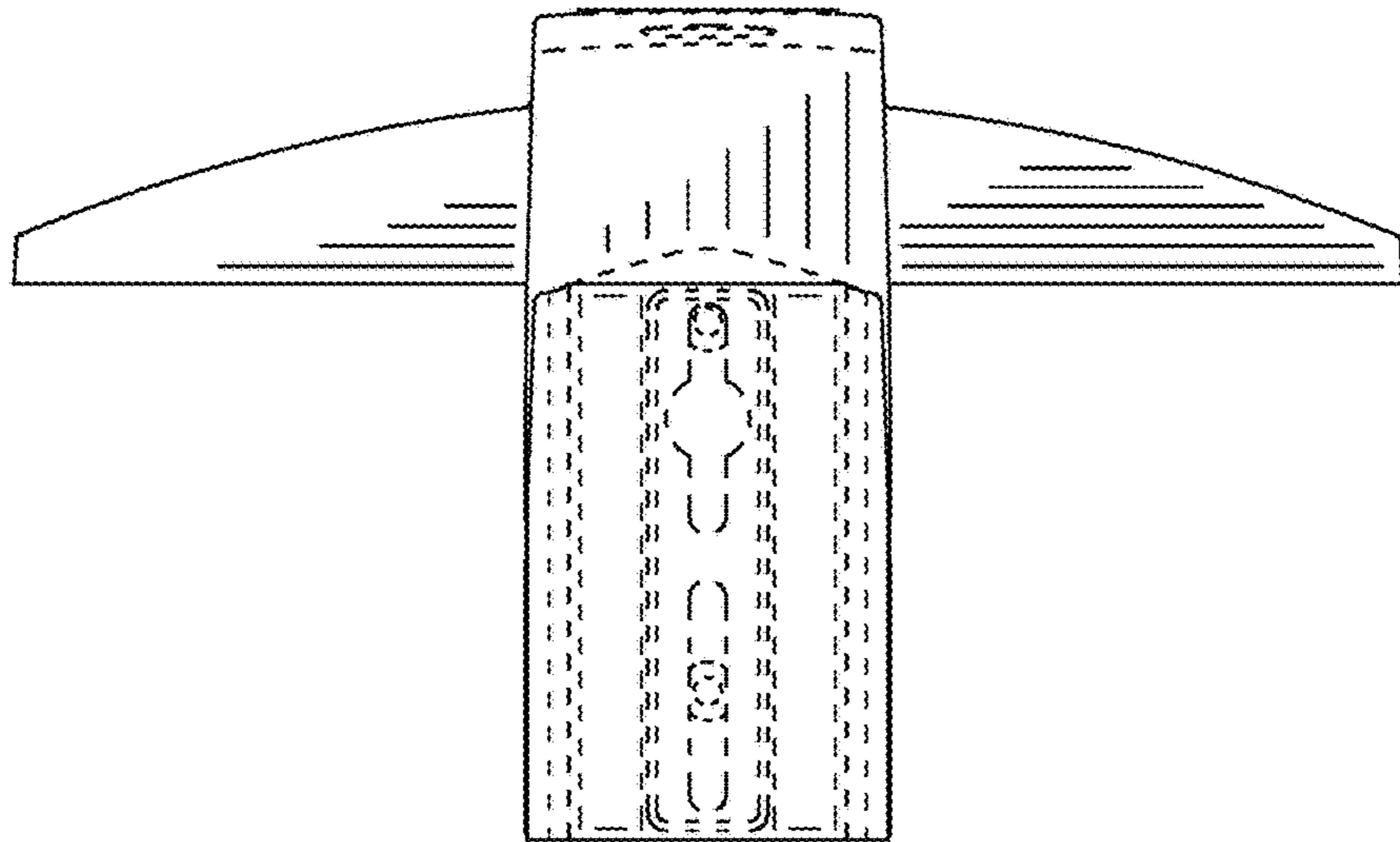


FIG. 7