



US00D974632S

(12) **United States Design Patent**
Wu

(10) **Patent No.:** **US D974,632 S**
(45) **Date of Patent:** **** Jan. 3, 2023**

(54) **SOLAR LIGHT**

- (71) Applicant: **Beier Wu**, Zhejiang Province (CN)
- (72) Inventor: **Beier Wu**, Zhejiang Province (CN)
- (**) Term: **15 Years**
- (21) Appl. No.: **29/810,976**
- (22) Filed: **Oct. 11, 2021**
- (51) **LOC (14) Cl.** **26-05**
- (52) **U.S. Cl.**
USPC **D26/67**
- (58) **Field of Classification Search**
USPC D26/67-70, 85
CPC F21S 8/03; F21S 8/033; F21S 8/036; F21S 8/081; F21S 9/037; F21W 2111/02; F21W 2111/023; F21W 2131/109
See application file for complete search history.

(56) **References Cited**

U.S. PATENT DOCUMENTS

D445,937 S *	7/2001	Sanoner	D26/68
D507,069 S *	7/2005	Sanoner	D26/68
D553,284 S *	10/2007	Bucher	D26/67
D563,015 S *	2/2008	Lee	D26/67
D756,015 S *	5/2016	Sooferian	D26/68
D822,866 S *	7/2018	Chen	D26/67
D851,315 S *	6/2019	Chen	D26/121
D880,037 S *	3/2020	Zhang	D26/40
D885,632 S	5/2020	Chen	
D885,636 S *	5/2020	Chen	D26/85
D899,659 S *	10/2020	Wang	D26/67
D944,436 S *	2/2022	Li	D26/67
2007/0285023 A1 *	12/2007	Cooper	F21L 4/00 362/183

OTHER PUBLICATIONS

- Alpine Solar Stainless Steel LED Pathway Light, Product ID: QLP638BB. Available from gardenandponddepot.com, visited Sep. 16, 2022. (Year: 2022).*
- OEM Water Resistant Exterior Decoration Solar Led Square Pathway Outdoor Light , Model No. JL-8553. Available from alibaba.com, visited Sep. 16, 2022. (Year: 2022).*
- Roshwey Outdoor Solar Lights, ASIN: B09ZL7DK43. Available from amazon.com May 5, 2022. (Year: 2022).*
- BBSS Outdoor Electric Solar LED Ground Plug Light, ASIN: B09MQPHSD. Available from amazon.com Nov. 29, 2021. (Year: 2021).*

* cited by examiner

Primary Examiner — Clare E Heflin

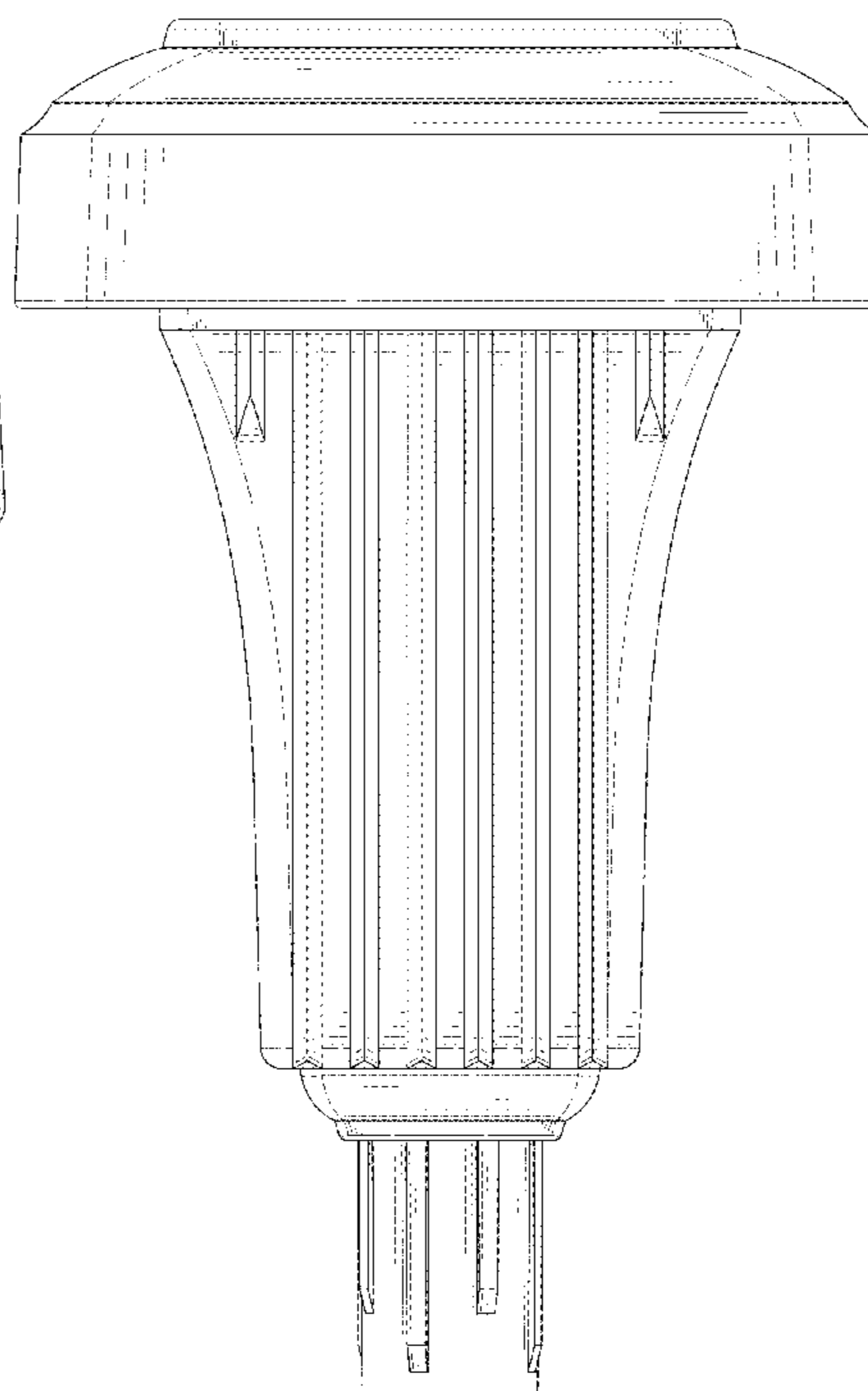
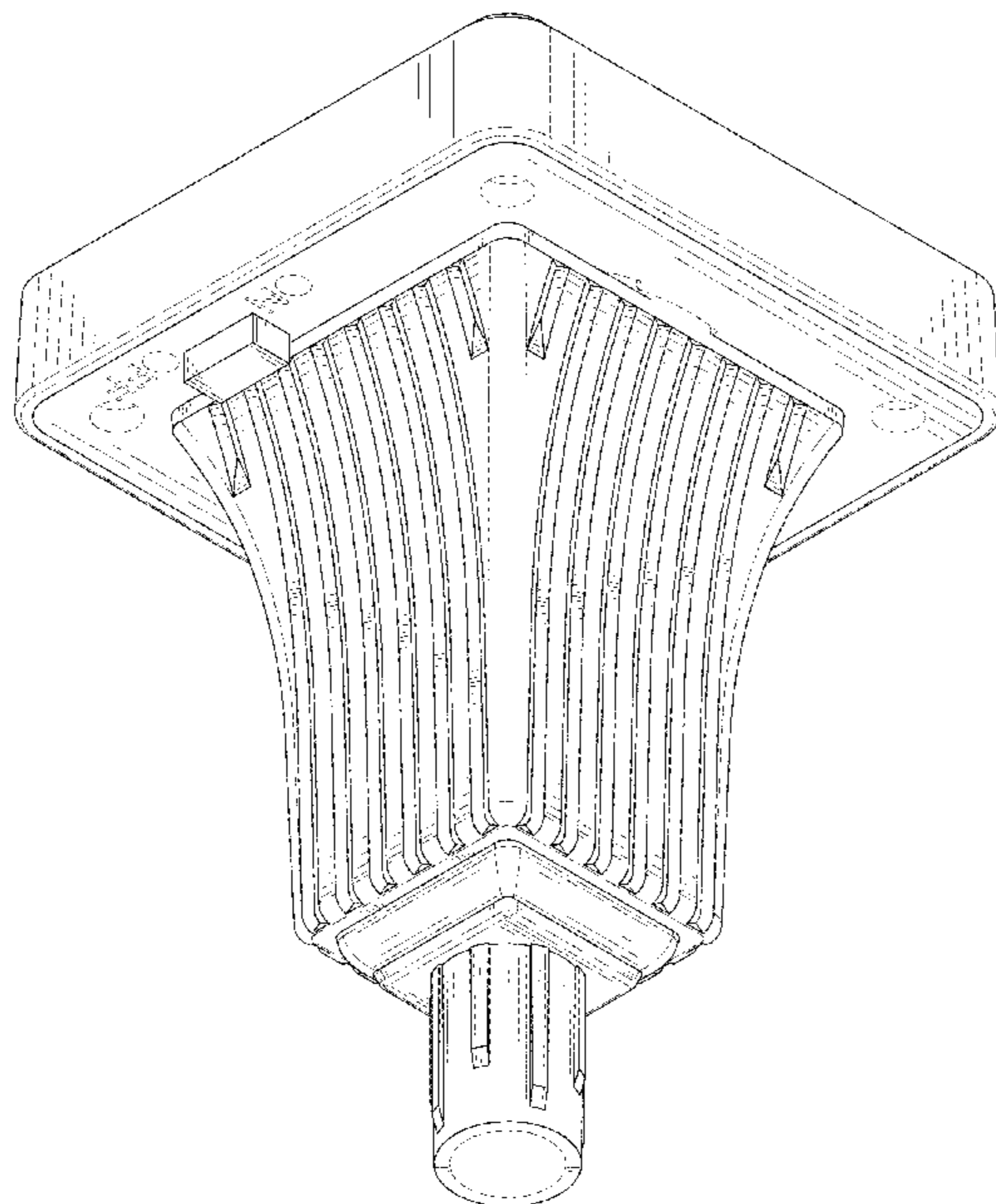
(57) **CLAIM**

The ornamental design for a solar light, as shown and described.

DESCRIPTION

FIG. 1 is a front and top perspective view of a solar light, showing my new design;
 FIG. 2 is a rear and bottom perspective view thereof;
 FIG. 3 is a front elevation view thereof;
 FIG. 4 is a rear elevation view thereof;
 FIG. 5 is a left side elevation view thereof;
 FIG. 6 is a right side elevation view thereof;
 FIG. 7 is a top plan view thereof; and,
 FIG. 8 is a bottom plan view thereof.
 The broken lines in the figures illustrate portions of the solar light that form no part of the claimed design.

1 Claim, 8 Drawing Sheets



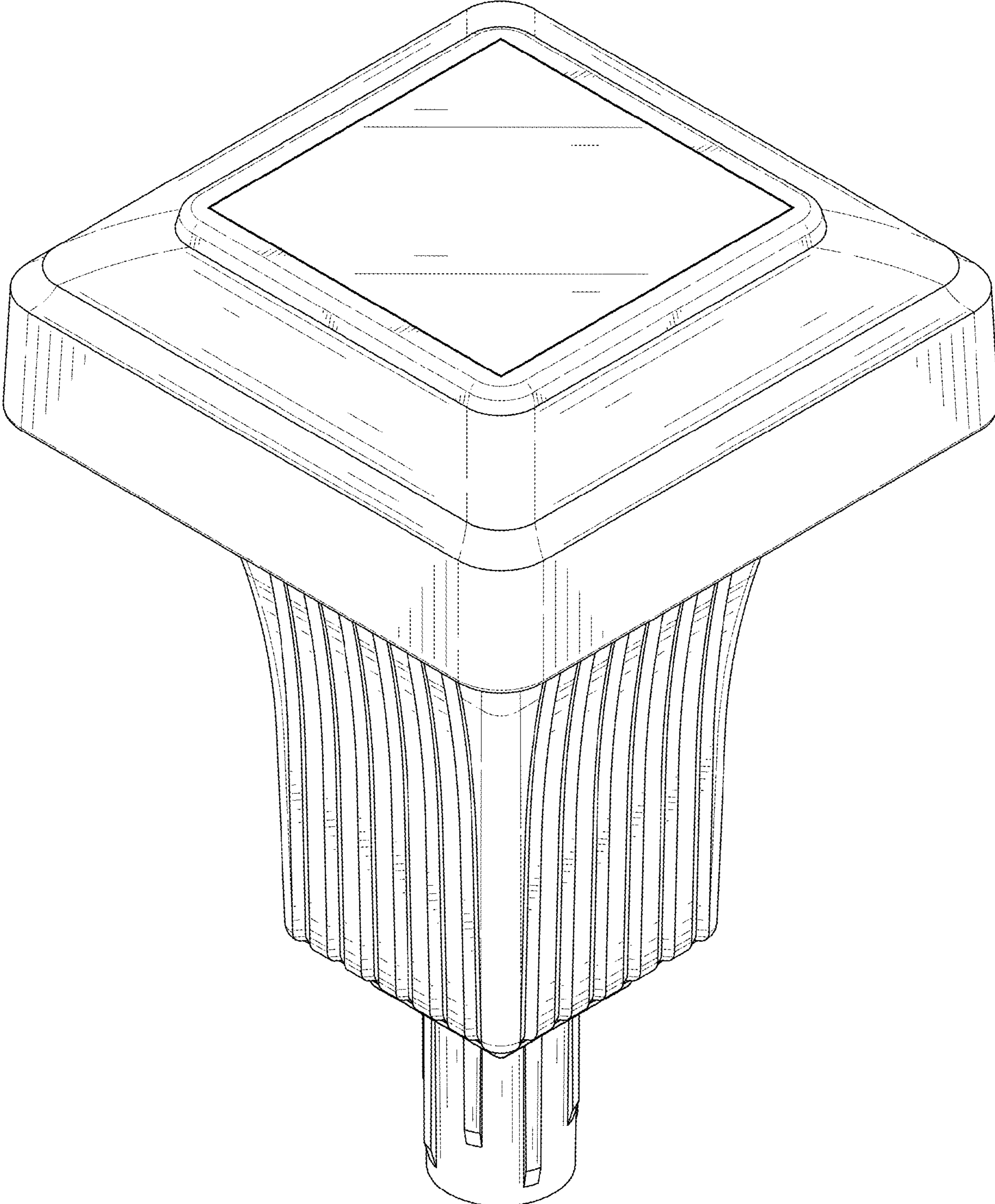


FIG. 1

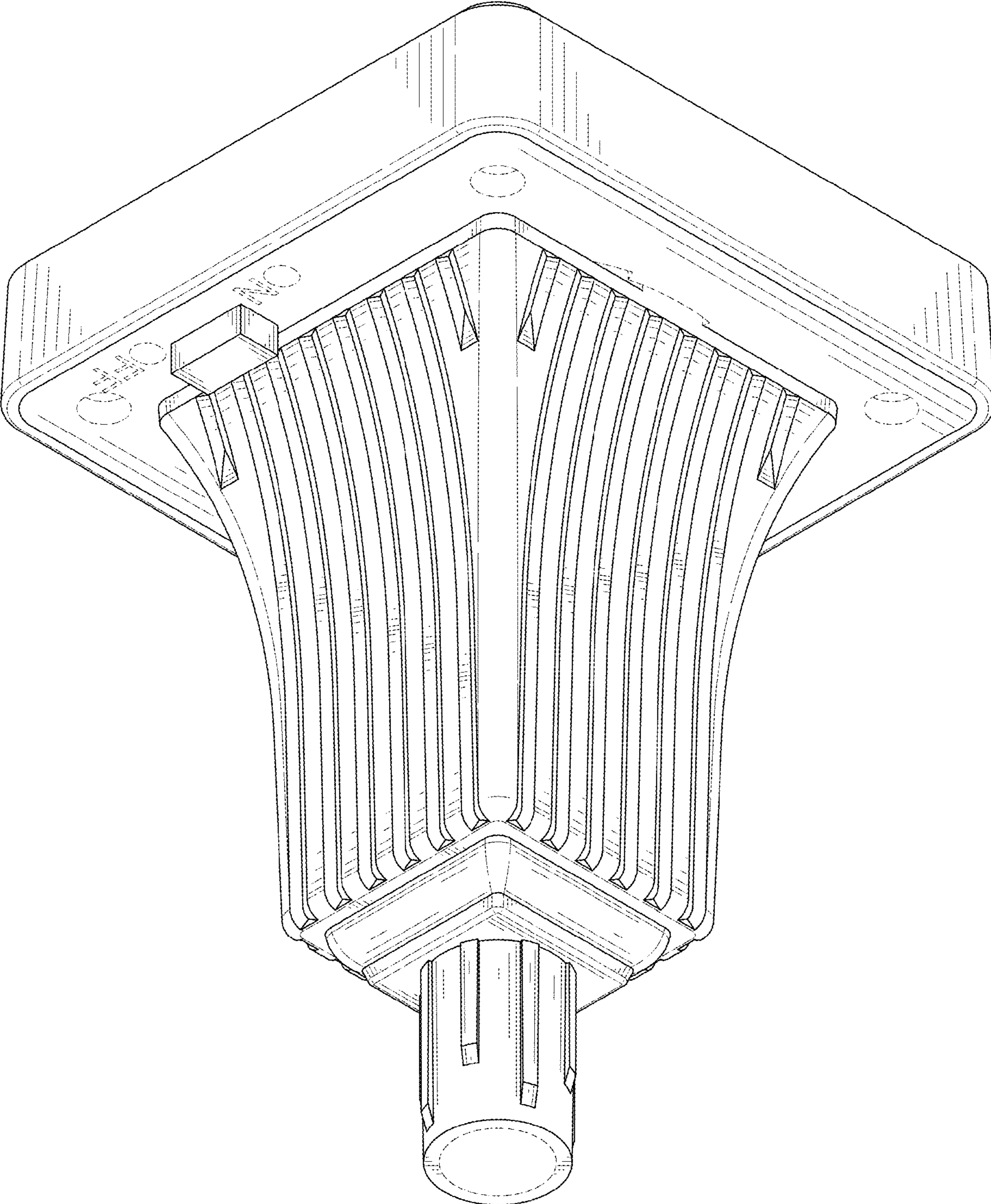


FIG. 2

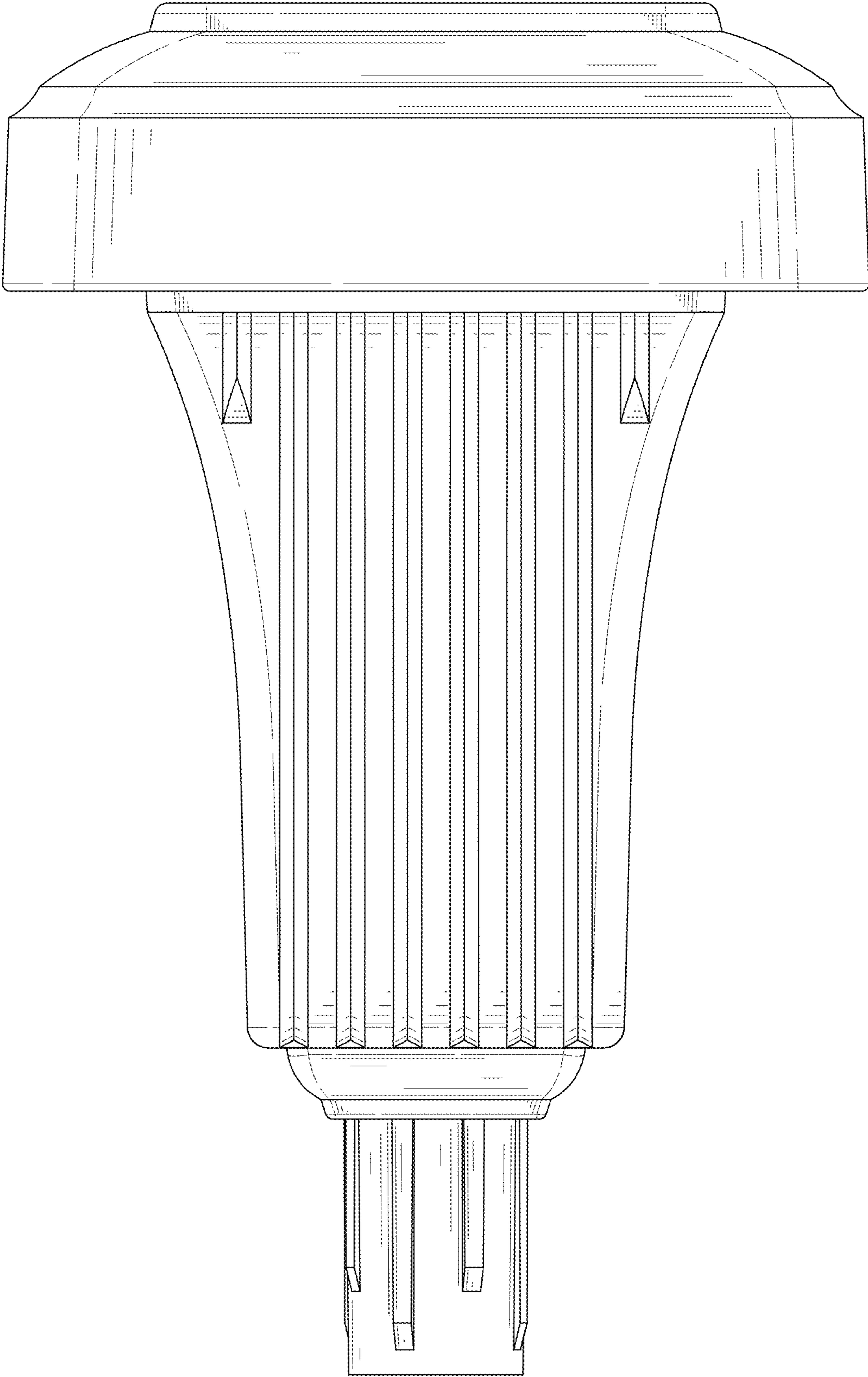


FIG. 3

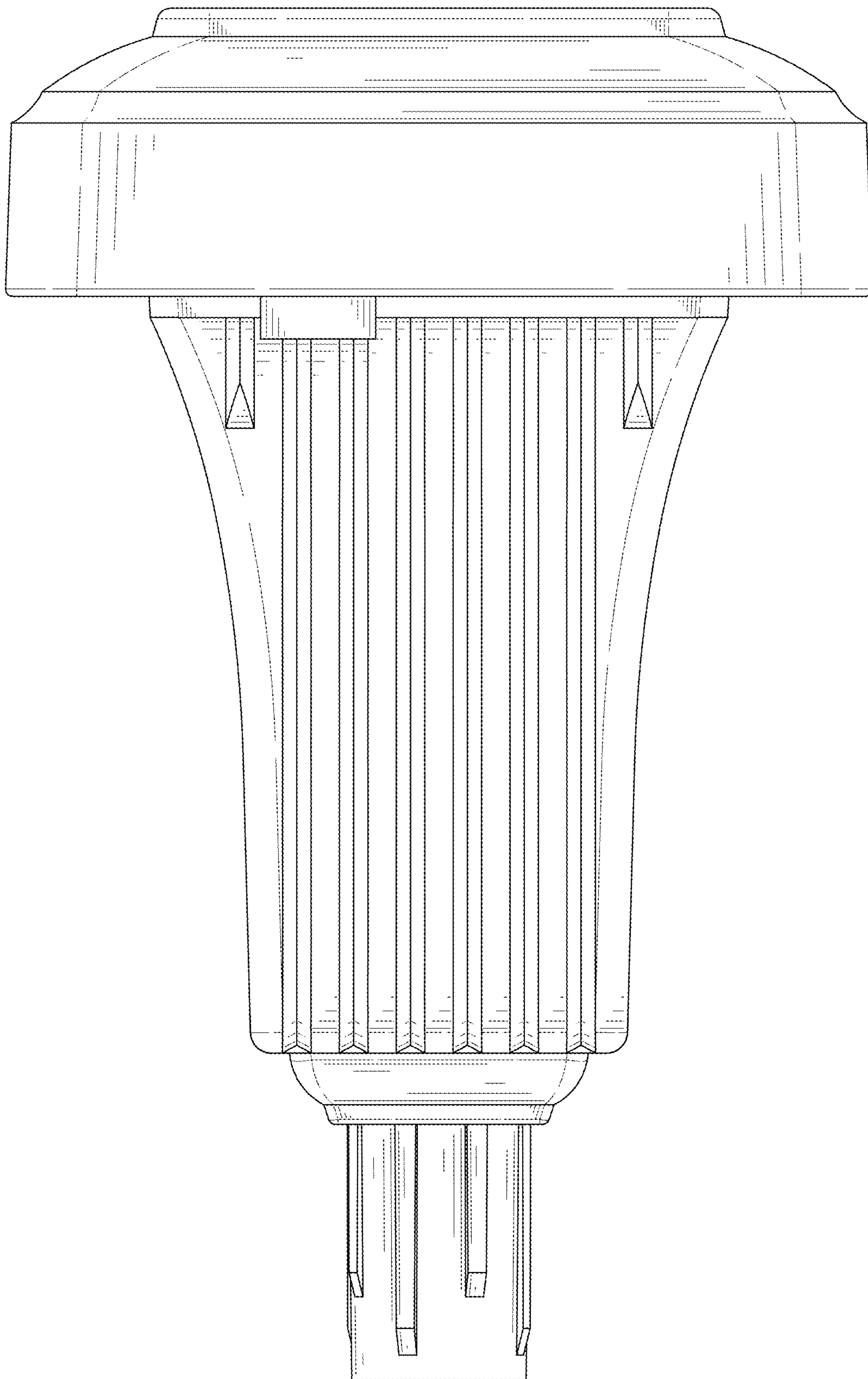


FIG. 4

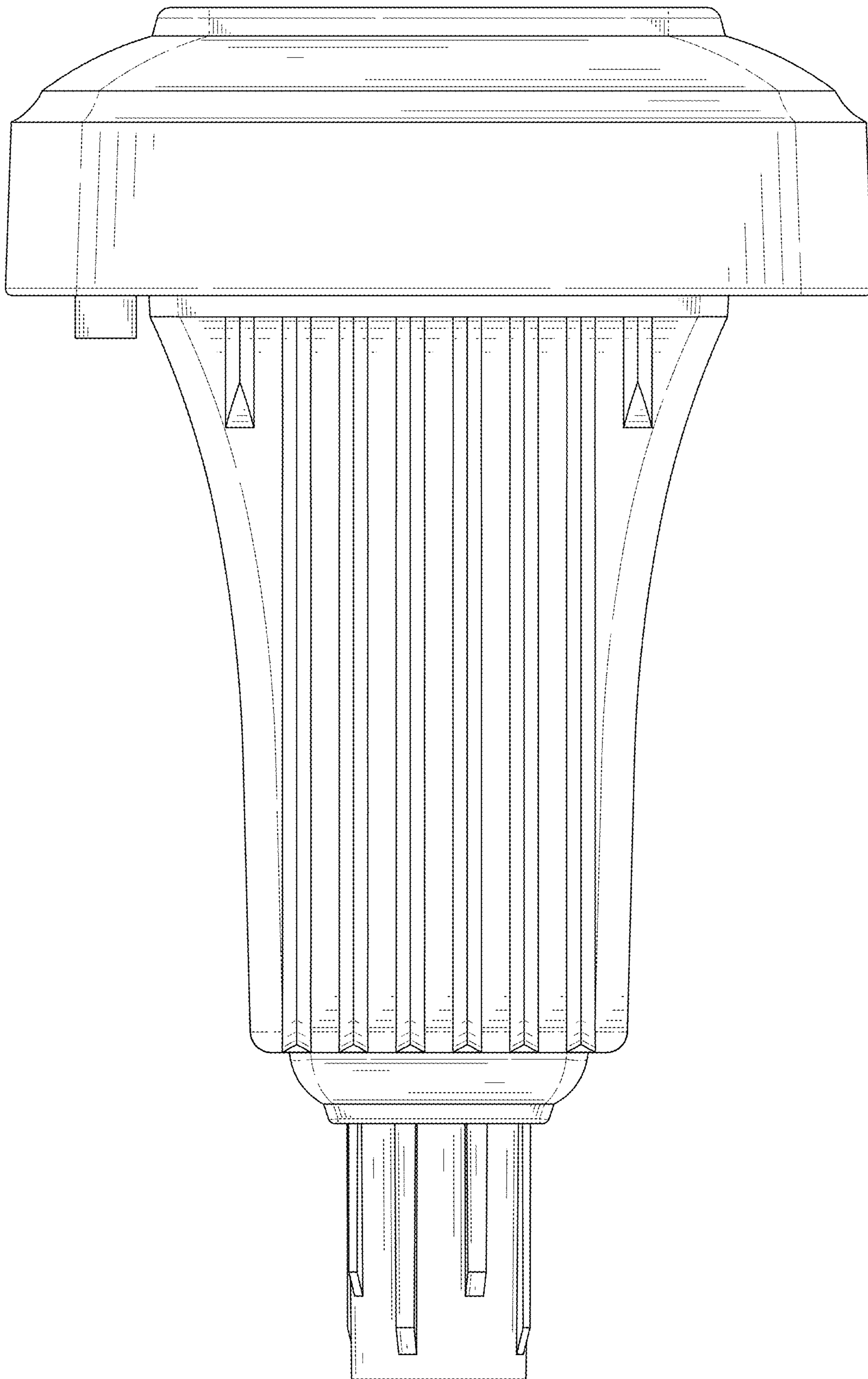


FIG. 5

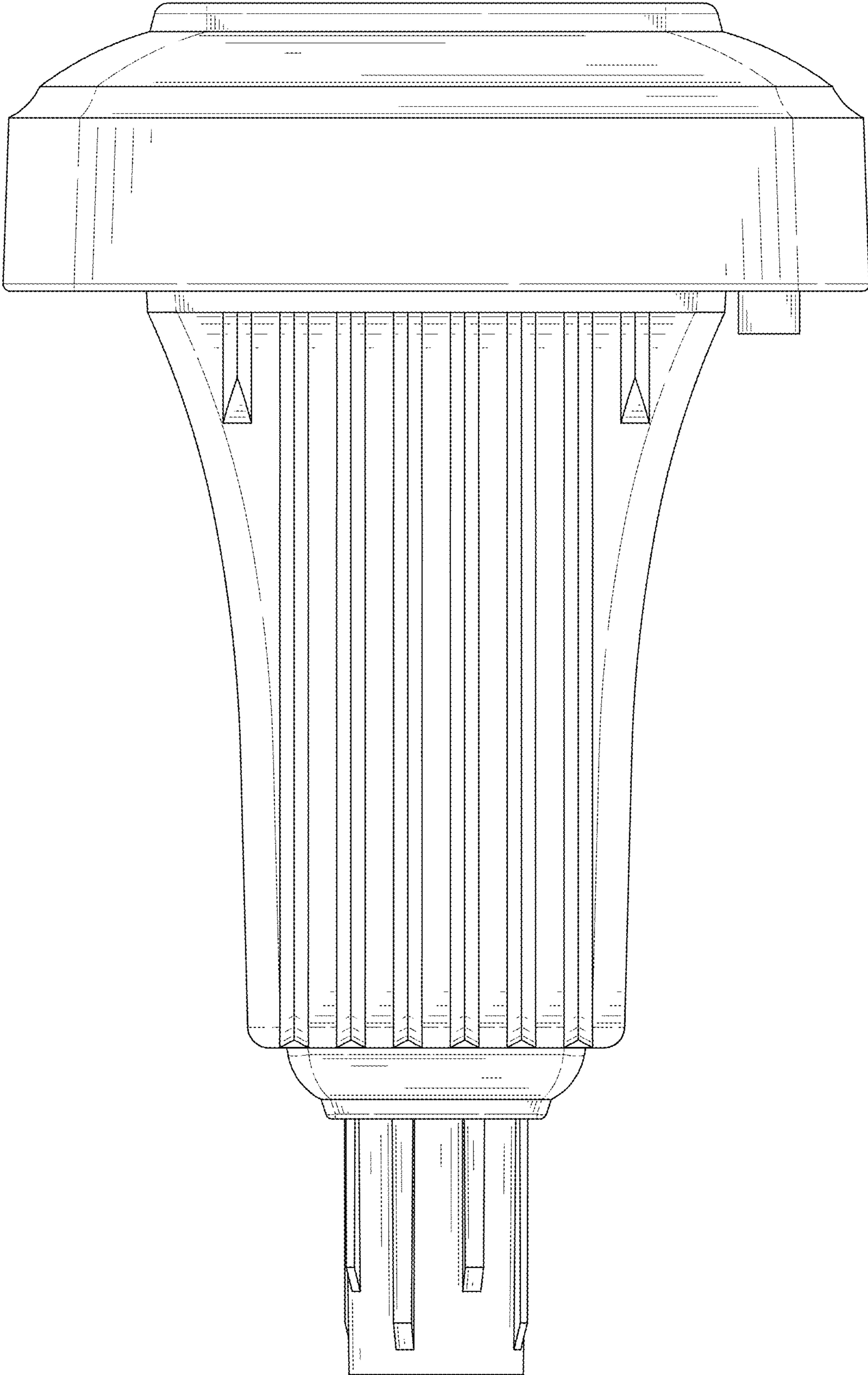


FIG. 6

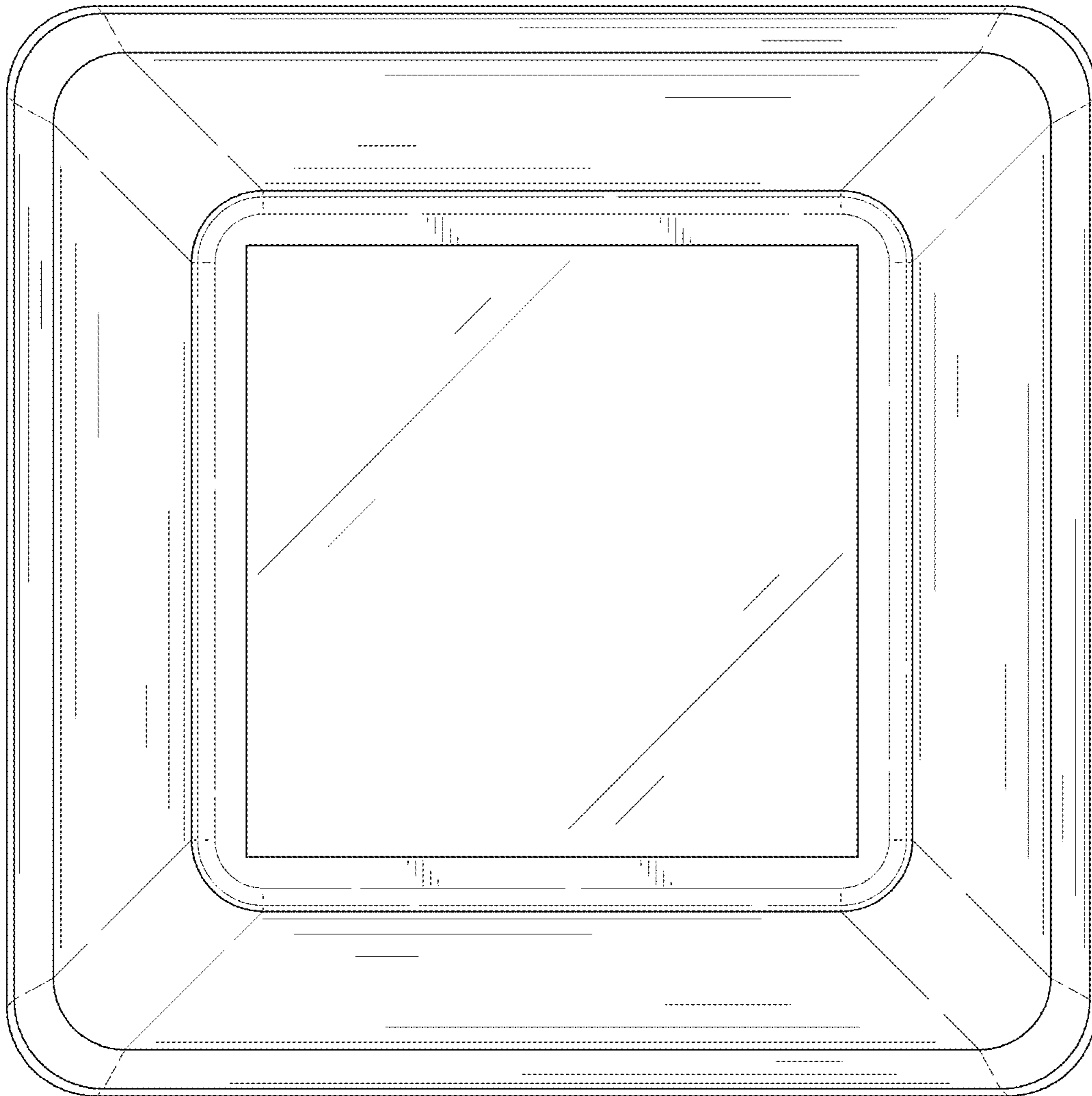


FIG. 7

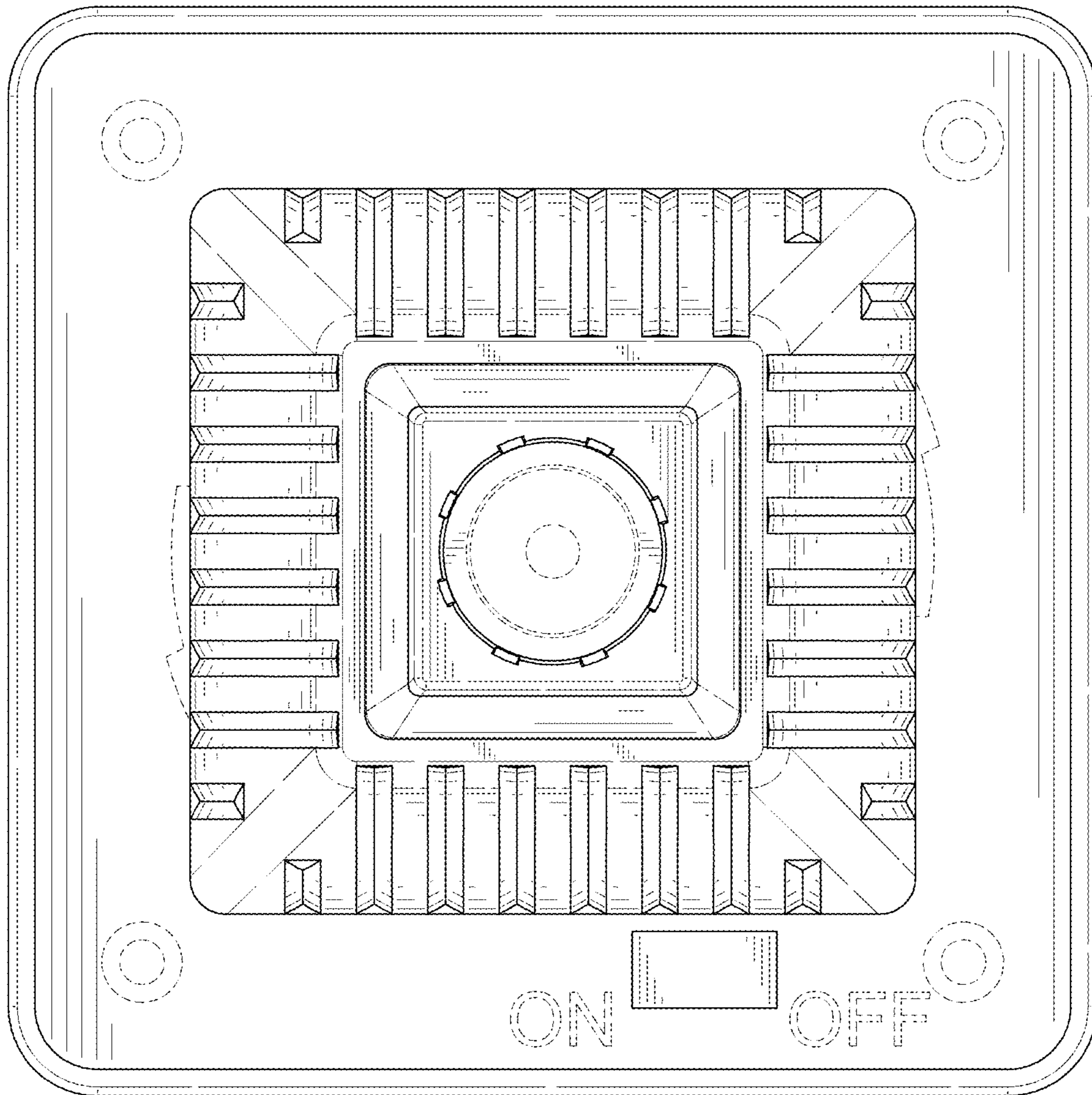


FIG. 8