



US00D974631S

(12) **United States Design Patent**  
**Zhao**

(10) **Patent No.:** **US D974,631 S**  
(45) **Date of Patent:** **\*\* Jan. 3, 2023**

(54) **SOLAR OUTDOOR LIGHT**

(71) Applicant: **Shenzhen Sonida Digital Technology Co., Ltd.**, Shenzhen (CN)

(72) Inventor: **Kundian Zhao**, Guangdong (CN)

(73) Assignee: **Shenzhen Sonida Digital Technology Co., Ltd.**, Shenzhen (CN)

(\*\*) Term: **15 Years**

(21) Appl. No.: **29/799,059**

(22) Filed: **Jul. 12, 2021**

(51) **LOC (14) Cl.** ..... **25-03**

(52) **U.S. Cl.**  
USPC ..... **D26/67**; D26/63

(58) **Field of Classification Search**  
USPC ..... D26/63, 67-70, 85  
CPC .. F21S 8/032; F21S 8/081; F21S 8/083; F21S 8/085; F21S 8/086; F21S 8/088; F21S 9/032; F21S 9/035; F21S 9/037; F21V 21/0824; F21W 2111/02; F21W 2111/023; F21W 2131/107; F21W 2131/109  
See application file for complete search history.

(56) **References Cited**

**U.S. PATENT DOCUMENTS**

D839,472 S *	1/2019	Hu	.....	D26/118
D852,398 S *	6/2019	Liu	.....	D26/63
D875,289 S *	2/2020	Hu	.....	D26/63
D887,059 S *	6/2020	Liu	.....	D26/63
D903,921 S *	12/2020	Zhuo	.....	D26/63
D905,312 S *	12/2020	Zhuo	.....	D26/63
D921,261 S *	6/2021	Qiu	.....	D26/67
D922,646 S *	6/2021	Huang	.....	D26/63
D923,225 S *	6/2021	Hu	.....	D26/63
D923,226 S *	6/2021	Hu	.....	D26/63
D923,845 S *	6/2021	Kong	.....	D26/63

(Continued)

**OTHER PUBLICATIONS**

Nzdfh, Solar Spotlight. First available Mar. 27, 2022. Searched on Oct. 17, 2022. [https://www.amazon.com/dp/B09WR6MFFF/](Year: 2022).\*

(Continued)

*Primary Examiner* — W. A. Teddy Falloway

*Assistant Examiner* — Melissa Adriane Santos

(74) *Attorney, Agent, or Firm* — ScienBiziP, P.C.

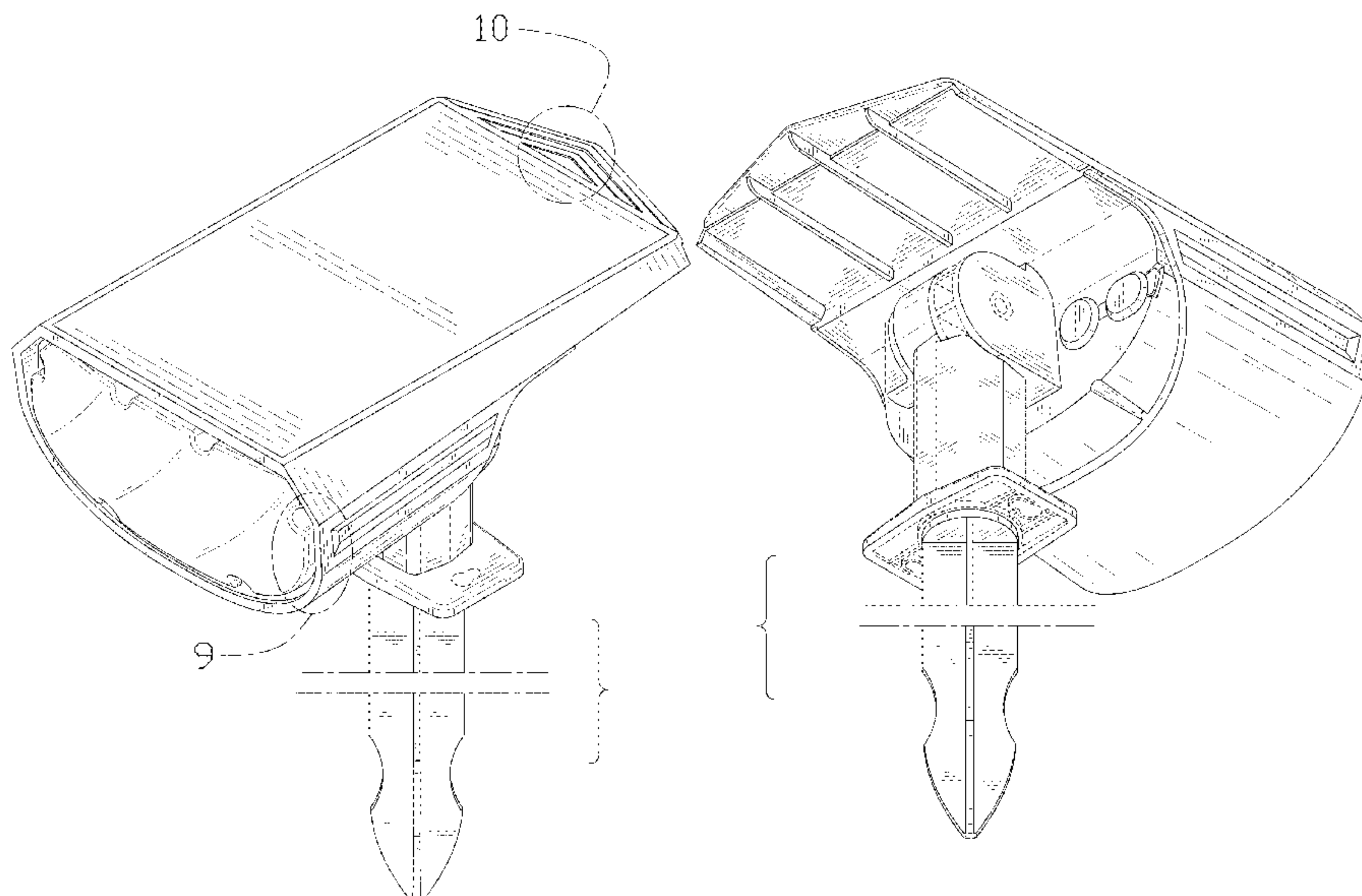
(57) **CLAIM**

The ornamental design for a solar outdoor light, as shown and described.

**DESCRIPTION**

FIG. 1 is a front, right, and top perspective view of a solar outdoor light, showing my design.  
 FIG. 2 is a rear, left, and bottom perspective view thereof.  
 FIG. 3 is a front elevation view thereof.  
 FIG. 4 is a rear elevation view thereof.  
 FIG. 5 is a left side elevation view thereof.  
 FIG. 6 is a right side elevation view thereof.  
 FIG. 7 is a top plan view thereof.  
 FIG. 8 is a bottom plan view thereof.  
 FIG. 9 is a partial enlarged view of an area labeled 9 in FIG. 1 comprising a lamp port; and,  
 FIG. 10 is a partial enlarged view of an area labeled 10 in FIG. 1 comprising a top part.  
 The dash-dash broken lines in the figures illustrate portions of the solar outdoor light. The dash-dot broken-line circle and arc, which illustrate the boundary of the enlarged views, represent detail call-outs. The parallel dash-dot broken lines represents a break line. The broken lines form no part of claimed design.  
 The solar outdoor light is shown with a symbolic break in its length. The appearance of any portion of the article between the break lines forms no part of the claimed design.

**1 Claim, 10 Drawing Sheets**



(56)

**References Cited**

## U.S. PATENT DOCUMENTS

D925,084 S	*	7/2021	Chen	.....	D26/63
D925,100 S	*	7/2021	Hui	.....	D26/68
D930,225 S	*	9/2021	Jiang	.....	D26/68
D930,889 S	*	9/2021	Liu	.....	D26/68
D934,478 S	*	10/2021	Hu	.....	D26/63
D936,887 S	*	11/2021	Yan	.....	D26/68
D944,434 S	*	2/2022	Li	.....	D26/63
D963,224 S	*	9/2022	Wu	.....	D26/63
D963,225 S	*	9/2022	Zhuo	.....	D26/63
D963,911 S	*	9/2022	Chen	.....	D13/102

## OTHER PUBLICATIONS

Jesled, Solar Spotlight. First available Mar. 2, 2020. Searched on Oct. 17, 2022. [<https://www.amazon.com/JESLED-Landscape-Spotlights-Waterproof-Wireless/dp/B0858YYQ3Z/>] (Year: 2020).\*

Nbtorch LED Solar Spot Light. First available Apr. 27, 2021. Searched on Oct. 17, 2022. [<https://www.amazon.com/dp/B093L87458/>] (Year: 2021).\*

\* cited by examiner

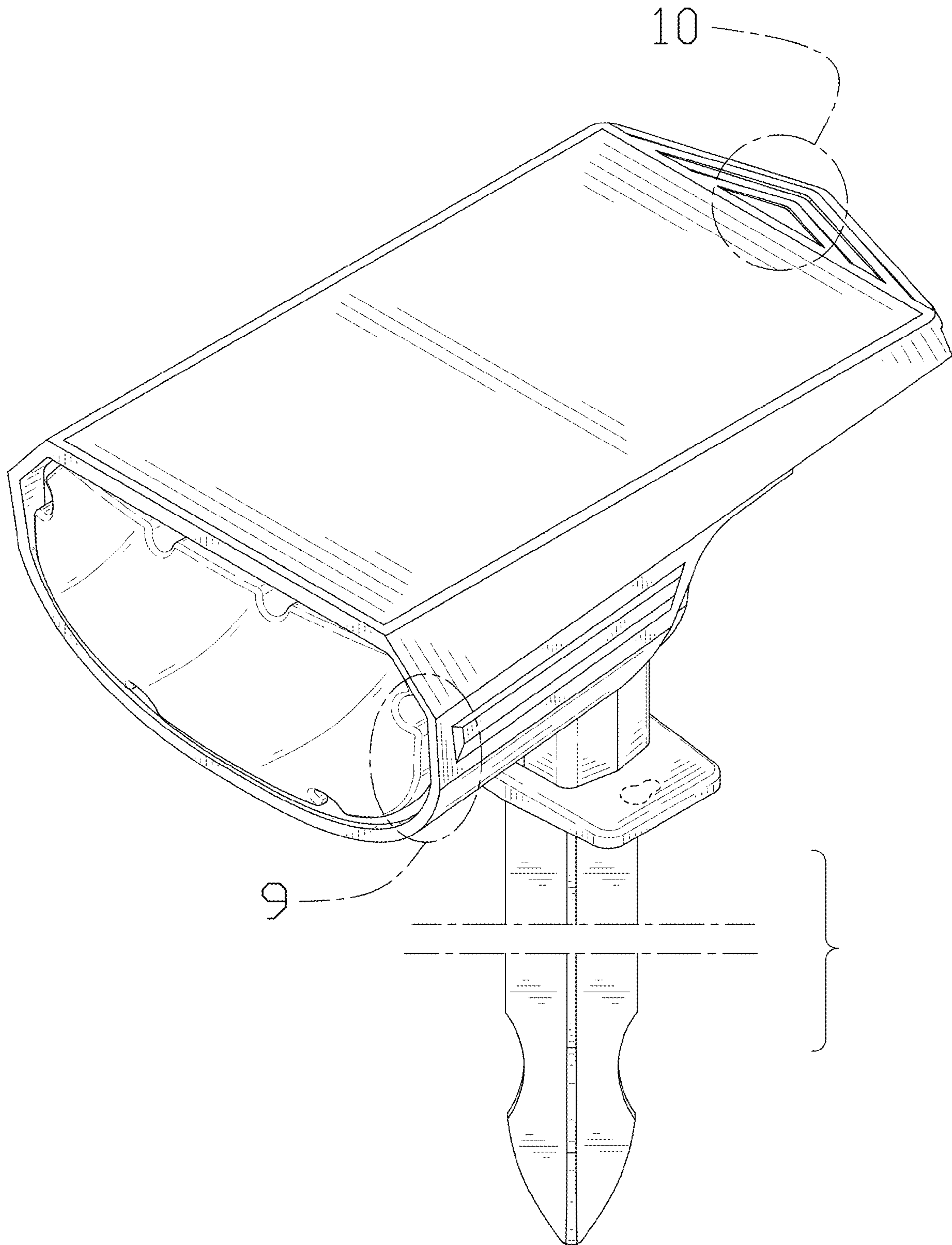


FIG. 1



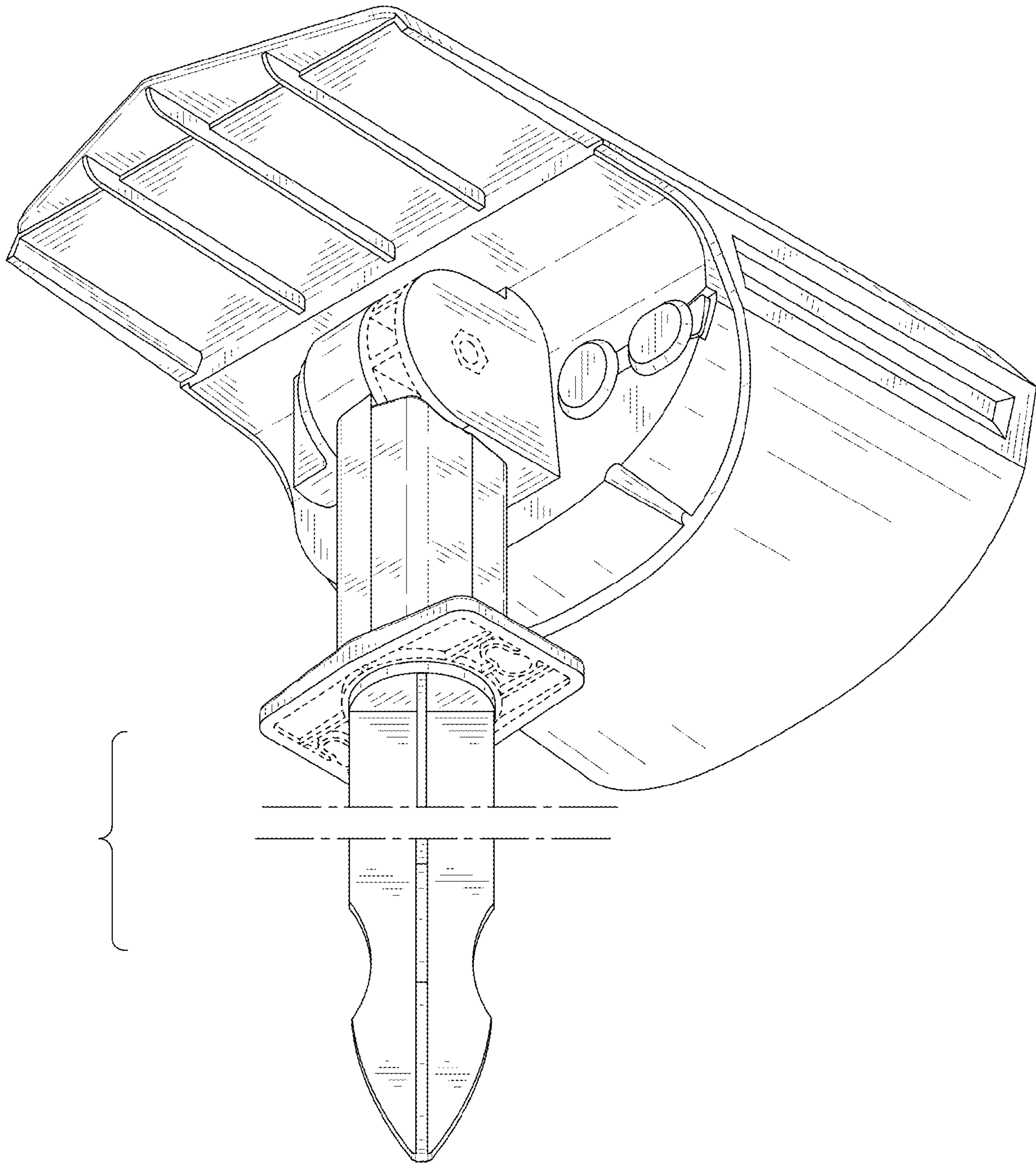


FIG. 2

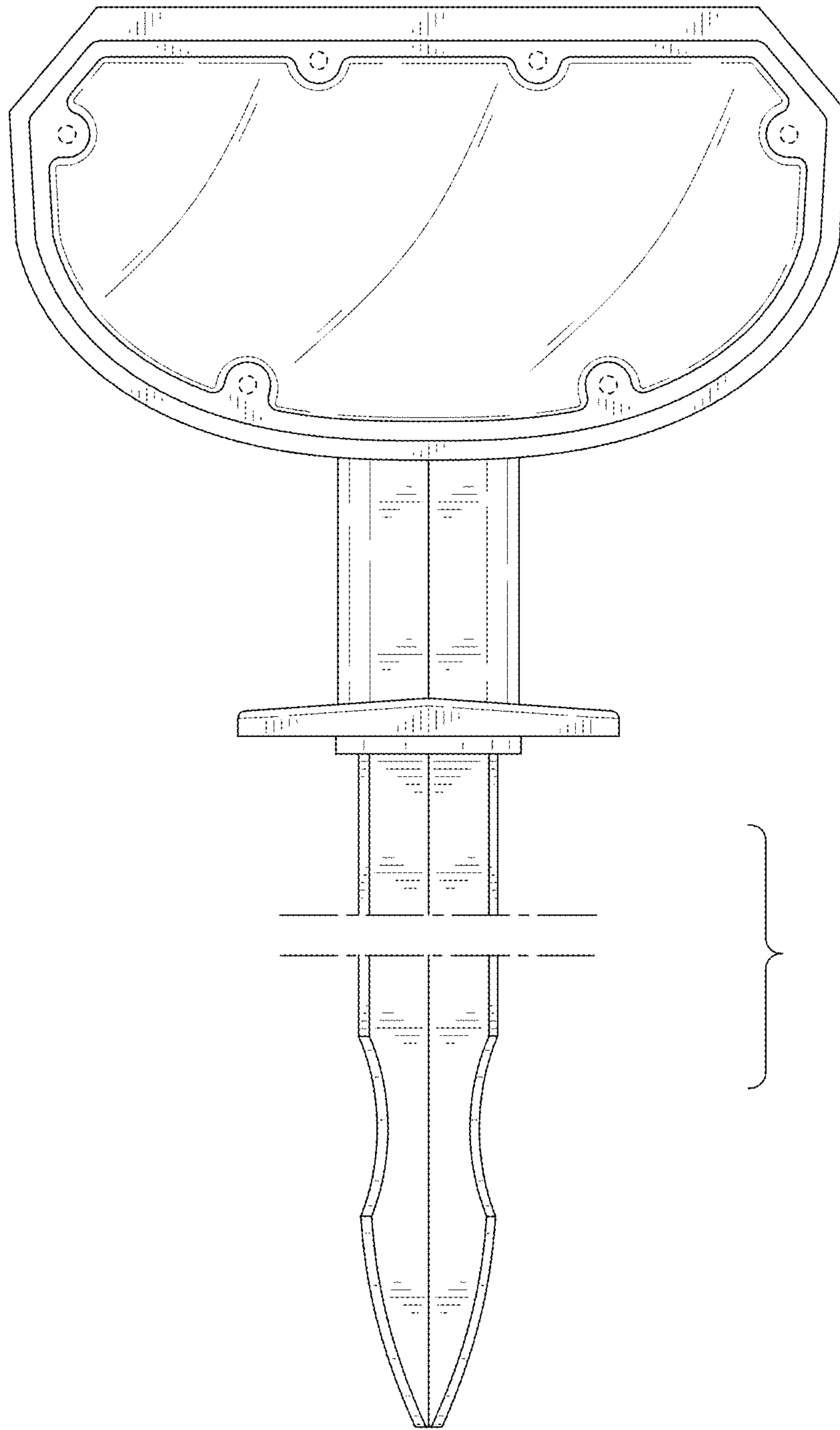


FIG. 3

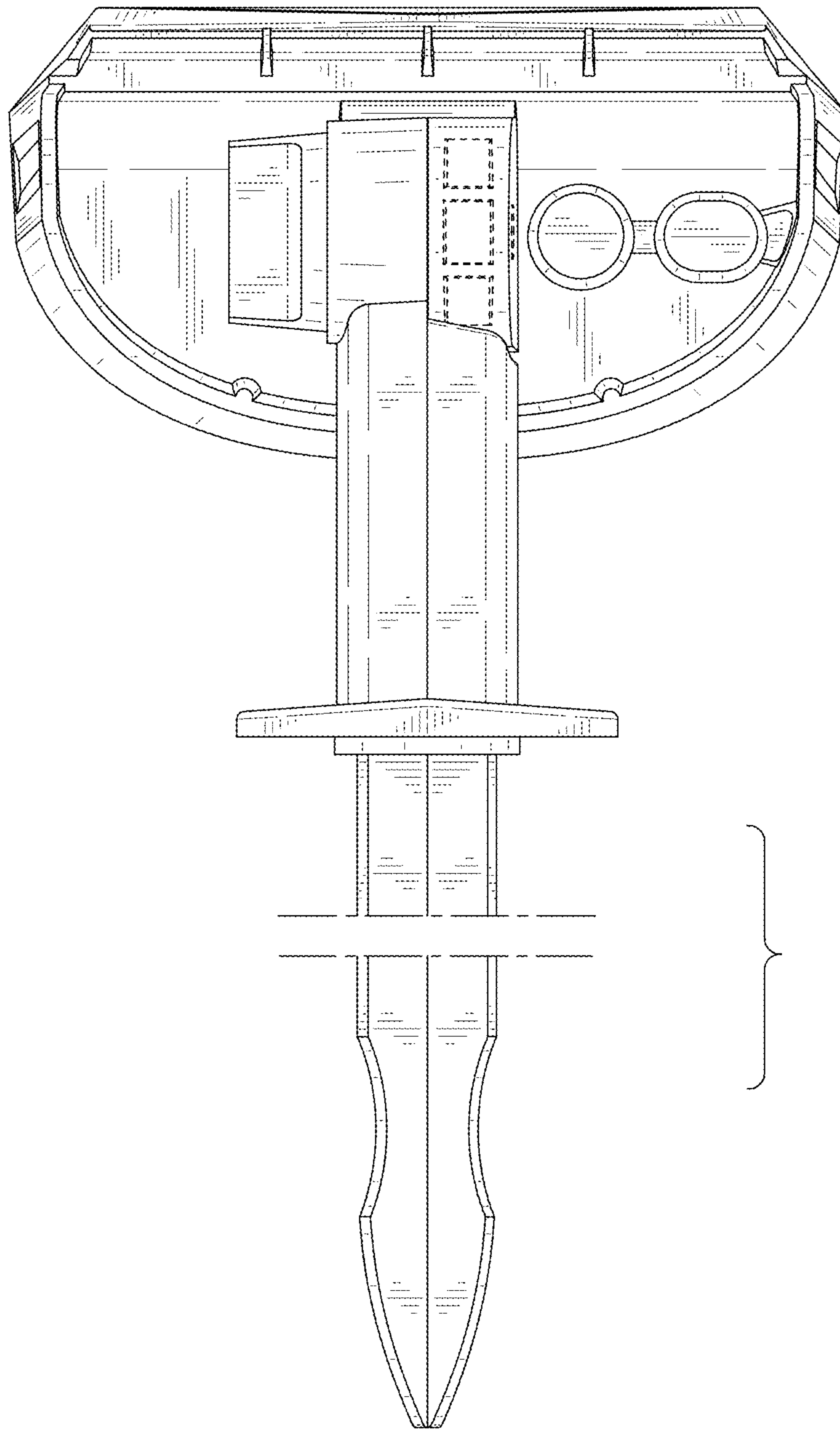


FIG. 4

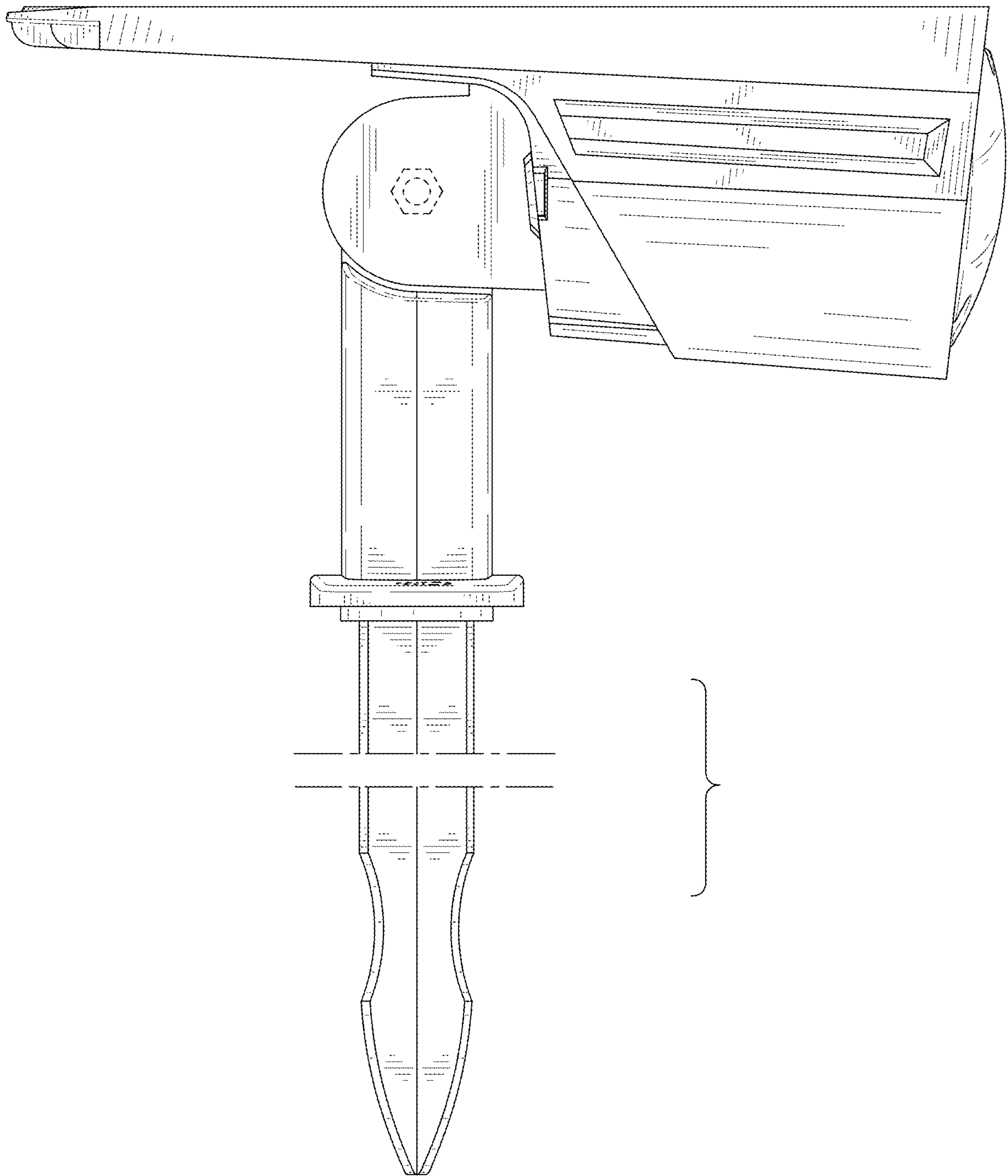


FIG. 5

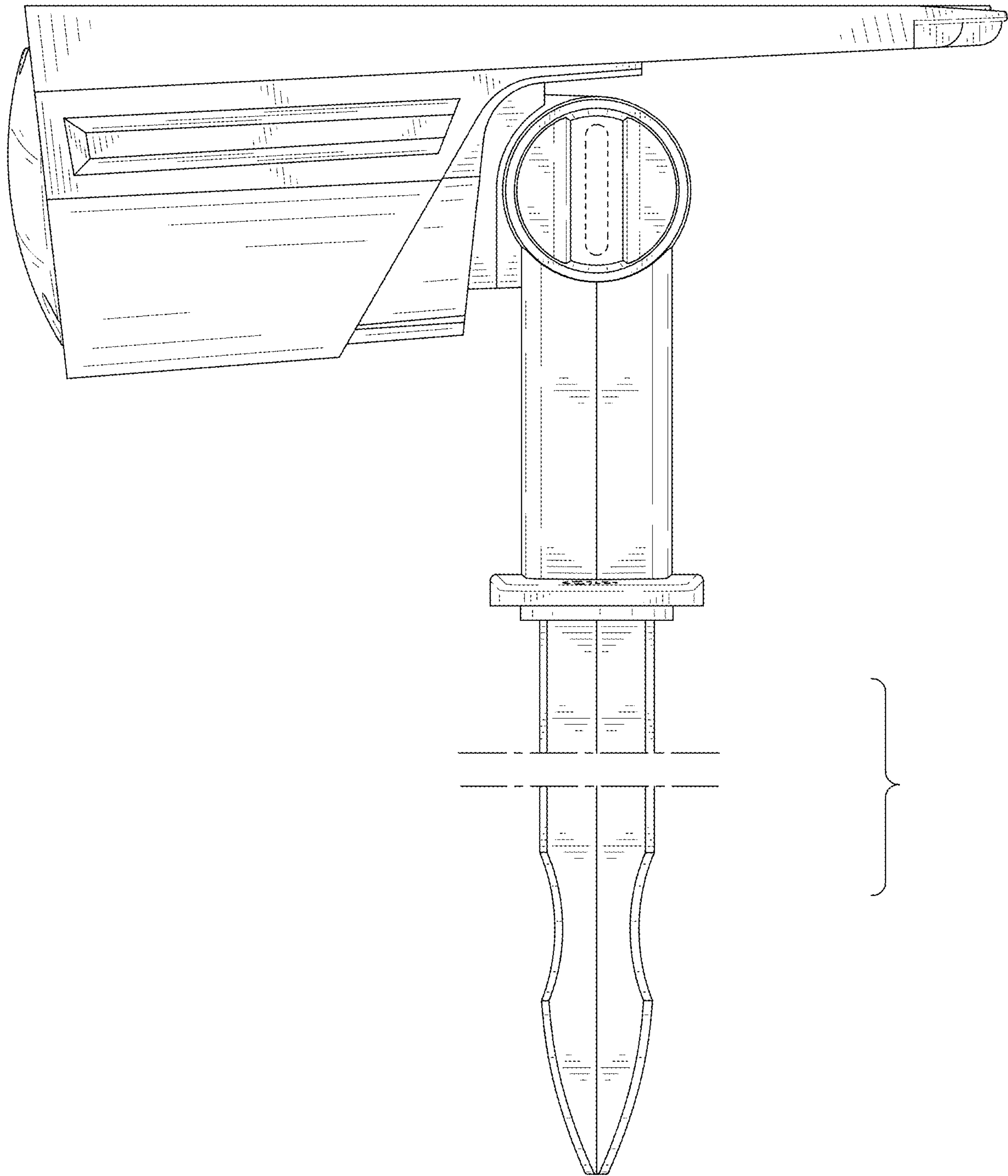


FIG. 6



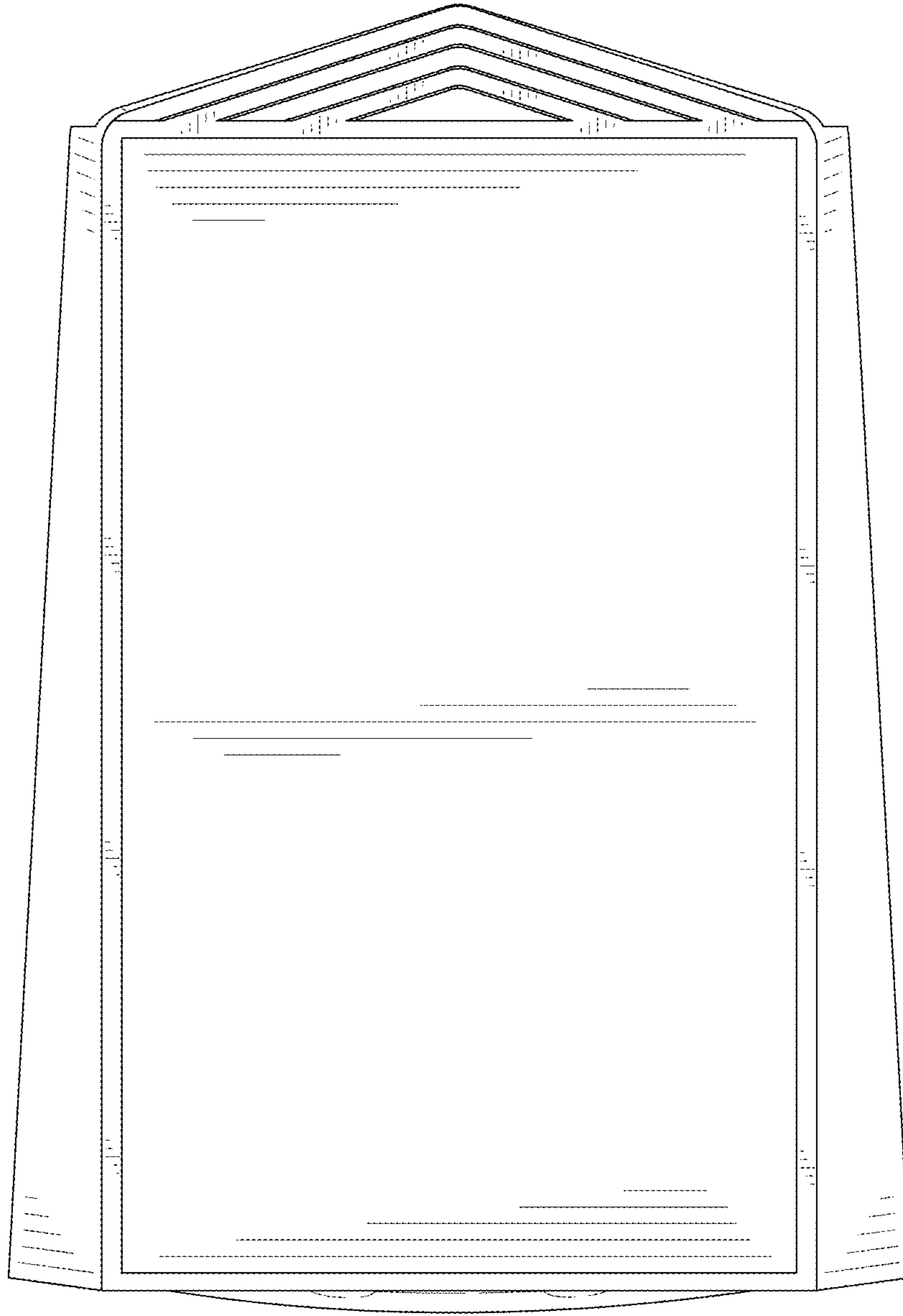


FIG. 7

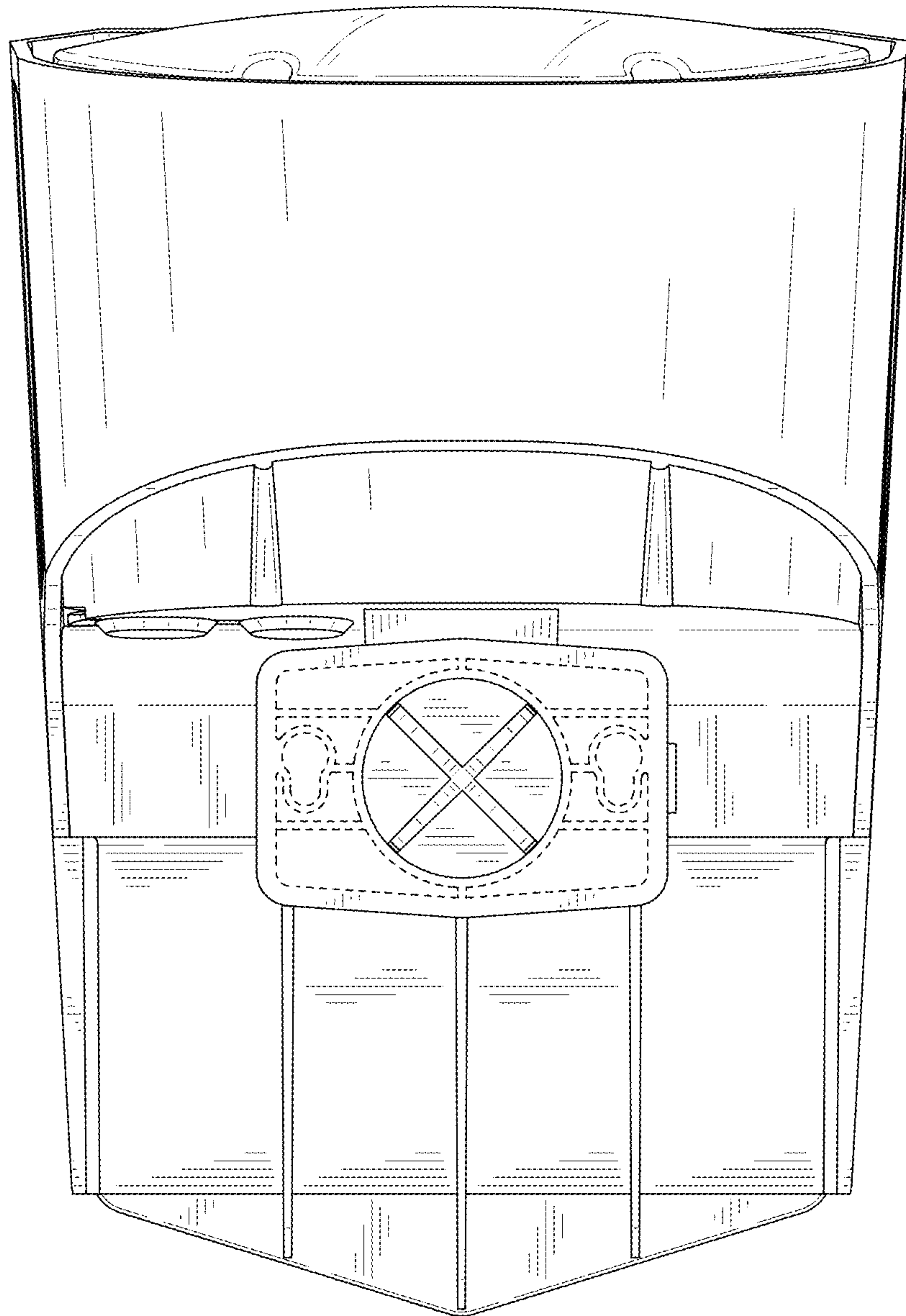


FIG. 8

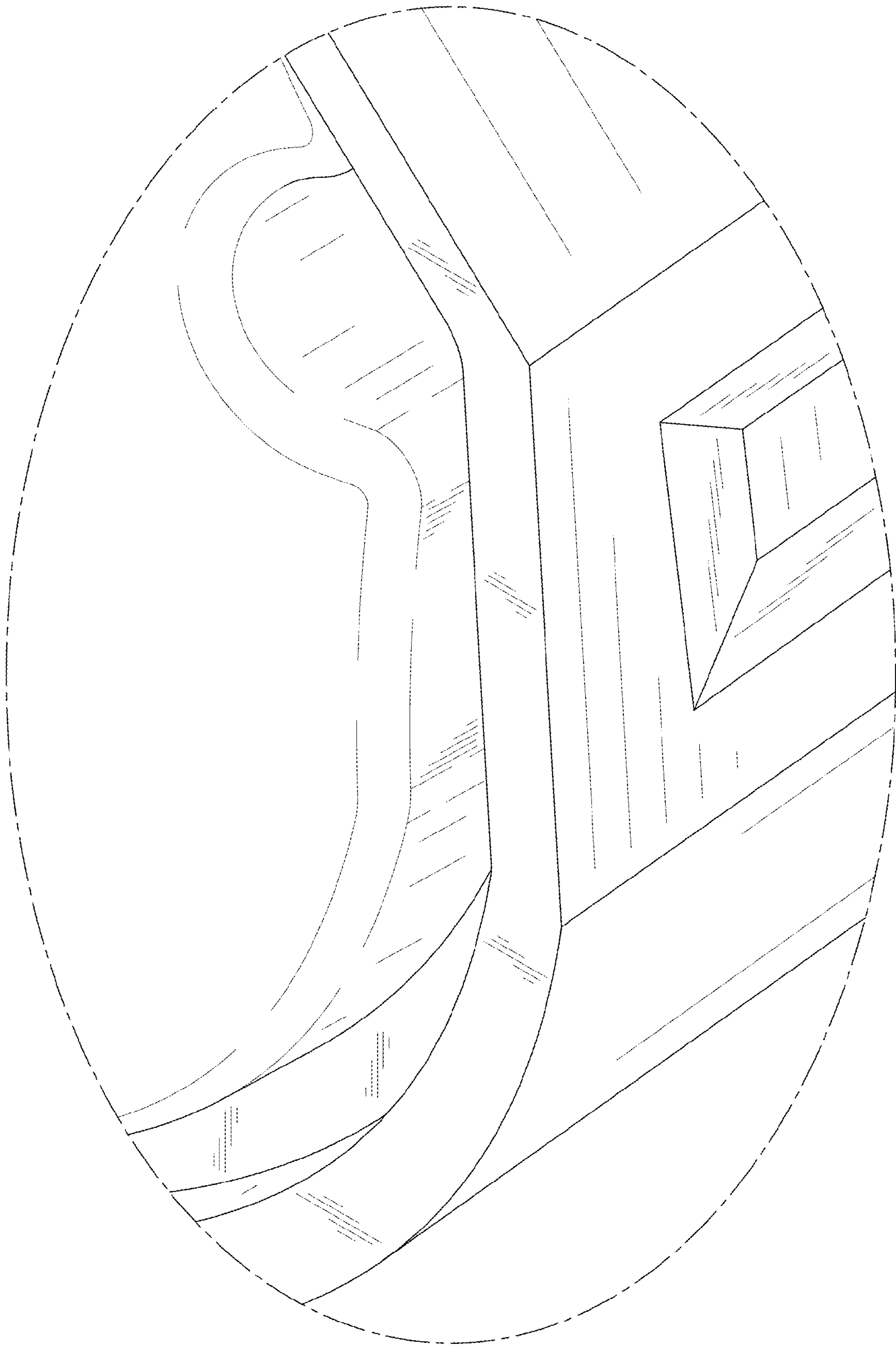


FIG. 9

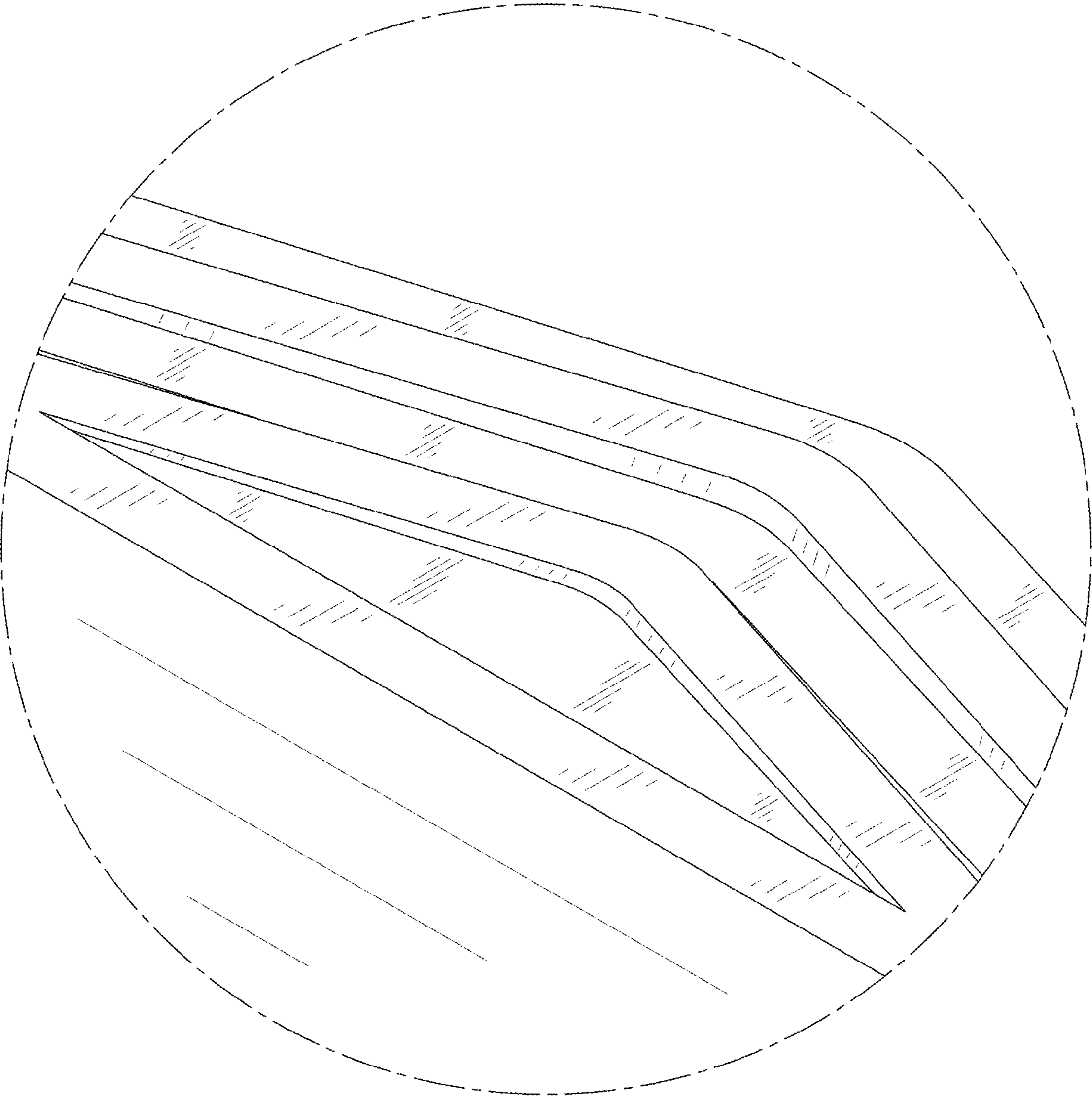


FIG. 10