



US00D974630S

(12) **United States Design Patent** (10) **Patent No.:** **US D974,630 S**
Liao (45) **Date of Patent:** **** Jan. 3, 2023**

(54) **LIGHT**

(71) Applicant: **Xuemei Liao**, Nan (CN)

(72) Inventor: **Xuemei Liao**, Nan (CN)

(**) Term: **15 Years**

(21) Appl. No.: **29/789,553**

(22) Filed: **Sep. 29, 2021**

(51) **LOC (14) Cl.** **26-05**

(52) **U.S. Cl.**
USPC **D26/67; D26/73**

(58) **Field of Classification Search**
USPC D26/63, 67, 70, 73, 85
CPC F21S 8/03; F21S 8/033; F21S 8/036; F21S
8/081; F21S 9/035; F21S 9/037; F21W
2111/02; F21W 2111/023; F21W
2131/109

See application file for complete search history.

(56) **References Cited**

U.S. PATENT DOCUMENTS

D225,260	S	*	11/1972	Morris	D26/73
D354,149	S	*	1/1995	Kay	D26/68
5,947,582	A	*	9/1999	Huang	A41G 1/005 362/122
D511,018	S	*	10/2005	Sooferian	D26/73
D556,934	S	*	12/2007	Sanoner	D26/68
D584,178	S	*	1/2009	VerMeulen	D10/81
D751,946	S	*	3/2016	Soofer	D11/157
D871,642	S		12/2019	Ng et al.		
D881,434	S	*	4/2020	He	D26/101
D887,723	S	*	6/2020	Alexander	D6/306
D895,876	S		9/2020	Tang		
D897,593	S		9/2020	Ng et al.		
D908,939	S	*	1/2021	Liu	D26/63
D908,943	S	*	1/2021	Huang	D26/68
10,900,650	B2	*	1/2021	Wang	F21L 4/08

D914,939	S	*	3/2021	Zhu	D26/51
D921,574	S	*	6/2021	Vaccaro	D13/102
2007/0048464	A1	*	3/2007	Haupt	A41G 1/00 428/17

OTHER PUBLICATIONS

Kitvona Outdoor Sunflower Decor Garden Stake, ASIN: B07YSDJZ49. Available from amazon.com Nov. 14, 2019. (Year: 2019).*
Bucasa Outdoor Solar Sunflower Lights, ASIN: B093G9YS4Y. Available from amazon.com Jul. 20, 2021. (Year: 2021).*
Solar Powered Sunflowers available from <https://www.theapollobox.com/product/sku1273508/solar-powered-sunflowers> as early as Jul. 9, 2021. (Year: 2021).*
ENSLI Solar Garden Lights, ASIN: B09NPHQS3W. Available from amazon.com Apr. 3, 2022. (Year: 2022).*

* cited by examiner

Primary Examiner — Clare E Heflin
(74) *Attorney, Agent, or Firm* — Rumit Ranjit Kanakia

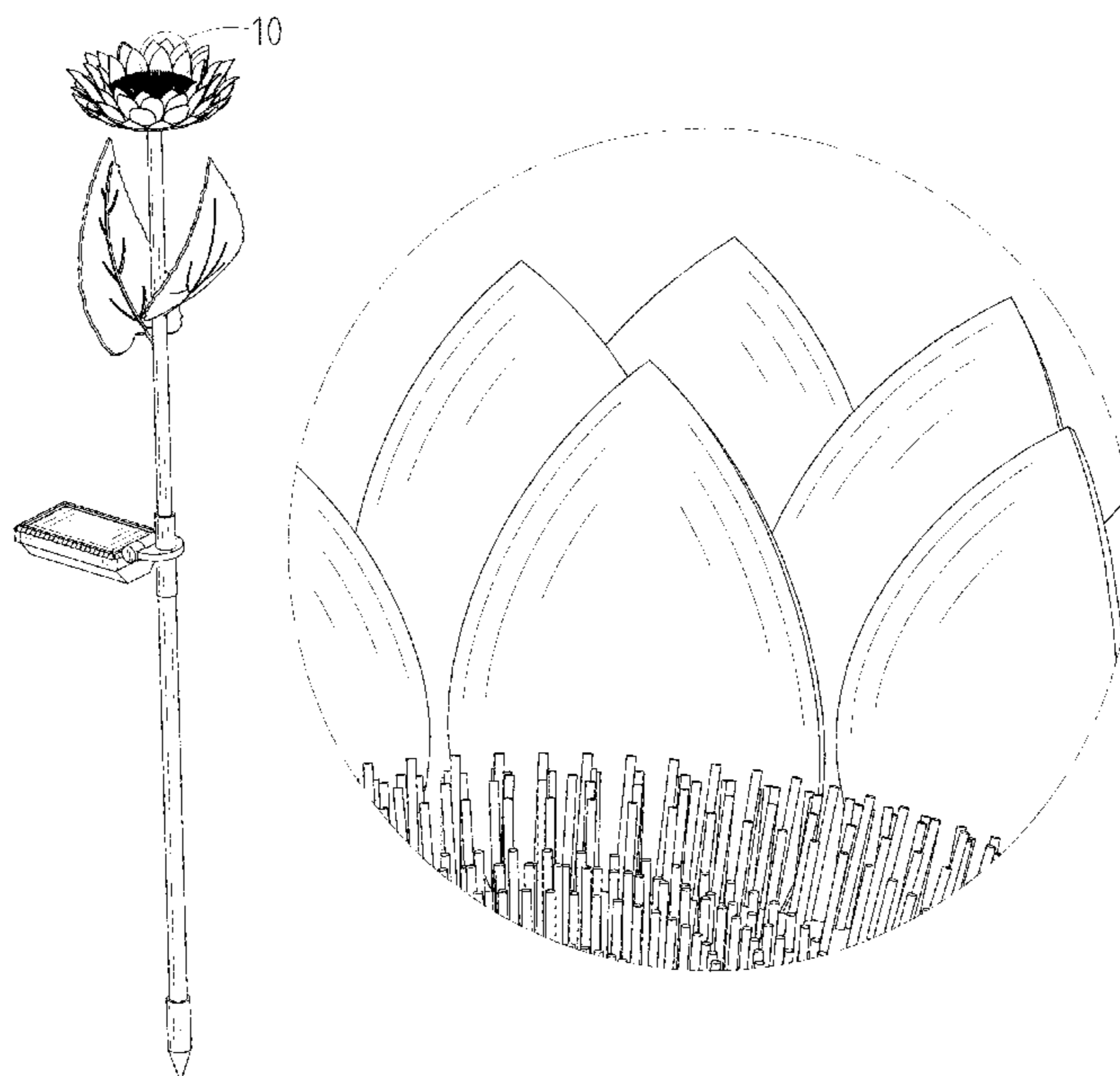
(57) **CLAIM**

The ornamental design for a light, as shown and described.

DESCRIPTION

FIG. 1 is a first perspective view of a light showing my new design;
FIG. 2 is a second perspective view thereof;
FIG. 3 is a front view thereof;
FIG. 4 is a back view thereof;
FIG. 5 is a left side view thereof;
FIG. 6 is a right side view thereof;
FIG. 7 is a top view thereof;
FIG. 8 is a bottom view thereof;
FIG. 9 is an enlarged view of the selected portion in FIG. 1; and,
FIG. 10 is an enlarged view of the selected portion in FIG. 2.

1 Claim, 10 Drawing Sheets



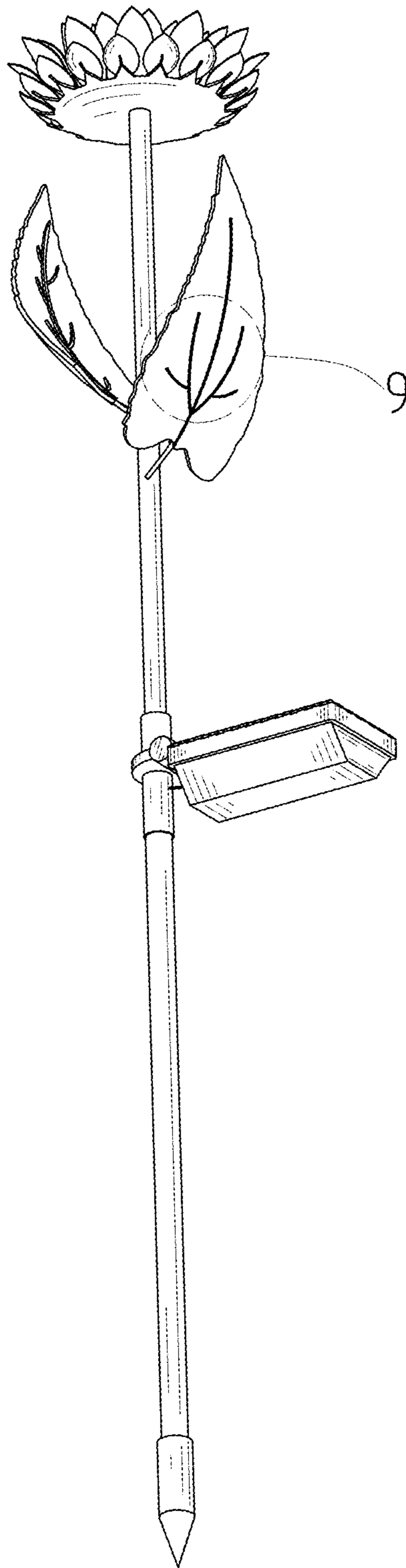


FIG. 1

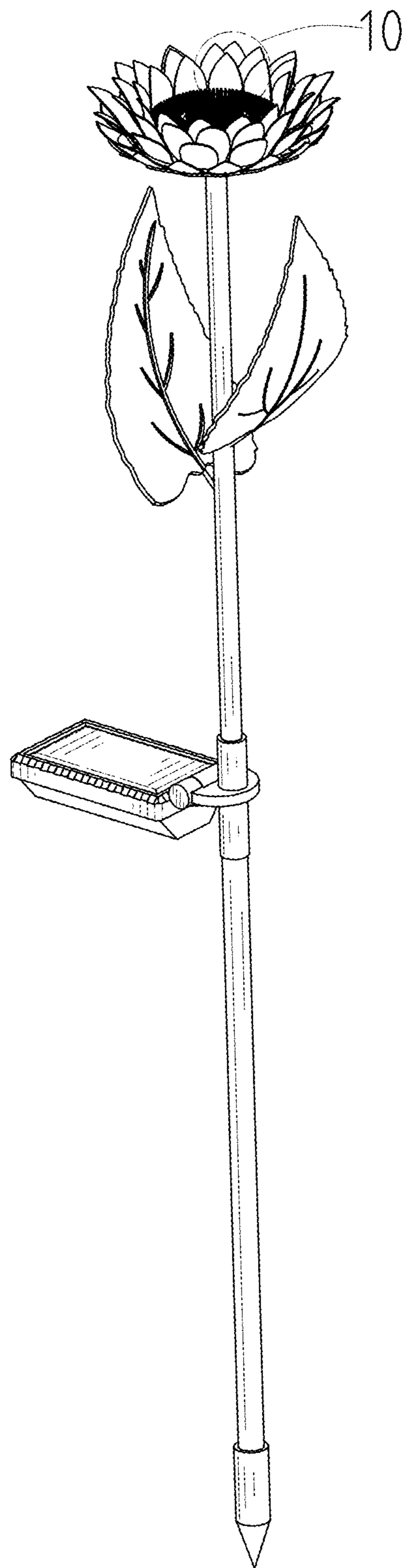


FIG. 2

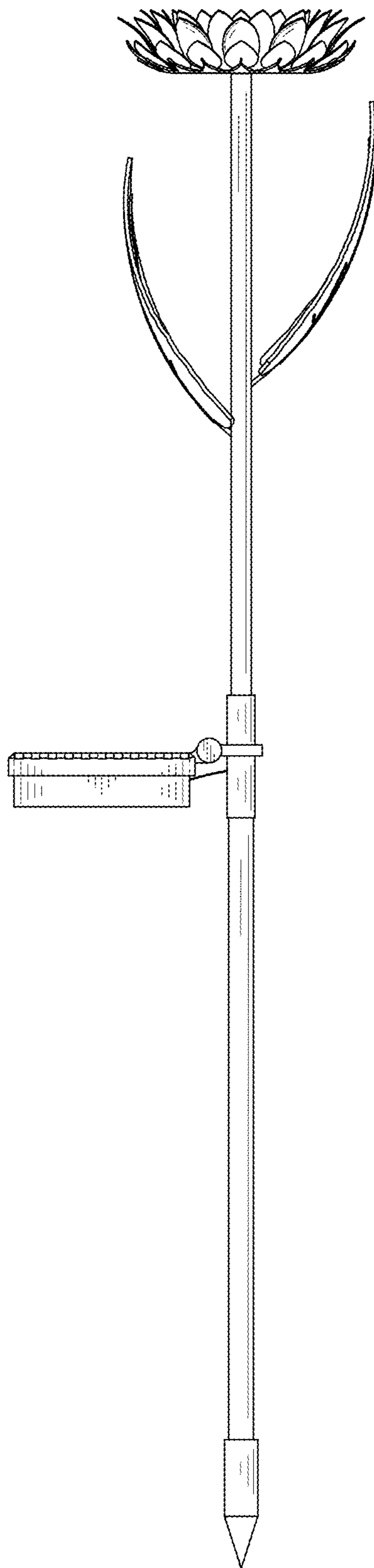


FIG. 3

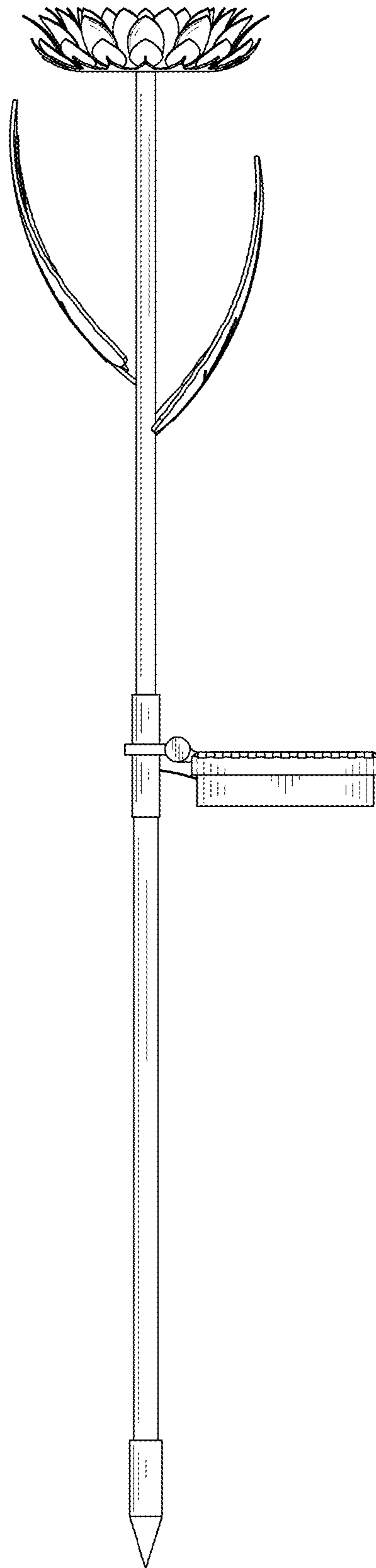


FIG. 4

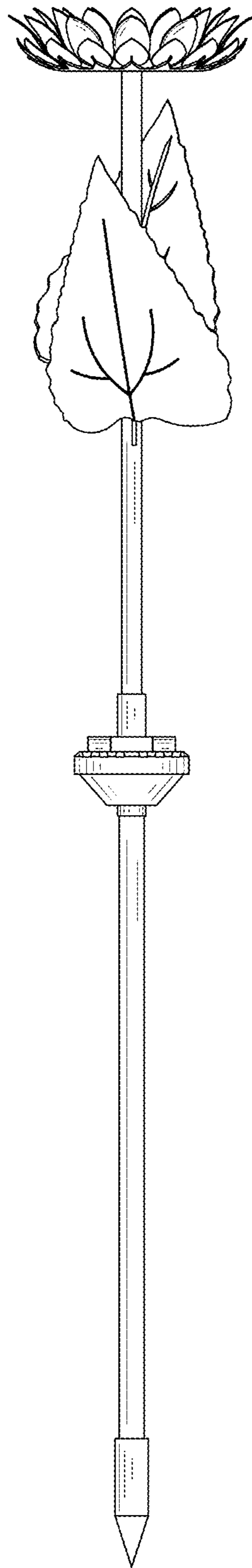


FIG. 5

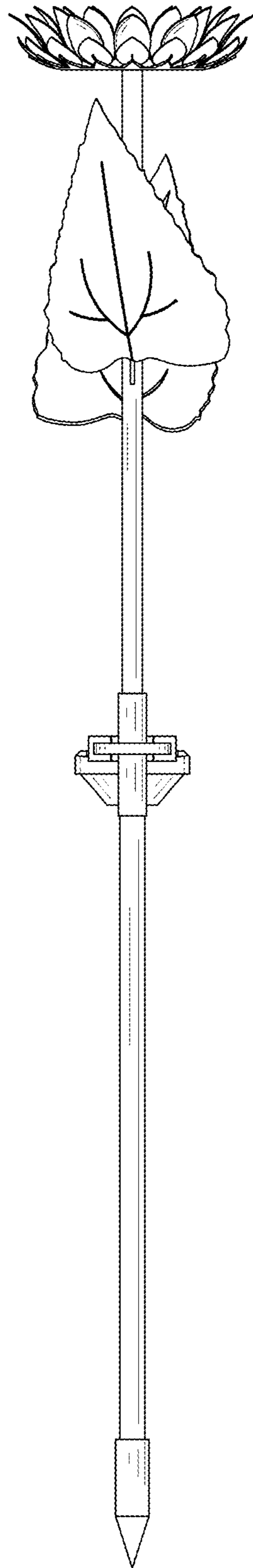


FIG. 6

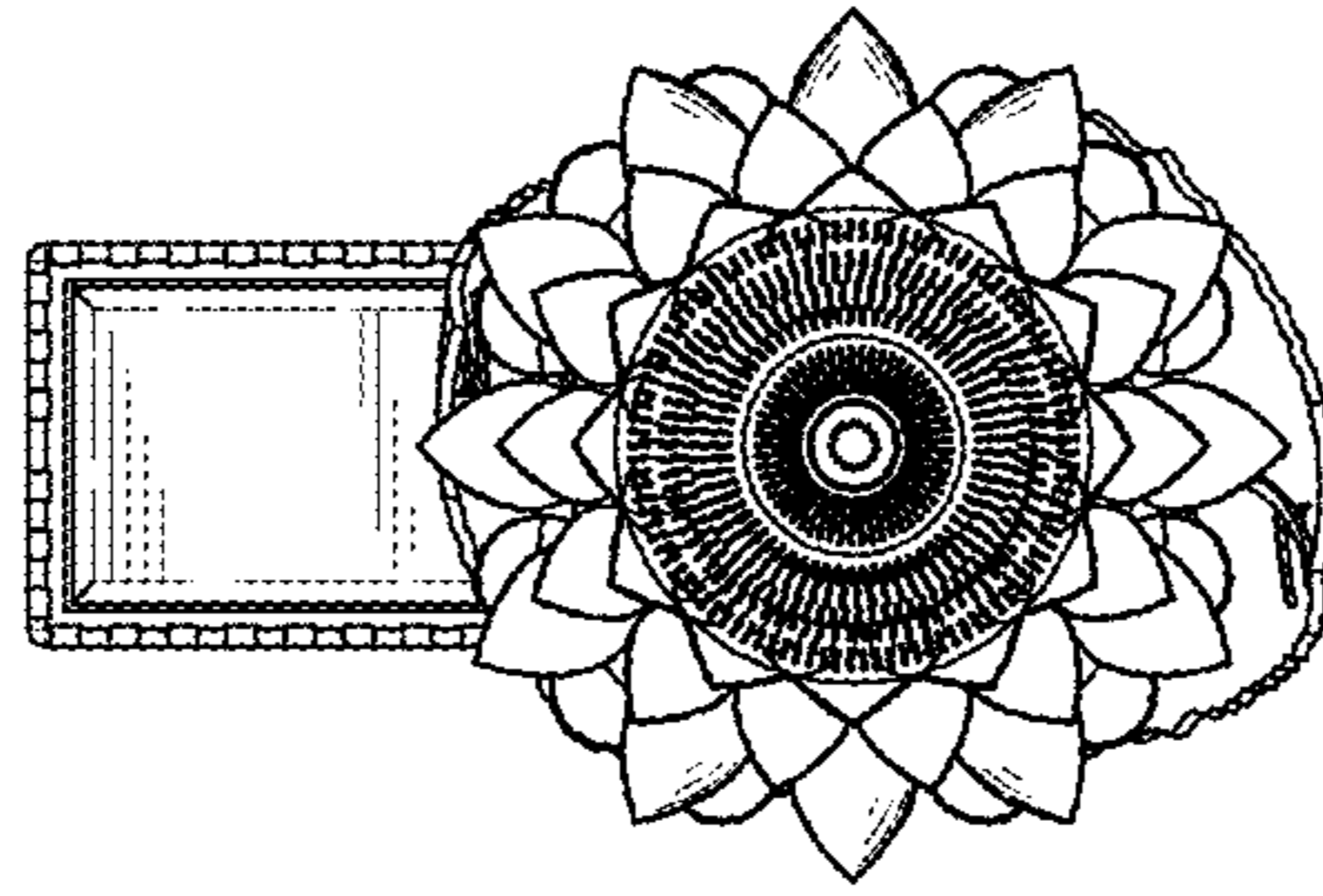


FIG. 7

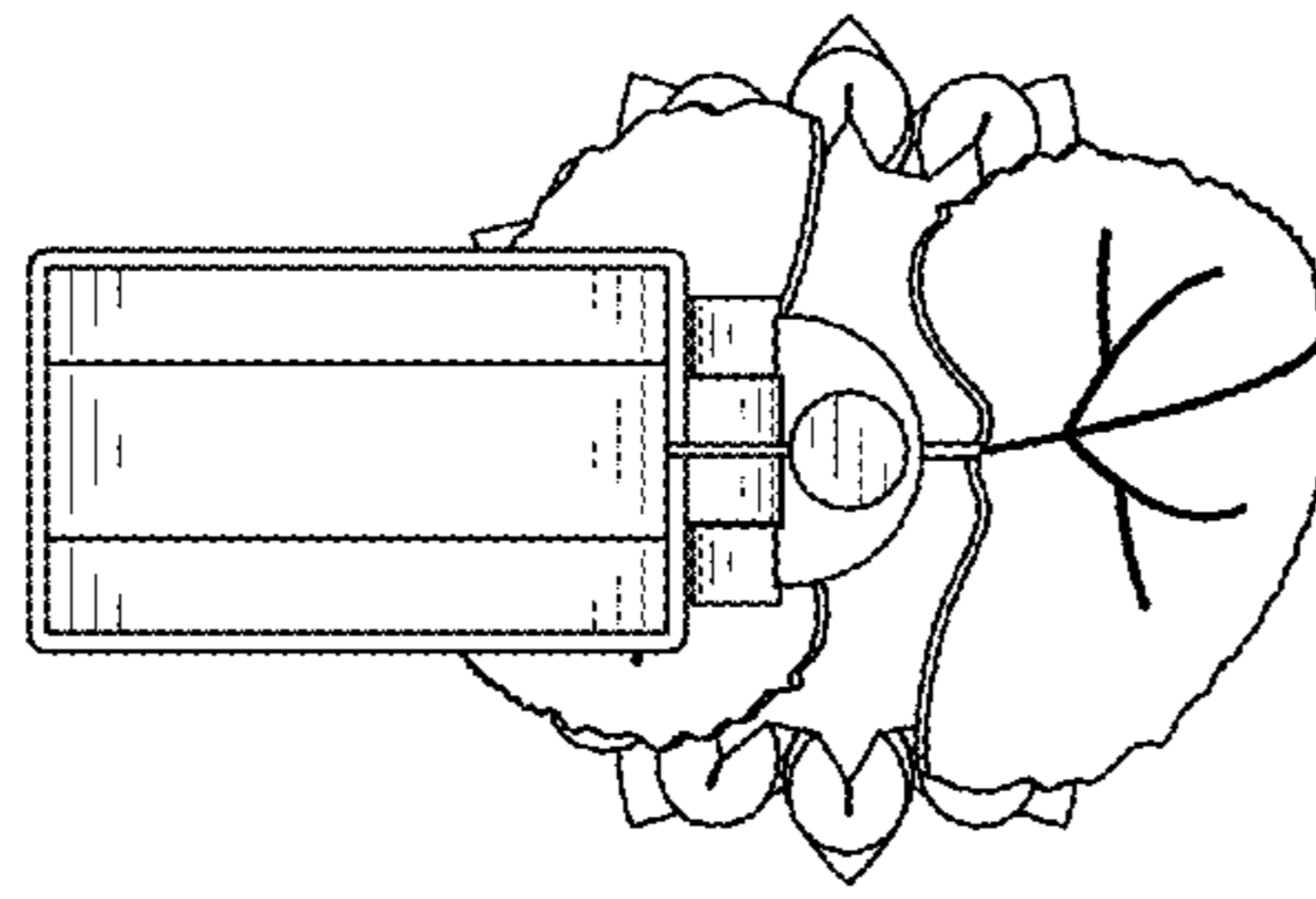


FIG. 8

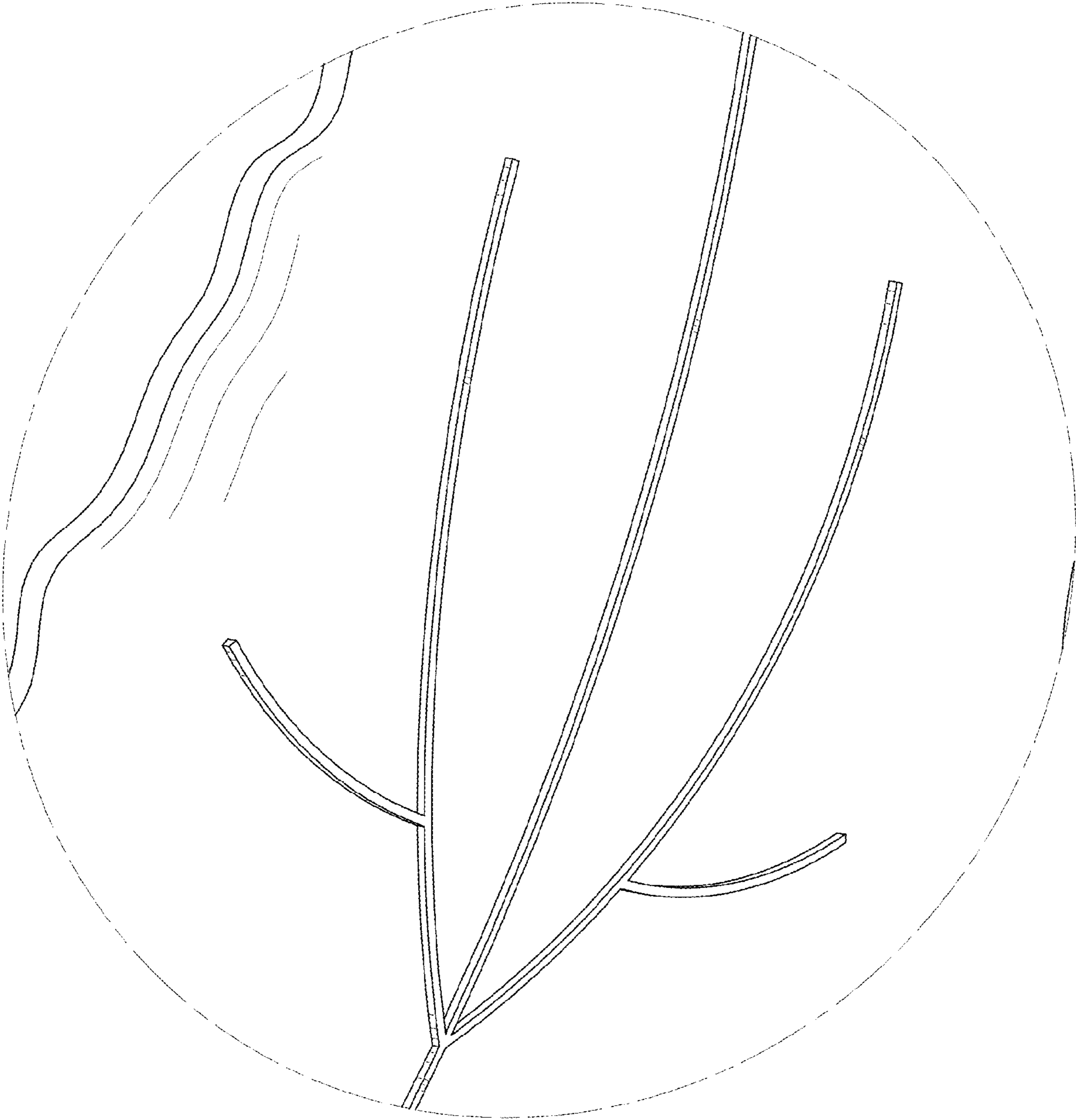


FIG. 9

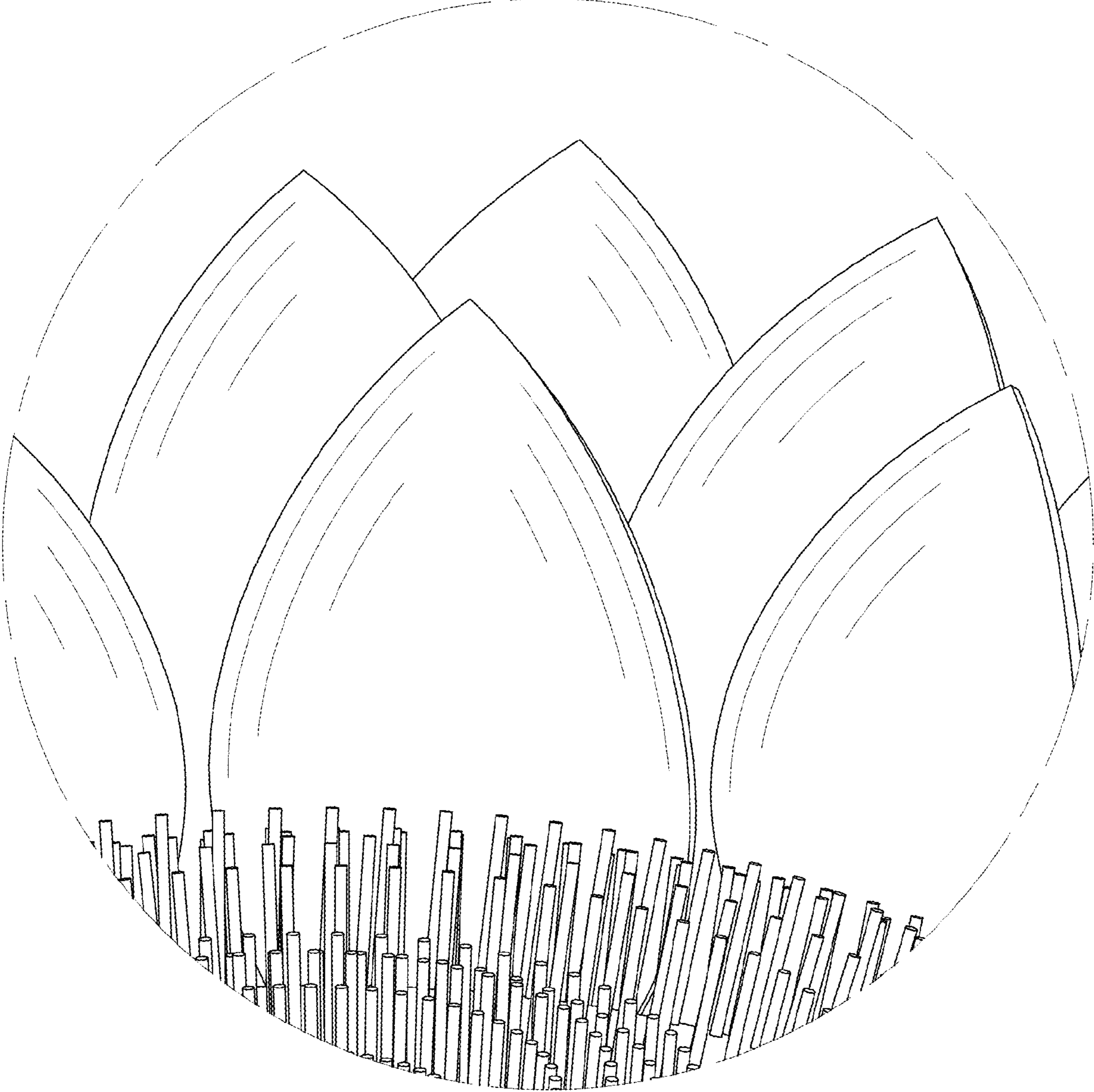


FIG. 10