



US00D974627S

(12) **United States Design Patent**
Landry

(10) **Patent No.:** **US D974,627 S**
(45) **Date of Patent:** **** Jan. 3, 2023**

(54) **LIGHTING FIXTURE**

DESCRIPTION

- (71) Applicant: **LMPG Inc.**, Longueuil (CA)
- (72) Inventor: **Samuel Landry**, Montreal (CA)
- (73) Assignee: **LMPG INC.**, Longueuil (CA)
- (**) Term: **15 Years**
- (21) Appl. No.: **29/835,965**
- (22) Filed: **Apr. 22, 2022**

Related U.S. Application Data

- (62) Division of application No. 29/640,272, filed on Mar. 13, 2018, now Pat. No. Des. 952,220.
- (51) **LOC (14) Cl.** **26-05**
- (52) **U.S. Cl.**
USPC **D26/63**
- (58) **Field of Classification Search**
USPC D26/1, 2, 24, 60, 61, 63–66, 72, 75, 80,
D26/81, 83, 85, 87, 88, 92, 113, 118,
D26/119, 138, 142, 145
(Continued)

(56) **References Cited**

U.S. PATENT DOCUMENTS

- D115,014 S * 5/1939 Waltman 362/223
 - D128,284 S * 7/1941 Herr 362/217.08
- (Continued)

FOREIGN PATENT DOCUMENTS

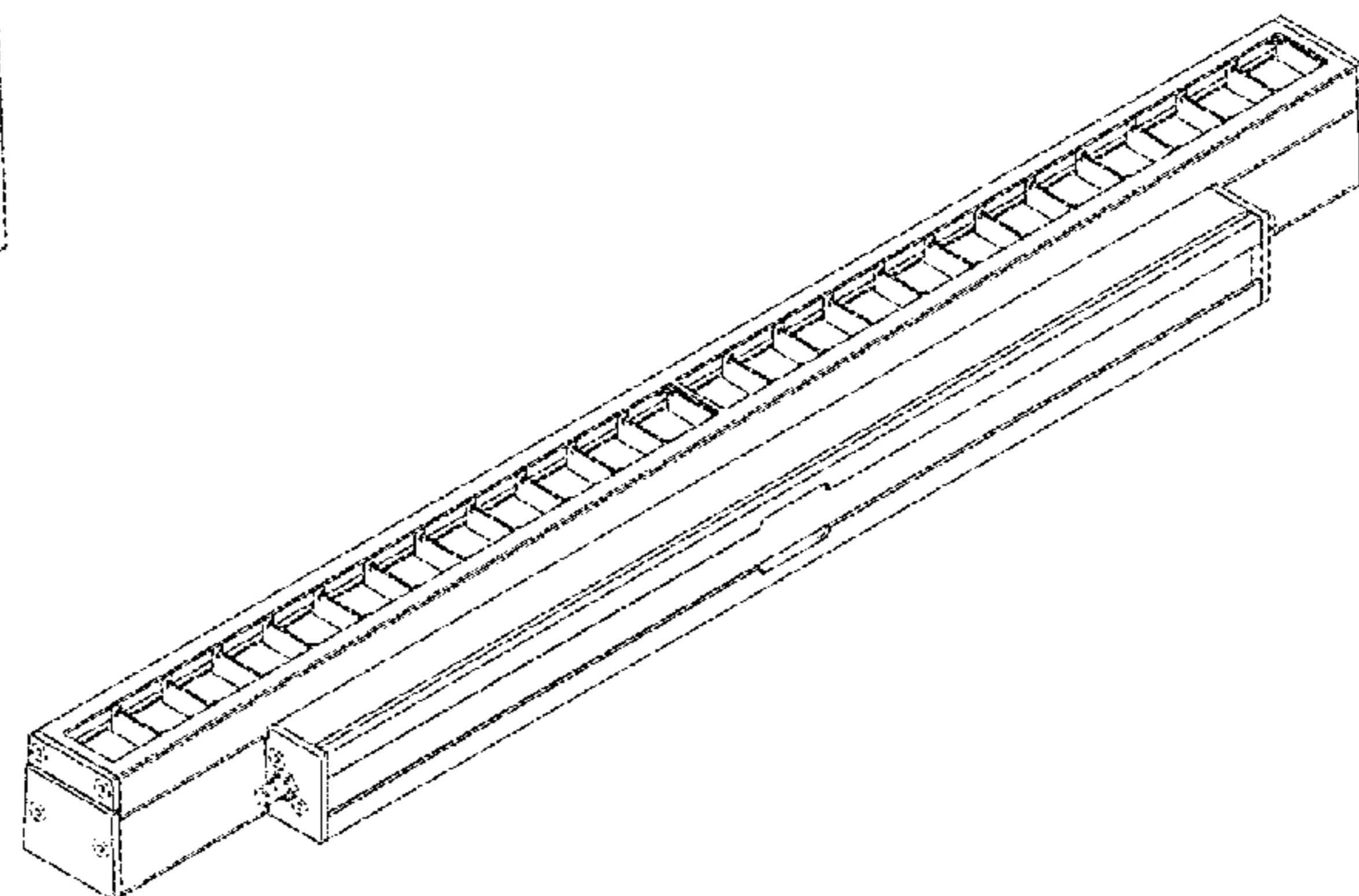
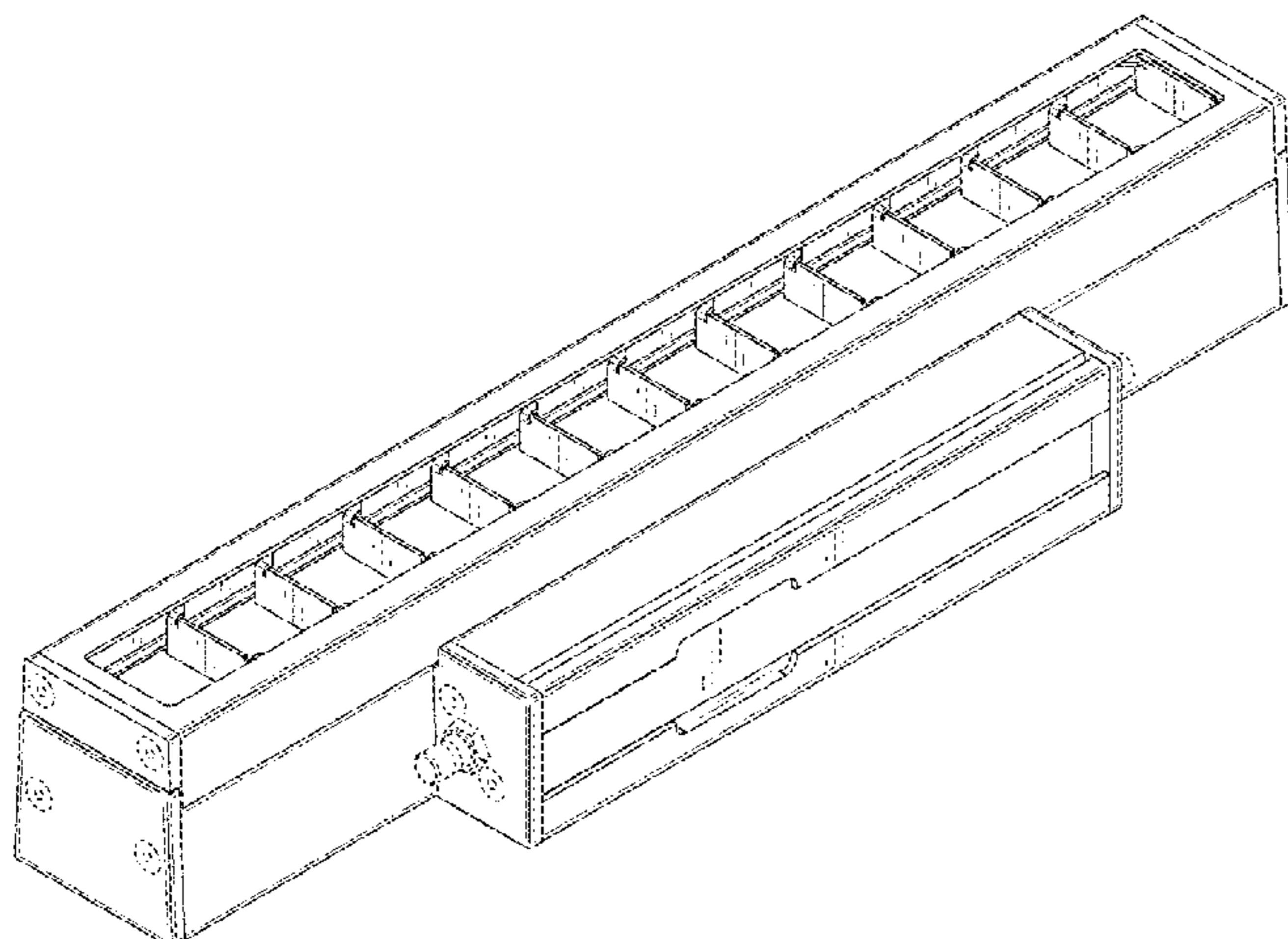
- KR 448175 Y1 * 3/2010 F21V 21/30
- Primary Examiner* — Shawn T Gingrich
(74) *Attorney, Agent, or Firm* — Burns & Levinson, LLP;
Joseph M. Maraia; Steven M. Mills

(57) **CLAIM**

The ornamental design for a lighting fixture, as shown and described.

FIG. 1 is a perspective view of a light fixture with an opaque top lens and a louver.
 FIG. 2 is a second perspective view of a light fixture with an opaque top lens and a louver.
 FIG. 3 is a first end view of a light fixture with an opaque top lens and a louver.
 FIG. 4 is a second end view of a light fixture with an opaque top lens and a louver.
 FIG. 5 is a perspective bottom view of a light fixture with an opaque top lens and a louver.
 FIG. 6 is a left side view of a light fixture with an opaque top lens and a louver.
 FIG. 7 is a top view of a light fixture with an opaque top lens and a louver.
 FIG. 8 is a right side view of a light fixture with an opaque top lens and a louver.
 FIG. 9 is a perspective view of a light fixture with a transparent top lens and a louver.
 FIG. 10 is a top view of a light fixture with a transparent top lens and a louver.
 FIG. 11 is a perspective view of another light fixture with an opaque top lens and a louver.
 FIG. 12 is a top view of the light fixture of FIG. 11.
 FIG. 13 is a perspective view of another light fixture with a transparent top lens and a louver.
 FIG. 14 is a top view of the light fixture of FIG. 13.
 FIG. 15 is a perspective view of yet another light fixture with an opaque top lens and a louver.
 FIG. 16 is a top view of the light fixture of FIG. 15.
 FIG. 17 is a perspective view of yet another light fixture with a transparent top lens and a louver.
 FIG. 18 is a top view of the light fixture of FIG. 17.
 FIG. 19 is a perspective view of still another light fixture with an opaque top lens and a louver.
 FIG. 20 is a top view of the light fixture of FIG. 19.
 FIG. 21 is a perspective view of still another light fixture with a transparent top lens and a louver; and,
 FIG. 22 is a top view of the light fixture of FIG. 21.
 The broken lines shown are included for the purpose of illustrating environmental structure and portions of the lighting fixture that form no part of the claimed design.

1 Claim, 9 Drawing Sheets



(58) **Field of Classification Search**

CPC A61B 1/06; A61B 5/00; A61B 5/1172;
 A61B 34/00; A61B 90/00; A61B 90/30;
 A61B 90/35; G16H 20/40; F21V 21/30;
 F21V 21/04; F21V 23/04; H04N 5/2354;
 H05B 47/125

See application file for complete search history.

(56) **References Cited**

U.S. PATENT DOCUMENTS

D306,909 S * 3/1990 Kelley D26/24
 D337,842 S * 7/1993 Yuen D26/44
 D563,013 S * 2/2008 Levine D26/63
 D629,548 S * 12/2010 Cai D26/63
 D632,422 S * 2/2011 van den Akker D26/128
 D734,524 S * 7/2015 Boudewyns D26/63
 D757,975 S * 5/2016 Lo Chun Tung D26/63
 D770,072 S * 10/2016 Law D26/63
 D773,088 S * 11/2016 Hodgson D26/61
 D775,393 S * 12/2016 Adams D26/63
 D782,095 S * 3/2017 Fletcher D26/76
 D782,096 S * 3/2017 Fletcher D26/76
 9,651,227 B2 * 5/2017 Pickard F21V 21/30
 D793,602 S * 8/2017 Liu D26/76
 D796,107 S * 8/2017 Boorom D26/87
 D800,366 S * 10/2017 Cavaliere D26/75
 D808,566 S * 1/2018 Goetz-Schaefer D26/76

D817,535 S * 5/2018 Feng D26/76
 D822,260 S * 7/2018 Lee D26/87
 D855,237 S * 7/2019 Liu D26/76
 D870,340 S * 12/2019 Gruendl D26/63
 D872,338 S * 1/2020 Deng D26/63
 D877,969 S * 3/2020 Santoro D26/124
 D880,035 S * 3/2020 Gordin D26/63
 D880,742 S * 4/2020 Li D26/61
 D883,551 S * 5/2020 Waldmann D26/65
 D884,241 S * 5/2020 Chami D26/63
 D889,028 S * 6/2020 Santoro D26/120
 D890,973 S * 7/2020 Hodgson D26/63
 D895,873 S * 9/2020 Yang D26/63
 D907,274 S * 1/2021 Jiang D26/85
 D912,879 S * 3/2021 Hu D26/85
 D915,632 S * 4/2021 Patterson D25/138
 D923,233 S * 6/2021 Liu D26/85
 D952,220 S * 5/2022 Landry D26/63
 2010/0254148 A1 * 10/2010 Huang F21V 31/005
 362/373
 2011/0051407 A1 * 3/2011 St. Ives F21V 31/005
 362/225
 2011/0128737 A1 * 6/2011 Kim F21V 21/30
 362/249.03
 2011/0141722 A1 * 6/2011 Acampora F21V 21/112
 362/218
 2013/0271977 A1 * 10/2013 Ronen F21V 15/013
 362/249.03
 2016/0258602 A1 * 9/2016 Pickard F21V 13/04

* cited by examiner

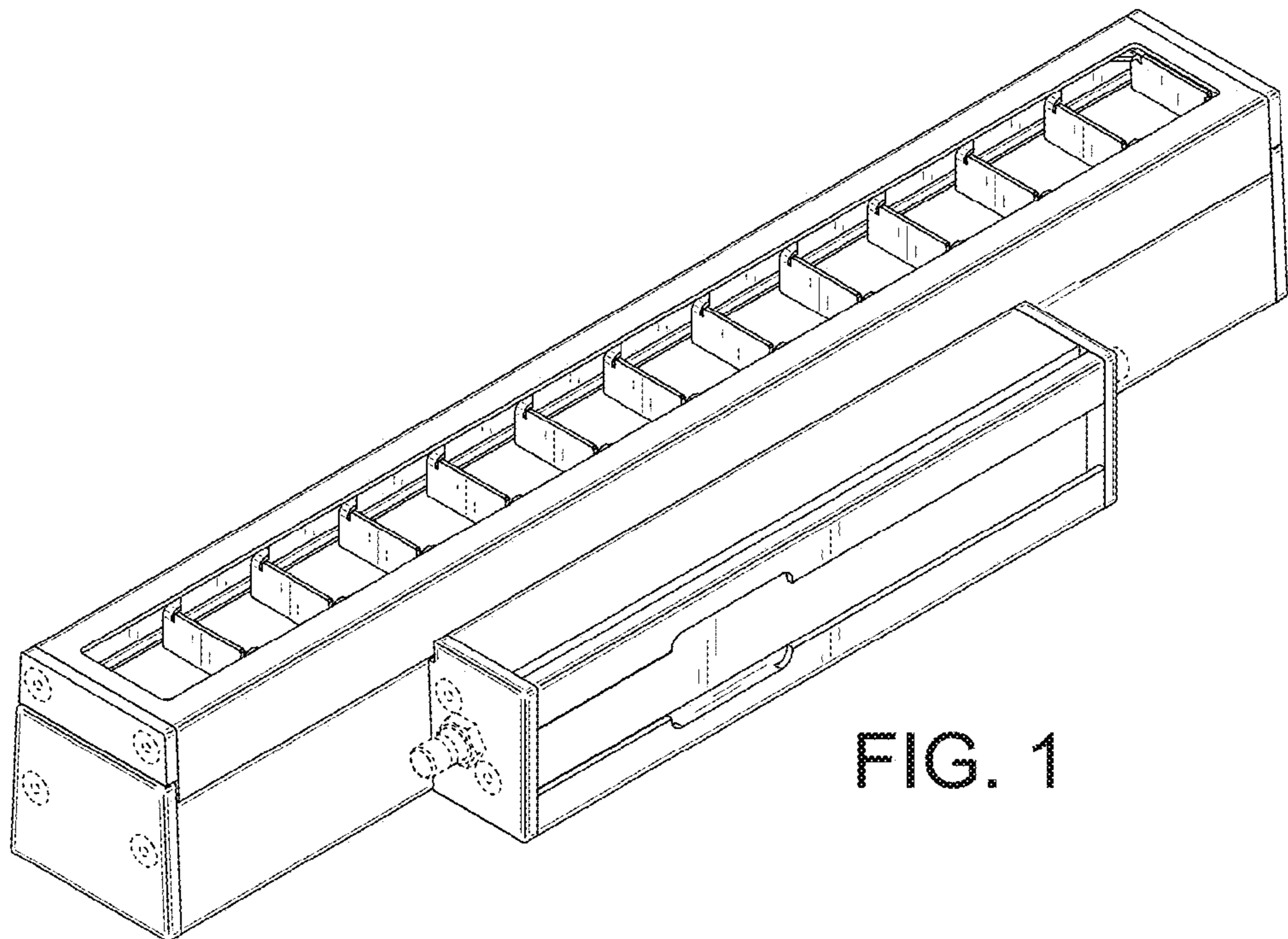


FIG. 1

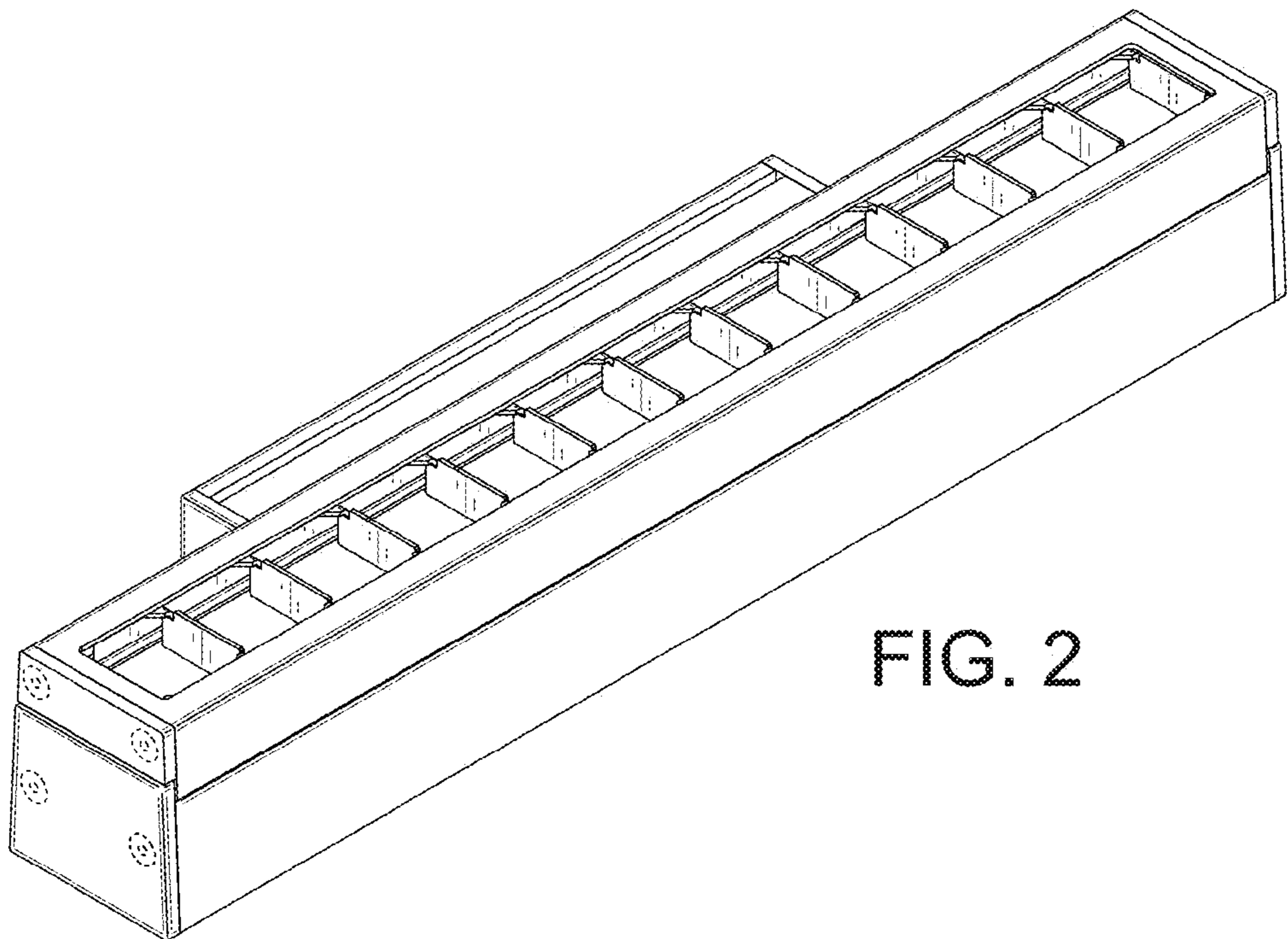


FIG. 2

FIG. 3

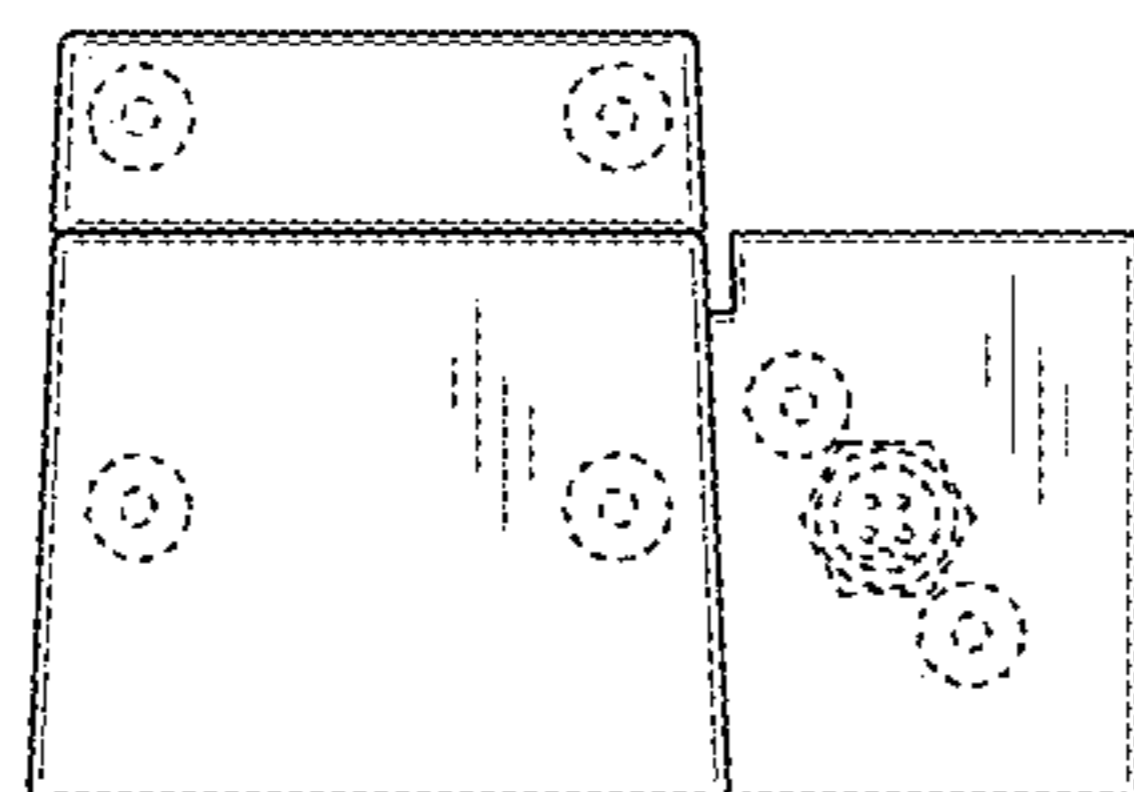
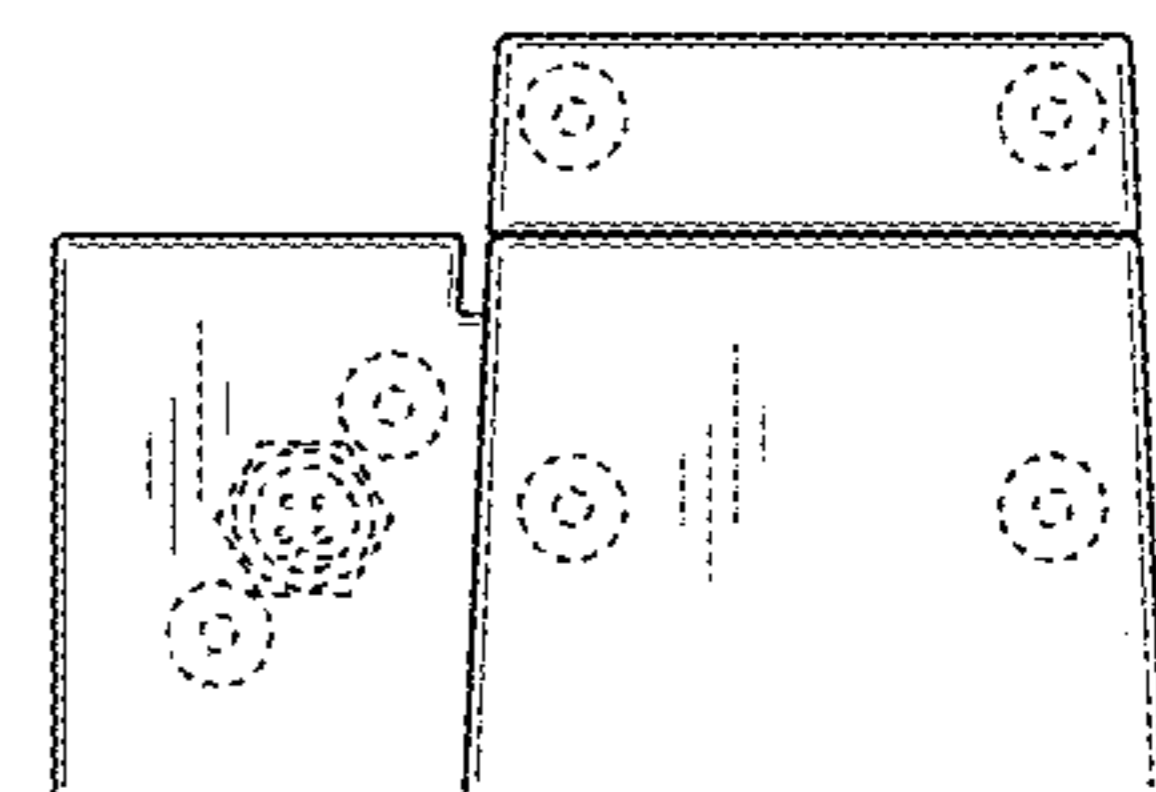


FIG. 4



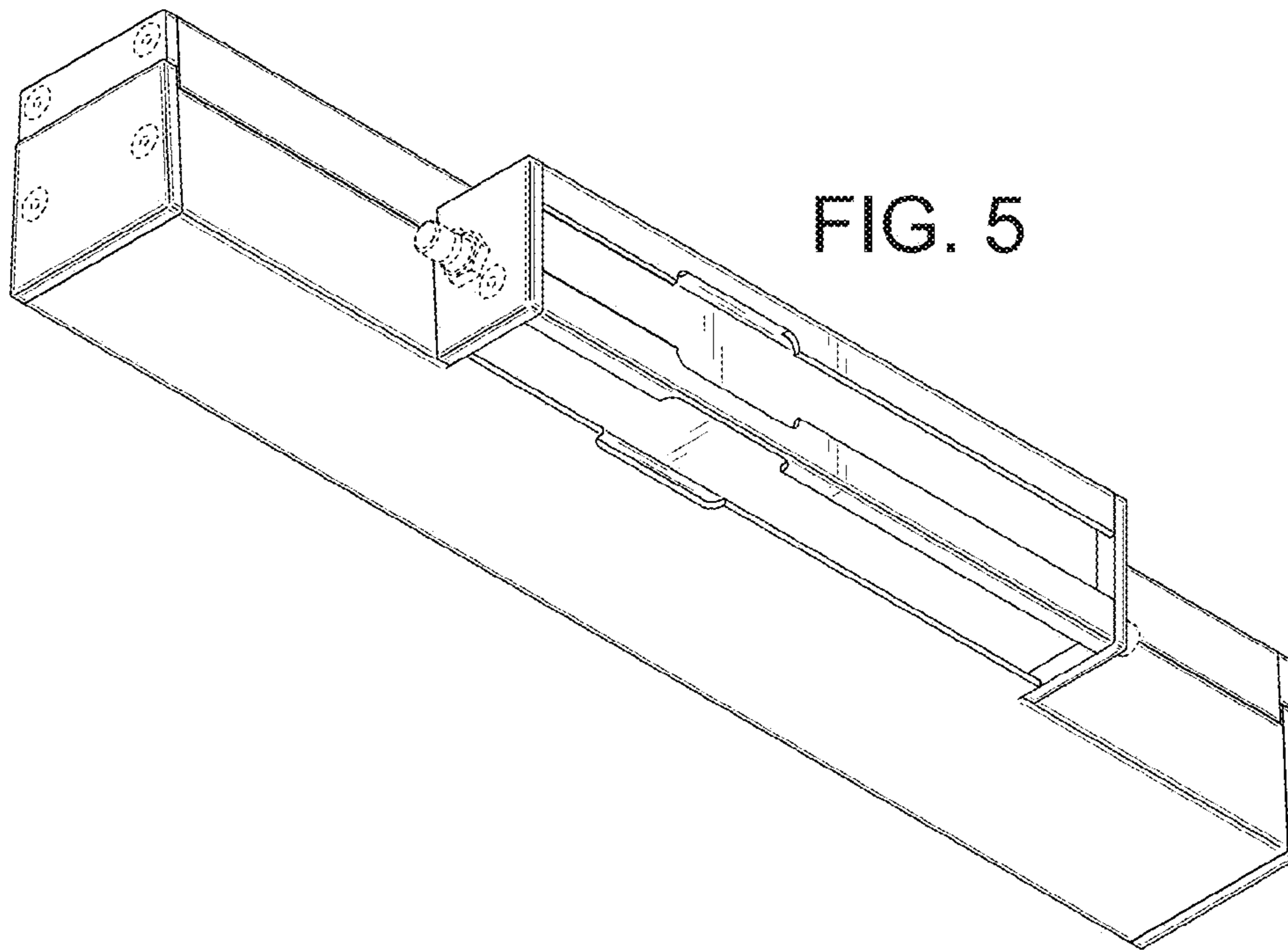


FIG. 5

FIG. 6

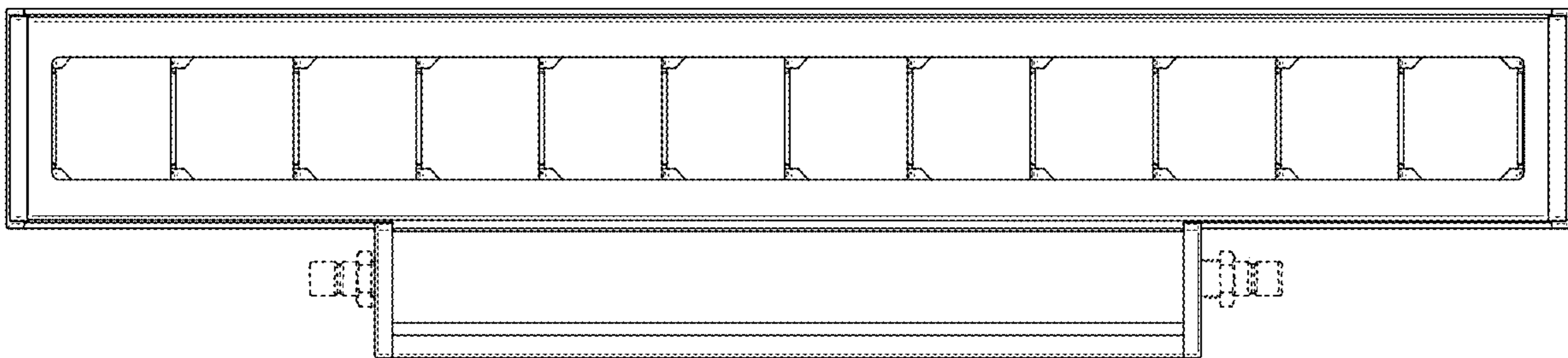
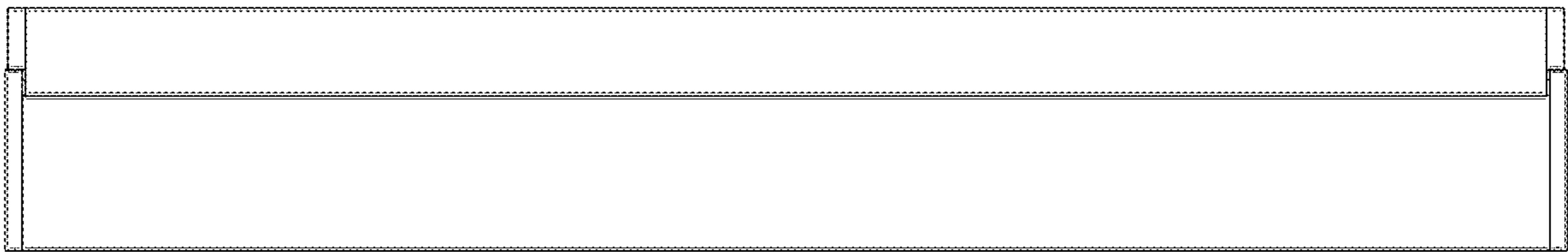
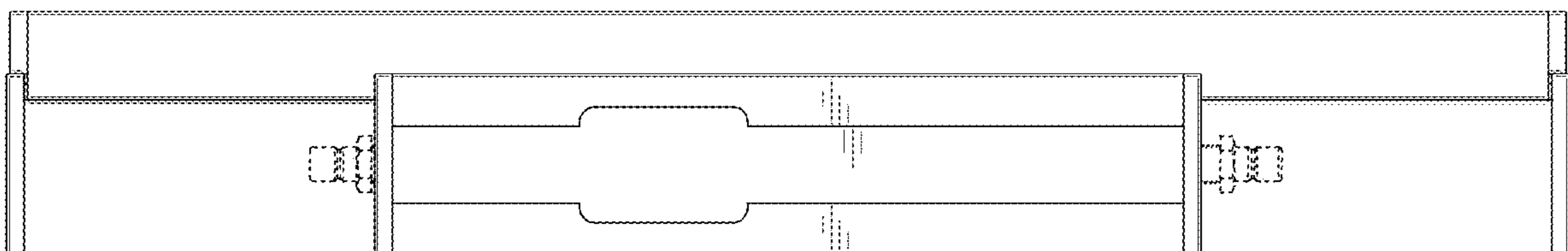


FIG. 7

FIG. 8



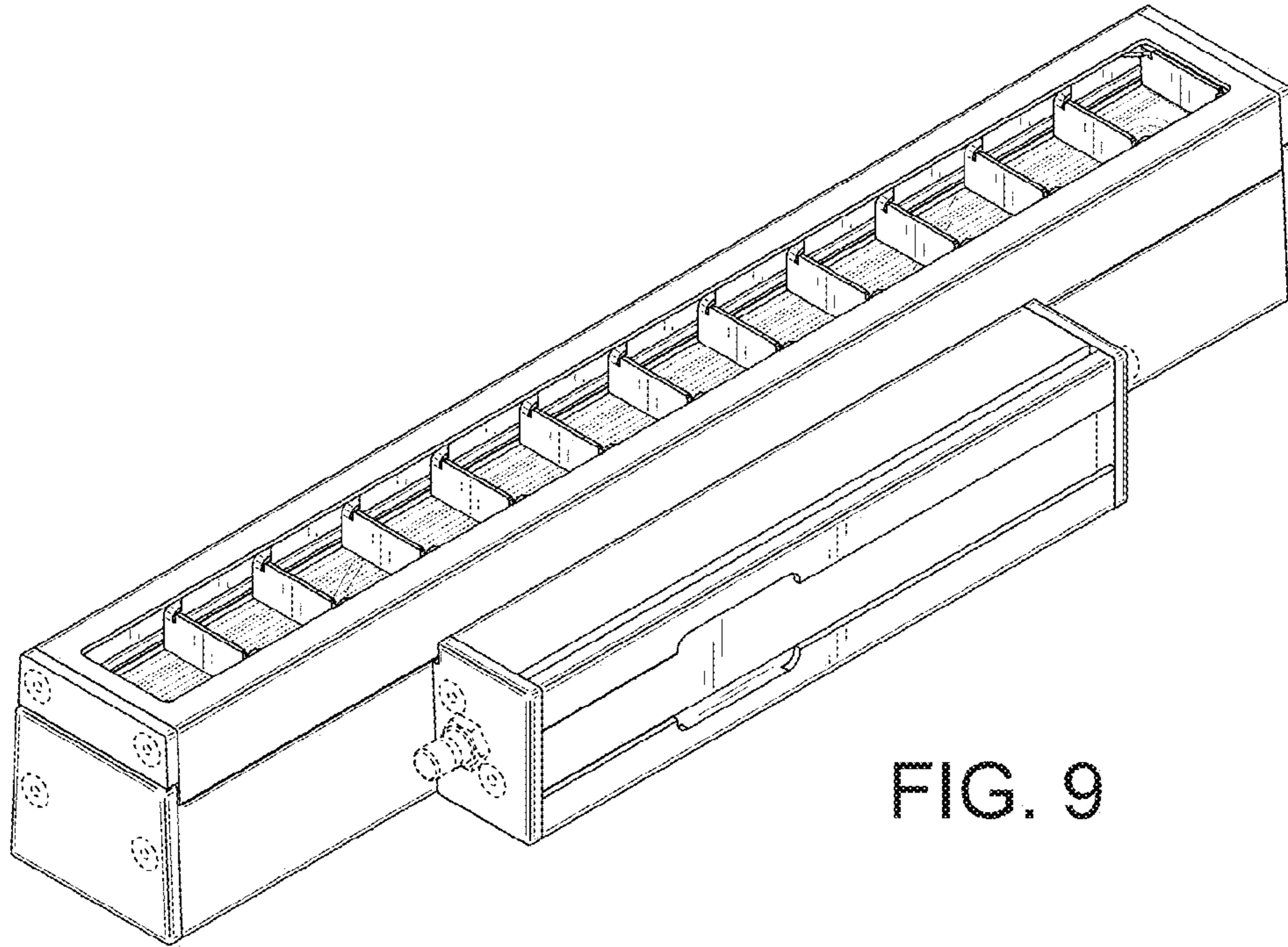


FIG. 9

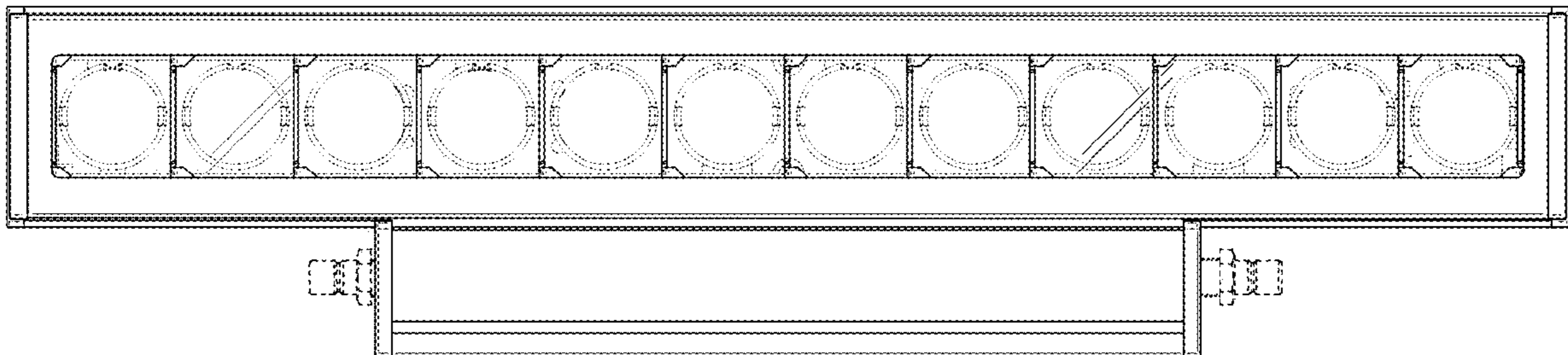


FIG. 10

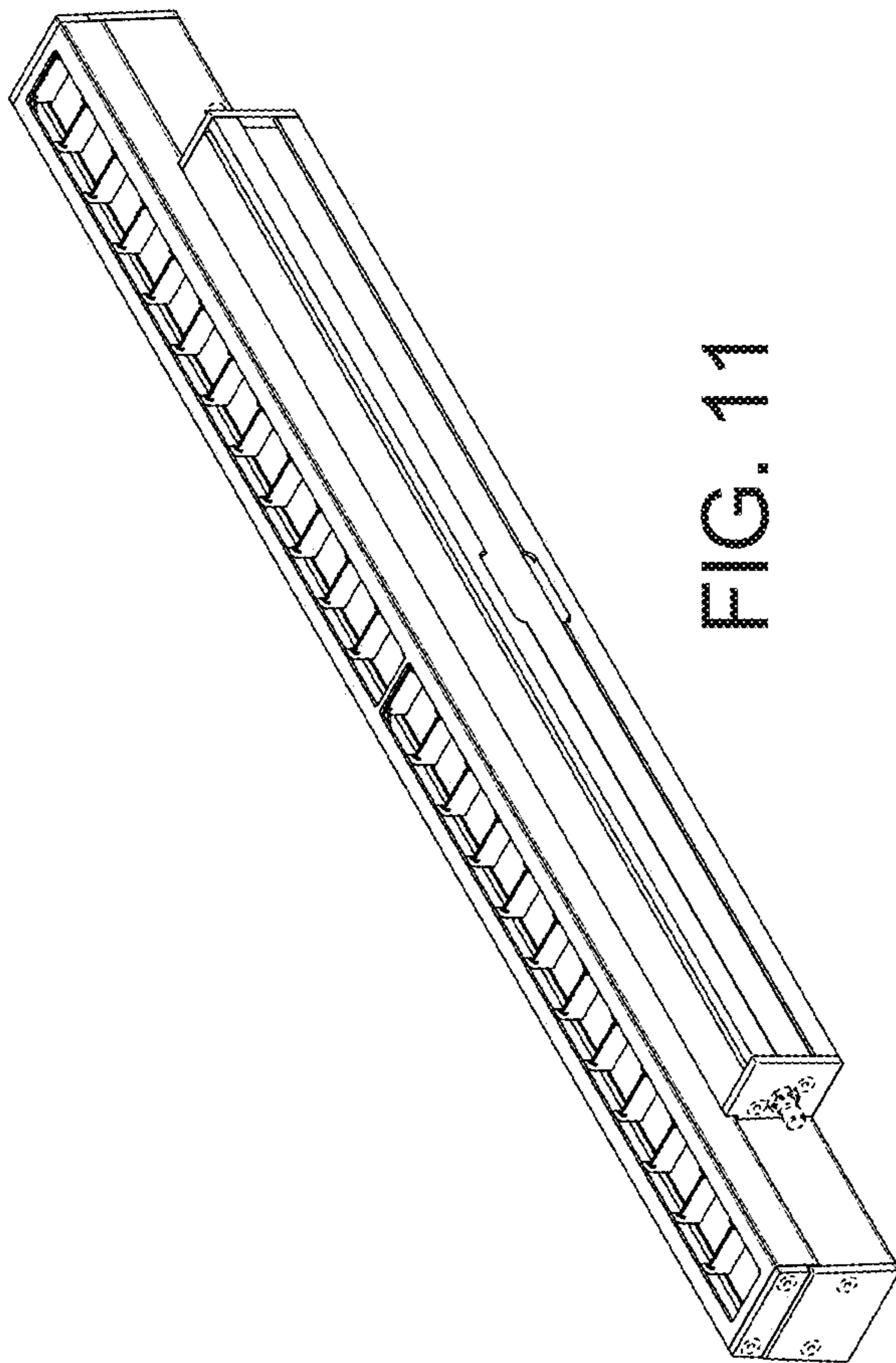


FIG. 11

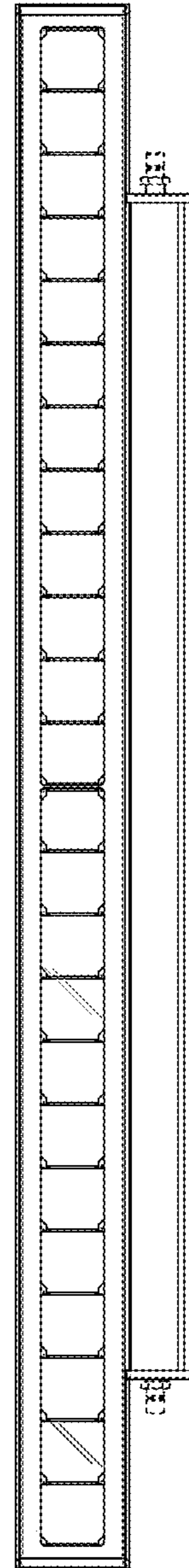


FIG. 12

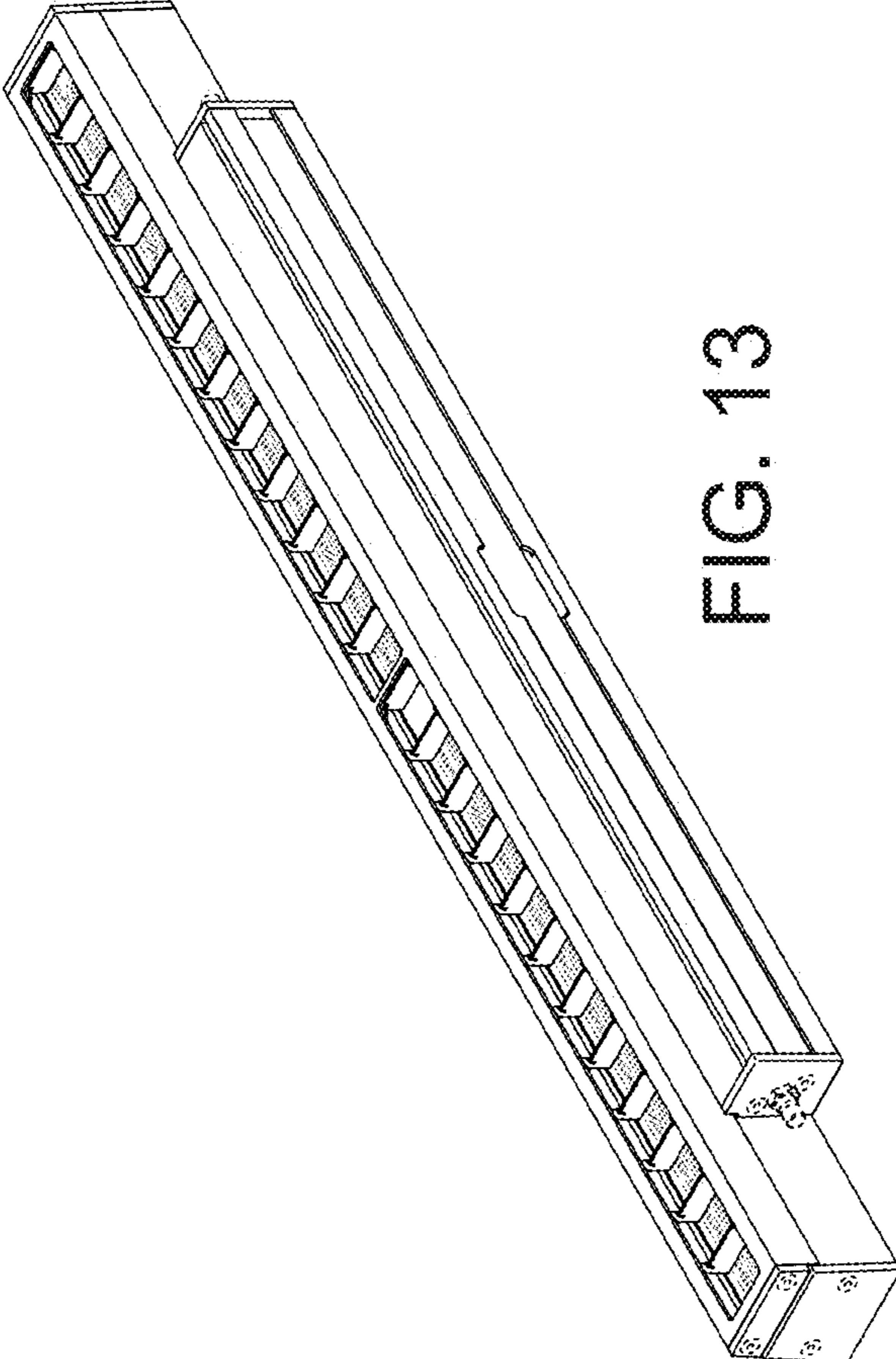


FIG. 13

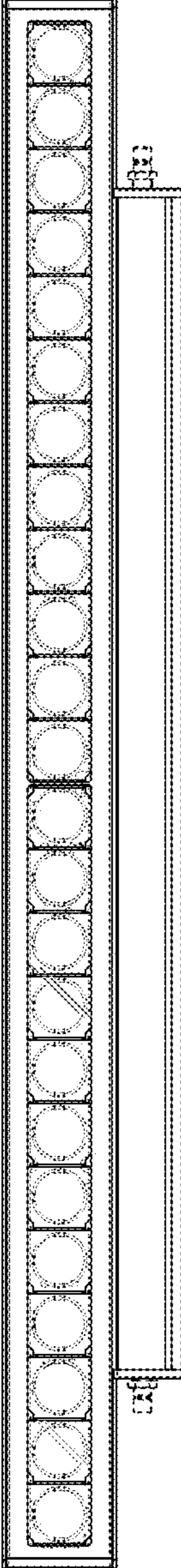


FIG. 14

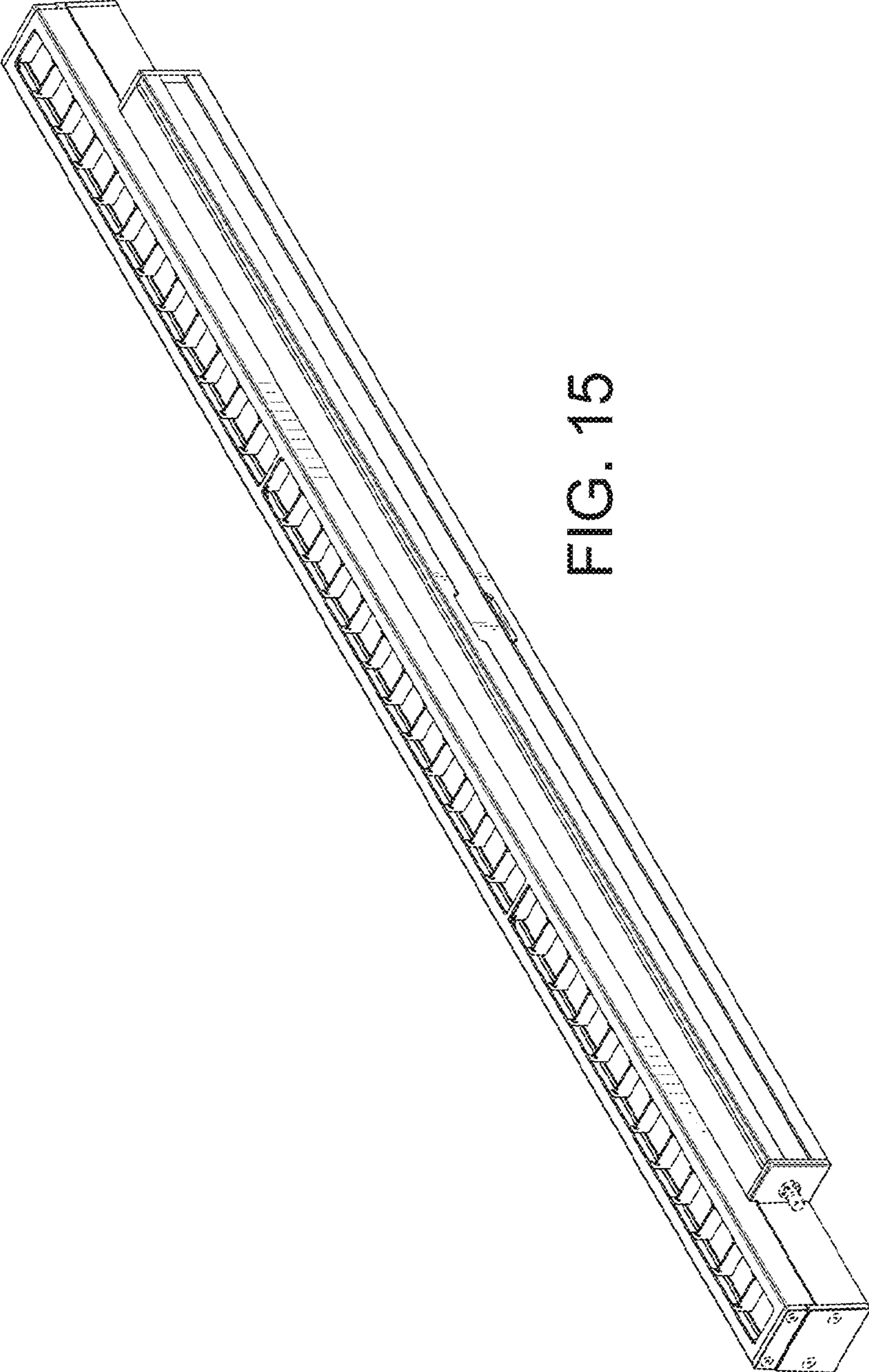


FIG. 15

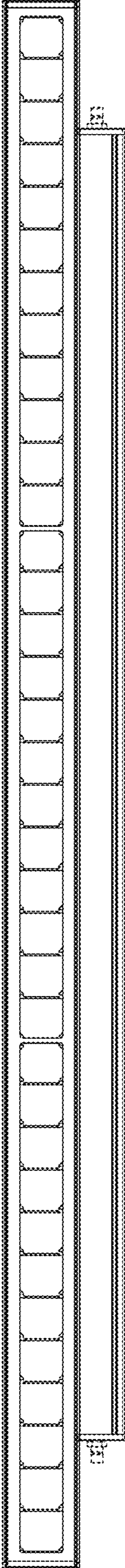


FIG. 16

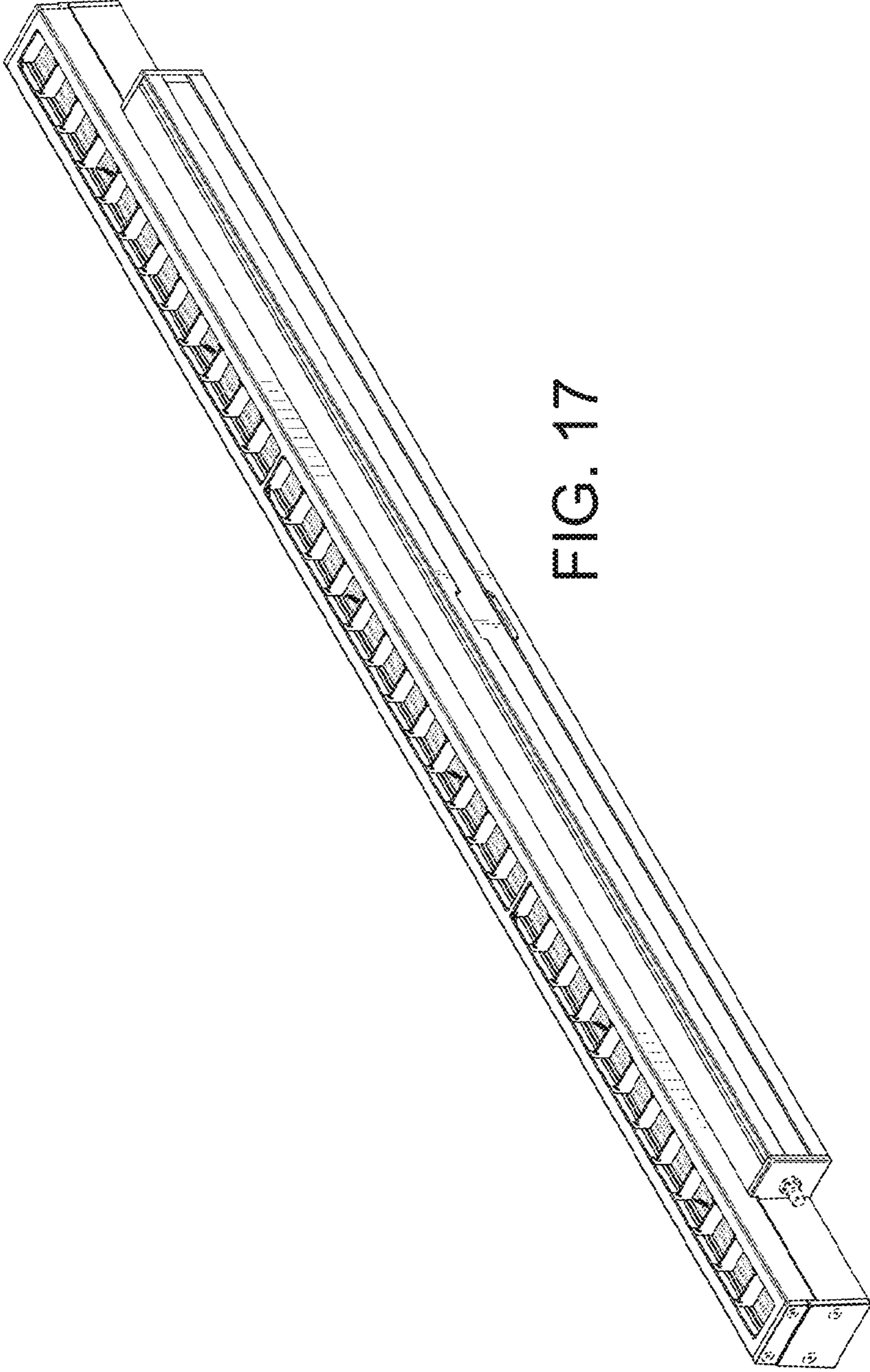


FIG. 17

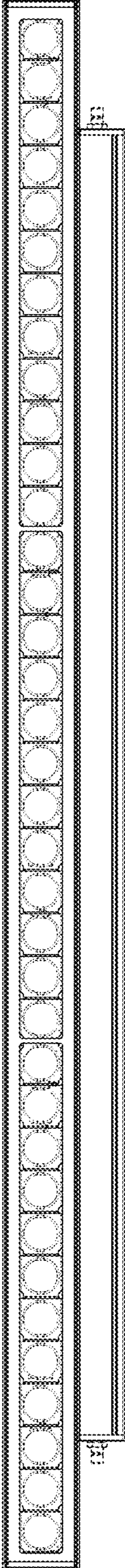


FIG. 18

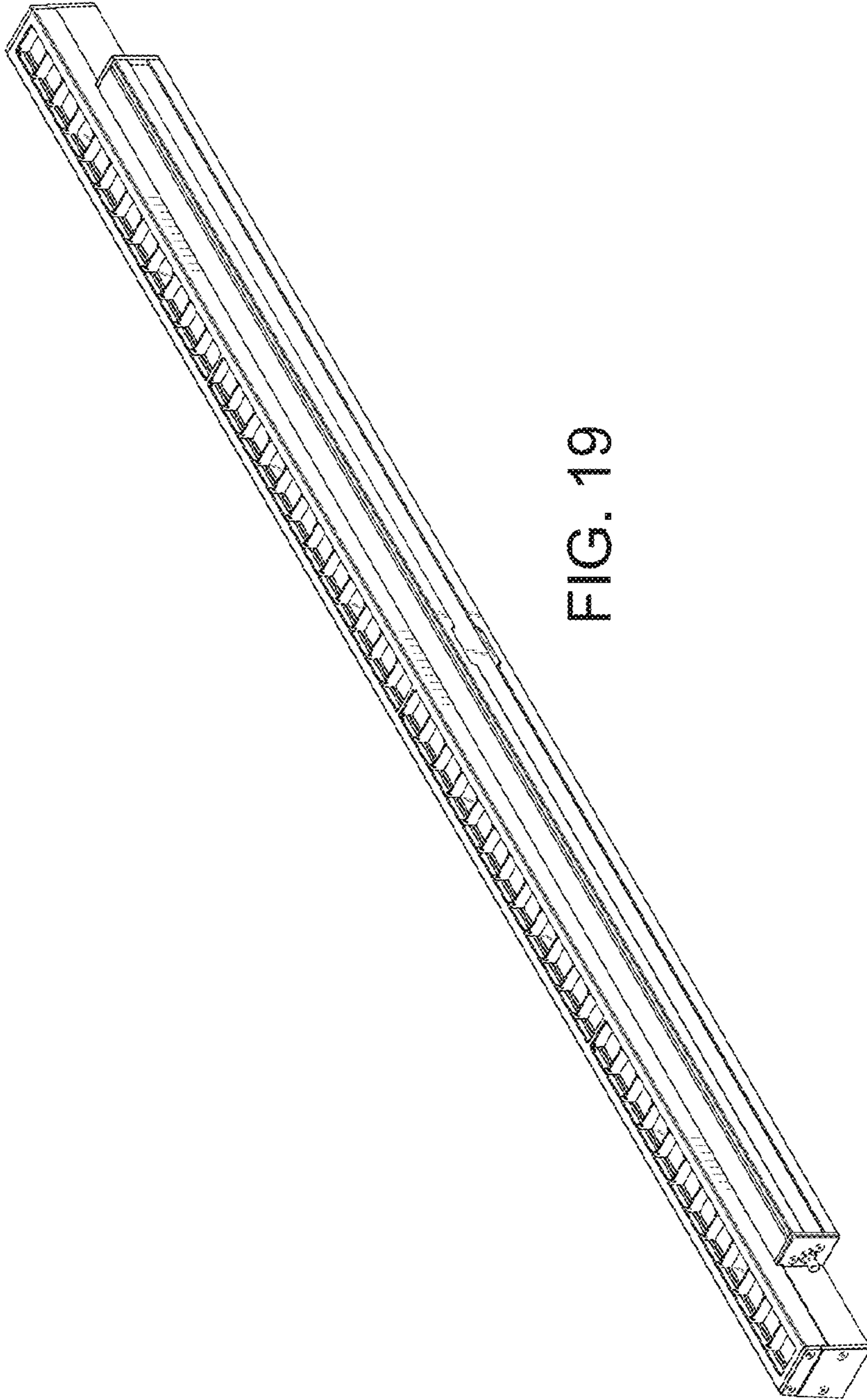


FIG. 19

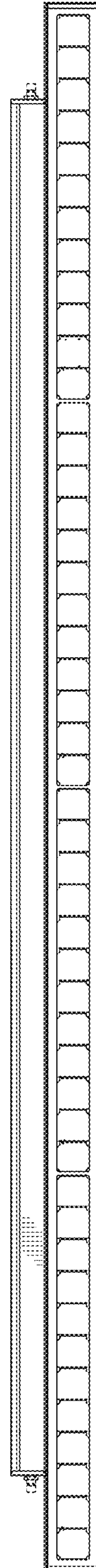


FIG. 20

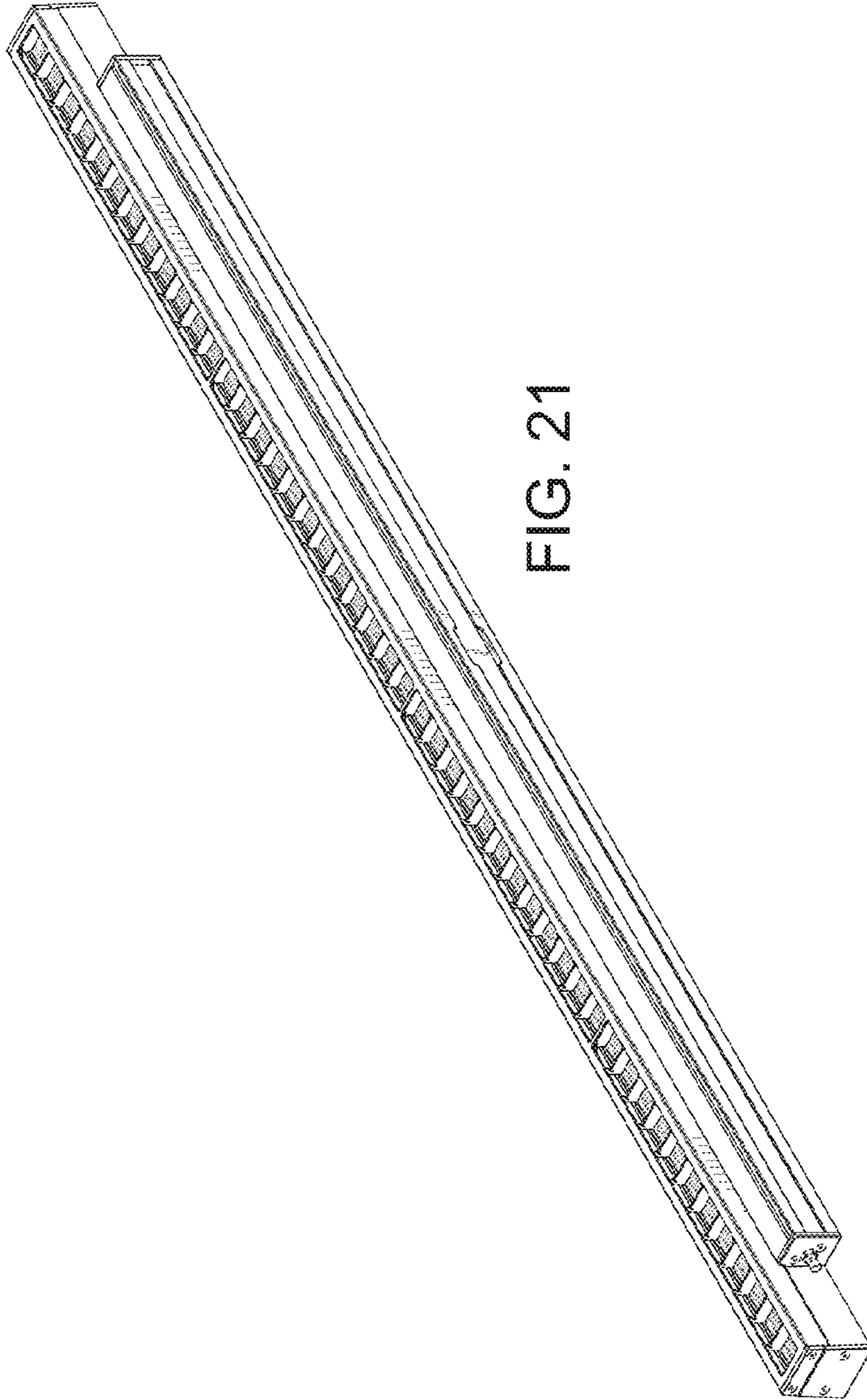


FIG. 21

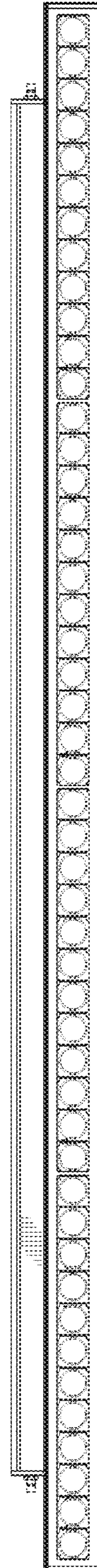


FIG. 22