



US00D974626S

(12) **United States Design Patent**
Wang et al.

(10) **Patent No.:** **US D974,626 S**
(45) **Date of Patent:** **** Jan. 3, 2023**

(54) **PANEL LIGHT**

D744,689 S 12/2015 Maxik et al.
D812,610 S * 3/2018 Varghese D14/371
D828,620 S * 9/2018 Möller D26/63

(71) Applicant: **SHENZHEN NEEWER TECHNOLOGY CO. LTD**, Shenzhen (CN)

(Continued)

FOREIGN PATENT DOCUMENTS

(72) Inventors: **Jun Wang**, Shenzhen (CN); **Yan Ke**, Shenzhen (CN); **Jilin Liao**, Shenzhen (CN)

EM 008583439-0003 * 6/2021

OTHER PUBLICATIONS

(73) Assignee: **SHENZHEN NEEWER TECHNOLOGY CO. LTD**, Shenzhen (CN)

Amazon, "Supon L122T Ultra-Thin LED Video Light Panel", first available Mar. 3, 2017. (<https://www.amazon.com/dp/B01NADFAIY/>) (Year: 2017).*

(Continued)

(**) Term: **15 Years**

Primary Examiner — Lauren D McVey
Assistant Examiner — Justin A Johnson
(74) *Attorney, Agent, or Firm* — Westbridge IP LLC

(21) Appl. No.: **29/795,765**

(22) Filed: **Jun. 21, 2021**

(51) **LOC (14) Cl.** **26-05**

(52) **U.S. Cl.**
USPC **D26/63**

(58) **Field of Classification Search**
USPC D14/126; D26/1, 24, 60, 63, 64, 65, 66, D26/93, 104, 106, 107
CPC F21L 2/00; F21L 4/00; F21L 4/02; F21L 4/025; F21L 4/027; F21L 14/00; F21S 2/00; F21S 8/03; F21S 8/033; F21S 8/035; F21S 6/002; F21S 6/004; F21S 8/036; F21S 8/037; F21S 9/00; F21S 9/02; F21V 21/10; F21V 21/108; F21W 2121/008

See application file for complete search history.

(57) **CLAIM**

The ornamental design for a panel light, as shown and described.

DESCRIPTION

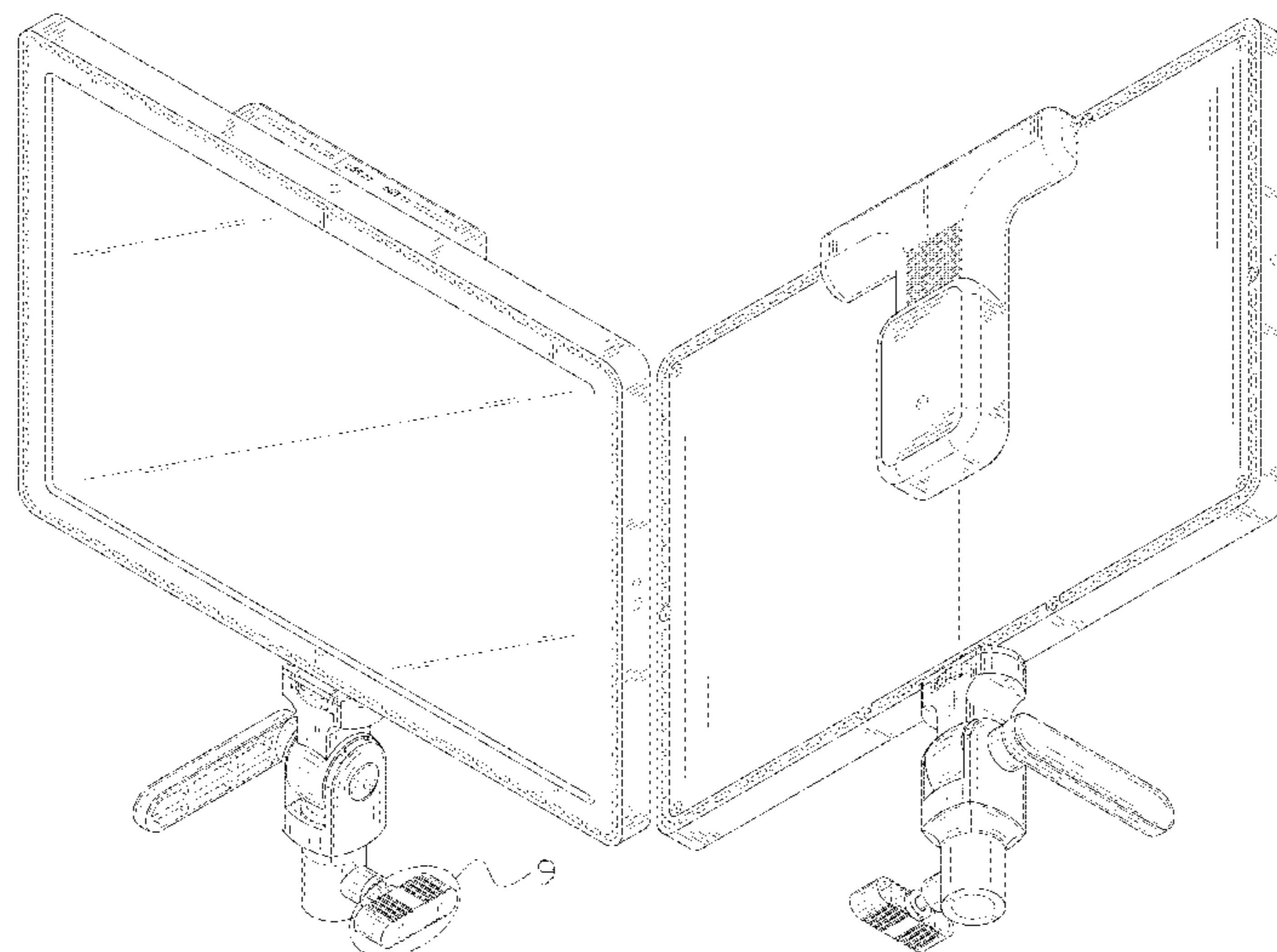
FIG. 1 is a top, front and right side perspective view of a panel light showing our new design;
FIG. 2 is a bottom, rear and left side perspective view thereof;
FIG. 3 is a front elevation view thereof;
FIG. 4 is a rear elevation view thereof;
FIG. 5 is a left side elevation view thereof;
FIG. 6 is a right side elevation view thereof;
FIG. 7 is a top plan view thereof;
FIG. 8 is a bottom plan view thereof; and,
FIG. 9 is an enlarged view of portion 9 in FIG. 1.
The even length broken lines depict portions of the panel light that form no part of the claimed design. In addition, the dot-dash broken lines illustrate enlarged portions of the design. None of the broken lines form part of the claimed design.

(56) **References Cited**

U.S. PATENT DOCUMENTS

D412,167 S * 7/1999 Rosen D14/452
D412,899 S * 8/1999 Rosen D14/126
D416,251 S * 11/1999 Rosen D14/126
D565,772 S * 4/2008 Guercio D26/71
D663,881 S 7/2012 Janssen
D720,488 S 12/2014 Toyohisa et al.
D729,969 S 5/2015 Boyer et al.

1 Claim, 9 Drawing Sheets



(56)

References Cited

U.S. PATENT DOCUMENTS

D844,211 S 3/2019 Straus et al.
D861,948 S 10/2019 Xu
D884,245 S * 5/2020 Ke F16M 11/18
D26/65
D901,743 S 11/2020 Wang et al.
D919,151 S * 5/2021 Wu D26/63
D921,260 S * 6/2021 Ke D26/65
D932,080 S * 9/2021 Wang D16/250
D937,251 S * 11/2021 Peng D16/237
2017/0202067 A1 * 7/2017 Lin F21V 3/06
2018/0111555 A1 * 4/2018 Men F16M 11/18

OTHER PUBLICATIONS

Amazon, "Raleno LED Video Soft Light Panel", first available Mar. 15, 2019. (<https://www.amazon.com/dp/B07PMSBLTH/>) (Year: 2019).*

Amazon, "Neewer Ultra-Thin LED Soft Light Panel", first available Apr. 24, 2020. (<https://www.amazon.com/Neewer-Ultra-Thin-Dimmable-3200K-5600K-Portraits/dp/B0869H68M6/>) (Year: 2020).*

Amazon, "Sokani P25 Key Light", first available Jul. 20, 2021. (<https://www.amazon.com/dp/B099W99NDZ/>) (Year: 2021).*

* cited by examiner

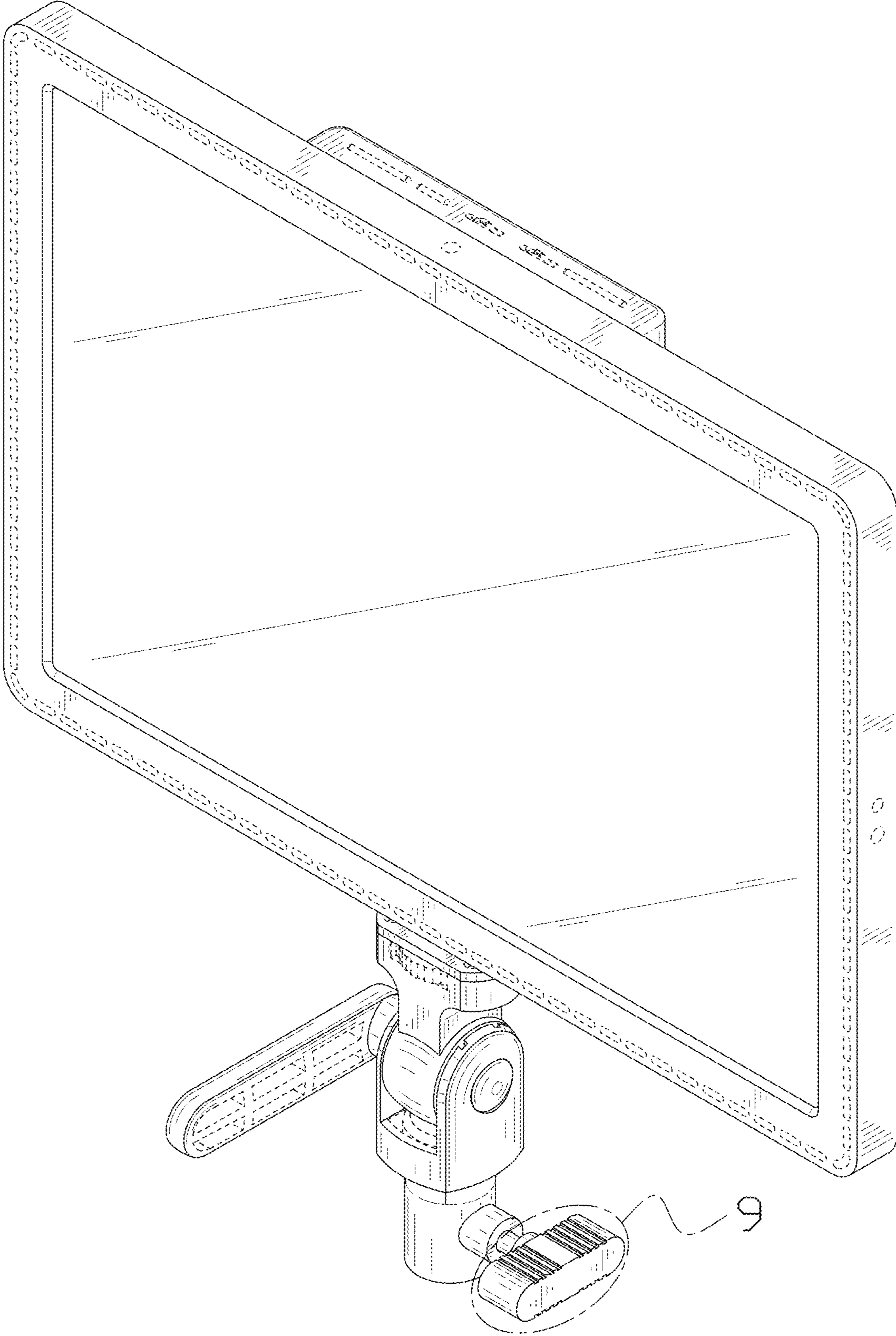


FIG. 1

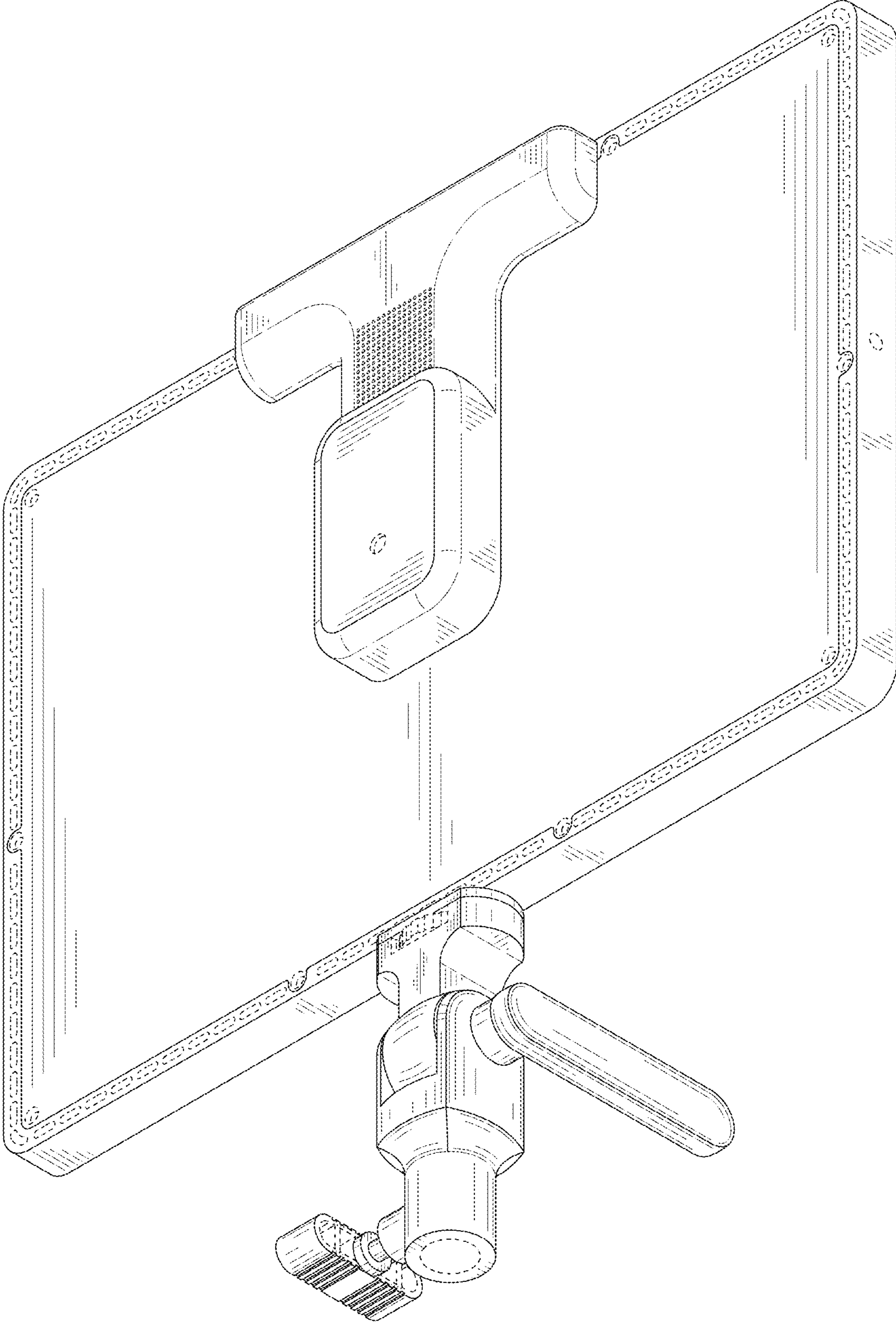


FIG. 2

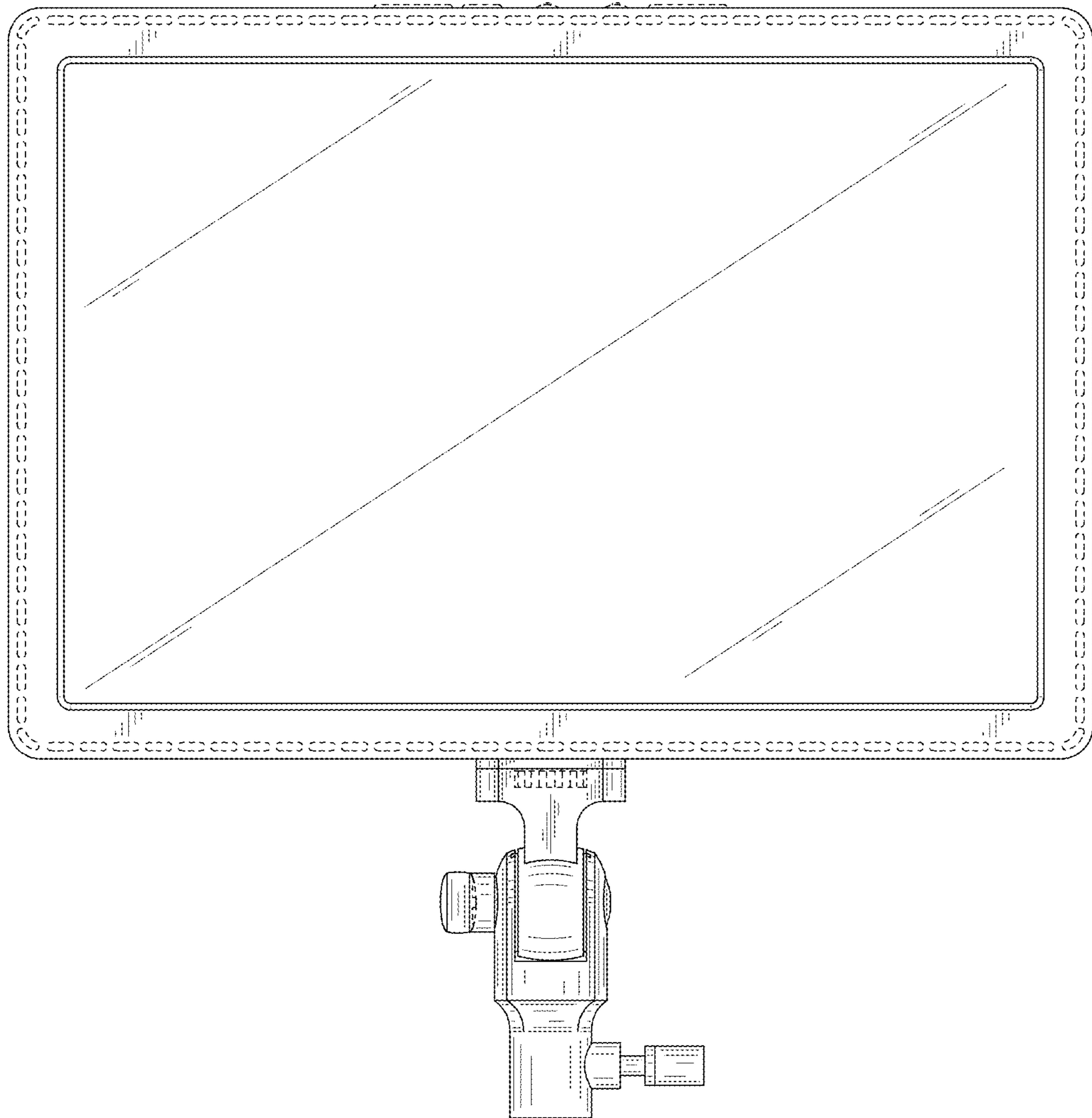


FIG. 3

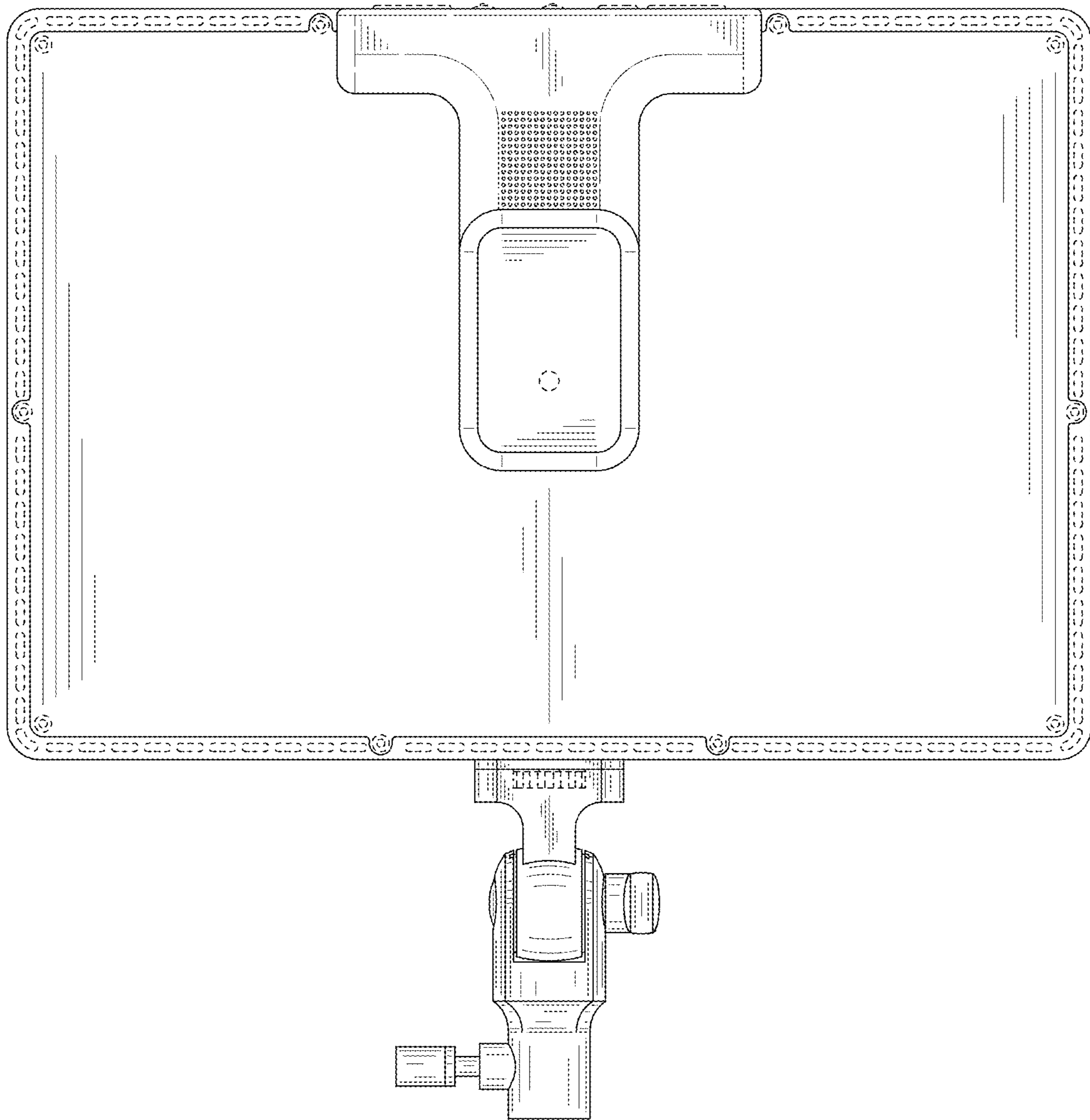


FIG. 4

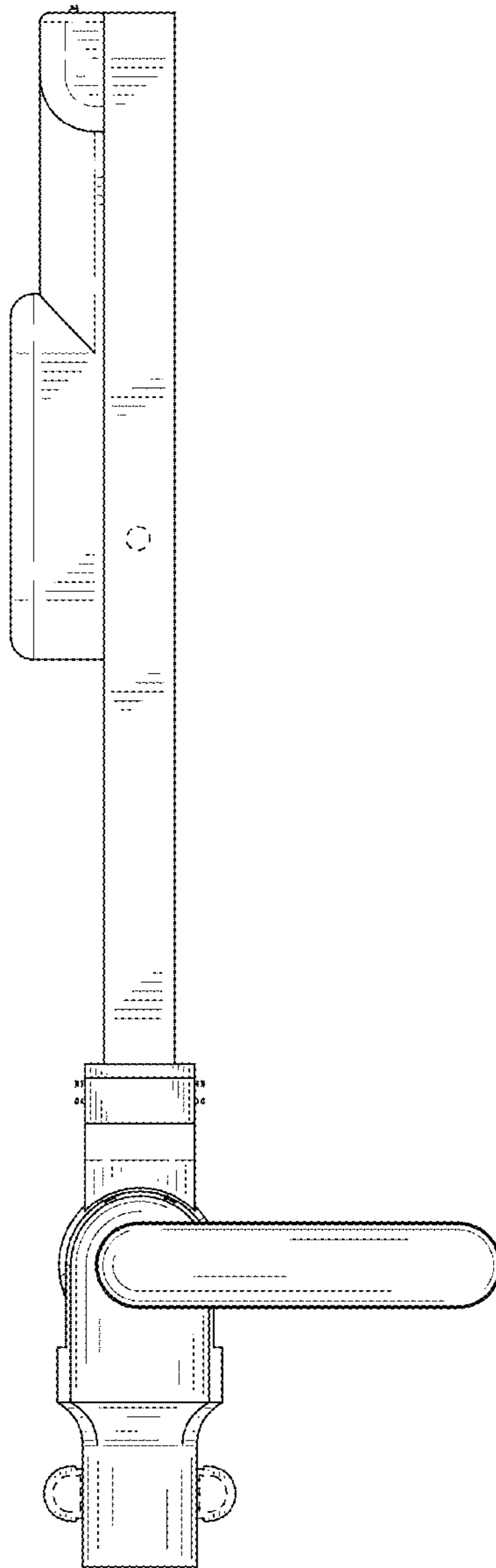


FIG. 5

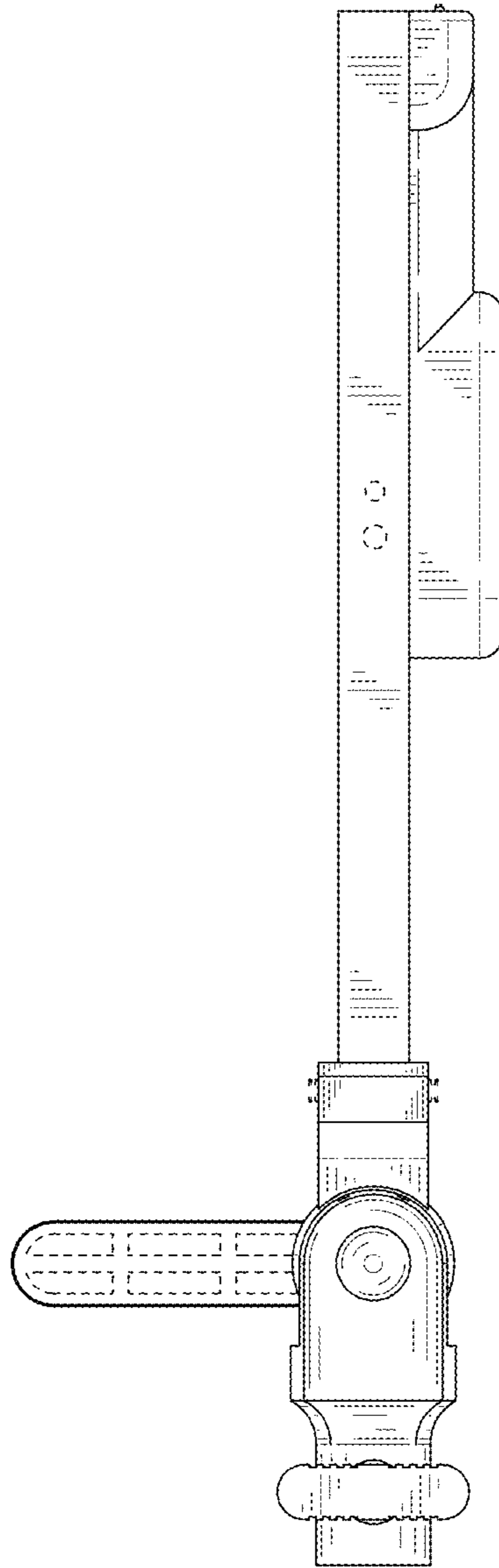


FIG. 6

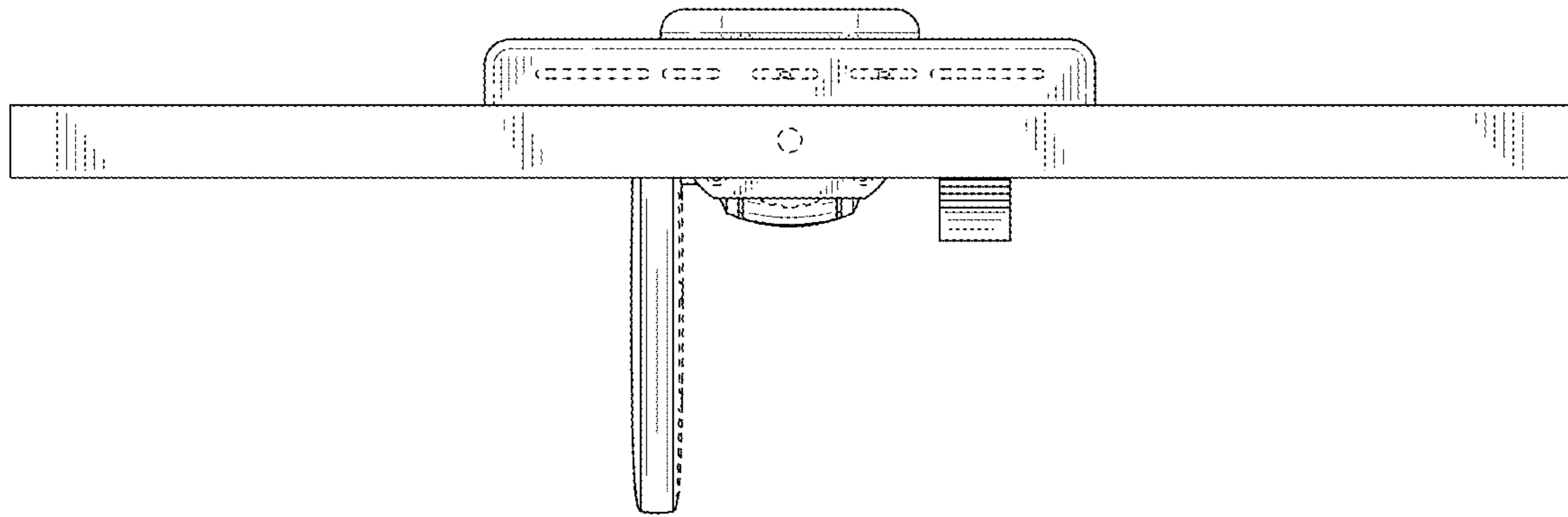


FIG. 7

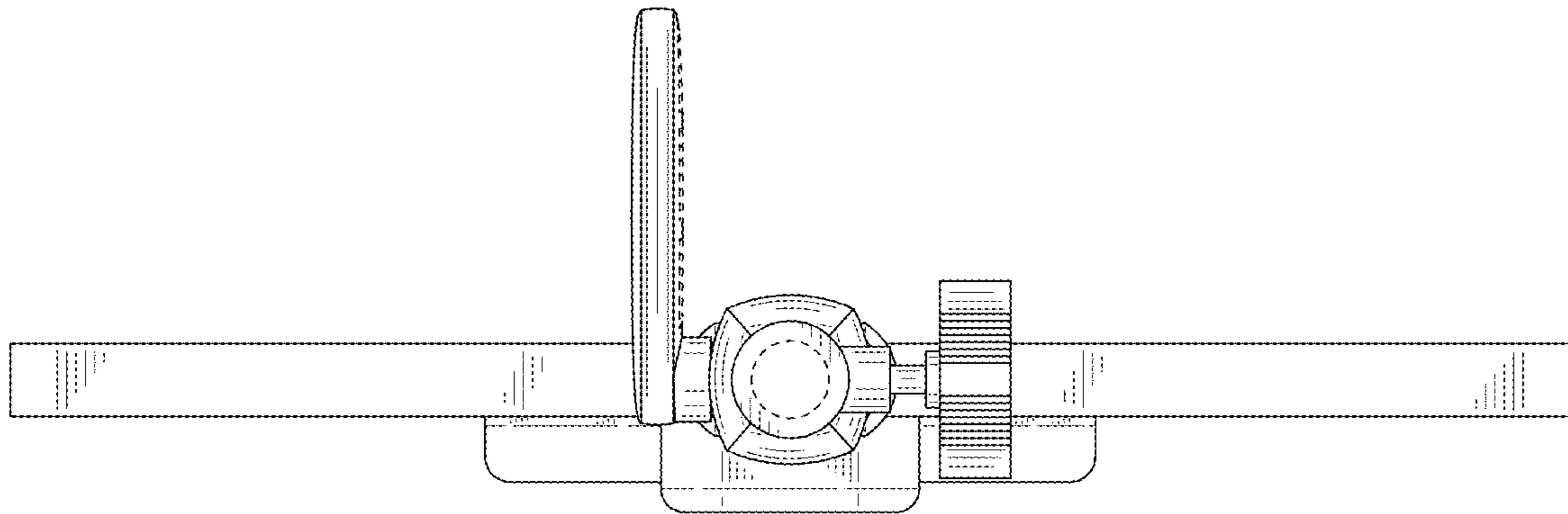


FIG. 8

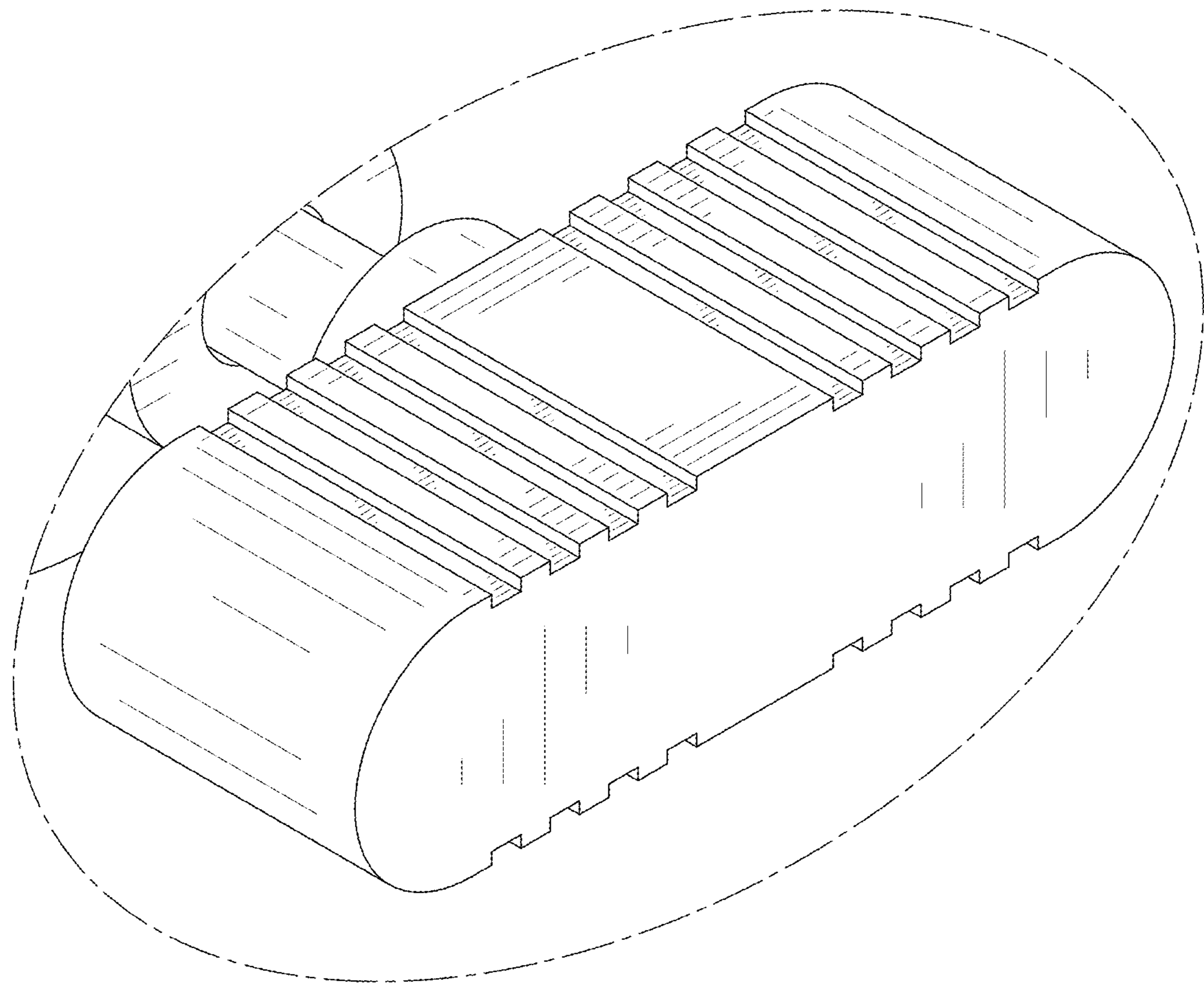


FIG. 9