



US00D974625S

(12) **United States Design Patent** (10) **Patent No.:** **US D974,625 S**  
**Xiao** (45) **Date of Patent:** **\*\* Jan. 3, 2023**

(54) **LANDSCAPE LIGHT**

(71) Applicant: **Longcai Xiao**, Shenzhen (CN)

(72) Inventor: **Longcai Xiao**, Shenzhen (CN)

(\*\*) Term: **15 Years**

(21) Appl. No.: **29/787,822**

(22) Filed: **Jun. 9, 2021**

(51) **LOC (14) Cl.** ..... **26-05**

(52) **U.S. Cl.**  
USPC ..... **D26/63; D26/67**

(58) **Field of Classification Search**  
USPC ..... D26/63, 67, 70, 85  
CPC .... F21S 8/03; F21S 8/033; F21S 8/036; F21S 8/081; F21S 9/037; F21W 2111/02; F21W 2111/023; F21W 2131/109  
See application file for complete search history.

(56) **References Cited**

**U.S. PATENT DOCUMENTS**

D340,305 S *	10/1993	Hall	.....	D26/68
D383,236 S *	9/1997	Krogman	.....	D26/63
D437,652 S *	2/2001	Uhler	.....	D26/63
D773,707 S *	12/2016	Lentine	.....	D26/63
D824,070 S	7/2018	Harper		
D849,982 S	5/2019	Harper		
D853,612 S *	7/2019	Zhu	.....	D26/63
D898,974 S	10/2020	Hollinger		
2015/0159842 A1 *	6/2015	Zhang	.....	F21V 31/00 362/231
2015/0308655 A1 *	10/2015	Holmes	.....	F21V 29/717 362/294
2016/0238221 A1 *	8/2016	Lentine	.....	F21S 10/007

**OTHER PUBLICATIONS**

LemonBest Super Bright Outdoor LED Decorative Lamp, ASIN: B01GQ4WR2M. Available from amazon.com as early as Apr. 20, 2018. (Year: 2018).\*  
Original Outdoor Garden Spot and Spike, ASIN: B078PL21QP. Available from amazon.com as early as Aug. 28, 2018. (Year: 2018).\*  
Hypergiant 12W LED Landscape Light, ASIN: B076BCHGCN. Available from amazon.com Apr. 26, 2018. (Year: 2018).\*  
S Sunbell Outdoor Spotlight with stake, ASIN: B09NK9M9NY. Available from amazon.com Dec. 13, 2021. (Year: 2021).\*

\* cited by examiner

*Primary Examiner* — Clare E Heflin

(74) *Attorney, Agent, or Firm* — Runit Ranjit Kanakia

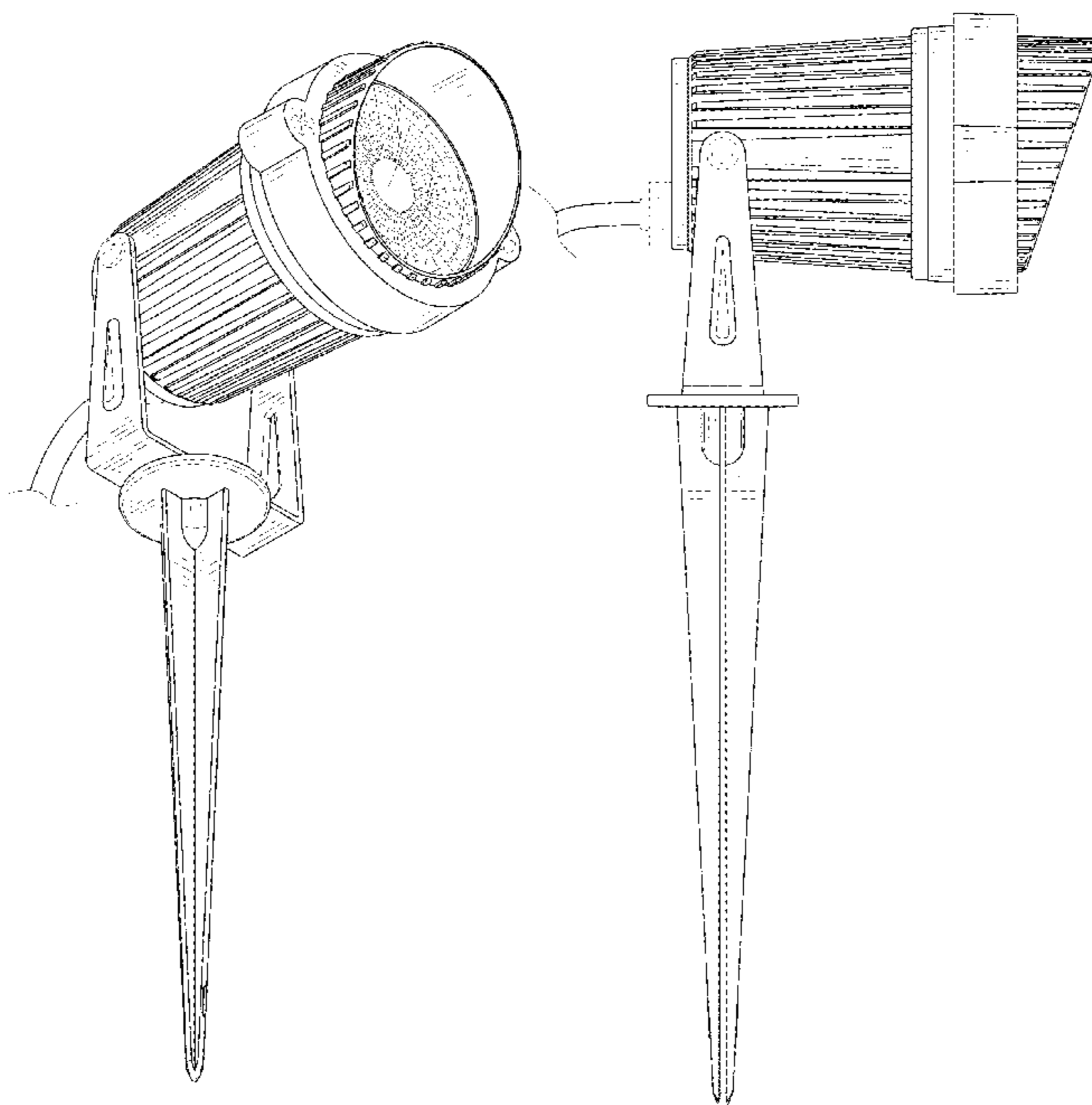
(57) **CLAIM**

The ornamental design for a landscape light, as shown and described.

**DESCRIPTION**

FIG. 1 is a first perspective view of a landscape light showing my new design;  
FIG. 2 is a second perspective view thereof;  
FIG. 3 is a left side view thereof;  
FIG. 4 is a right side view thereof;  
FIG. 5 is a front view thereof;  
FIG. 6 is a rear view thereof;  
FIG. 7 is a top view thereof;  
FIG. 8 is a bottom view thereof;  
FIG. 9 is an enlarged view of the selected portion in FIG. 1; and,  
FIG. 10 is an enlarged view of the selected portion in FIG. 1.  
The broken lines shown in the drawings depict portions of the landscape light in which the design is embodied that form no part of the claimed design.

**1 Claim, 10 Drawing Sheets**



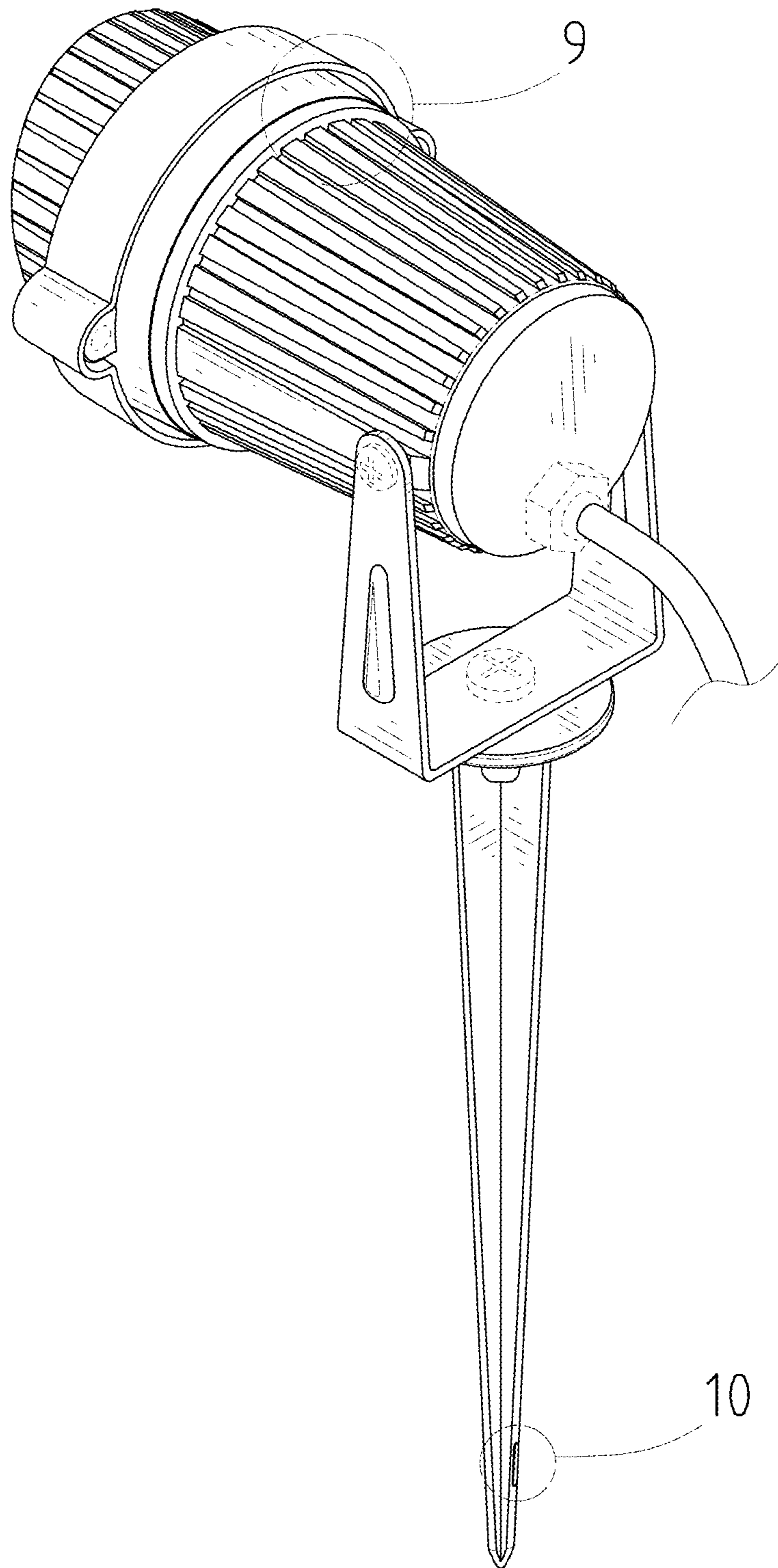


FIG. 1

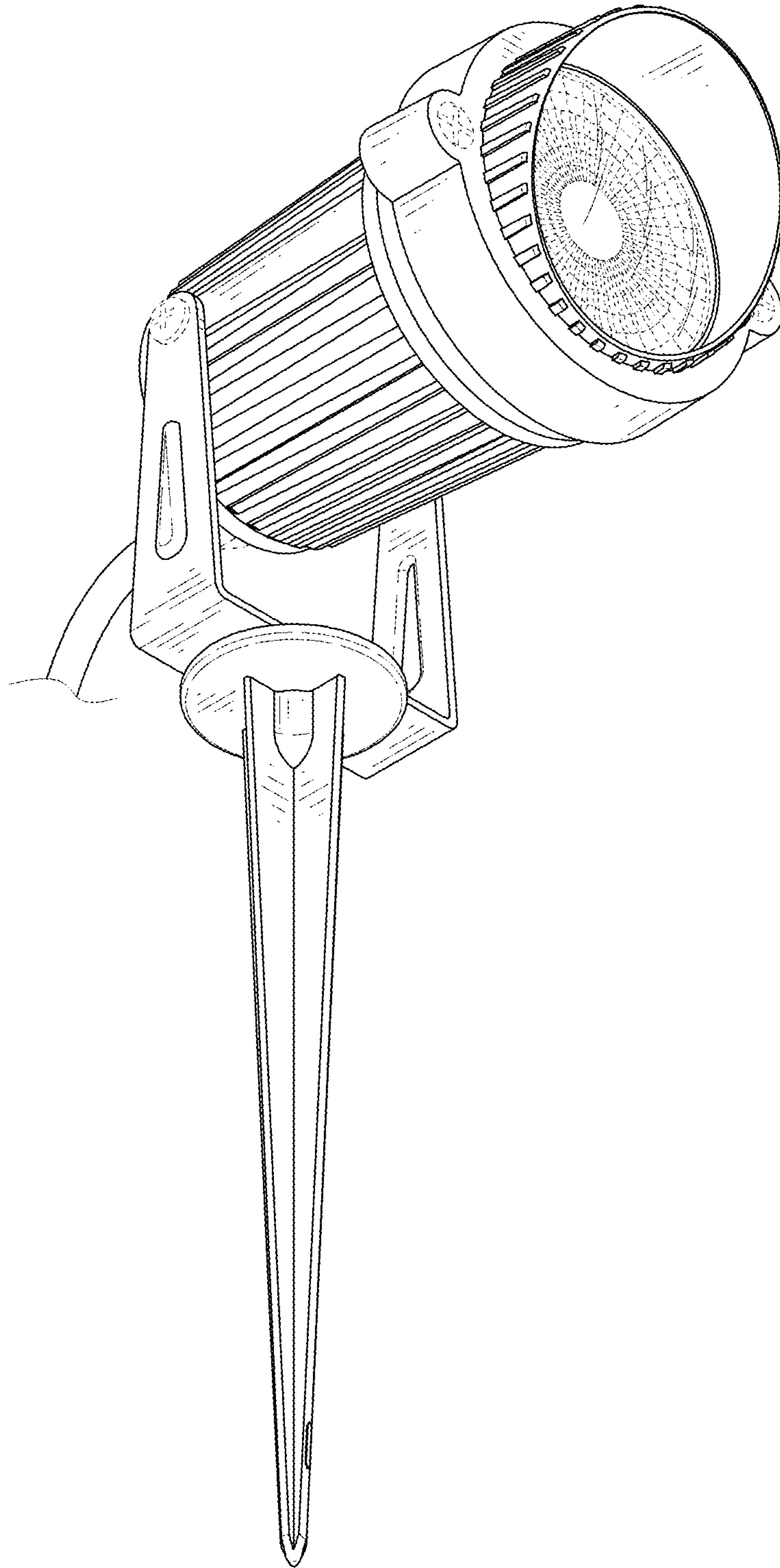


FIG. 2

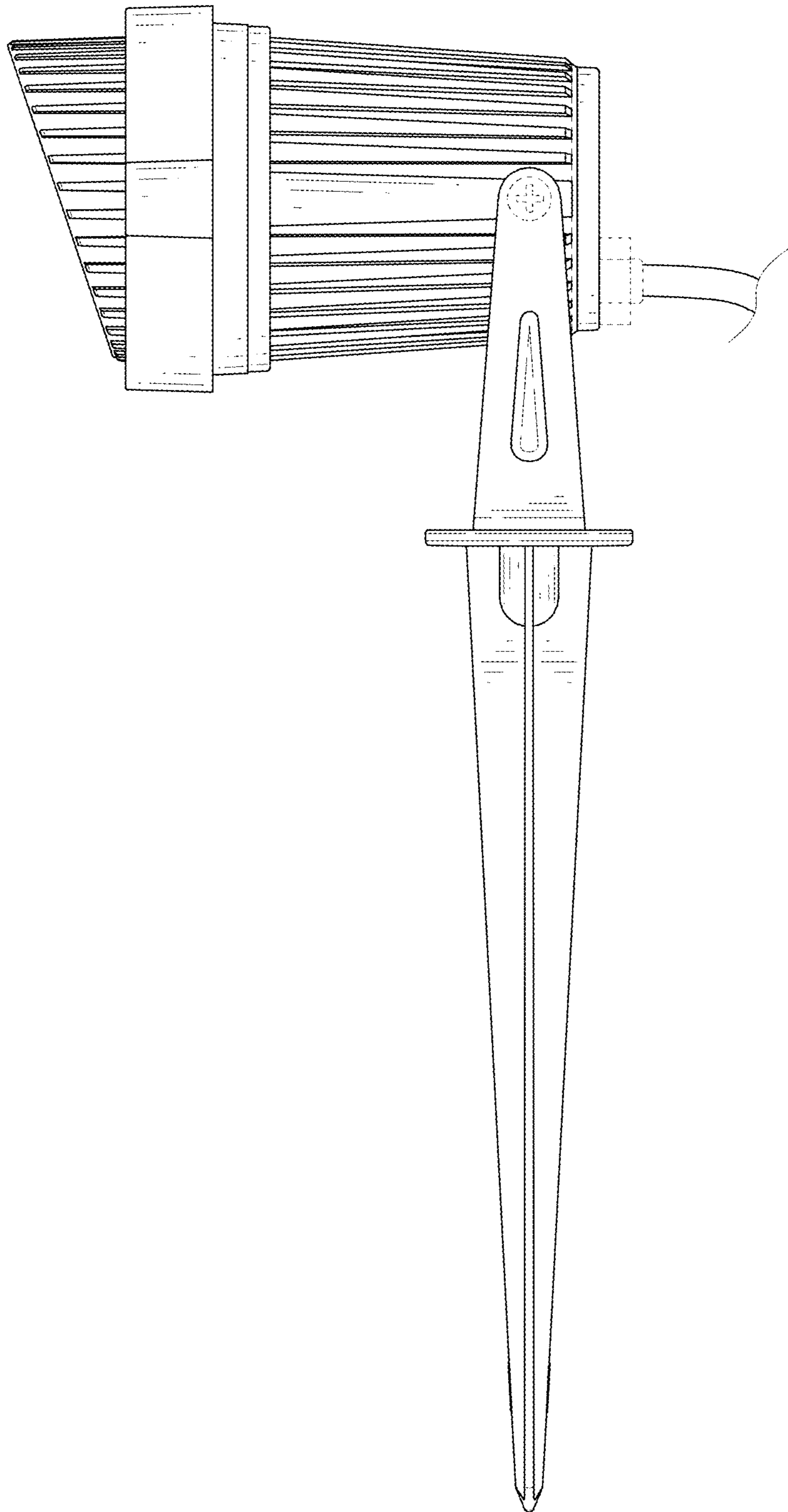


FIG. 3



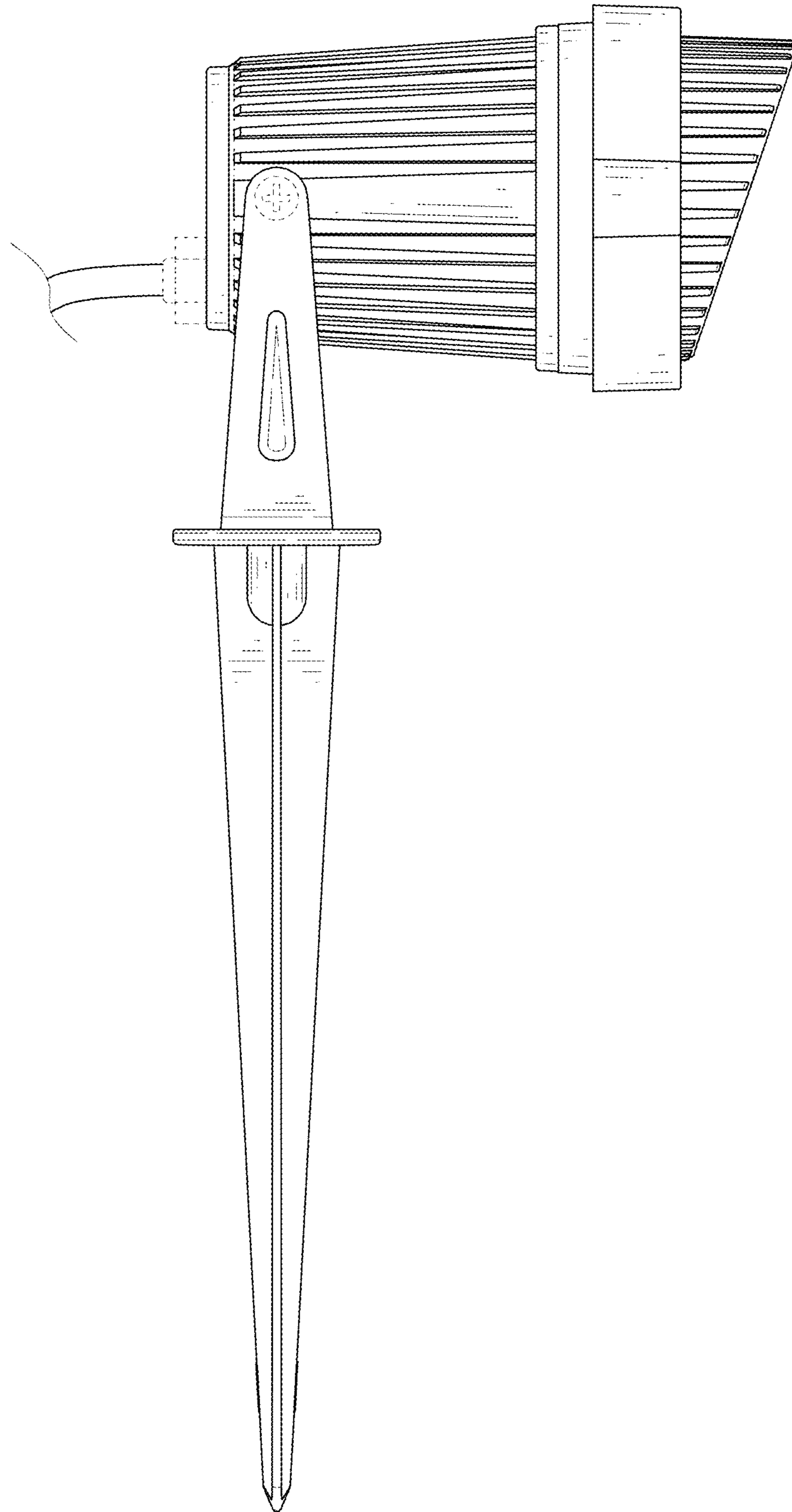


FIG. 4

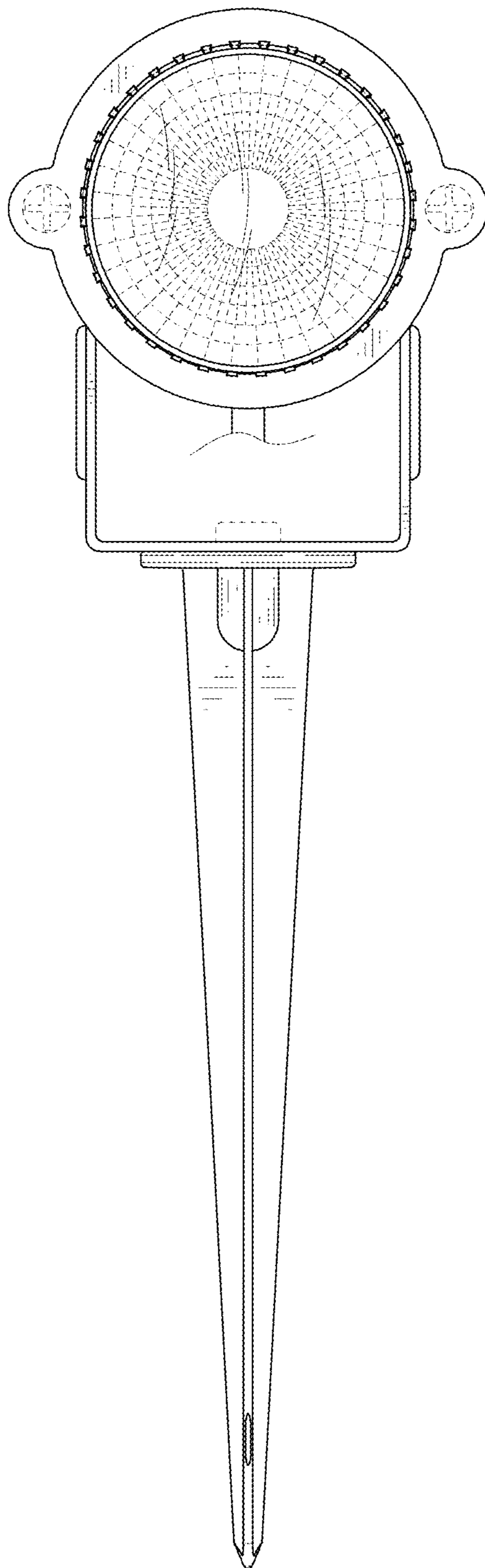


FIG. 5

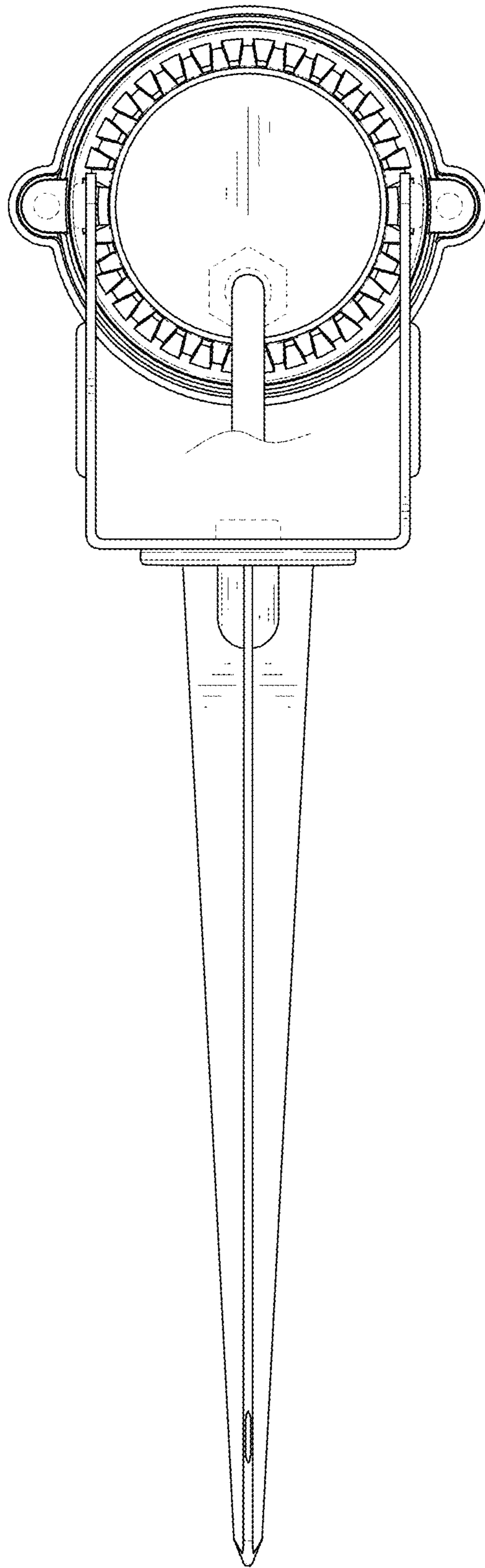


FIG. 6

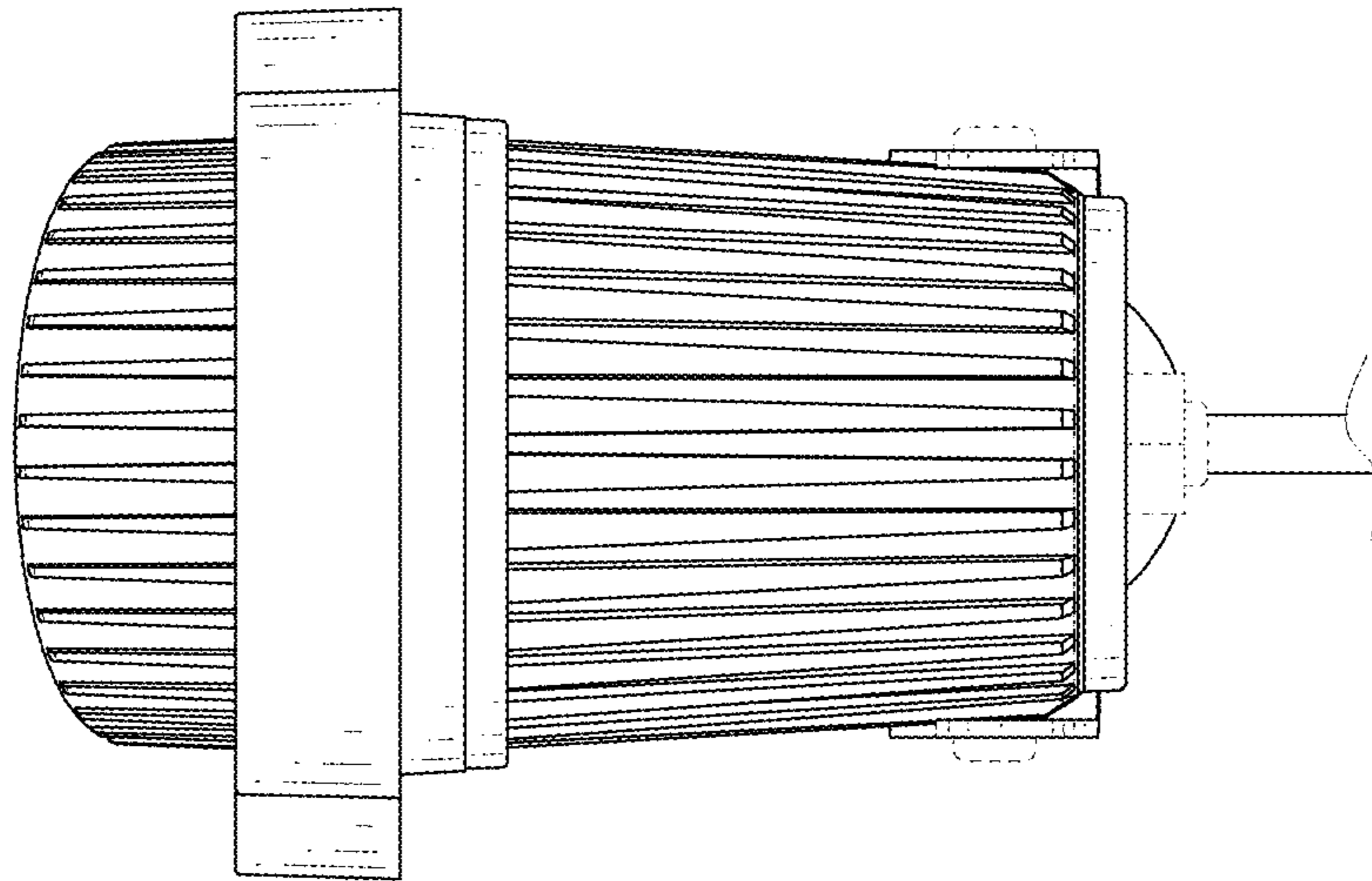


FIG. 7



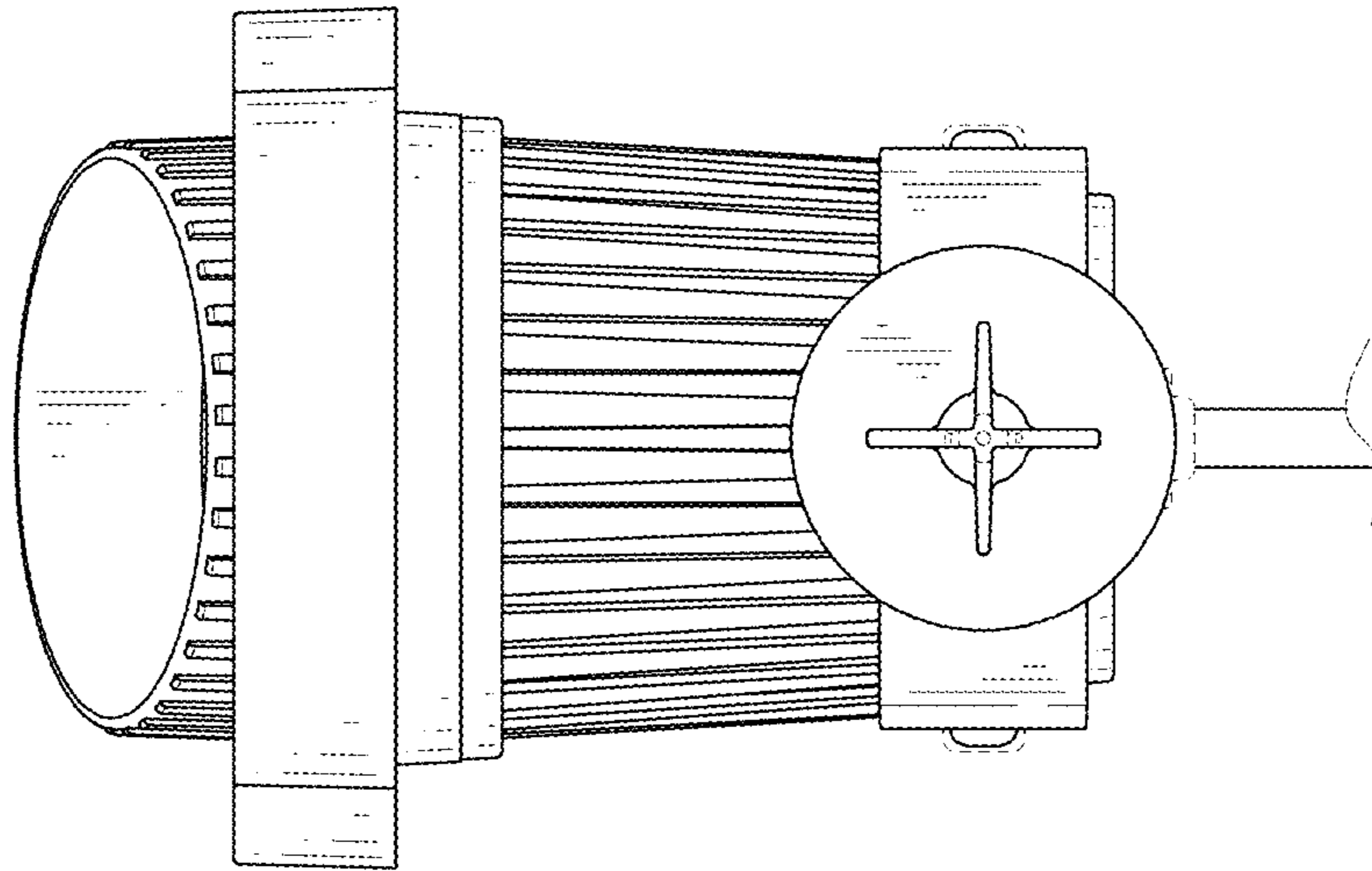


FIG. 8

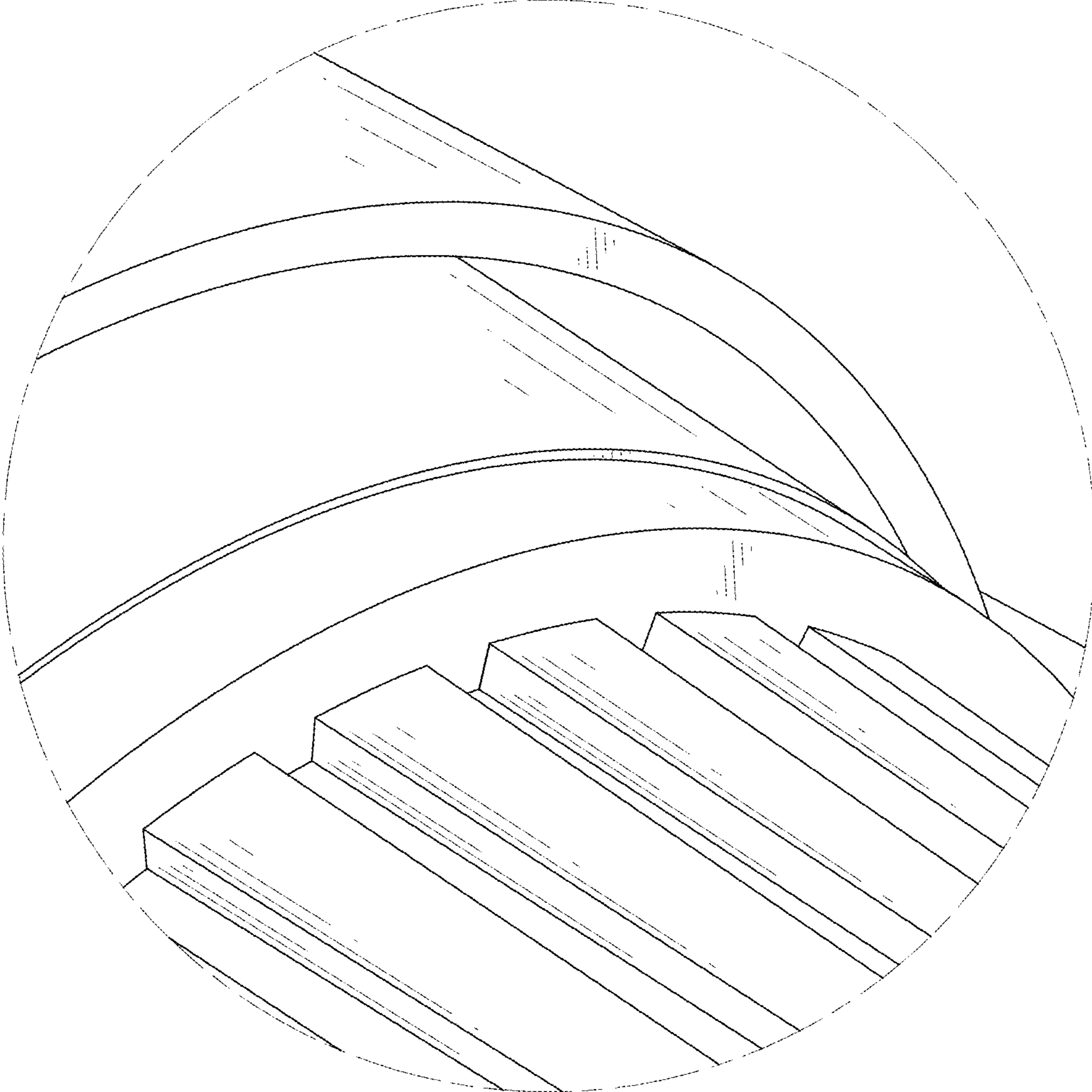


FIG. 9

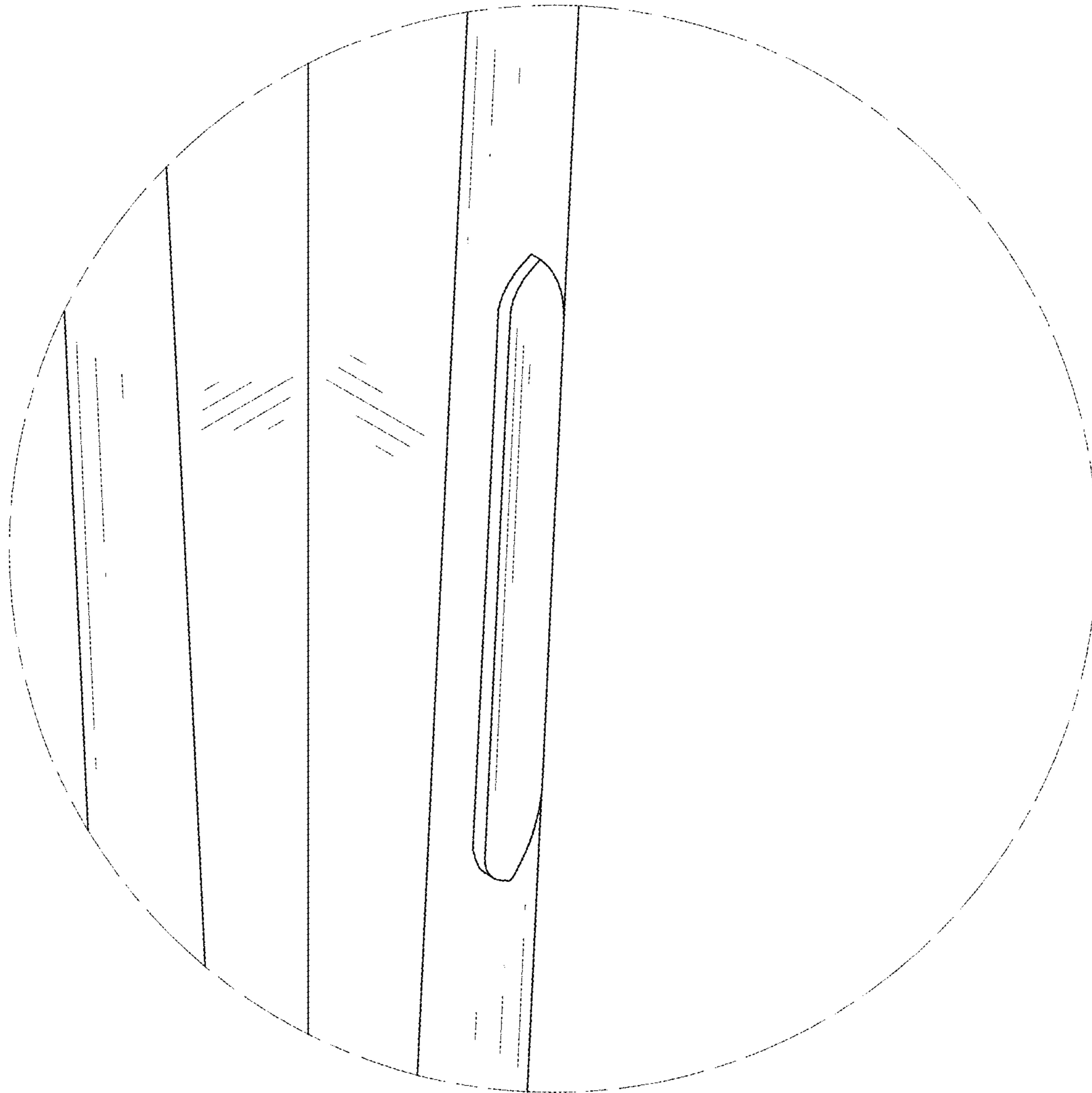


FIG. 10