



US00D974623S

(12) **United States Design Patent** (10) **Patent No.:** **US D974,623 S**
Paredes et al. (45) **Date of Patent:** **** Jan. 3, 2023**

(54) **SECURITY LIGHT**

FOREIGN PATENT DOCUMENTS

(71) Applicant: **HeathCo LLC**, Bowling Green, KY (US)

HK 1701450-0001 * 1/2018

(72) Inventors: **Apollo Paul Paredes**, Livonia, MI (US); **Scott Blaise Tylicki**, Bowling Green, KY (US); **Miles William McDonald**, Bowling Green, KY (US); **Kushagra Dixit**, Bowling Green, KY (US)

OTHER PUBLICATIONS

Defiant, Flood Light, published at www.homedepot.com [retrieved on Aug. 11, 2022]. Internet: <URL: https://www.homedepot.com/p/Defiant-240-White-Motion-Activated-Outdoor-3-Head-3000-Lumen-Integrated-LED-Flood-Light-with-Multi-Power-Source-Technology-DFI-8853-WH/319320025?source=shoppingads&locale=en-US> (Year: 2022).*

(73) Assignee: **HEATHCO LLC**, Bowling Green, KY (US)

(Continued)

(**) Term: **15 Years**

Primary Examiner — Cary M Robinson

Assistant Examiner — Julie M Bailey

(21) Appl. No.: **29/786,347**

(74) *Attorney, Agent, or Firm* — Middleton Reutlinger

(22) Filed: **May 31, 2021**

(51) **LOC (14) Cl.** **26-05**

(52) **U.S. Cl.**
USPC **D26/63**

(58) **Field of Classification Search**
USPC D26/24, 51, 61, 63, 64, 65, 72, 80;
D16/203

CPC F21S 8/00; F21S 8/04; F21V 21/00; F21V 21/14; F21V 21/26; F21V 21/30; F21V 23/0442; F21V 23/0471; F21V 17/02; F21V 14/00; F21V 14/02; F21W 2131/10

See application file for complete search history.

(56) **References Cited**

U.S. PATENT DOCUMENTS

D761,474 S	*	7/2016	Chen	D26/65
D788,967 S	*	6/2017	Chen	D26/65
D799,104 S	*	10/2017	Chen	D26/120
D821,021 S	*	6/2018	Chen	D26/120
D866,036 S	*	11/2019	Tan	D26/63
D866,847 S	*	11/2019	Lafleur	D26/120
D866,849 S	*	11/2019	Lafleur	D26/120
D869,720 S	*	12/2019	Recker	D26/63

(Continued)

(57) **CLAIM**

The ornamental design for a security light, as shown and described.

DESCRIPTION

FIG. 1 is a front perspective view of a security light design; FIG. 2 is a rear perspective view of the security light design of FIG. 1;

FIG. 3 is a front view of the security light design of FIG. 1; FIG. 4 is a rear view of the security light design of FIG. 1; FIG. 5 is a left side view of the security light design of FIG. 1;

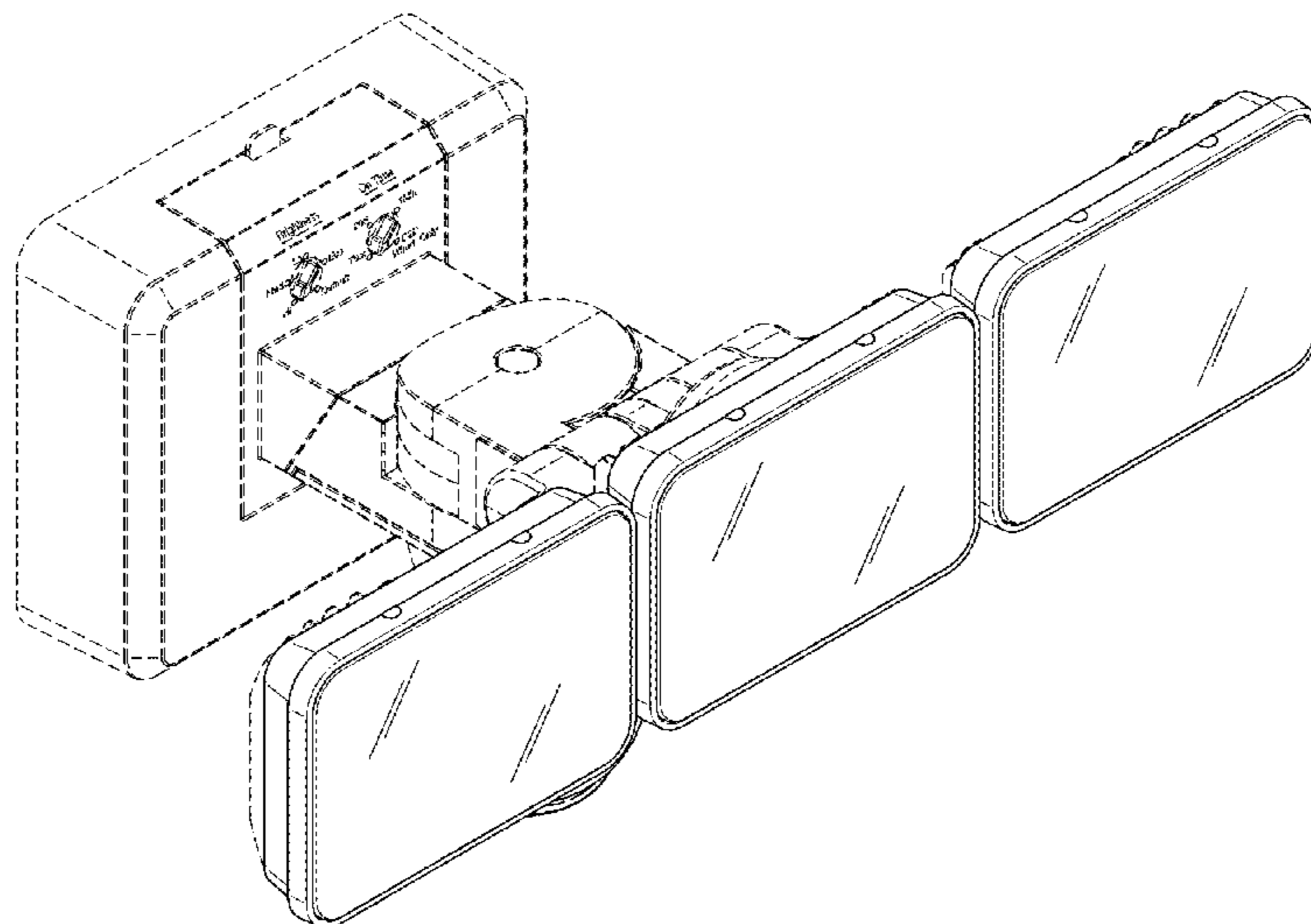
FIG. 6 is a right side view of the security light design of FIG. 1;

FIG. 7 is a top view of the security light design of FIG. 1; and,

FIG. 8 is a bottom view of the security light design of FIG. 1.

In the drawings, the broken lines depict environmental subject matter that forms no part of the claimed design.

1 Claim, 8 Drawing Sheets



(56)

References Cited

U.S. PATENT DOCUMENTS

D908,262 S * 1/2021 Dai D26/63
D922,645 S * 6/2021 Gowing D26/63
D929,008 S * 8/2021 Singh D26/63
D950,820 S * 5/2022 Zheng D26/63
2022/0082242 A1 * 3/2022 McDonald F21V 23/0478

OTHER PUBLICATIONS

Heath Zenith, Motion Activated Security Light, published at www.walmart.com [retrieved on Aug. 11, 2022]. Retrieved from the internet: <URL: <https://www.walmart.com/ip/Heathco-HZ-7164-BK-1000-Lumen-Black-Solar-LED-Motion-Activated-Security-Light/121139223>> (Year: 2022) (Year: 2022).*

* cited by examiner

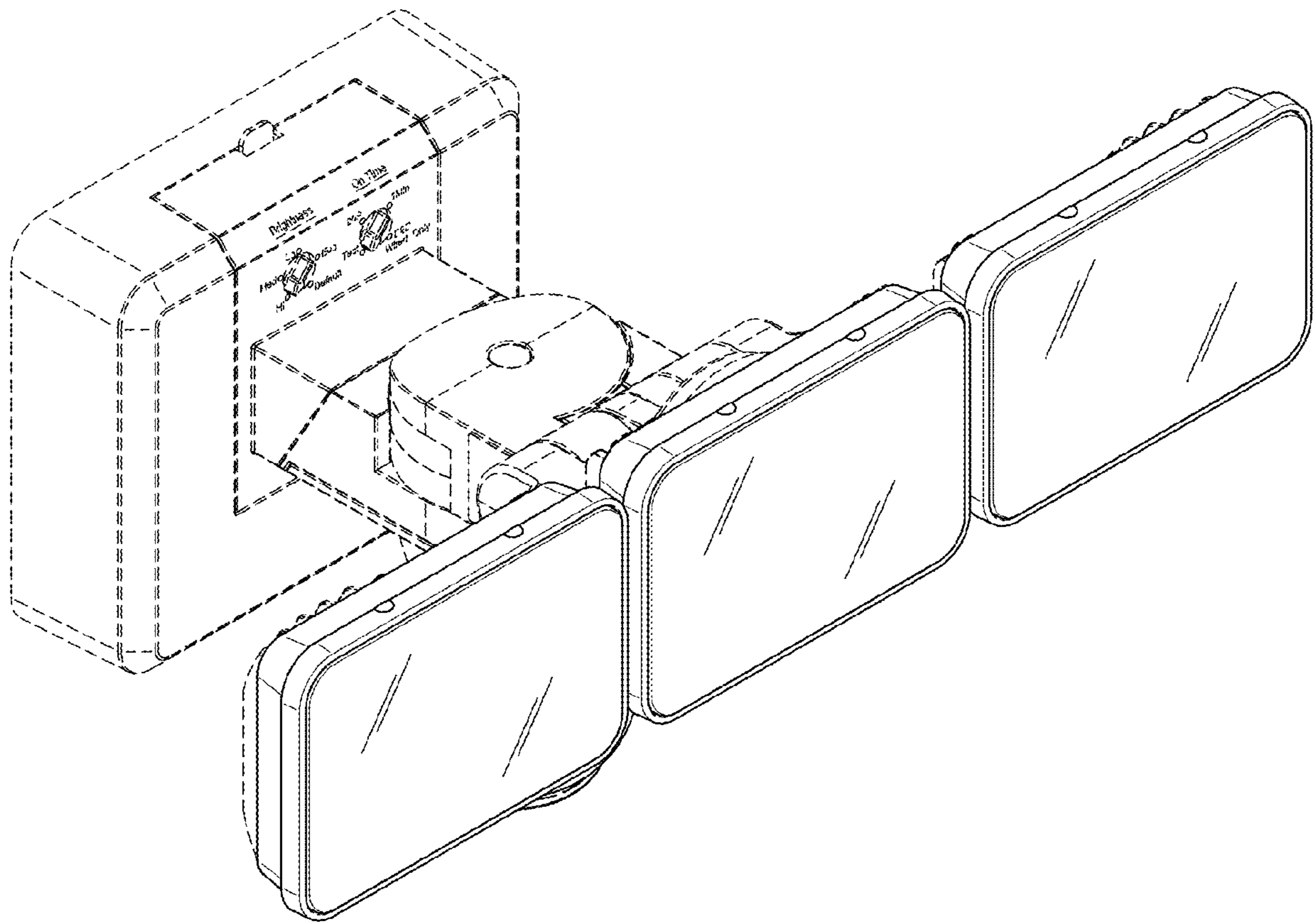


FIG. 1

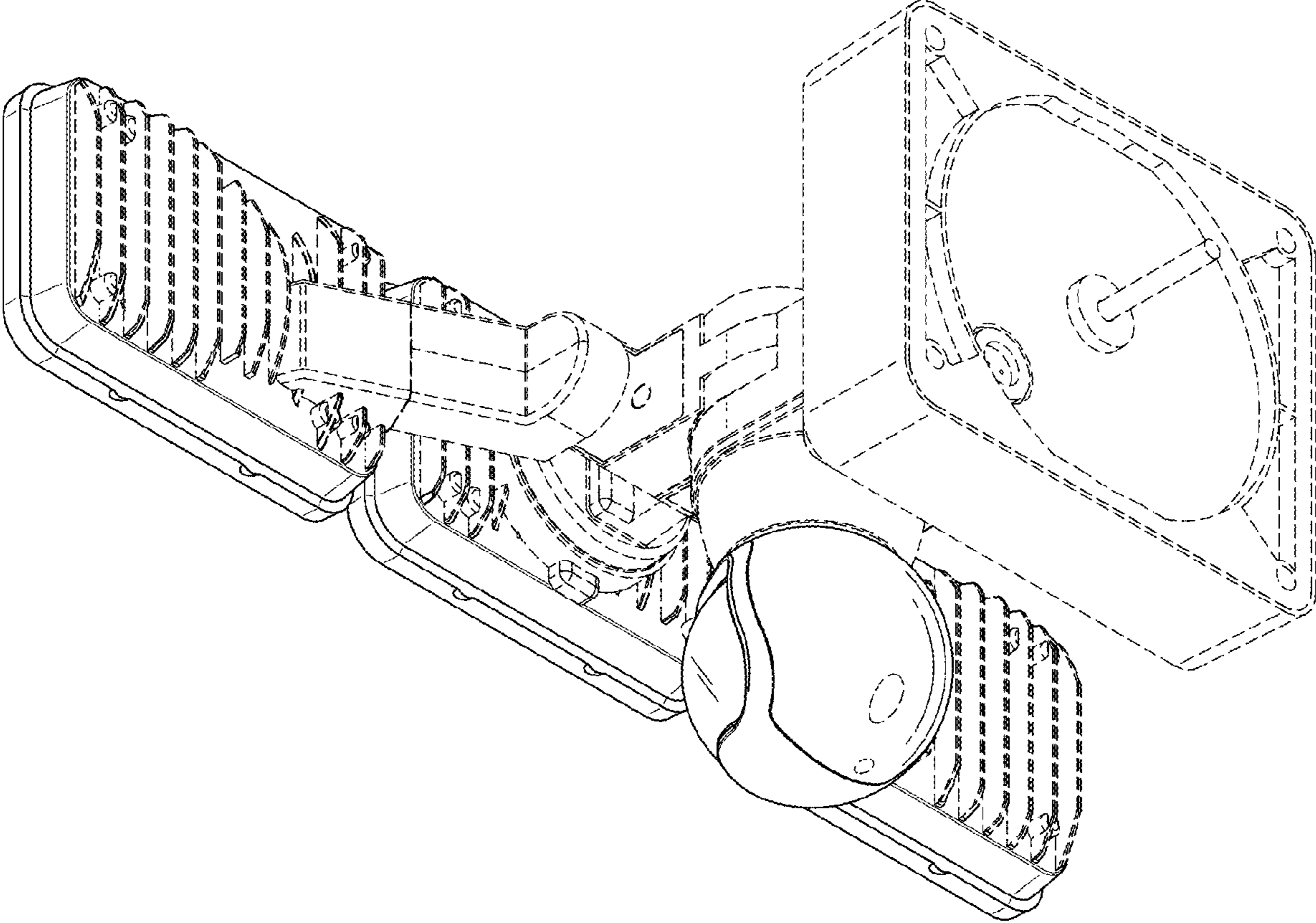


FIG. 2

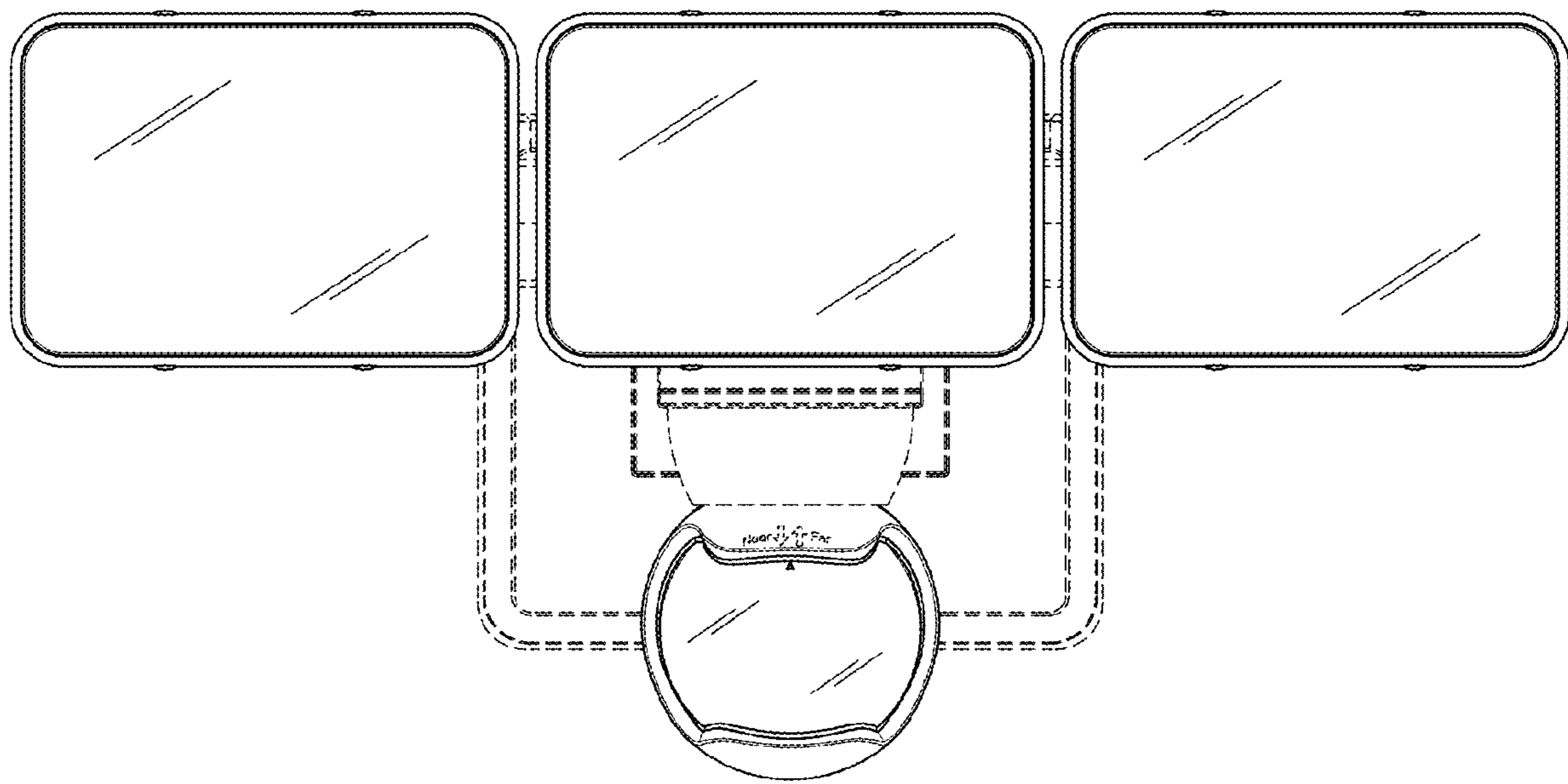


FIG. 3

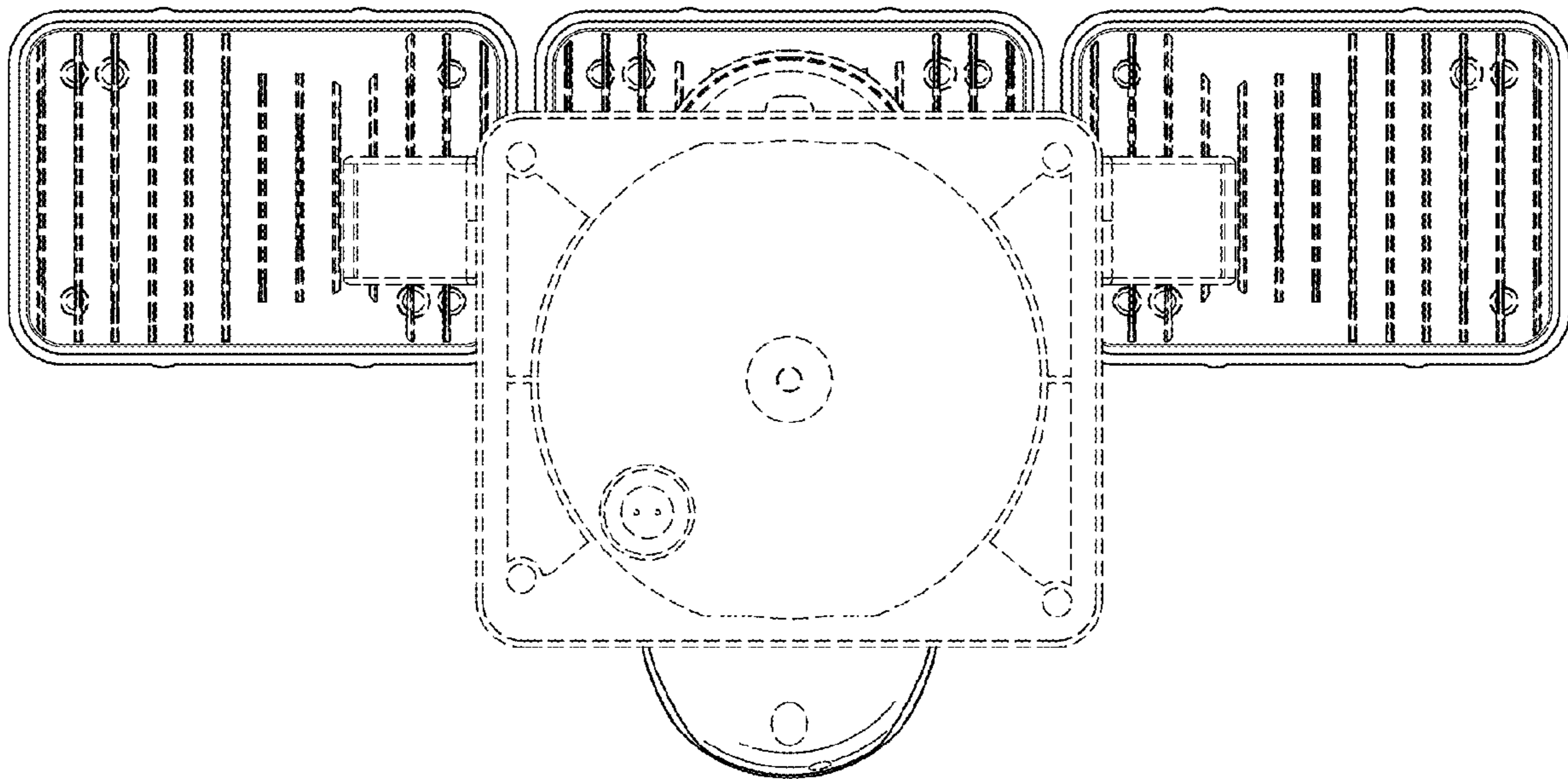


FIG. 4

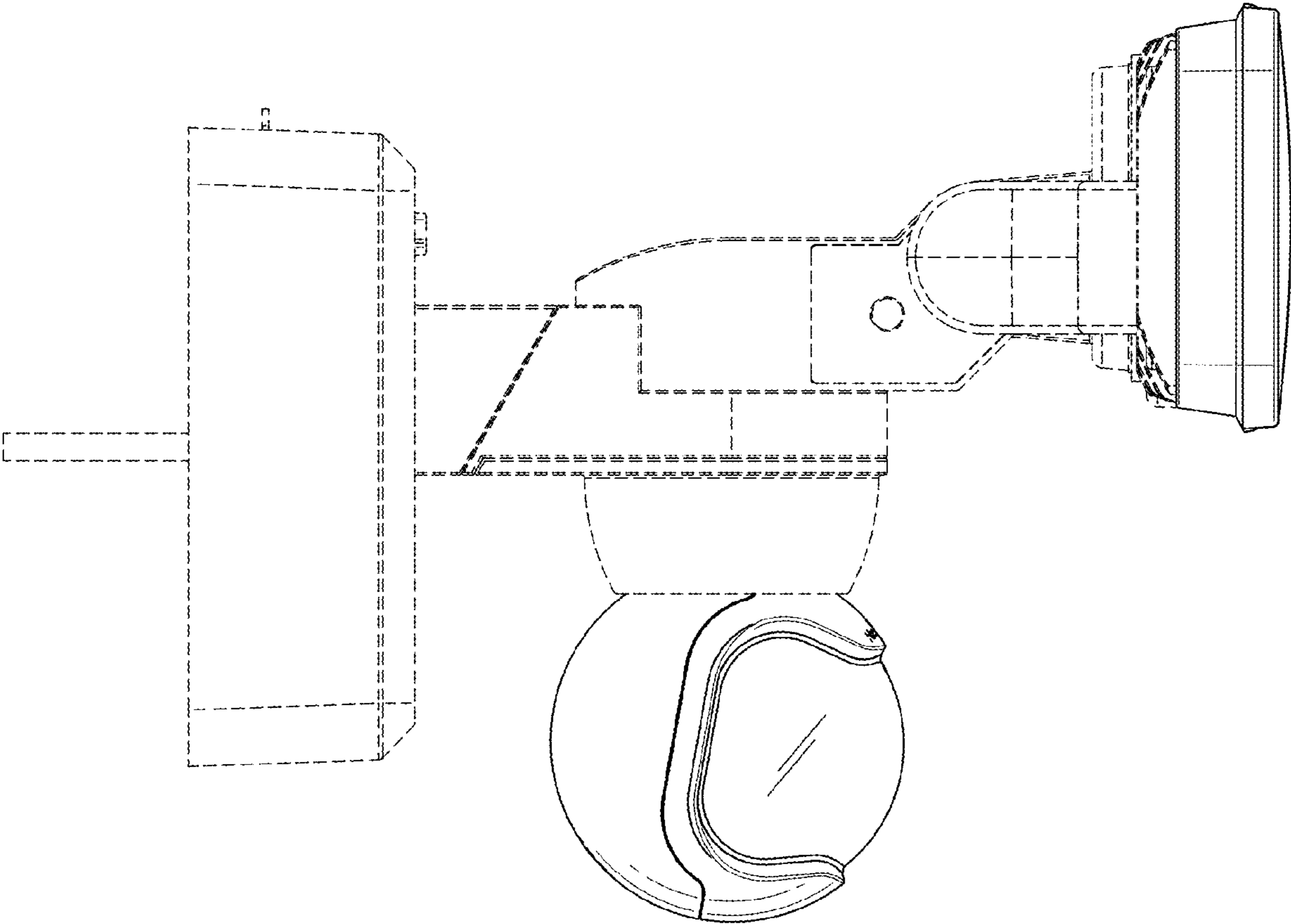


FIG. 5

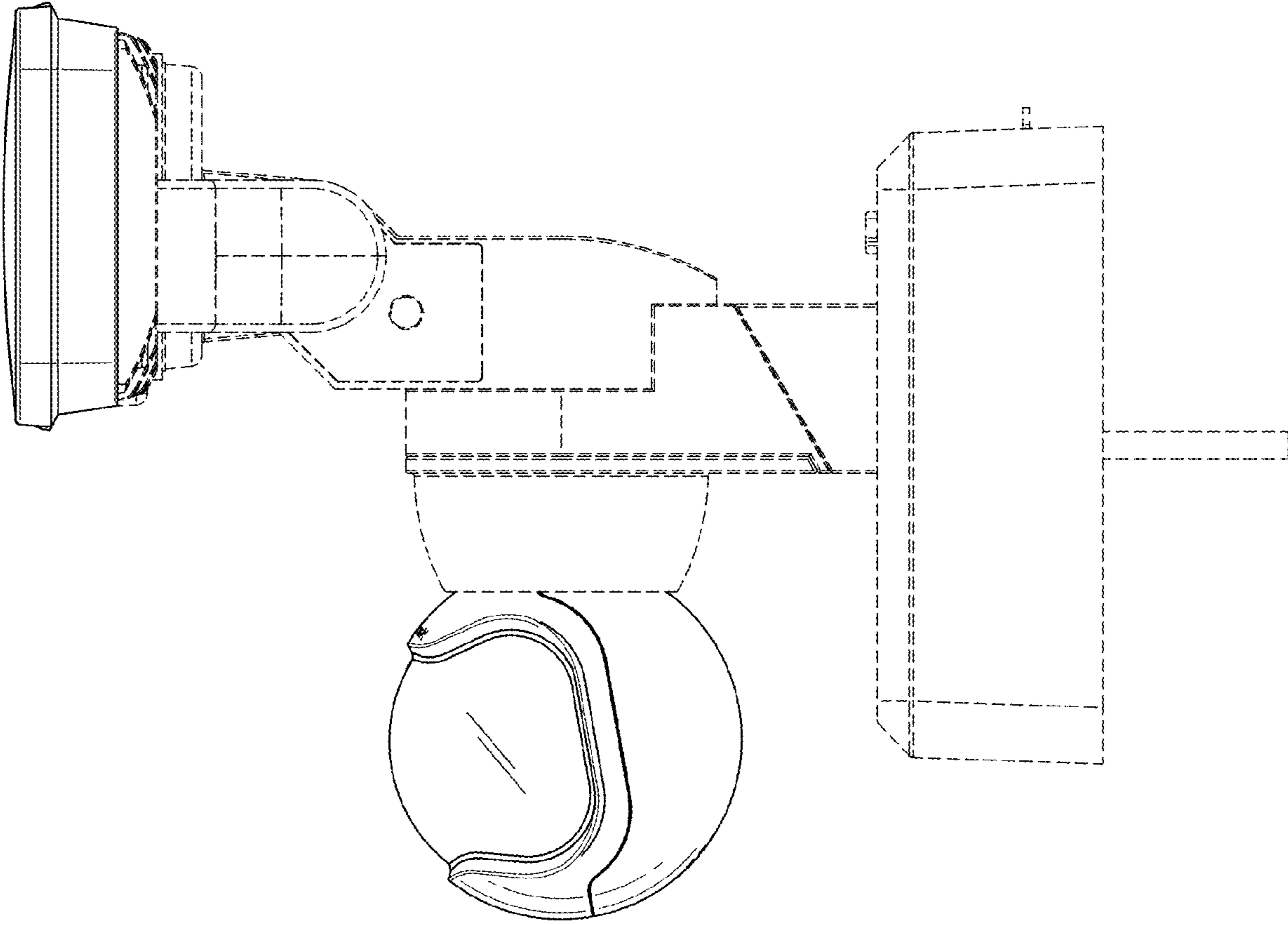


FIG. 6

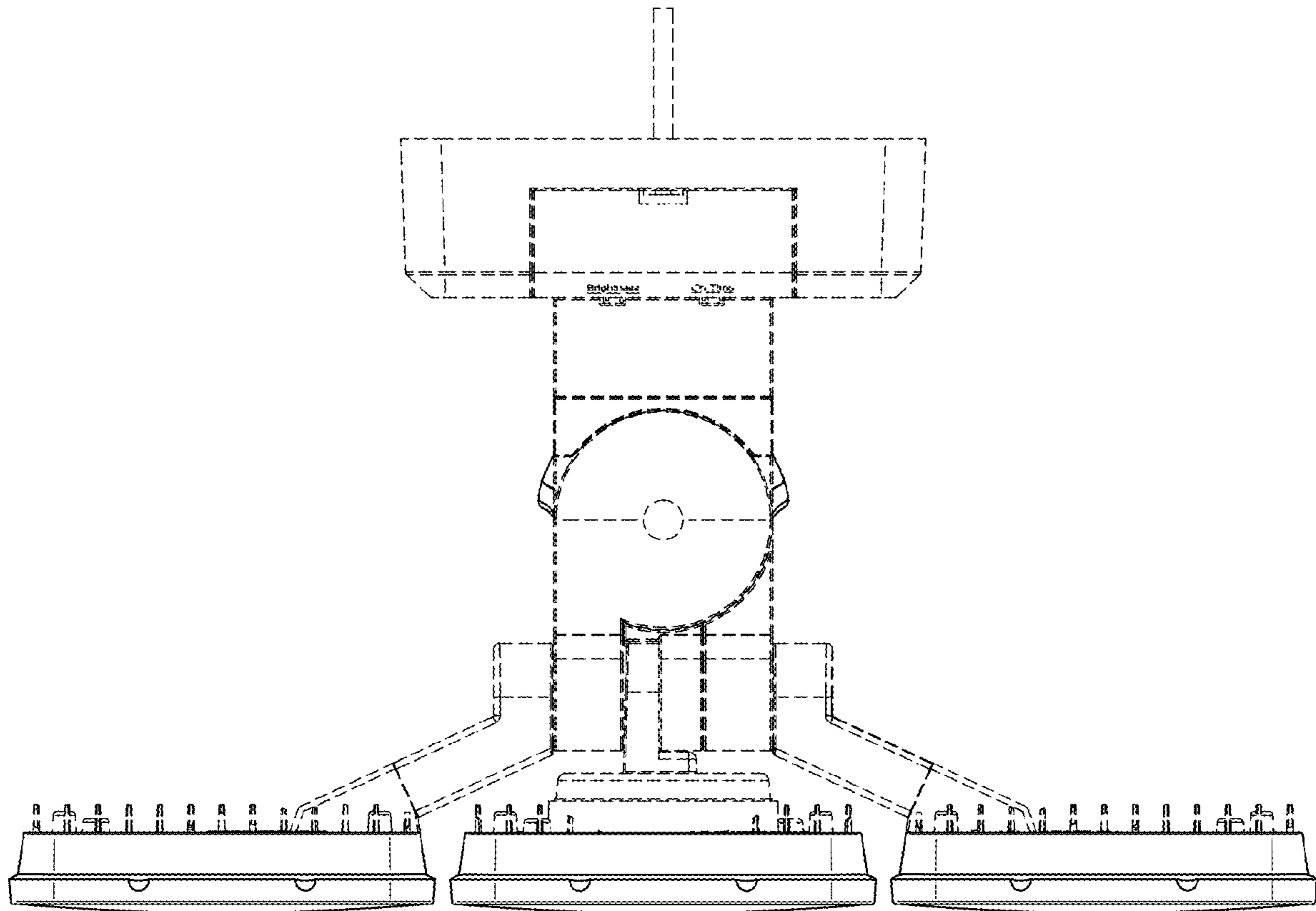


FIG. 7

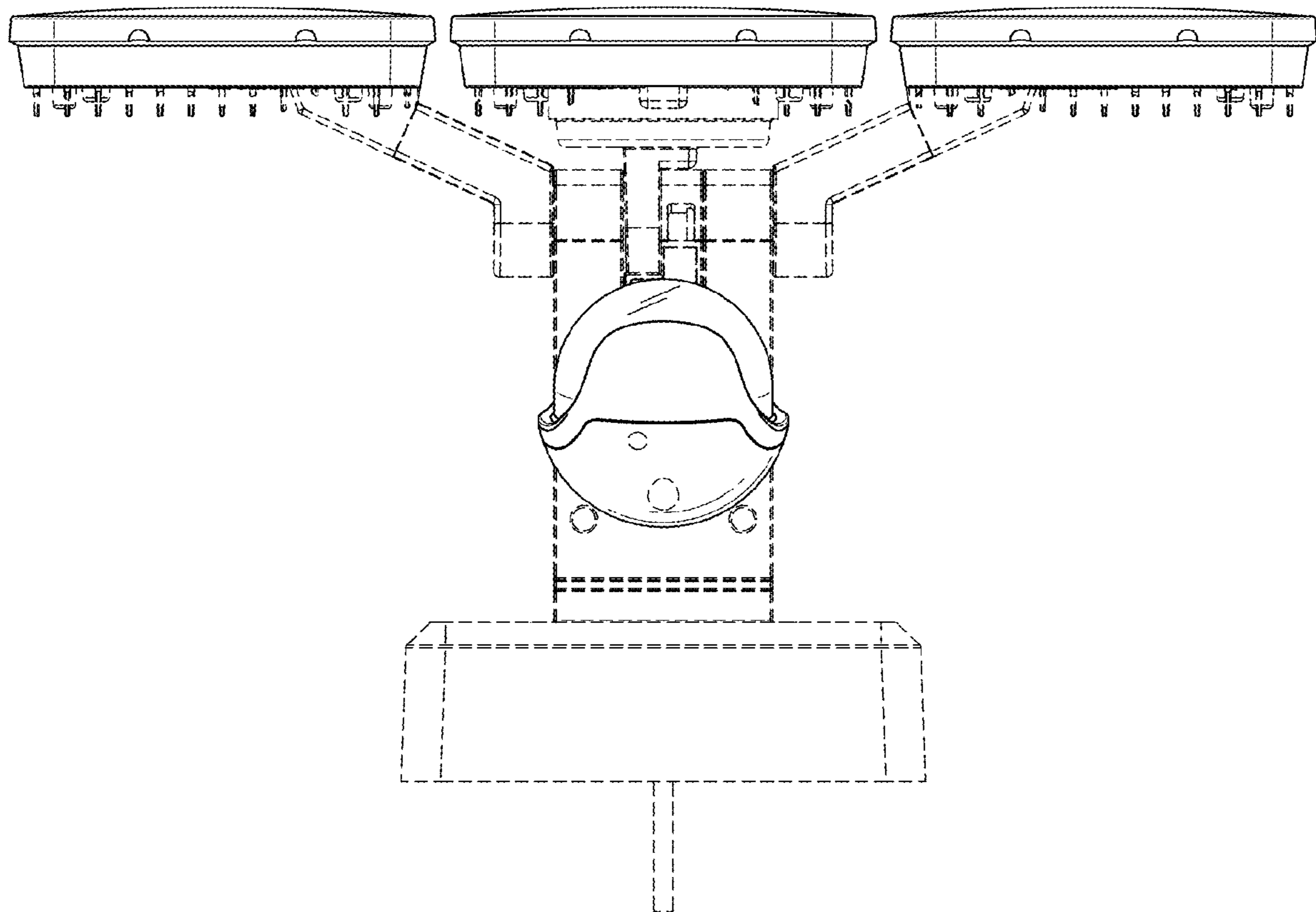


FIG. 8