



US00D974621S

(12) **United States Design Patent**
Paredes et al.

(10) **Patent No.:** **US D974,621 S**
(45) **Date of Patent:** **** Jan. 3, 2023**

(54) **SECURITY LIGHT**

10,718,500 B1 * 7/2020 Tylicki F21V 21/30
D910,895 S * 2/2021 Deurwaarder D26/63
11,346,514 B2 * 5/2022 Paredes F21V 23/023

(71) Applicant: **HeathCo LLC**, Bowling Green, KY
(US)

(Continued)

(72) Inventors: **Apollo Paul Paredes**, Livonia, MI
(US); **Scott Blaise Tylicki**, Bowling
Green, KY (US); **Miles William
McDonald**, Bowling Green, KY (US);
Kushagra Dixit, Bowling Green, KY
(US)

FOREIGN PATENT DOCUMENTS

HK 1701450-0001 * 1/2018

(73) Assignee: **HEATHCO LLC**, Bowling Green, KY
(US)

OTHER PUBLICATIONS

MonotaRO Co., Ltd., Ohm Electric 1 LED sensor light, published
at www.monotaro.com [retrieved on Aug. 10, 2022]. Retrieved from
the internet: <URL: https://www.monotaro.com/p/4502/5576/> (Year:
2022).*

(Continued)

(**) Term: **15 Years**

Primary Examiner — Cary M Robinson
Assistant Examiner — Julie Marie Bailey

(21) Appl. No.: **29/786,345**

(74) *Attorney, Agent, or Firm* — Middleton Reutlinger

(22) Filed: **May 31, 2021**

(57) **CLAIM**

(51) **LOC (14) Cl.** **26-05**

The ornamental design for a security light, as shown and
described.

(52) **U.S. Cl.**

USPC **D26/63**

DESCRIPTION

(58) **Field of Classification Search**

USPC D26/24, 51, 61, 63, 64, 65, 72, 80;
D16/203

CPC F21S 8/00; F21S 8/04; F21V 21/00; F21V
21/14; F21V 21/26; F21V 21/30; F21V
23/0442; F21V 23/0471; F21V 17/02;
F21V 14/00; F21V 14/02; F21W 2131/10

See application file for complete search history.

FIG. 1 is a front perspective view of a security light design;
FIG. 2 is a rear perspective view of the security light design
of FIG. 1;
FIG. 3 is a front view of the security light design of FIG. 1;
FIG. 4 is a rear view of the security light design of FIG. 1;
FIG. 5 is a left side view of the security light design of FIG.
1;
FIG. 6 is a right side view of the security light design of FIG.
1;
FIG. 7 is a top view of the security light design of FIG. 1;
and,
FIG. 8 is a bottom view of the security light design of FIG.
1.

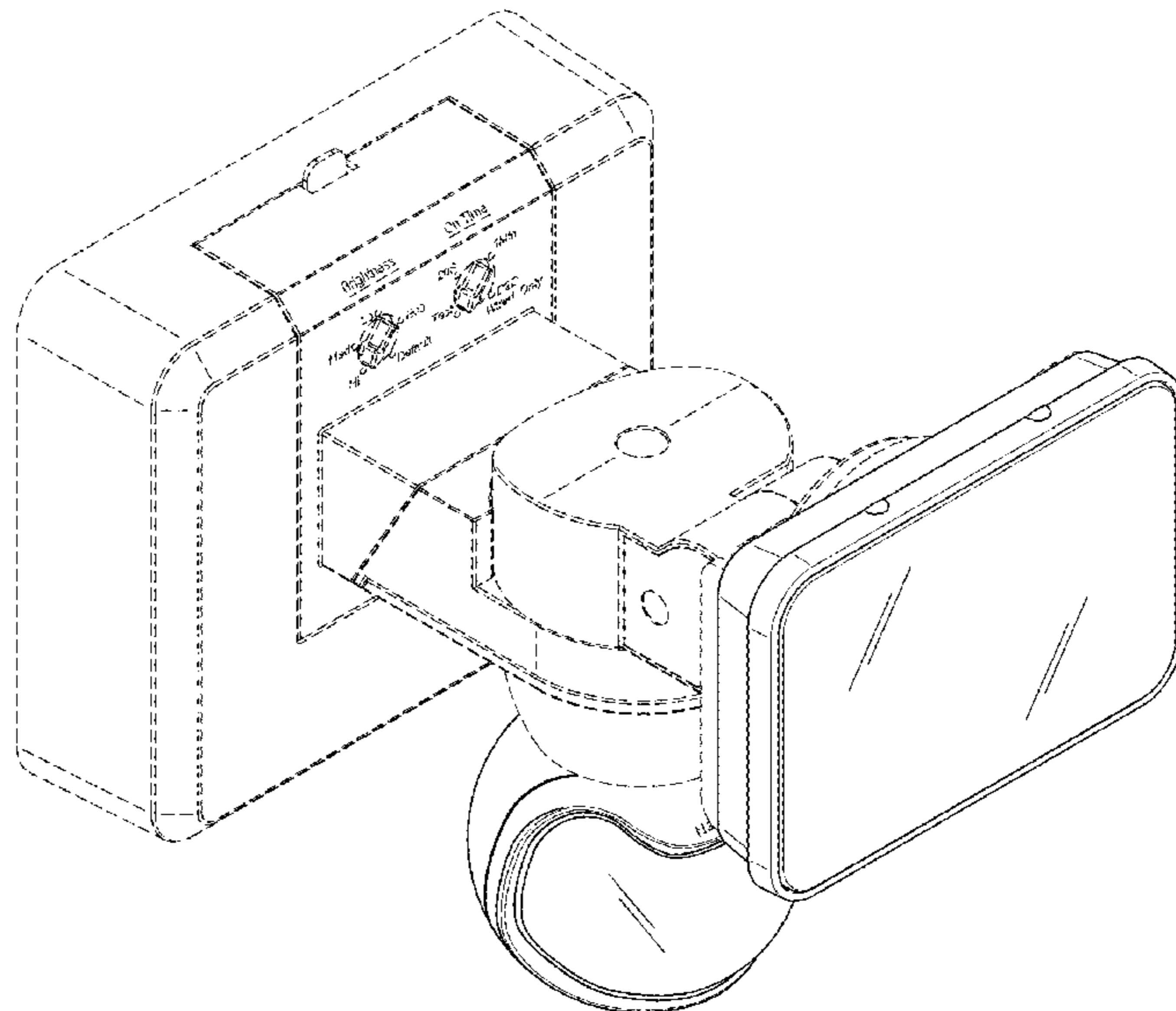
(56) **References Cited**

U.S. PATENT DOCUMENTS

D438,998 S * 3/2001 Finke F21V 23/023
D10/106.1
D804,074 S * 11/2017 Fang F21V 23/0478
D26/65
D862,758 S * 10/2019 Zhu D26/63

In the drawings, the broken lines depict environmental
subject matter that forms no part of the claimed design.

1 Claim, 8 Drawing Sheets



(56)

References Cited

U.S. PATENT DOCUMENTS

D956,851 S * 7/2022 Zhang D16/203
D957,500 S * 7/2022 Li D16/203
2022/0082219 A1* 3/2022 McDonald F21S 8/003
2022/0082242 A1* 3/2022 McDonald F21V 23/0478

OTHER PUBLICATIONS

Do it Best., Heath Zenith Black Motion Activated . . . Security Light, published at www.doitbest.com [retrieved on Aug. 10, 2022]. Retrieved from the internet: <URL: <https://www.doitbest.com/shop/electrical/outdoor-and-security-light-fixtures/security-light-fixtures>> (Year: 2022).*

Home Zone Security, Security Flood Light with Motion Sensor, published at www.wayfair.com [retrieved on Aug. 10, 2022]. Retrieved from the internet: <URL: <https://www.wayfair.com/lighting/pdp/home-zone-security-18-watt-led-dusk-to-dawn-outdoor-security-flood-light-with-motion-sensor-rszh1020.html?piid=>>> (Year: 2022).*

Defiant, 3-in-1 Motion Activated Integrated LED Outdoor Flood Light, published at www.homedepot.com [retrieved on Aug. 10, 2022]. Retrieved from the internet: <URL: <https://www.homedepot.com/p/Defiant-180-White-3-in-1-Compact-Solar-Motion-Activated-Integrated-LED-Outdoor-Flood-Light-DFI-7167>> (Year: 2022).*

* cited by examiner

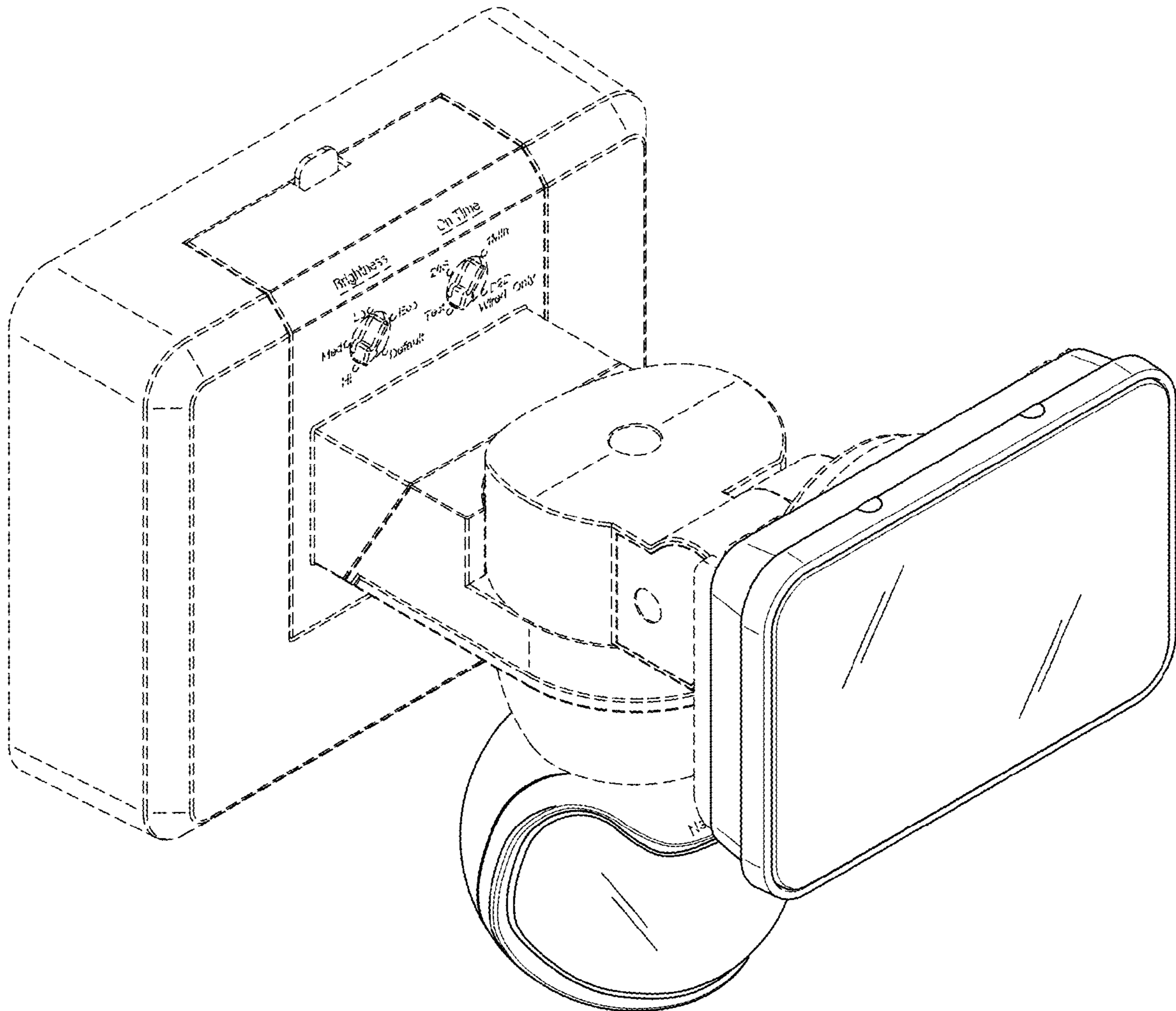


FIG. 1

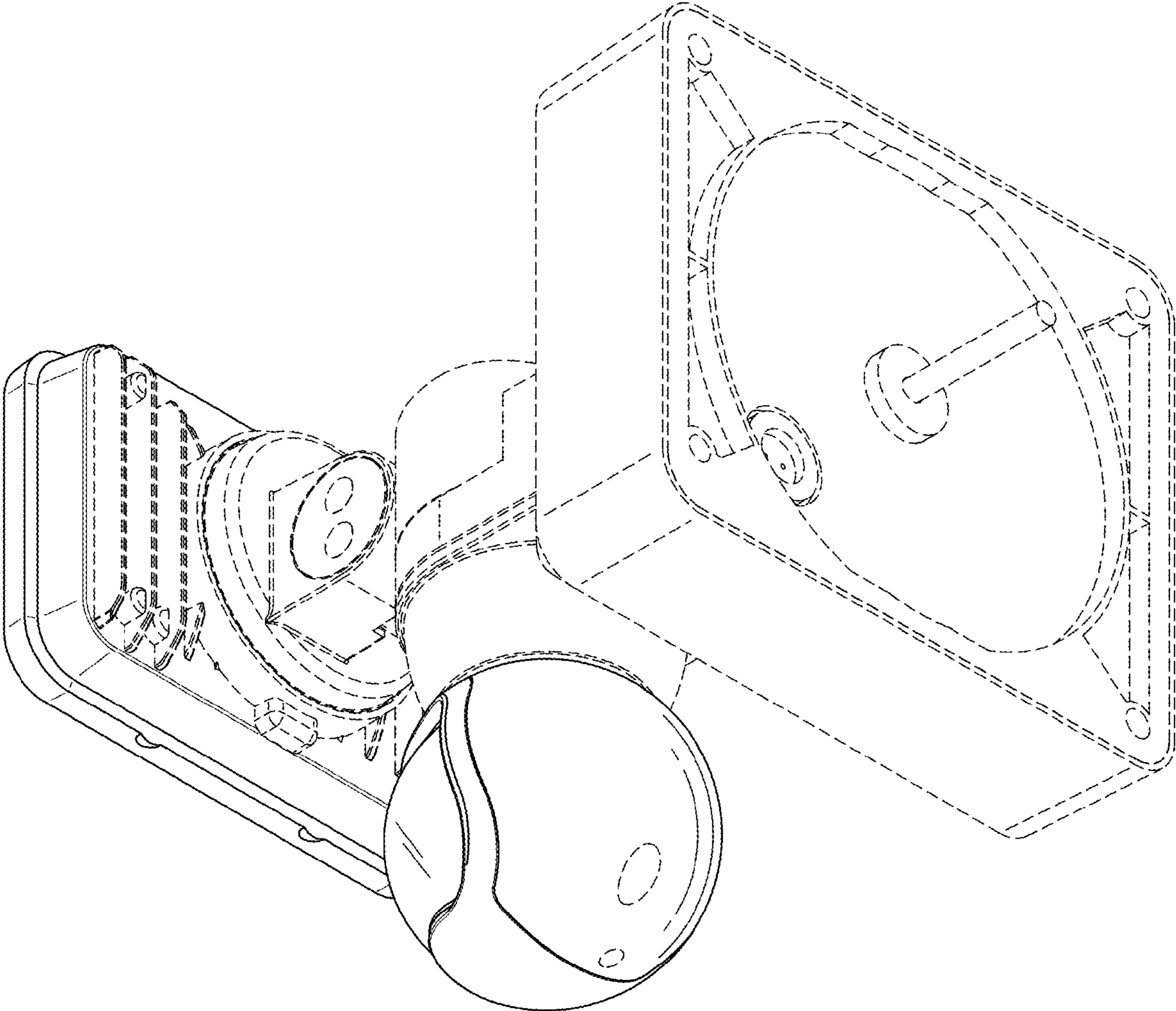


FIG. 2

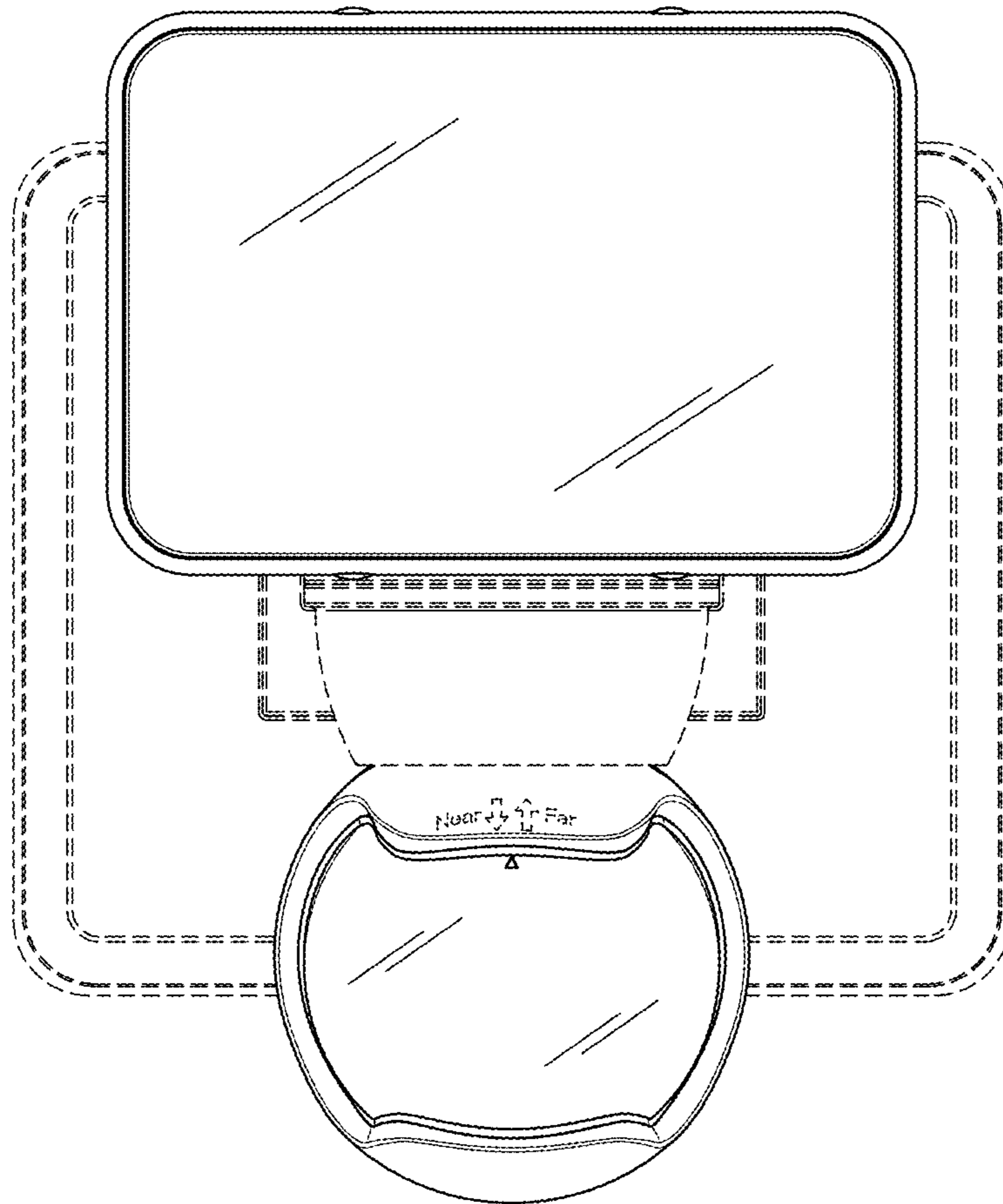


FIG. 3

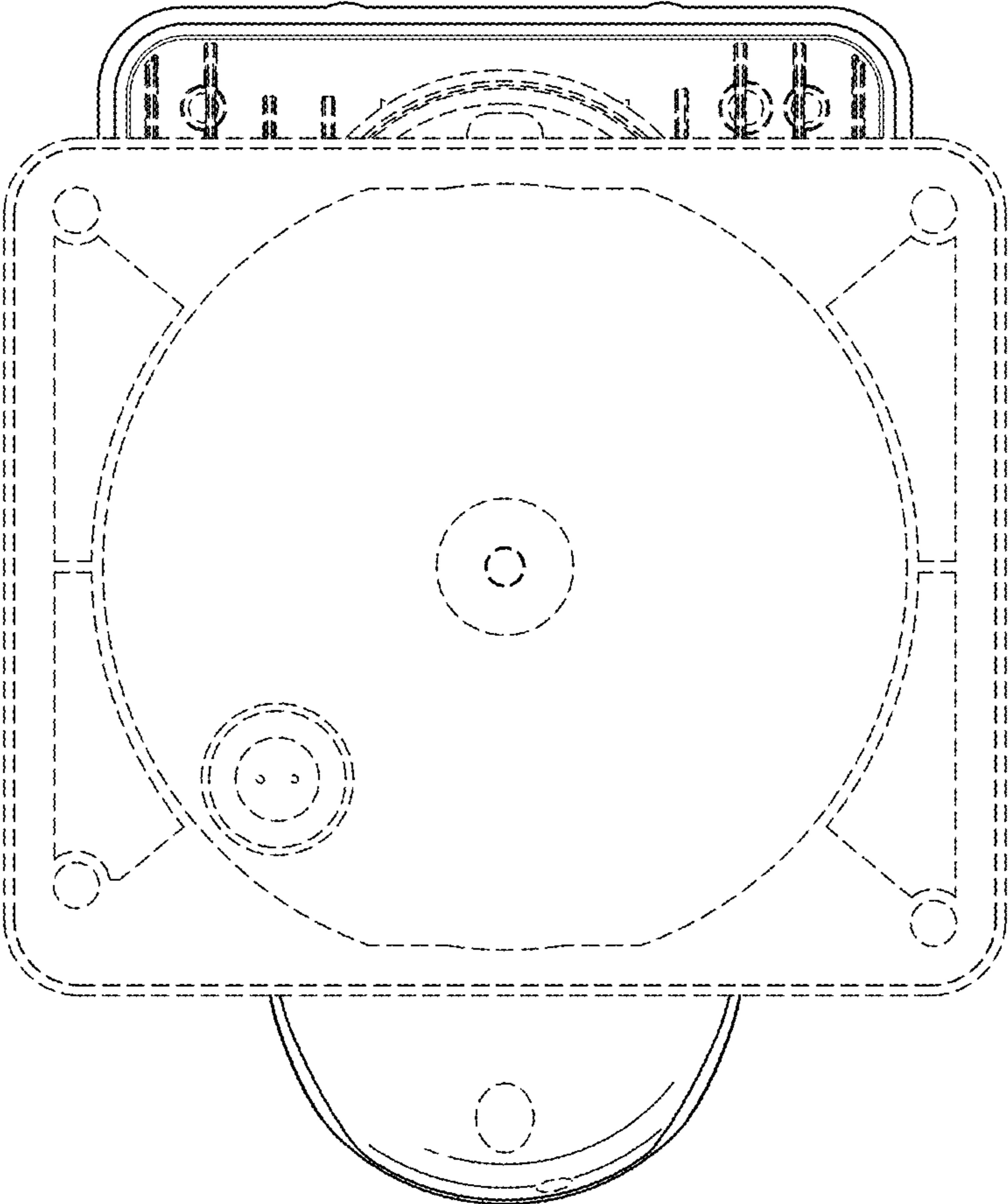


FIG. 4

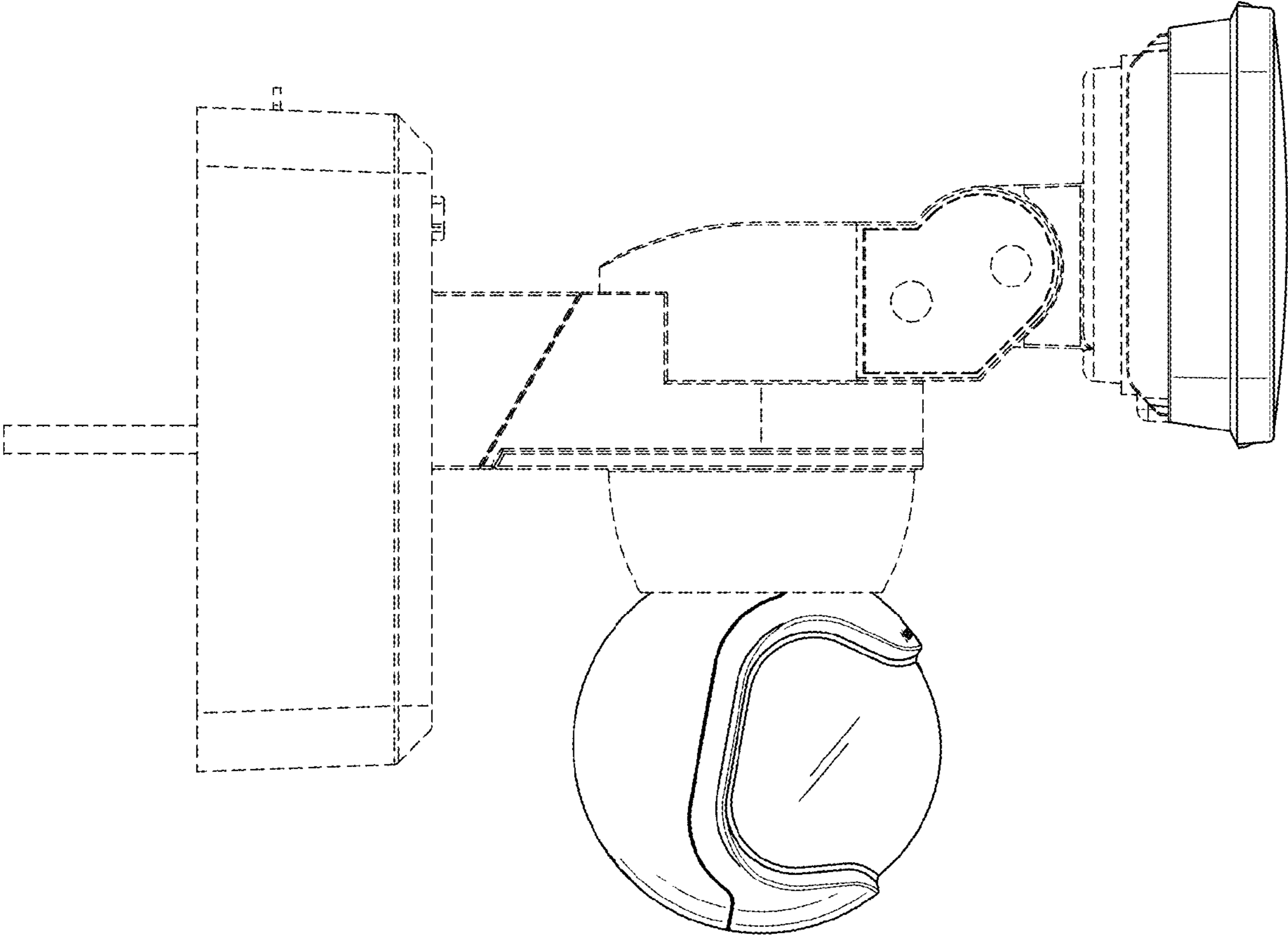


FIG. 5

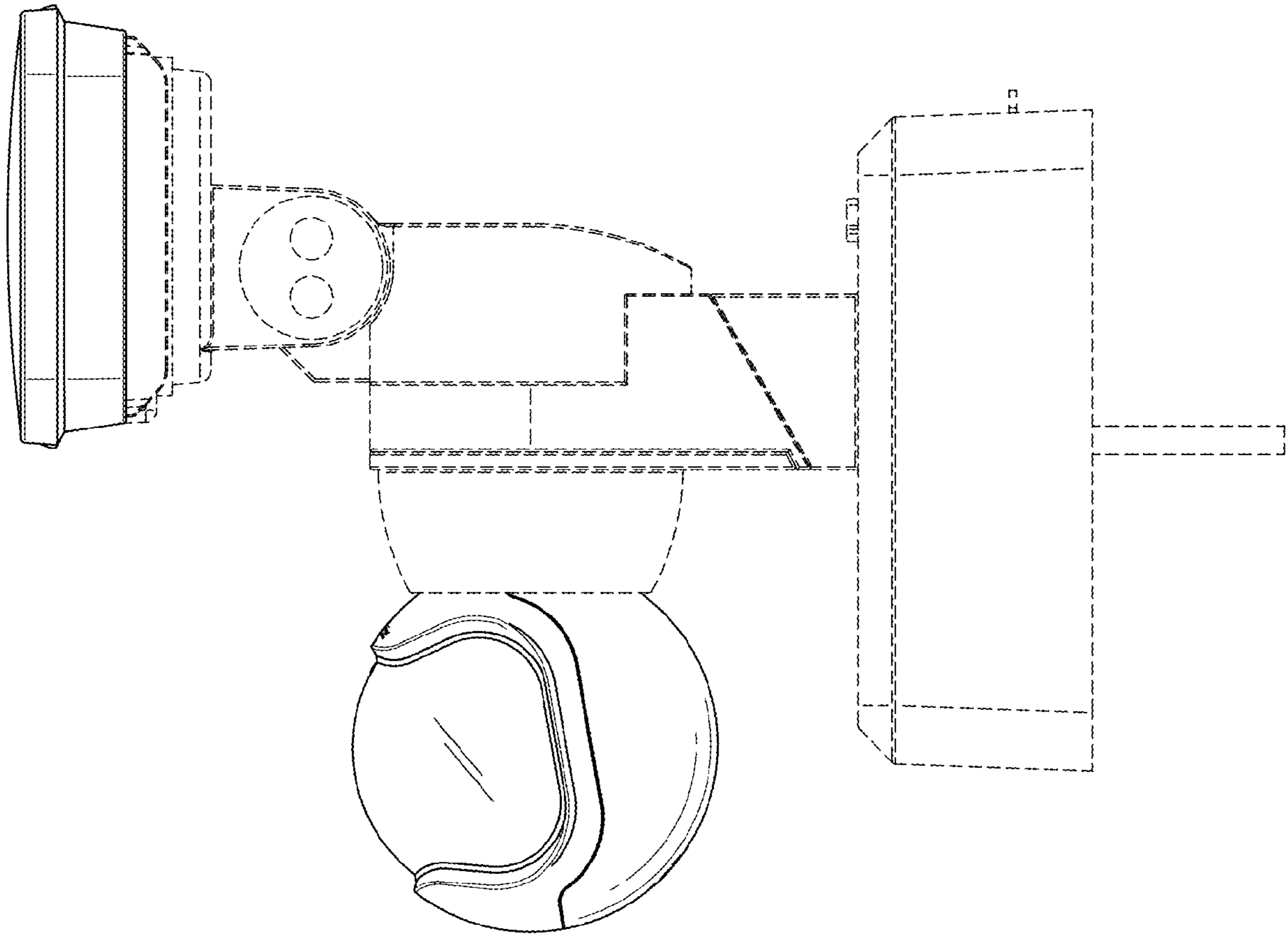


FIG. 6

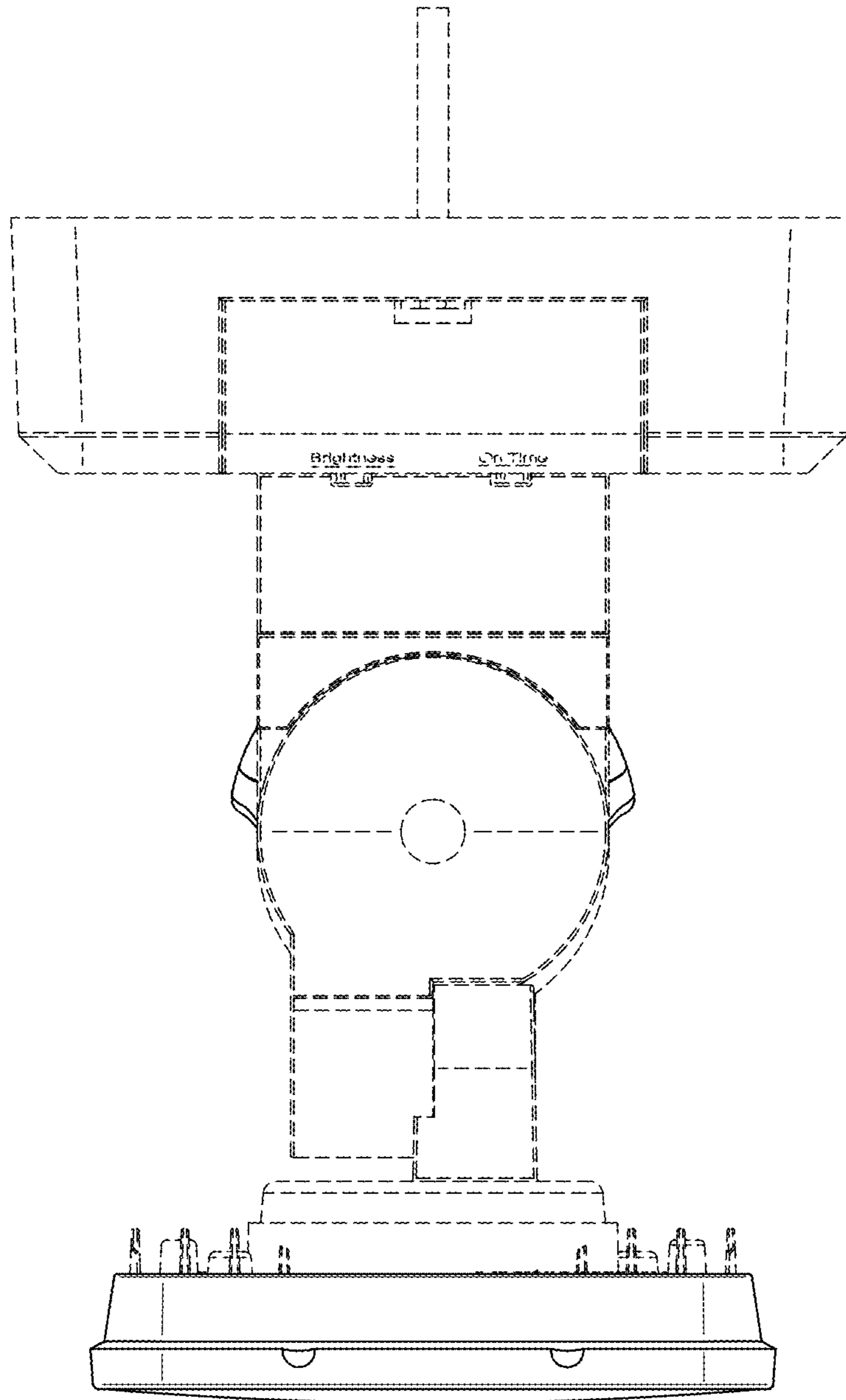


FIG. 7

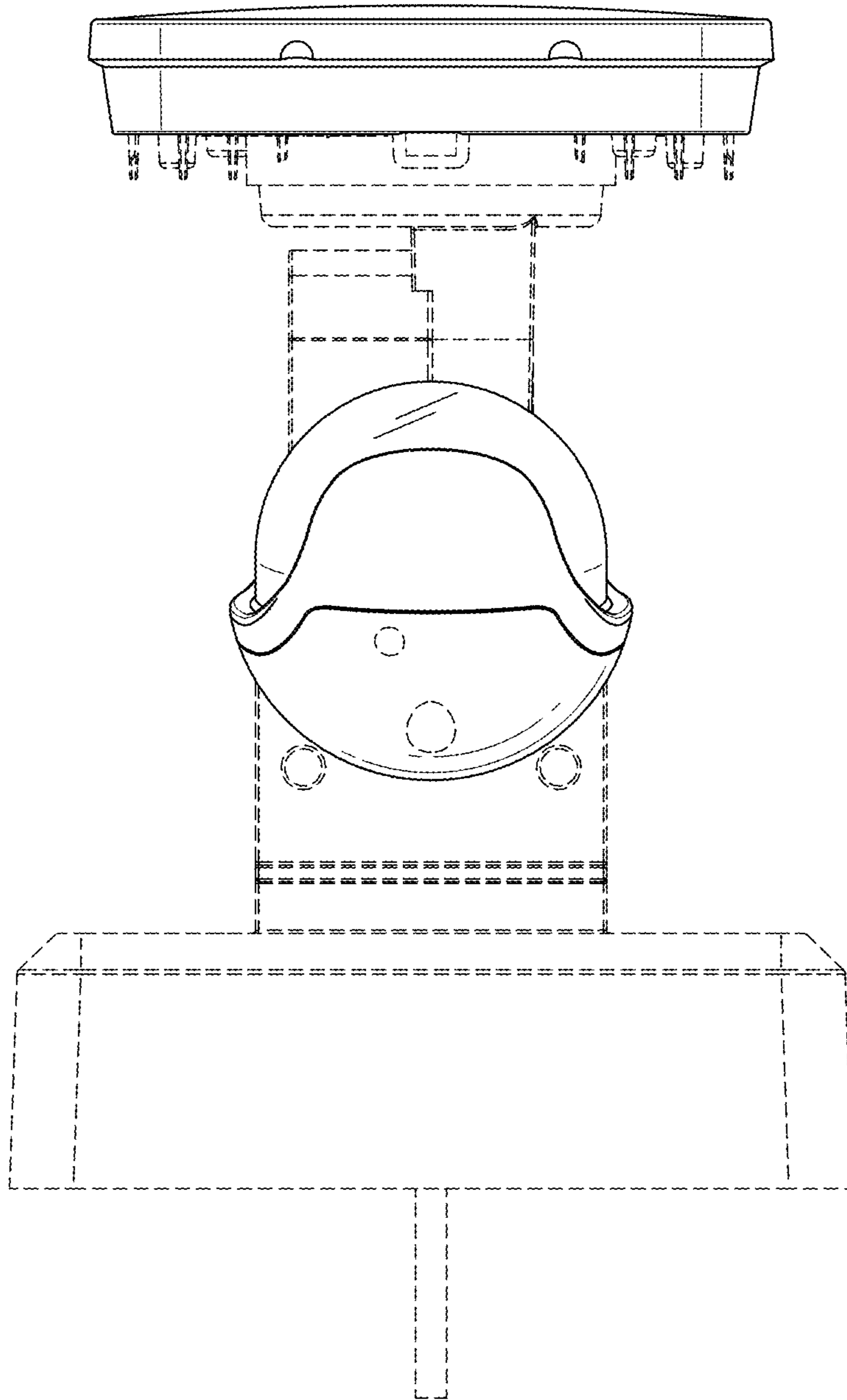


FIG. 8