



US00D974620S

(12) **United States Design Patent**
Cacciabeve

(10) **Patent No.:** **US D974,620 S**

(45) **Date of Patent:** **** Jan. 3, 2023**

(54) **CLAMPING WORK LIGHT**

(71) Applicant: **Walter R. Tucker Enterprises, Ltd.**,
Deposit, NY (US)

(72) Inventor: **Robert Cacciabeve**, Boonton, NJ (US)

(73) Assignee: **Walter R. Tucker Enterprises, Ltd.**,
Deposit, NY (US)

(**) Term: **15 Years**

(21) Appl. No.: **29/685,652**

(22) Filed: **Mar. 29, 2019**

(51) **LOC (14) Cl.** **26-05**

(52) **U.S. Cl.**
USPC **D26/60; D26/63**

(58) **Field of Classification Search**
USPC ... D26/1, 24, 60, 61, 63, 65, 85, 51, 37, 38,
D26/44, 92, 93, 104, 106

(Continued)

(56) **References Cited**

U.S. PATENT DOCUMENTS

D374,100 S * 9/1996 Chen D26/60
D469,900 S * 2/2003 Galli D26/37

(Continued)

FOREIGN PATENT DOCUMENTS

CA 189027 * 11/2020
EM 006736831-0001 * 8/2019
GB 9006736831-0001 * 8/2019

OTHER PUBLICATIONS

Rugged Ridge 11309.02 Clip-on Light, Jun. 1, 2006, Amazon.com,
site visited Oct. 13, 2021, url: <https://www.amazon.com/dp/B0013RKEZU> (Year: 2006).*

(Continued)

Primary Examiner — T Chase Nelson

Assistant Examiner — Rachel Wolfe

(74) *Attorney, Agent, or Firm* — Breiner & Breiner,
L.L.C.

(57) **CLAIM**

The ornamental design for a clamping work light, as shown
and described.

DESCRIPTION

FIG. 1 is a front/side perspective view of the clamping work
light with the light in the nested position;

FIG. 2 is a front view of the clamping work light of FIG. 1.

FIG. 3 is a rear view of the clamping work light of FIG. 1.

FIG. 4 is a side view of the clamping work light of FIG. 1,
the opposite side view being a mirror image.

FIG. 5 is a top view of the clamping work light of FIG. 1.

FIG. 6 is a bottom view of the clamping work light of FIG.
1.

FIG. 7 is a perspective view of the clamping work light of
FIG. 1 with the light in a first non-nested position and the
housing in a standing position.

FIG. 8 is a rear view of the clamping work light of FIG. 7.

FIG. 9 is a front view of the clamping work light of FIG. 7.

FIG. 10 is a side view of the clamping work light of FIG. 7,
the opposite side view being a mirror image.

FIG. 11 is a side view of the clamping work light of FIG. 7
with the light rotated.

FIG. 12 is a perspective view of the clamping work light of
FIG. 1 with the light in a second non-nested position and the
housing in a standing position.

FIG. 13 is a rear view of the clamping work light of FIG. 12.

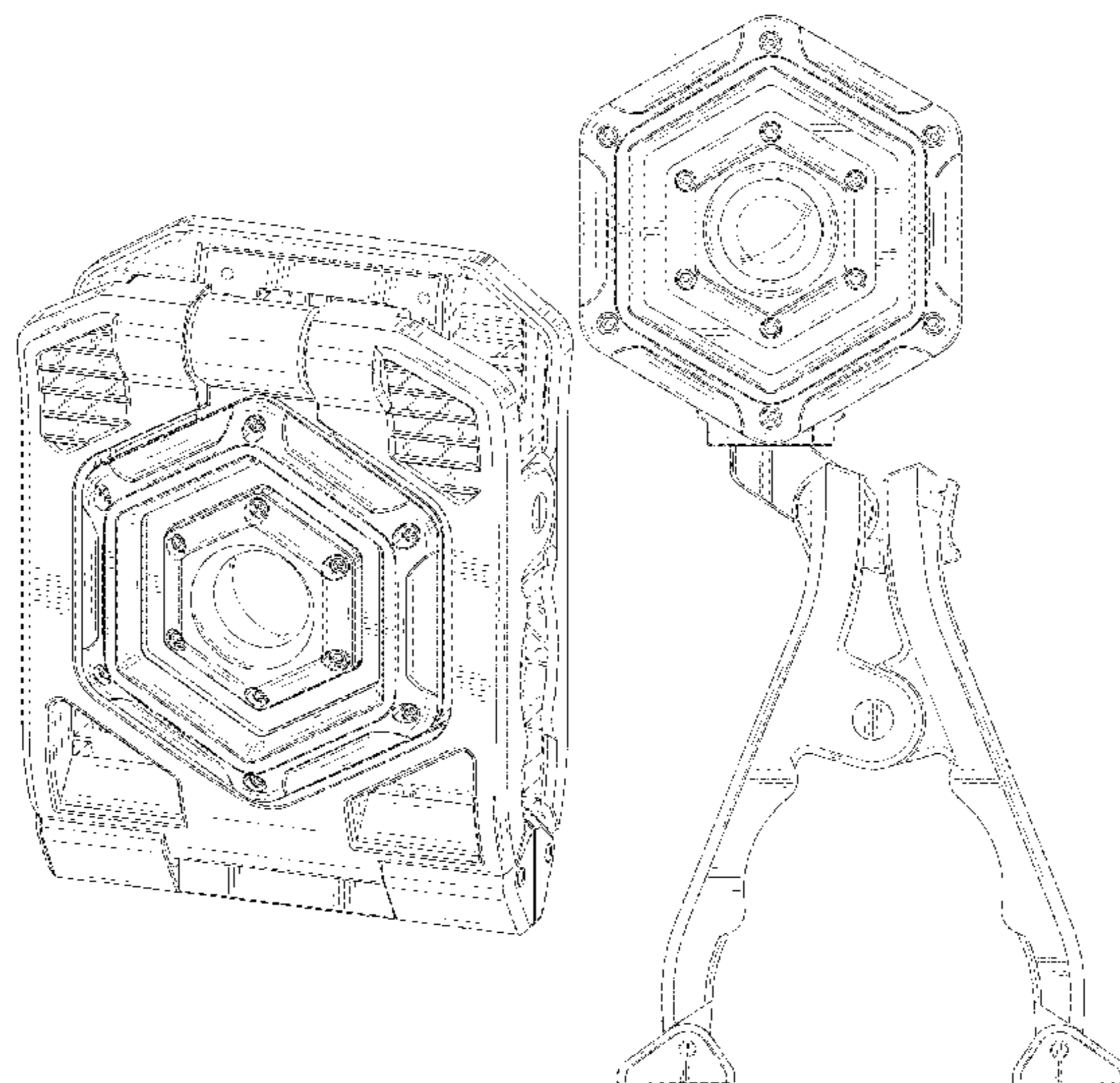
FIG. 14 is a front view of the clamping work light of FIG.
12.

FIG. 15 is a side view of the clamping work light of FIG. 12,
the opposite side view being a mirror image; and,

FIG. 16 is a side view of the clamping work light of FIG. 12
with the light rotated.

The broken lines show portions of the clamping work light
that form no part of the claimed design.

1 Claim, 16 Drawing Sheets



(58) **Field of Classification Search**

CPC F21L 4/04; F21L 4/045; F21L 4/085; F21S 8/00; F21S 8/003; F21S 8/043; F21V 14/00; F21V 14/02; F21V 15/01; F21V 17/007; F21V 21/00; F21V 21/088; F21V 21/0885; F21V 21/14; F21V 21/28; F21V 21/30

See application file for complete search history.

(56) **References Cited**

U.S. PATENT DOCUMENTS

6,585,400 B2 7/2003 Leen
 D496,483 S * 9/2004 Christianson F21V 21/30
 D26/60
 7,040,783 B1 5/2006 Christianson
 D541,965 S * 5/2007 Shiu D26/60
 D562,486 S * 2/2008 Luke D26/61
 7,478,917 B2 1/2009 Vu
 D609,376 S * 2/2010 Cristoforo D26/38
 D613,439 S * 4/2010 Lee D26/60
 7,850,329 B2 12/2010 Henry et al.
 D633,240 S * 2/2011 Cheng D26/60
 D640,397 S * 6/2011 Molina D26/38
 D640,398 S * 6/2011 Molina D26/38
 8,087,797 B2 1/2012 Pelletier et al.
 8,142,045 B2 3/2012 Peak
 D665,522 S * 8/2012 Werner D26/37
 8,262,246 B2 9/2012 Pelletier et al.
 D685,510 S * 7/2013 Henry D26/60
 8,764,253 B2 7/2014 Ko
 8,840,264 B2 9/2014 Molina et al.
 8,911,103 B2 12/2014 Matthews et al.
 D732,220 S * 6/2015 Bao D26/63
 D737,487 S 8/2015 Beckett et al.
 9,115,878 B2 8/2015 Ancona et al.
 9,194,547 B2 * 11/2015 Ancona F21V 21/0885
 D754,900 S * 4/2016 Mumma D26/60
 D786,660 S 5/2017 Cacciabeve
 D796,099 S * 8/2017 Bao F21V 21/088
 D26/63
 D817,531 S * 5/2018 Bao F21L 4/027
 D26/63
 D821,621 S * 6/2018 Noble F21V 23/06
 D26/51
 D824,063 S * 7/2018 Hutchens F21V 21/0885
 D26/60

D849,975 S * 5/2019 Huang F21V 9/30
 D26/37
 10,317,048 B2 * 6/2019 Hutchens F21V 9/30
 D857,958 S * 8/2019 Willows D26/38
 D915,649 S * 4/2021 Dewey D26/60
 D930,211 S * 9/2021 Qiu B62J 6/02
 D26/63
 2003/0007355 A1 * 1/2003 Leen F21V 21/0885
 362/287
 2003/0227773 A1 * 12/2003 Yang B62J 6/02
 362/199
 2005/0128738 A1 * 6/2005 Parker F21L 4/027
 362/184
 2009/0122562 A1 * 5/2009 Lee F21V 23/06
 362/396
 2012/0033412 A1 * 2/2012 Molina F21V 21/088
 362/119
 2014/0126192 A1 5/2014 Ancona et al.
 2017/0314769 A1 11/2017 Cacciabeve
 2020/0309355 A1 * 10/2020 Cacciabeve F21V 17/007
 2021/0033248 A1 * 2/2021 Cacciabeve F21V 21/30

OTHER PUBLICATIONS

Luceco British General Luceco LED Rechargeable Work Light, Dec. 10, 2018, Amazon.co.uk, site visited Oct. 13, 2021, url: <https://www.amazon.co.uk/dp/B07L8P9J53> (Year: 2018).
 Husky 1500-Lumens Rechargeable Clomp LED Work Light, Nov. 17, 2019, The Home Depot, site visited Oct. 13, 2021, url: <https://www.homedepot.com/p/Husky-1500-Lumens-Rechargeable-Clomp-LED-Work-Light-CL1500HD/309828851#overlay> (Year: Nov. 2019).
 DeWalt 20-Volt MAX Cordless LED Worklight, Model No. DCL044, www.homedepot.com, Jan. 1, 2019, 4 Pages.
 Lutec 1500-Lumen Portable Integrated LED Work Light, Model No. 6333, www.homedepot.com, Jan. 1, 2019, 5 Pages.
 Rob Robillard, Article—Ridgid LED Lighting Solutions, Tool Box Buzz, toolboxbuzz.com, Sep. 23, 2016, 14 Pages.
 New Klein Clamping LED Clamping LED Flashlight, Model No. 56029, www.toolguyd.com, May 9, 2018, 13 Pages.
 Stanley Heavy Duty Clamping Flashlight, Model No. 95-891, www.toolguyd.com, Nov. 13, 2009, 2 Pages.
 Craftsman 2000-Lumen LED Portable, Work Light, Model No. CMXELAYMPL1026, www.lowes.com, Apr. 16, 2019, 5 Pages.
 Blackfire Clamp Light Mini + LED Work Light, Model No. BBMX890X, www.homedepot.com, Apr. 16, 2019, 4 Pages.

* cited by examiner

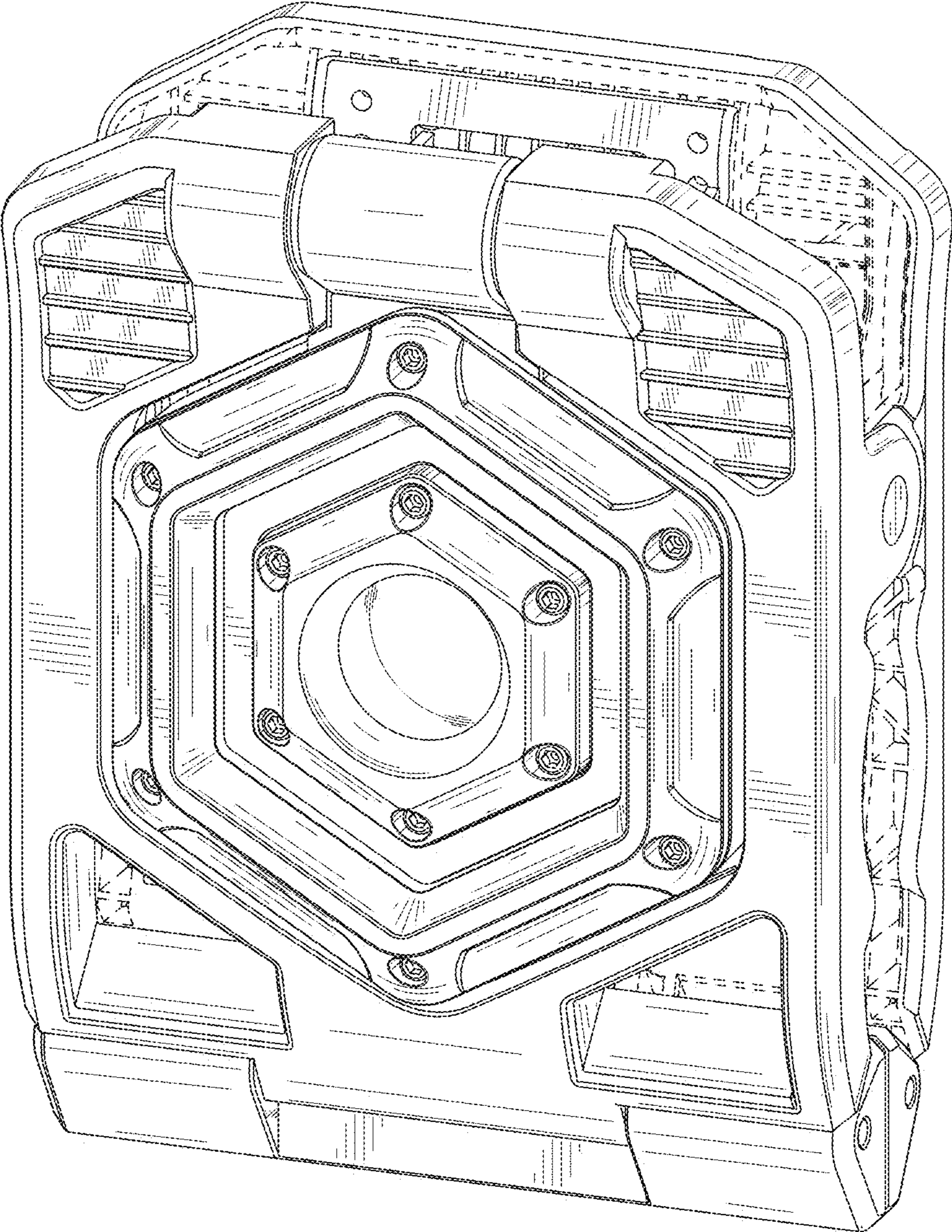


FIG. 1

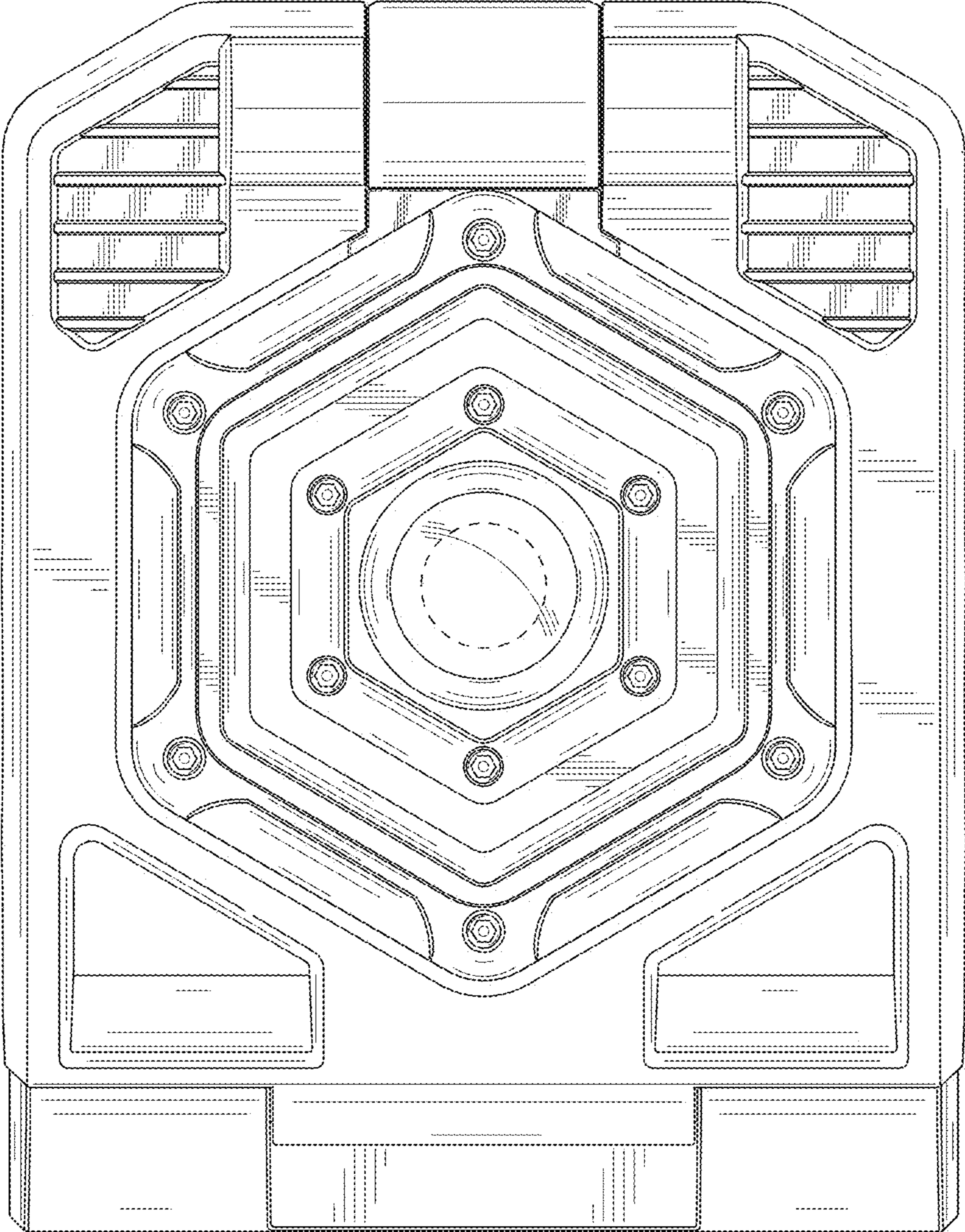


FIG. 2

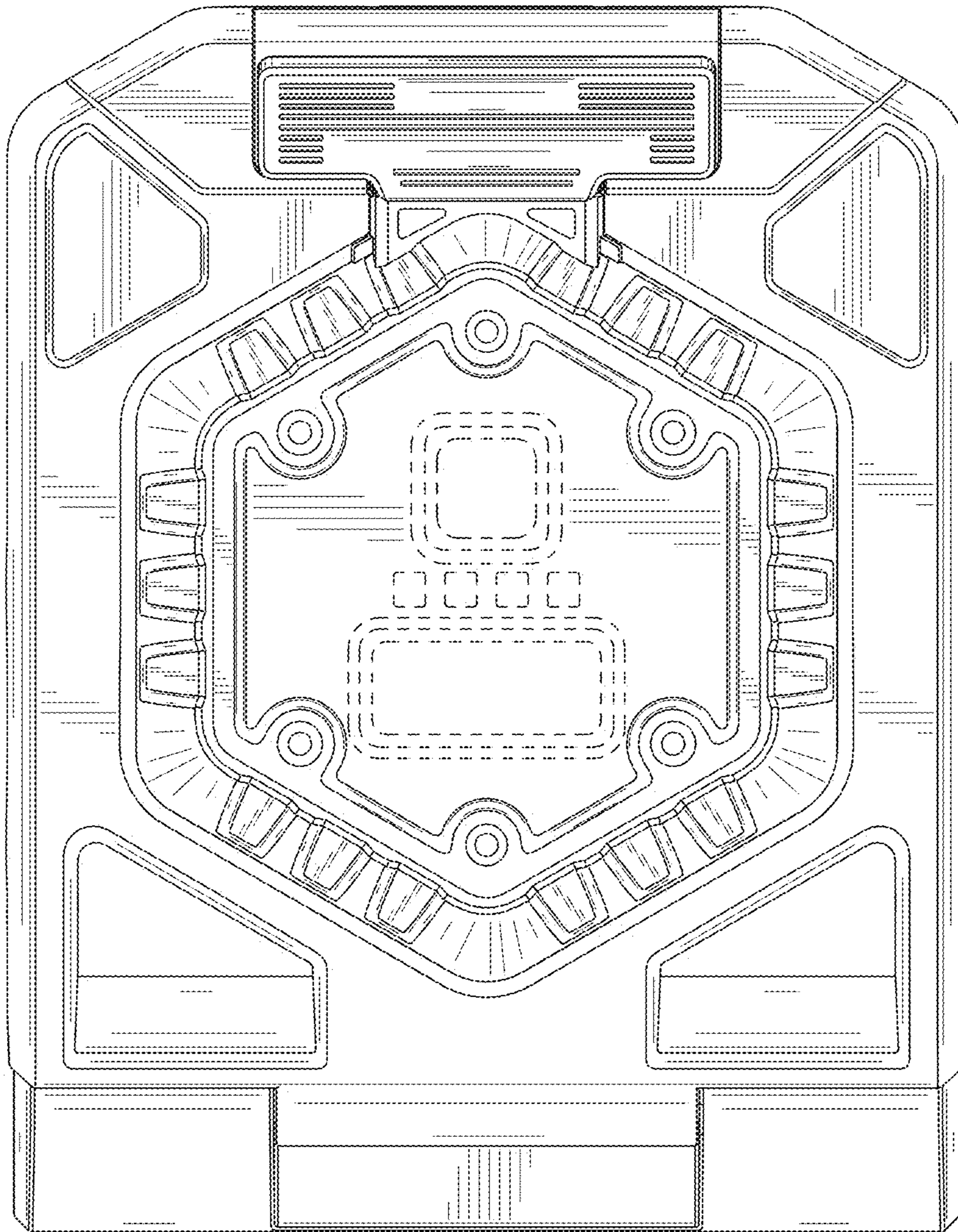


FIG. 3

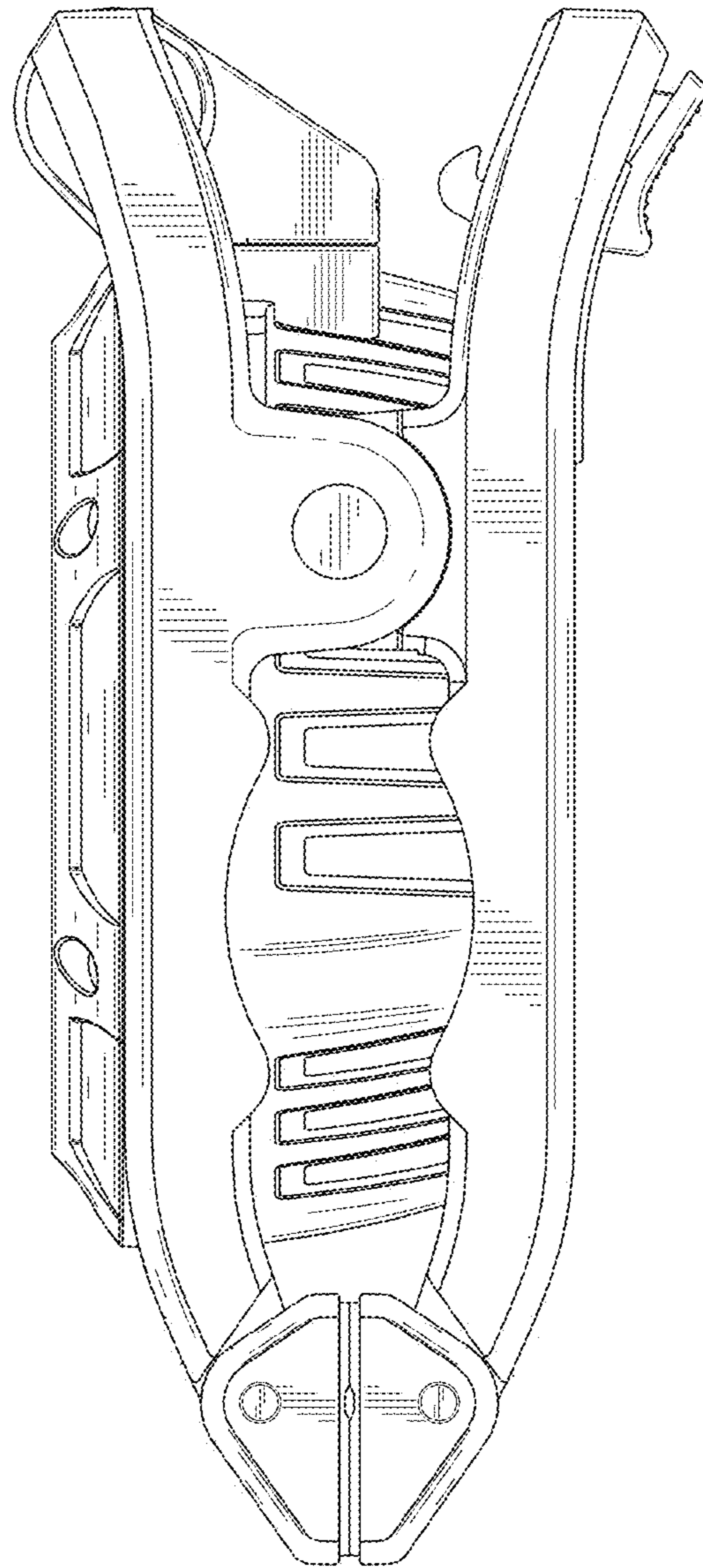


FIG. 4

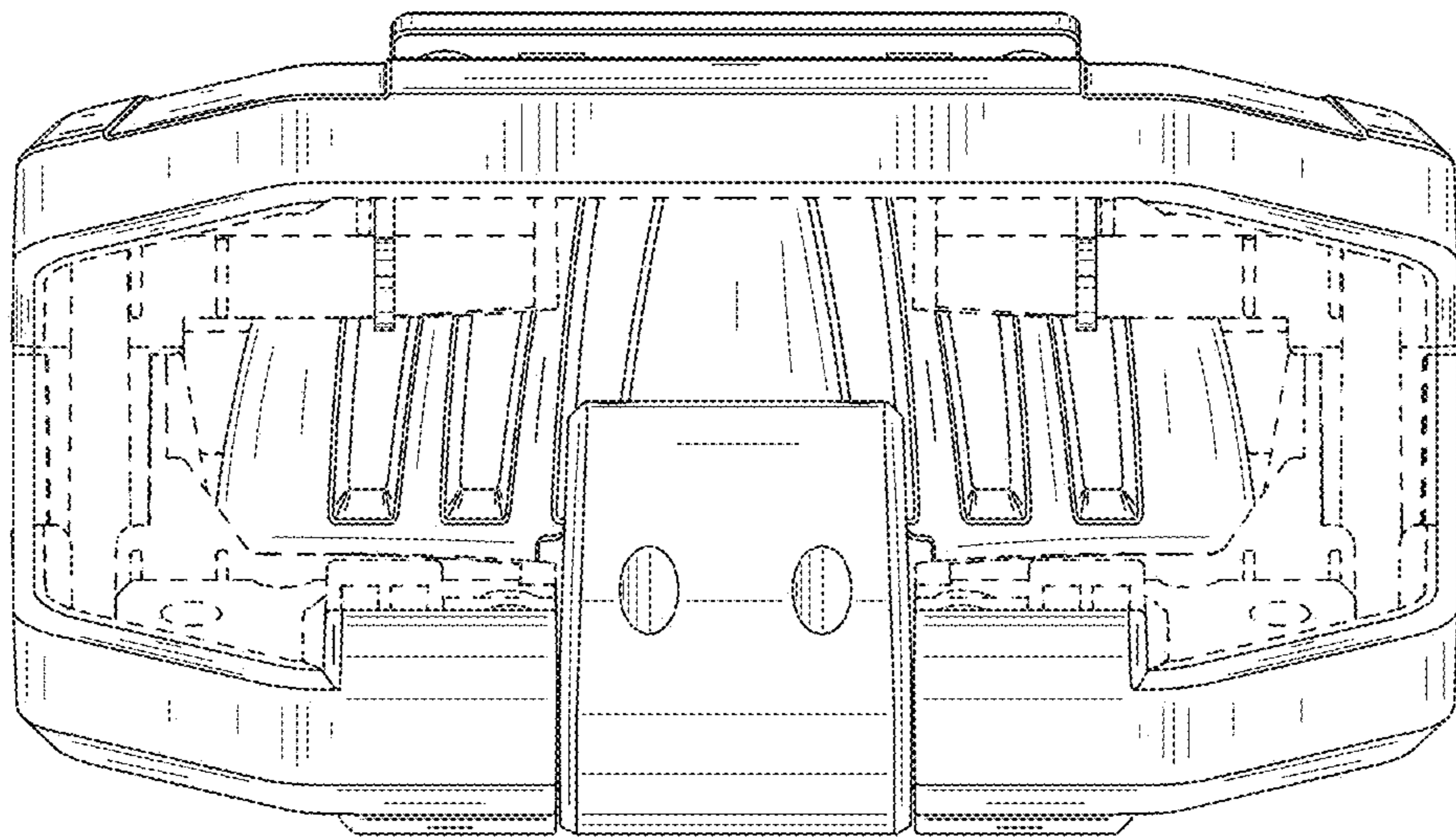


FIG. 5

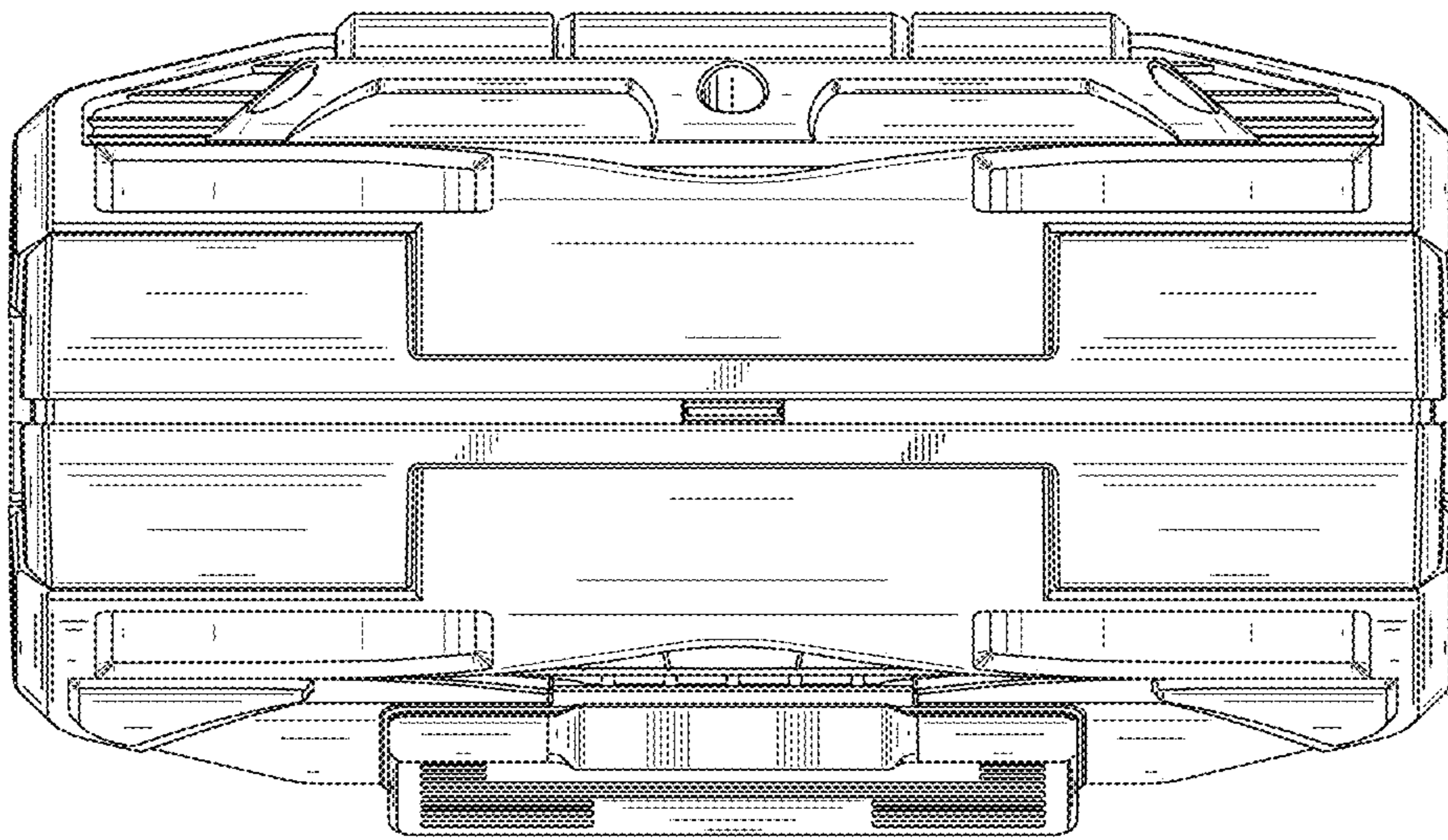


FIG. 6

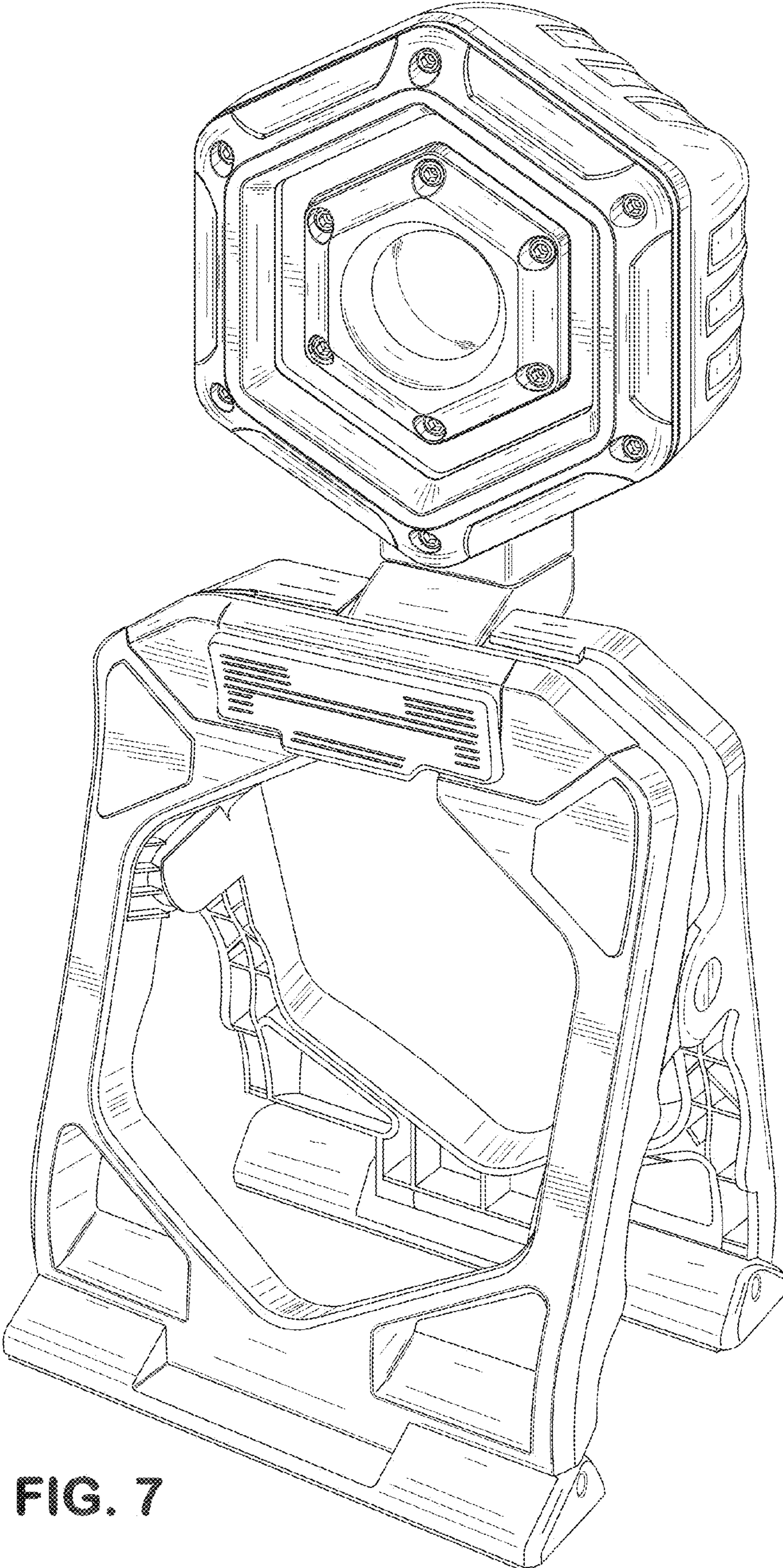


FIG. 7

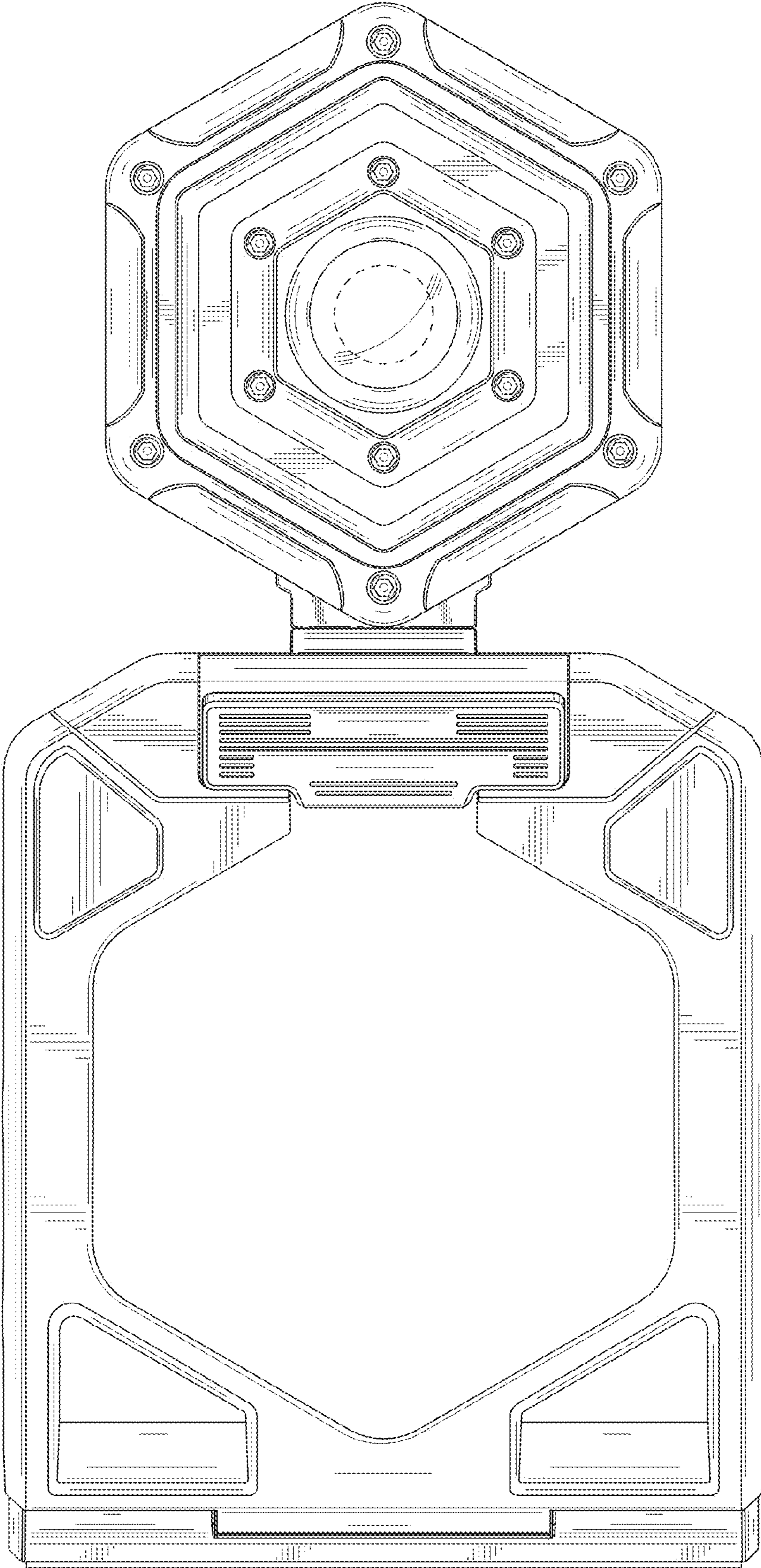


FIG. 8

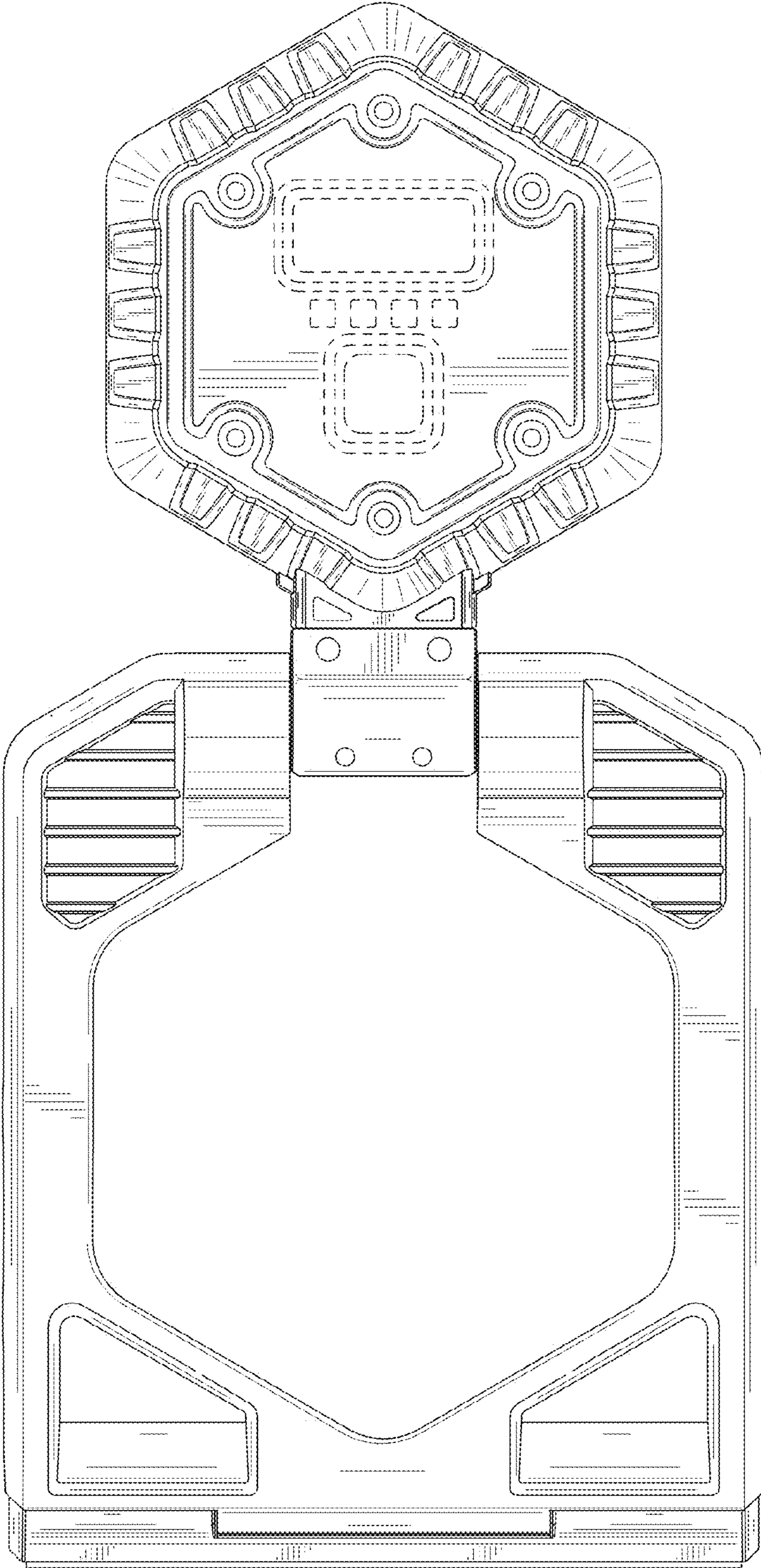


FIG. 9

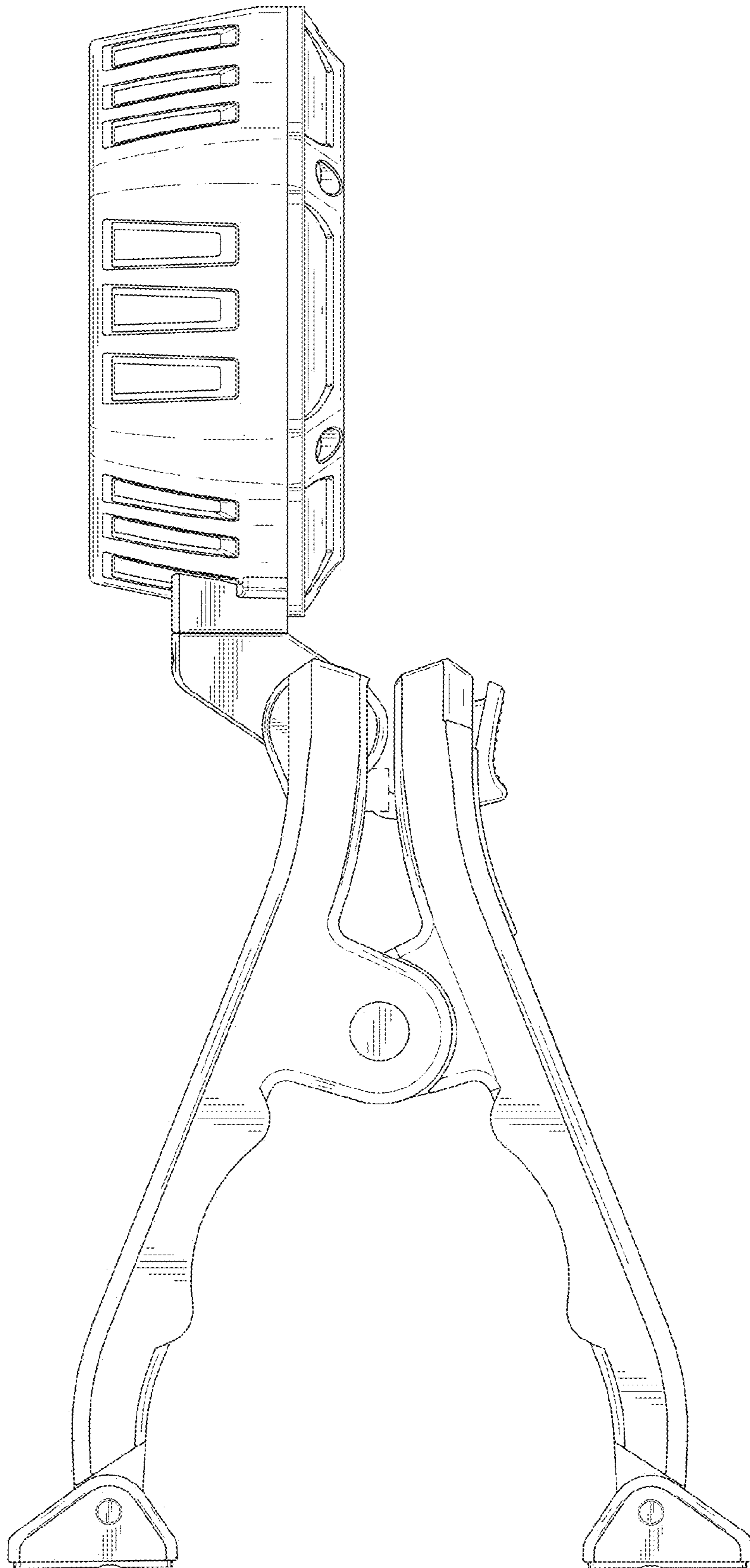


FIG. 10

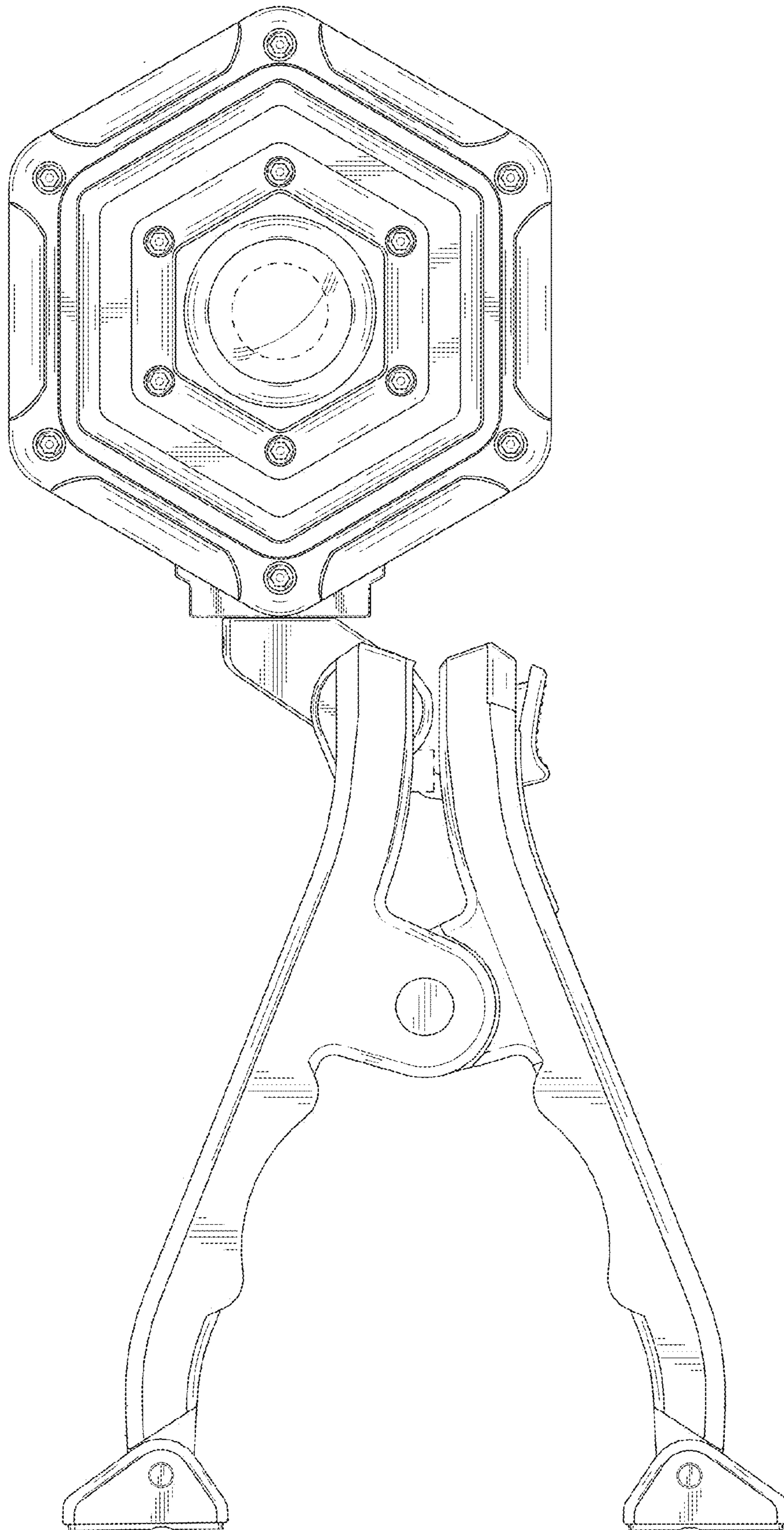


FIG. 11

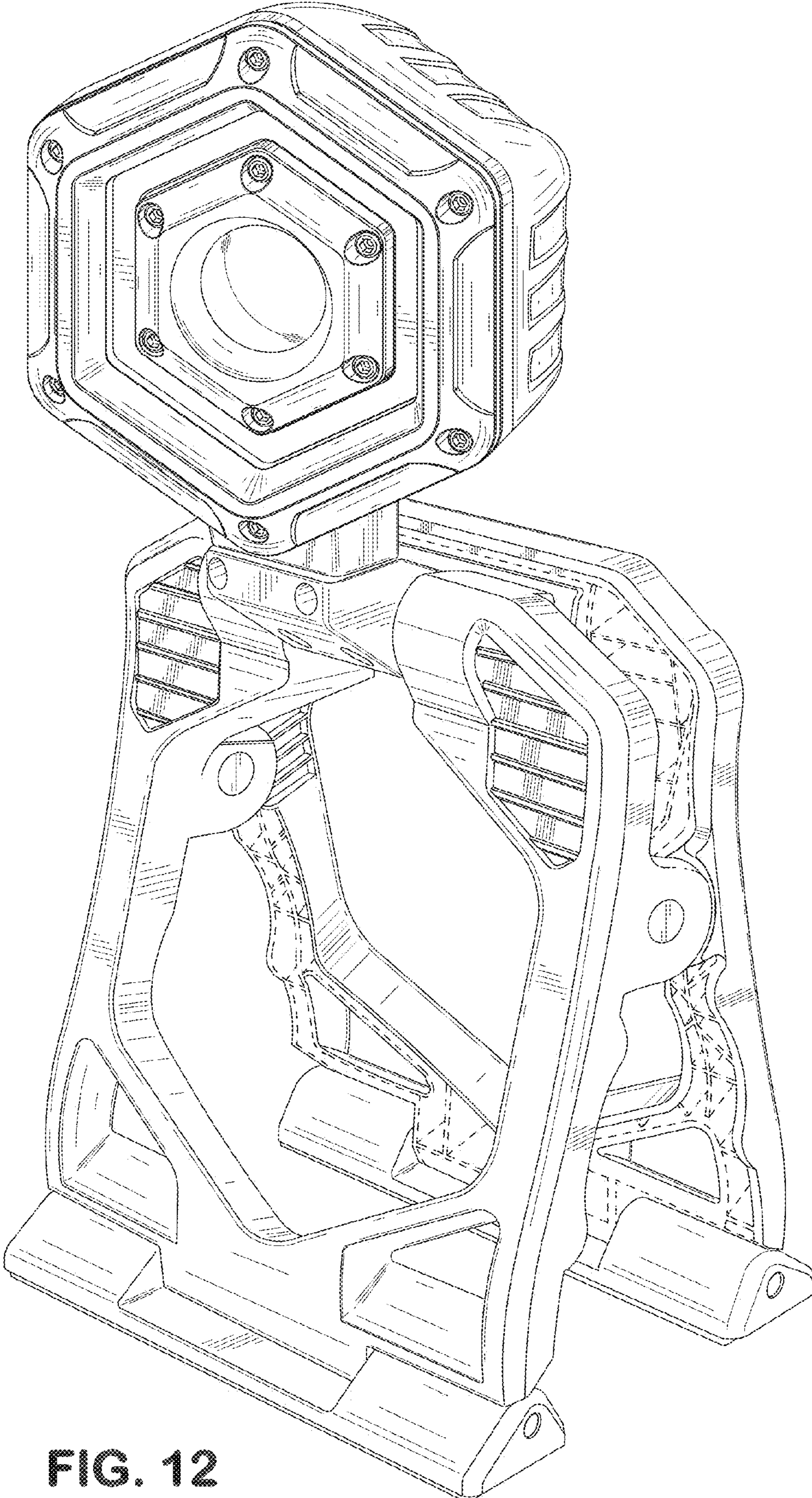


FIG. 12

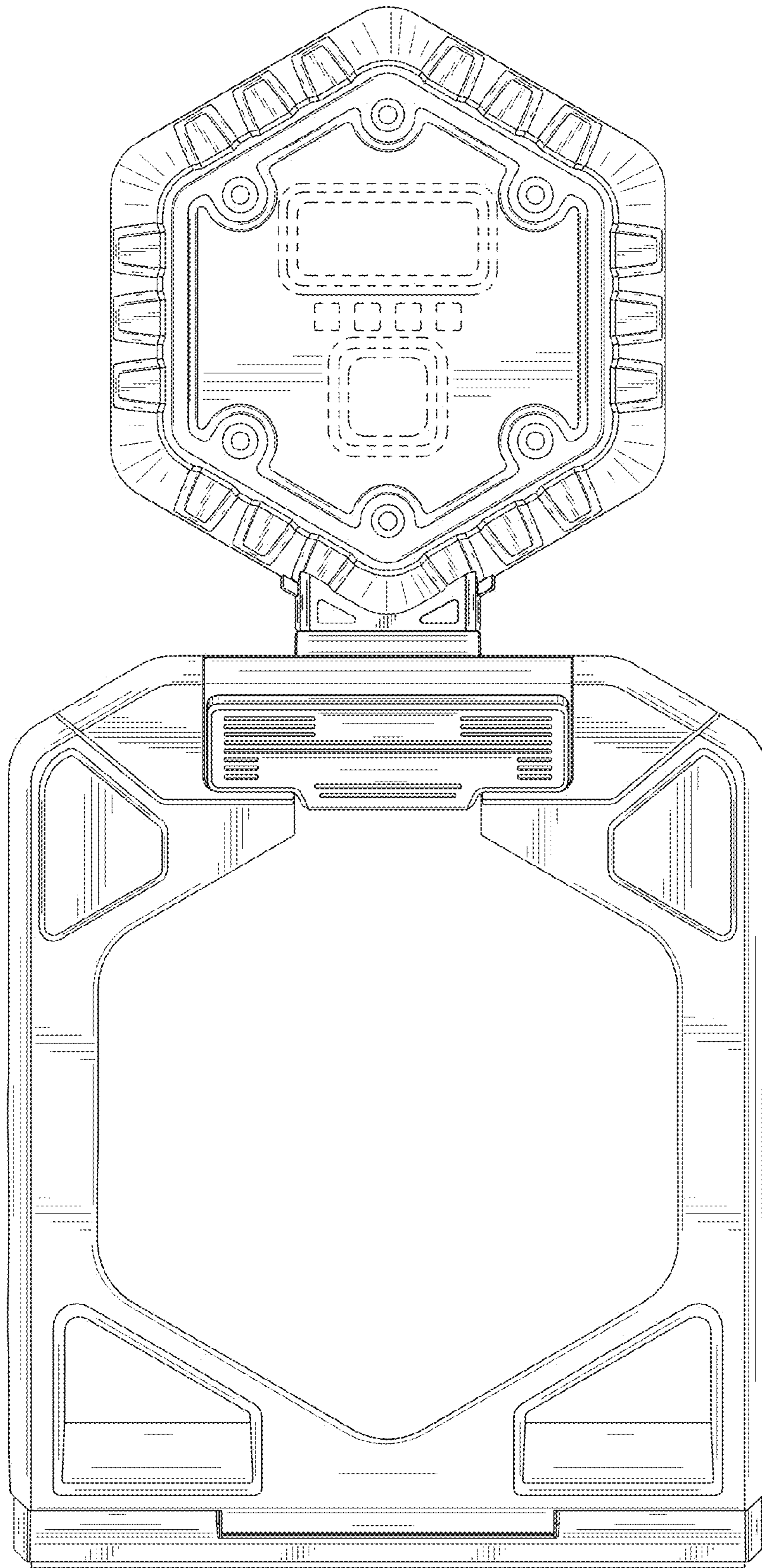


FIG. 13

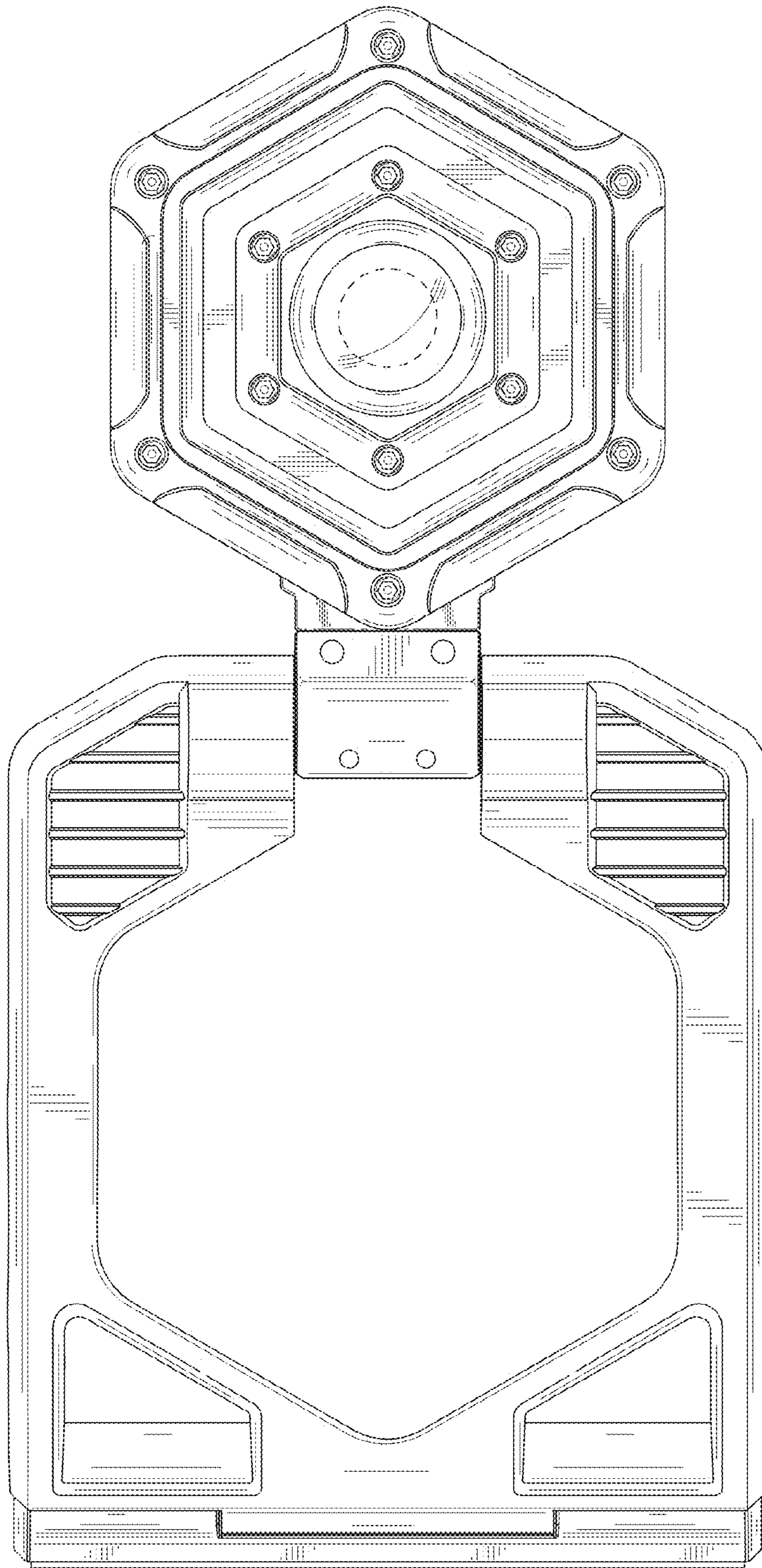


FIG. 14

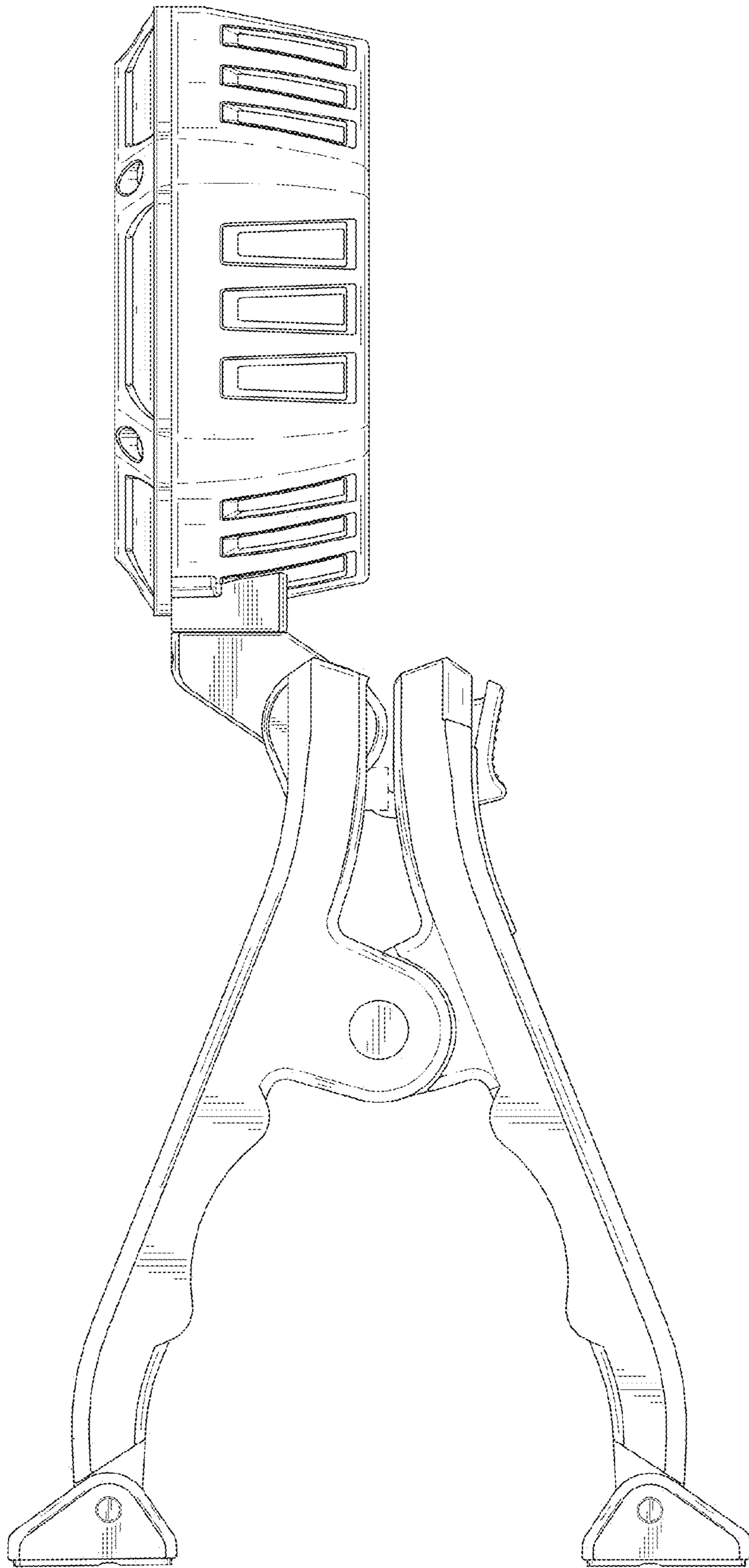


FIG. 15

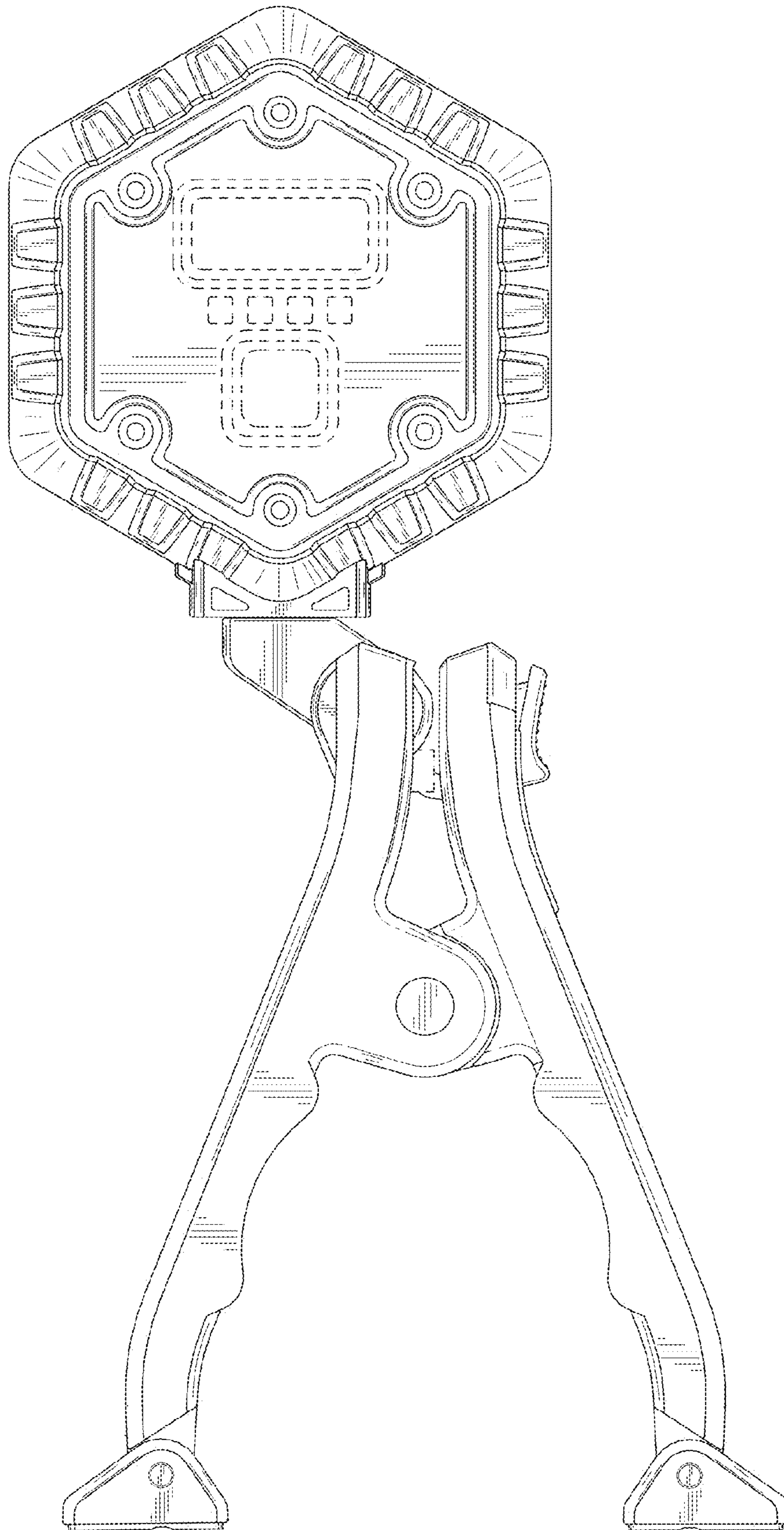


FIG. 16