



US00D974617S

(12) **United States Design Patent**
Lam

(10) **Patent No.:** **US D974,617 S**

(45) **Date of Patent:** **** Jan. 3, 2023**

(54) **FLASHLIGHT**

(71) Applicant: **Energizer Brands, LLC**, St. Louis, MO (US)

(72) Inventor: **Waikwong Lam**, Shenzhen (CN)

(73) Assignee: **ENERGIZER BRANDS, LLC**, St. Louis, MO (US)

(**) Term: **15 Years**

(21) Appl. No.: **29/760,422**

(22) Filed: **Dec. 1, 2020**

(51) **LOC (14) Cl.** **26-02**

(52) **U.S. Cl.**
USPC **D26/49**

(58) **Field of Classification Search**

USPC D26/24, 37-52, 113, 118-119, 138

CPC F21Y 2115/10; F21Y 2113/13; F21Y

2103/10; F21Y 2101/00; F21Y 2107/40;

F21Y 2105/10; F21Y 2105/18; F21Y

2113/00; F21Y 2113/10; F21Y 2113/17;

F21Y 2113/20; F21L 4/005; F21L 4/027;

F21L 4/085; F21L 4/08; F21L 4/045;

F21L 4/00; F21L 4/02; F21L 4/022; F21L

4/04; F21L 4/025; F21L 13/00; F21L

14/02; F21L 2/00; F21V 23/0414; F21V

23/0428; F21V 21/0965; F21V 23/0421;

F21V 15/01; F21V 21/0885; F21V

21/406; F21V 23/0407; F21V 23/06;

F21V 33/0064; F21V 33/0084; F21V

14/025; F21V 23/003; F21V 23/04; F21V

14/065; F21V 21/084; F21V 21/08; F21V

21/30; F21V 23/0435; F21V 31/00; F21V

31/005; F21V 33/0076; F21V 33/008;

F21V 5/006; F21V 7/0075; F21V 14/045;

F21V 15/012; F21V 17/12; F21V 19/02;

F21V 21/0816; F21V 21/0925; F21V

23/0464; F21V 23/0471; F21V 5/04;

F21V 13/045; F21V 17/002; F21V

21/096; F21V 21/145; F21V 23/023;

F21V 23/0442; F21V 29/70; F21V

33/0068; F21V 3/00; F21V 9/083; F21V
9/20; F21V 13/14; F21V 14/04; F21V
14/06; F21V 15/00; F21V 17/02; F21V
17/06; F21V 17/10; F21V 17/105; F21V
17/107; F21V 19/001; F21V 19/047;
F21V 21/00; F21V 21/002; F21V 21/06;
F21V 21/14; F21V 21/22; F21V 21/26;
F21V 21/32; F21V 23/001; F21V 23/002;
F21V 23/005; F21V 23/02; F21V 23/045;
F21V 23/0492; F21V 25/04; F21V 29/15;
F21V 29/503; F21V 29/508; F21V
29/713; F21V 29/763; F21V 29/767;
F21V 29/89; F21V 29/90; F21V 33/00;
F21V 33/0004; F21V 33/0052; F21V
3/02; F21V 5/00; F21V 5/008; F21V
5/046; F21V 5/048; F21V 5/08; F21V
7/0008; F21V 7/0083; F21V 7/04; F21V
7/041; F21V 7/06; F21V 7/22; F21V 7/24

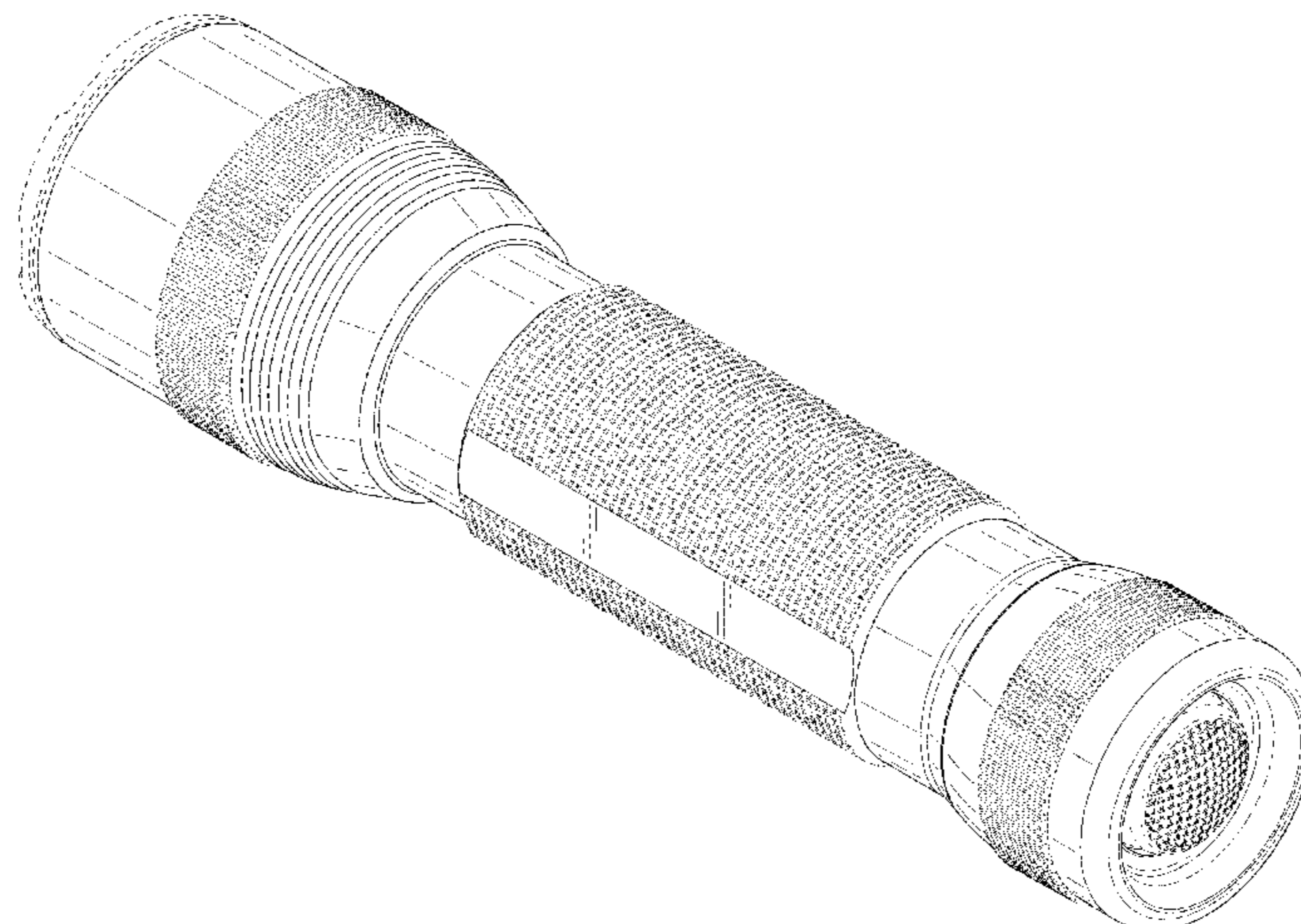
See application file for complete search history.

(56)

References Cited

U.S. PATENT DOCUMENTS

2,855,499 A	10/1958	Lewis
3,737,650 A	6/1973	Kaye et al.
D291,838 S	9/1987	Tung
4,803,605 A	2/1989	Schaller et al.
D315,608 S	3/1991	Petterson et al.
D336,966 S	6/1993	Yau
D356,650 S	3/1995	Petterson et al.
D360,045 S	7/1995	Inukai
D375,375 S	11/1996	Poon
D394,322 S	5/1998	Dalton et al.
D395,719 S	6/1998	Concari
D403,454 S	12/1998	Zelina, Jr. et al.
D421,145 S	2/2000	Man
D428,173 S	7/2000	Lynch et al.
D445,934 S	7/2001	Dalton et al.
D447,259 S	8/2001	Lynch et al.
D448,876 S	10/2001	Osiecki et al.
D448,878 S	10/2001	Dalton et al.
D449,395 S	10/2001	Dalton et al.
D449,703 S	10/2001	Dalton et al.
D452,024 S	12/2001	Sharrah
D452,025 S	12/2001	Poon
D455,513 S	4/2002	Galli
D465,865 S	11/2002	Hamilton et al.
D467,375 S	12/2002	Lynch et al.



US D974,617 S

D468,850 S	1/2003	Sharrah et al.	D685,939 S	7/2013	Cooper
D476,104 S	6/2003	Dalton et al.	D687,995 S	8/2013	Yeh
D480,824 S	10/2003	Englert et al.	D688,401 S	8/2013	Kung
D480,825 S	10/2003	Englert et al.	D689,229 S	9/2013	Yeh
D480,826 S	10/2003	Englert et al.	D689,230 S	9/2013	Yeh
D483,136 S	12/2003	Poon	D690,448 S	9/2013	Yeh
D483,784 S	12/2003	Ting	D706,476 S	6/2014	Lee
D486,257 S	2/2004	Kingston et al.	D707,869 S	6/2014	Wu
D487,810 S	3/2004	Kingston et al.	8,783,908 B2	7/2014	Gross et al.
D492,807 S	7/2004	Dalton et al.	D710,526 S	8/2014	Lee
D493,904 S	8/2004	Dalton et al.	D716,983 S	11/2014	Ma
D494,299 S	8/2004	Dalton et al.	D728,139 S	4/2015	Wang
D494,694 S	8/2004	Krieger et al.	D739,060 S	9/2015	Chouprinov et al.
D496,116 S	9/2004	Abernethy et al.	D742,570 S	11/2015	Brown et al.
D496,482 S	9/2004	Osiecki et al.	D743,075 S	11/2015	Keaton
D497,446 S	10/2004	Kingston et al.	D744,136 S	11/2015	Osiecki et al.
D499,499 S	12/2004	Cetera	D747,020 S	1/2016	Chouprinov et al.
D501,056 S	1/2005	Dalton et al.	D752,793 S	3/2016	Ng
D502,278 S	2/2005	Dalton et al.	D757,850 S	5/2016	Zhang
D502,564 S	3/2005	Dalton et al.	D765,899 S	9/2016	Hine et al.
D503,991 S	4/2005	Dalton et al.	D767,184 S	9/2016	Fitch et al.
D504,534 S	4/2005	Osiecki et al.	D767,187 S	9/2016	Hine
D504,737 S	5/2005	Osiecki et al.	D770,071 S	10/2016	Windom et al.
D504,740 S	5/2005	Dalton et al.	D772,456 S	11/2016	Bertken
D504,966 S	5/2005	Osiecki et al.	D774,230 S *	12/2016	Prieto D26/49
D504,970 S	5/2005	Dalton et al.	D785,841 S	5/2017	Brown et al.
D507,064 S	7/2005	Osiecki et al.	D785,940 S	5/2017	Reed
D507,364 S	7/2005	Lo	D788,965 S	6/2017	Roshak et al.
D514,721 S	2/2006	Osiecki et al.	D797,335 S	9/2017	Brown et al.
D518,216 S	3/2006	Rugendyke et al.	D798,482 S	9/2017	O'Doherty et al.
D518,217 S	3/2006	Rugendyke et al.	D799,087 S	10/2017	Koshiba
D520,161 S	5/2006	Krieger et al.	D806,295 S	12/2017	Kang et al.
D521,166 S *	5/2006	Yamamoto D26/37	9,845,938 B1	12/2017	Kaye et al.
D521,666 S	5/2006	Chean	D810,978 S	2/2018	Windom
7,070,297 B1	7/2006	Muhl nickel, Jr.	D811,636 S	2/2018	Galli et al.
D531,337 S	10/2006	Dalton et al.	D814,088 S *	3/2018	Cao D26/49
D531,747 S	11/2006	Brown	9,933,146 B2	4/2018	Maglica et al.
D536,117 S	1/2007	Krieger et al.	D817,528 S	5/2018	Wu
D536,464 S	2/2007	Kingston et al.	D818,621 S	5/2018	Kunzendorf
D544,118 S	6/2007	Osiecki et al.	D822,864 S	7/2018	Windom
D549,373 S	8/2007	Osiecki et al.	D826,439 S	8/2018	Ma
D549,377 S	8/2007	Osiecki et al.	D833,661 S	11/2018	Ma
D552,279 S	10/2007	Osiecki et al.	D837,428 S	1/2019	Arena
D552,280 S	10/2007	Osiecki et al.	D840,854 S	2/2019	Shi et al.
D552,776 S	10/2007	Osiecki et al.	D844,204 S	3/2019	Ma
D553,281 S	10/2007	Rugendyke et al.	D844,874 S	4/2019	Eichelberger et al.
D553,283 S	10/2007	Rugendyke et al.	D846,783 S	4/2019	Eichelberger
D554,786 S	11/2007	Rugendyke et al.	D849,979 S	5/2019	Lehovetzki
D557,840 S *	12/2007	Shiu D26/37	D851,310 S	6/2019	Windom et al.
D560,297 S	1/2008	Brown et al.	D851,797 S	6/2019	Sharrah
D562,480 S	2/2008	Spartano et al.	D855,850 S	8/2019	Brown
D574,529 S	8/2008	Squires et al.	D855,851 S	8/2019	Kotsis et al.
D577,140 S	9/2008	Brown et al.	D858,831 S	9/2019	Proeber
D578,687 S	10/2008	Hong	D866,030 S	11/2019	Bao
D579,135 S	10/2008	Shiu	D866,031 S	11/2019	Muyshondt
D582,915 S	12/2008	Leung	D866,830 S *	11/2019	Pan D26/49
D589,635 S	3/2009	Rugendyke et al.	D871,639 S	12/2019	Prieto
D596,772 S	7/2009	Chang	D882,840 S	4/2020	Liu
D598,151 S	8/2009	McGraw	D883,546 S	5/2020	Li
D603,990 S	11/2009	Brown et al.	D891,663 S	7/2020	Weizel
D605,795 S	12/2009	Baker et al.	D894,456 S	8/2020	Luo
D617,023 S	6/2010	Rugendyke et al.	D895,183 S	9/2020	Qiu
D620,161 S	7/2010	Kang et al.	D895,868 S	9/2020	Christensen
D622,428 S	8/2010	Crawford et al.	D895,869 S	9/2020	Qiu
D625,448 S	10/2010	Brown et al.	D897,578 S *	9/2020	Le D26/37
D628,727 S	12/2010	Risch et al.	D897,579 S	9/2020	Le
D629,941 S	12/2010	Robinson et al.	D905,885 S *	12/2020	Kotsis D26/49
D630,783 S	1/2011	Baker et al.	D906,560 S	12/2020	Liu
D637,747 S	5/2011	Hesse et al.	D907,826 S	1/2021	Christensen
D641,510 S	7/2011	Wang	D914,938 S	3/2021	Qiu
D649,275 S	11/2011	Crawford et al.	D916,341 S *	4/2021	Christensen D26/49
D658,322 S	4/2012	Wu	D917,753 S	4/2021	Guo et al.
D659,270 S	5/2012	Nguyen et al.	D933,868 S *	10/2021	Zhao D26/37
D661,734 S	6/2012	Johnson	D935,654 S	11/2021	Kotsis et al.
D675,764 S	2/2013	Boutet et al.	D945,035 S	3/2022	Zeng
D676,170 S	2/2013	Feng et al.	2004/0012955 A1	1/2004	Hsieh
D676,993 S	2/2013	Kotsis et al.	2004/0095759 A1	5/2004	Koch et al.
8,382,312 B2	2/2013	Crawford et al.	2006/0274520 A1	12/2006	Dalton et al.
D681,858 S	5/2013	Sharrah et al.	2008/0304258 A1	12/2008	McMillan et al.

2009/0147506	A1	6/2009	Robinson
2010/0046211	A1	2/2010	Spartano et al.
2010/0090613	A1	4/2010	Spartano
2015/0267882	A1	9/2015	O'Brien
2016/0381755	A1	12/2016	Qiu
2019/0170337	A1	6/2019	Schlafer
2020/0018449	A1	1/2020	Christensen
2020/0400302	A1	12/2020	Zhu et al.

FOREIGN PATENT DOCUMENTS

CN	302415703	4/2013
CN	303938127	11/2016
CN	304718569	7/2018
CN	304830674	9/2018
CN	305190490	5/2019
CN	305246246	7/2019
CN	305318325	8/2019
CN	305525587	12/2019
CN	306364372	3/2021
CN	306780377	8/2021
EM	001176739-0001	11/2009
EM	002536789-0001	9/2014
EM	006496618-0001	5/2019
GB	5000659	11/2015
JP	D1424946	9/2011
KR	301066130.0000	7/2020
WO	WO 2004/083714	A1 9/2004

OTHER PUBLICATIONS

Energizer TAG 1000 LED Flashlight. By Energizer. Dated Apr. 11, 2020. Found online [Feb. 1, 2022]. <https://www.homedepot.com/p/Energizer-Energizer-TAC-1000-LED-Flashlight-1000-Lumens-ENPMHT61/311802761#overlay> (Year: 2020).*

amazon.com, "Eveready LED Economy 1D Size Flashlight with Battery (2 Pack)", 8 pages, [retrieved from the Internet Feb. 1, 2021] <URL: <https://www.amazon.com/Eveready-Economy-Size-Flashlight-Battery/dp/B004PZPB2I>>.

doitbest.com, "Energizer 400 Lm. LED 2AA Flashlight", 3 pages [retrieved from the Internet Sep. 24, 2020] <URL: <https://www.doitbest.com/shop/electrical/batteries-and-flashlights/flashlights-and-lanterns/led-flashlight/energizer-400-Inn-led-2aa-flashlight?SKU=802040>>.

gadgetworld2u.com, "Energizer TAC 1000 6AA Wool Tactical LED Flashlight PMHT61", 8 pages, [retrieved from the Internet Feb. 1, 2021] <URL: <https://www.gadgetworld2u.com/energizer-tac-1000-6aa-10001-led-flashlight-pmht61>>.

manualzz.com, "Energizer Product Sheet, LED Grip-It (2AA) GPHH21", 2 pages, [retrieved from the Internet Feb. 1, 2021], <URL: <https://manualzz.com/doc/31285241/led-grip-it-2aa---energie-distribution>>.

suntos.com.my, "Eveready One Led Light GPHH25 Included 2 X D Batteries", 15 pages, [retrieved from the Internet Feb. 1, 2021], <URL: <http://Suntos.com.my/v1/product/eveready-one-led-light-gphh25-included-2-x-d-batteries/?v=7516fd43adaa>>.

amazon.com: Energizer LED Pen Light. Date uploaded: Jan. 13, 2020 [site visited Sep. 24, 2020]. Retrieved from internet: <<https://www.annazon.com/dp/B083T6C7DK?tag=price17305-20&ascsubtag=wtbs5f6cda009bcel45cf8b6287b>> (Year: 2020).

ebay.com: Energizer LED Pen Light, Aircraft-Grade Aluminum Body. Undated online product page. Retrieved on Sep. 24, 2020 from <<https://www.ebay.com/i/124250146708?chn=ps&norover=1&nnkvt=1&nnkrid=711-117182-37290-0&nnkcid=2&itennid=124250146708&targetid=935694488066&device=...>> (Year: 2020).

Energizer Hard Case Professional Light, [online], [site visited Nov. 13, 2020], [Available from Internet], URL: <https://www.annazon.com/Energizer-Hard-Case-Professional-Light/dp/B000R8J8CQ?ref=aststo_dp&th=1&psc=1> 5 pages (Year: 2007).

energizer.com: Performance Metal Inspection Light. Undated online product page. Retrieved on Sep. 24, 2020 from <<https://www.energizer.com/flashlights-lighting/energizer-performance-metal-inspection-light>> (Year: 2020).

Energizer T1000 LED Tactical Flashlights, Bright 1000 High Lumens, Heavy Duty Water Resistant Flashlight for Emergency, Survival Kit, Camping Gear, Choose AA Battery or USB Rechargeable, [Amazon.com, online shopping], Jul. 26, 2021, [retrieved Dec. 27, 2021], retrieved from the Internet <URL: https://www.amazon.com/Energizer-Flashlight-Accessories-Ultra-Durable-Flashlights/dp/B07RX1W7W7/ref=sr_1_9?keywords=energizer%2Bflashlights&qid=1637739592&sr=8-9&th=1> (10 pages).

Energizer Eveready DLAH41 Dolphin 2-in-1 Emergency Light, [Self Fix DIY, online shopping], [retrieved Jan. 11, 2022], retrieved from the Internet <URL: <https://selfix.com/product/energizer-eveready-dlah41-dolphin-2-in-1-emergency-light/>> (8 pages).

"Dorcy 4 LED Carabineer Waterproof Flashlight," Nov. 17, 2016, kmart.com, site visited Jun. 24, 2021, URL: <https://www.kmart.com/dorcy-4-led-carabineer-waterproof-flashlight/p-03493785000P> (Year: 2016), 8 pages.

"Energizer TouchTech Flashlight," Apr. 14, 2017, youtube.com, site visited Jun. 24, 2021, URL: <https://www.youtube.com/watch?v=o9L1Bh18Di8> (Year: 2017), 1 page.

"Lumen Penlight," Jun. 8, 2018 (review), amsterdamprinting.com, site visited Jul. 14, 2021, URL: <https://www.amsterdamprinting.com/p/lumen-penlight?id=43984#pdreviews> (Year: 2018), 6 pages.

"Stylus Pen," Aug. 23, 2017, amazon.com, site visited Jul. 14, 2021, URL: https://www.amazon.com/Multi-Function-Capacitive-Touchscreen-Flashlight-Multi-Color/dp/B07534MVYZ/ref=sr_1_44?dchild=1&keywords=ergonomic+pen+light&qid=1626350304&sr=8-44 (Year: 2017), 5 pages.

"White Light Tip Pen," Nov. 13, 2014, amazon.com, site visited Jul. 14, 2021, URL: <https://www.amazon.com/White-Light-Tip-Pen-LED/dp/B006IWU48W> (Year: 2014), 3 pages.

"Coast HP1 190 Lumen Pure Beam Focusing LED Flashlight," Feb. 12, 2014, amazon.com, retrieved on Jun. 3, 2021, URL: https://www.amazon.com/COAST-Lumen-Pure-Focusing-Flashlight/dp/B00IEMUOWU/ref=sr_1_136?crd=2IX2UPMAO4DEF&dchild=1&keywords=surefire+flashlights&qid=1622772444&sprefix=surefire%2Caps%2C173&sr=8-136 (Year: 2014).

"Energizer LED Tactical Metal Flashlight," Apr. 4, 2019, amazon.com, retrieved on Jun. 4, 2021, URL: <https://www.amazon.com/Energizer-Tactical-Flashlight-Aircraft-Grade-Water-Resistant/dp/B07QD4X194> (Year: 2019).

"Streamlight 88065 Pro Tac," Feb. 11, 2017, amazon.com, retrieved on Jun. 3, 2021, URL: <https://www.amazon.com/Streamlight-88065-Professional-Flashlight-Rechargeable/dp/B06VTL1C13/> (Year: 2017).

"Energizer Rubber LED Flashlight," Jun. 26, 2012, amazon.com, site visited Jul. 29, 2021, URL: https://www.amazon.com/Energizer-2AA-Rubber-Flashlight-Black/dp/B003USM3AE/ref=sr_1_56?dchild=1&keywords=energizer%2Bflashlight&qid=1627591447&sr=8-56&th=1 (Year: 2012).

Energizer Rechargeable Spotlight. By Energizer. Dated Aug. 5, 2021. Found online [Mar. 30, 2022]. <https://www.amazon.com/ENERGIZER-Rechargeable-Spotlight-Powerful-Resistant/dp/B09BZZ7XHL> (Year: 2021).

Energizer LED Tactical Flashlight. By Energizer. Dated Dec. 19, 2019. Found online [Mar. 30, 2022]. <https://www.amazon.com/Energizer-Flashlight-Resistant-Emergency-Batteries/dp/B082XXR78Z> (Year: 2019).

LED Tactical Flashlight. By Eveready. Dated Apr. 16, 2021. Found online [Jan. 13, 2022]. <https://www.amazon.com/Eveready-Rechargeable-Flashlight-Aluminum-Resistant/dp/B092RKW6G7> (Year: 2021).

Morpilot Rechargeable LED Flashlight. By morpilot. Dated Apr. 2, 2021. Found online [Jan. 13, 2022]. <https://www.amazon.com/morpilot-Rechargeable-Flashlights-Flashlight-Ennergencies/dp/B091LLDSDK> (Year: 2021).

Olight Seeker 3 Pro 4200 Lumens Ultra Bright Floodlight Flashlight. By Olight. Dated Oct. 11, 2021. Found online [Jan. 13, 2022]. <https://www.amazon.com/dp/B09FJM4LDP?> (Year: 2021).

Rechargeable Flashlight. By Karrong. Dated May 18, 2019. Found online [Jan. 13, 2022]. <https://www.amazon.com/dp/B07RZCP692/?tag=ghtrx25-20&th=1> (Year: 2019).

* cited by examiner

Primary Examiner — Marissa J Cash

Assistant Examiner — William B Melliar

(74) *Attorney, Agent, or Firm* — Alston & Bird LLP

(57) **CLAIM**

The ornamental design for a flashlight, as shown and described.

DESCRIPTION

FIG. 1 is a top rear perspective view of a flashlight according to the present design.

FIG. 2 is a bottom front perspective view of the flashlight of FIG. 1.

FIG. 3 is a top view thereof.

FIG. 4 is a bottom view thereof.

FIG. 5 is a left side view thereof.

FIG. 6 is a right side view thereof.

FIG. 7 is a front view thereof; and,

FIG. 8 is a rear view thereof.

The broken lines in the drawings depicts portions of the flashlight that form no part of the claimed design.

1 Claim, 8 Drawing Sheets

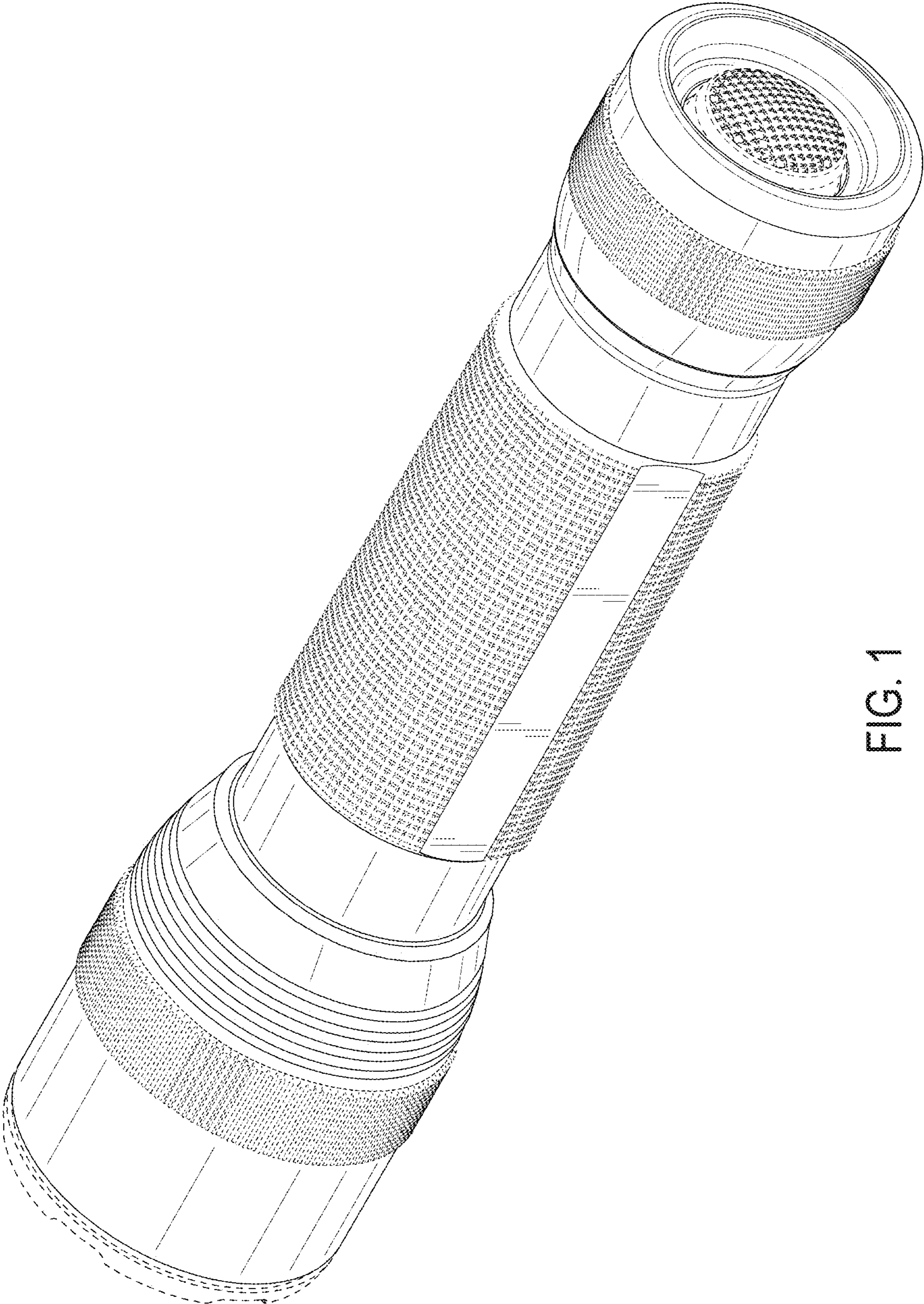


FIG. 1

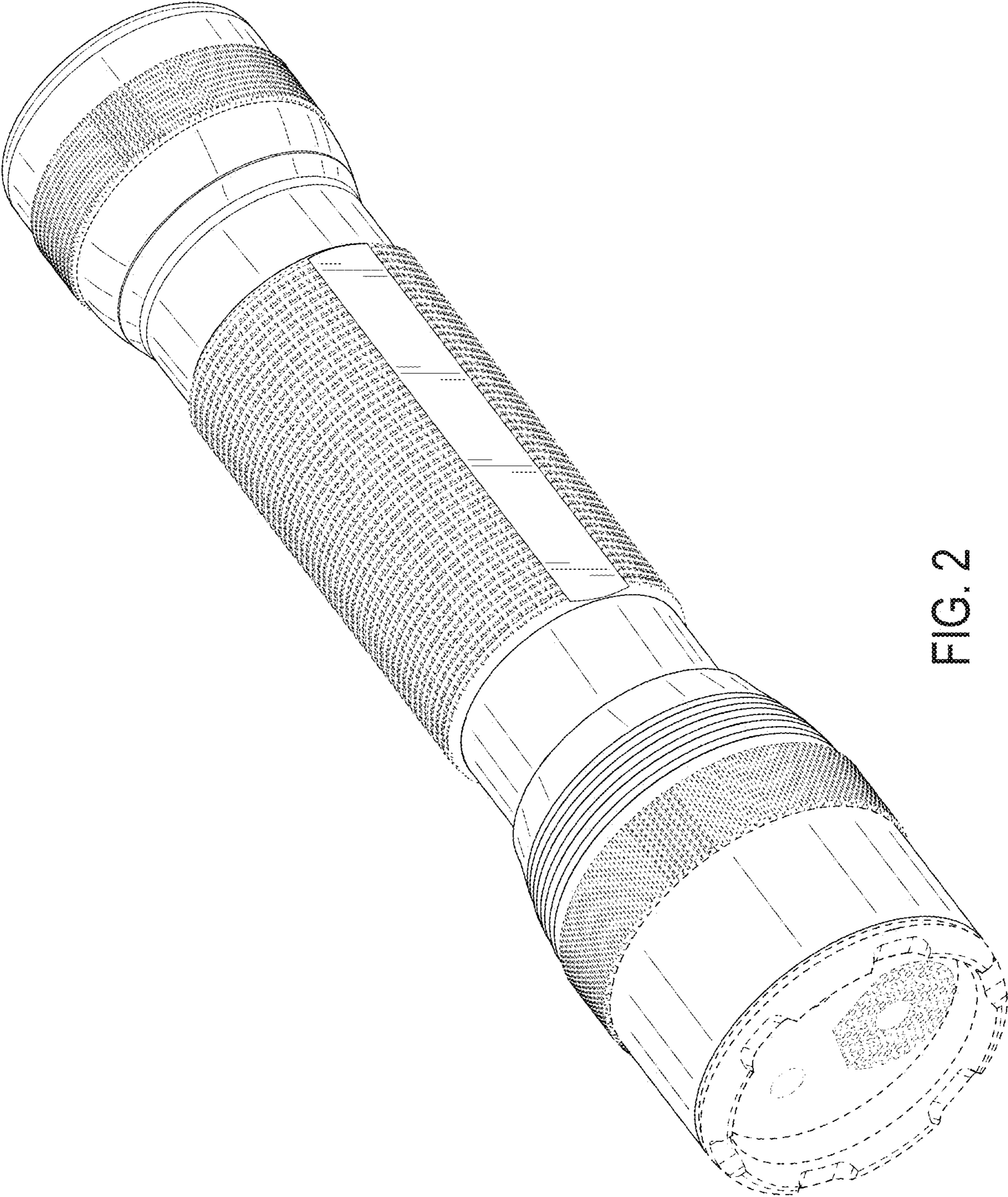


FIG. 2

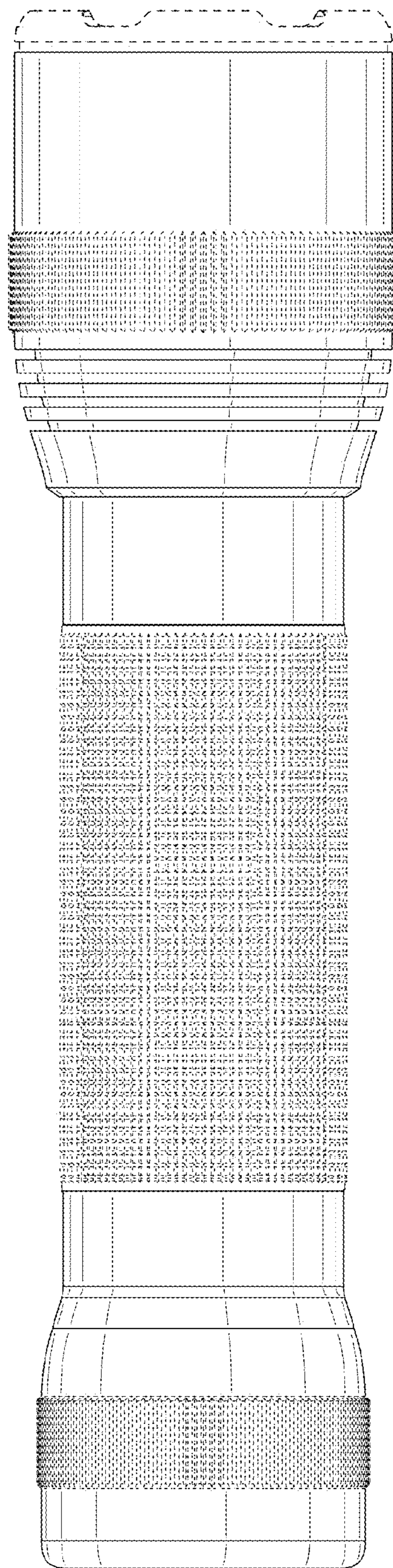


FIG. 3

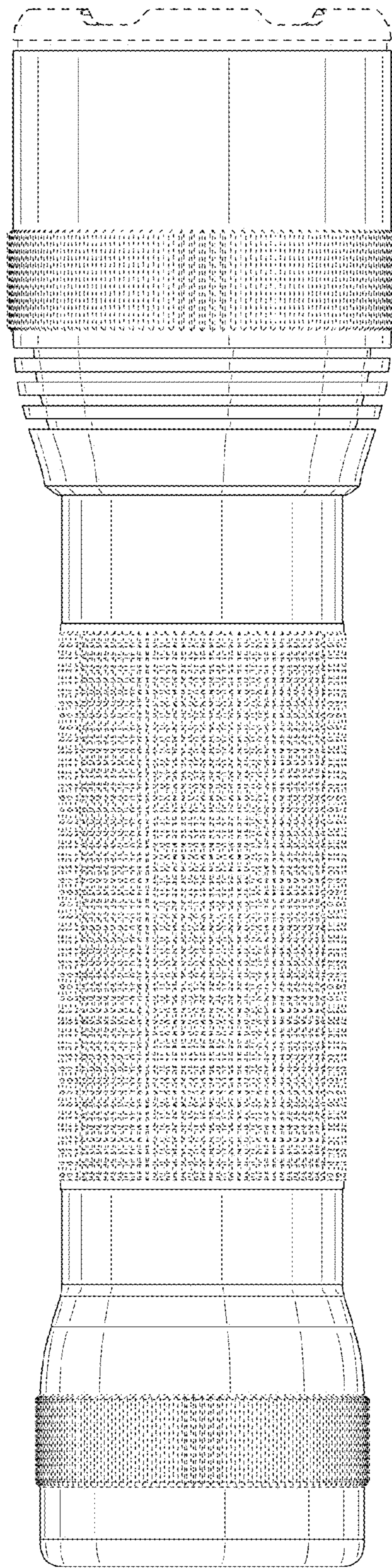


FIG. 4

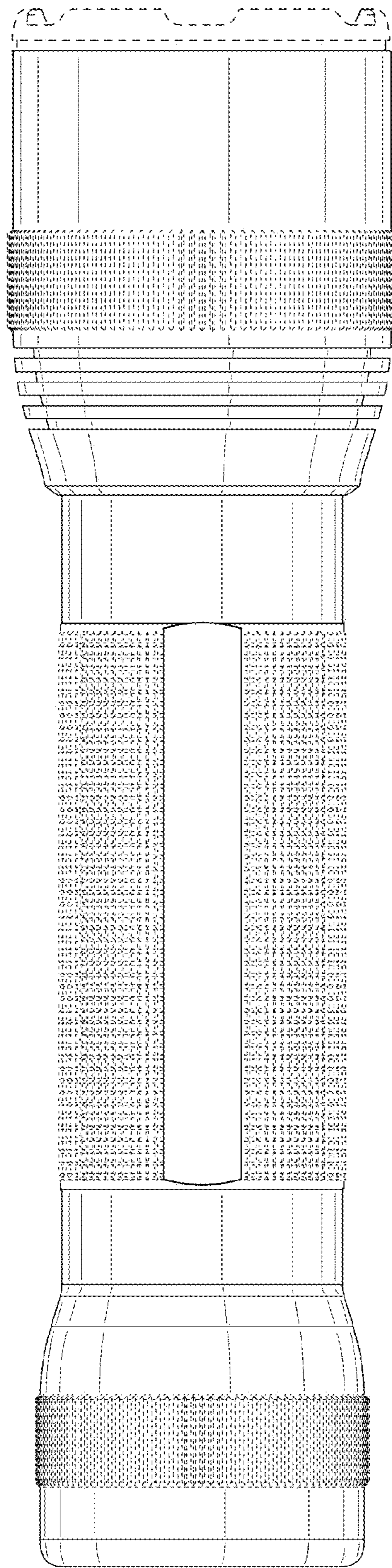


FIG. 5

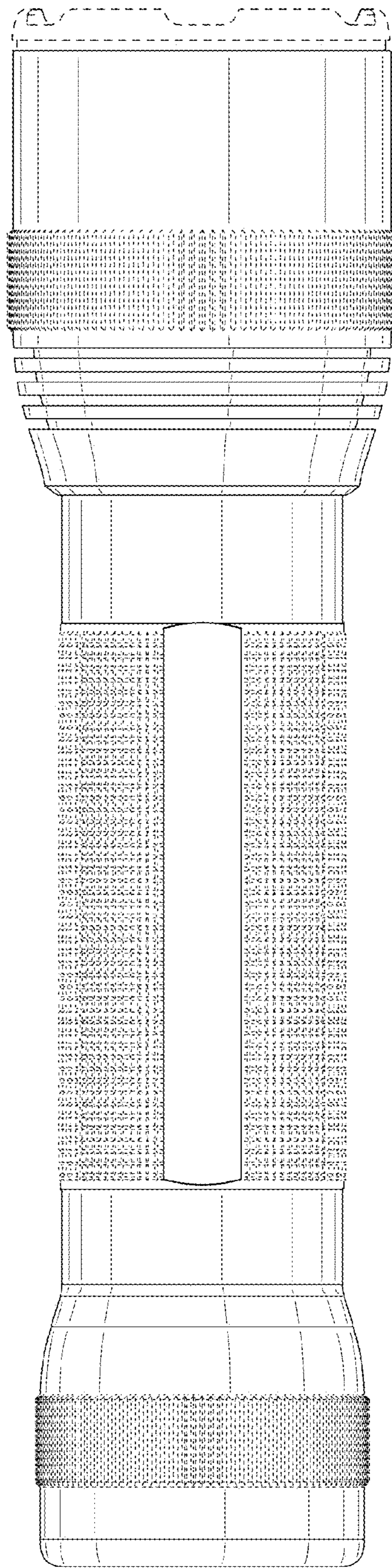


FIG. 6

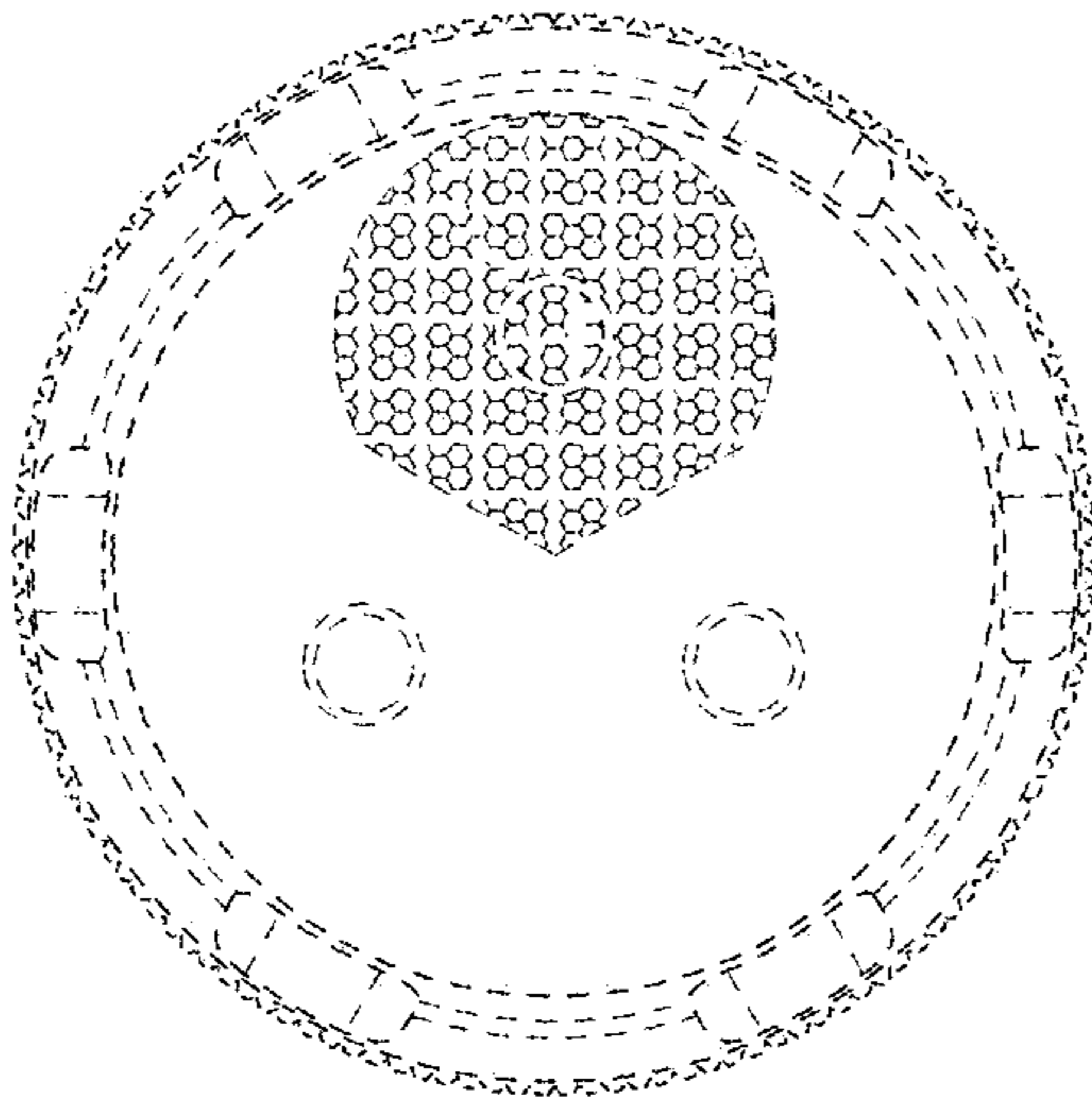


FIG. 7

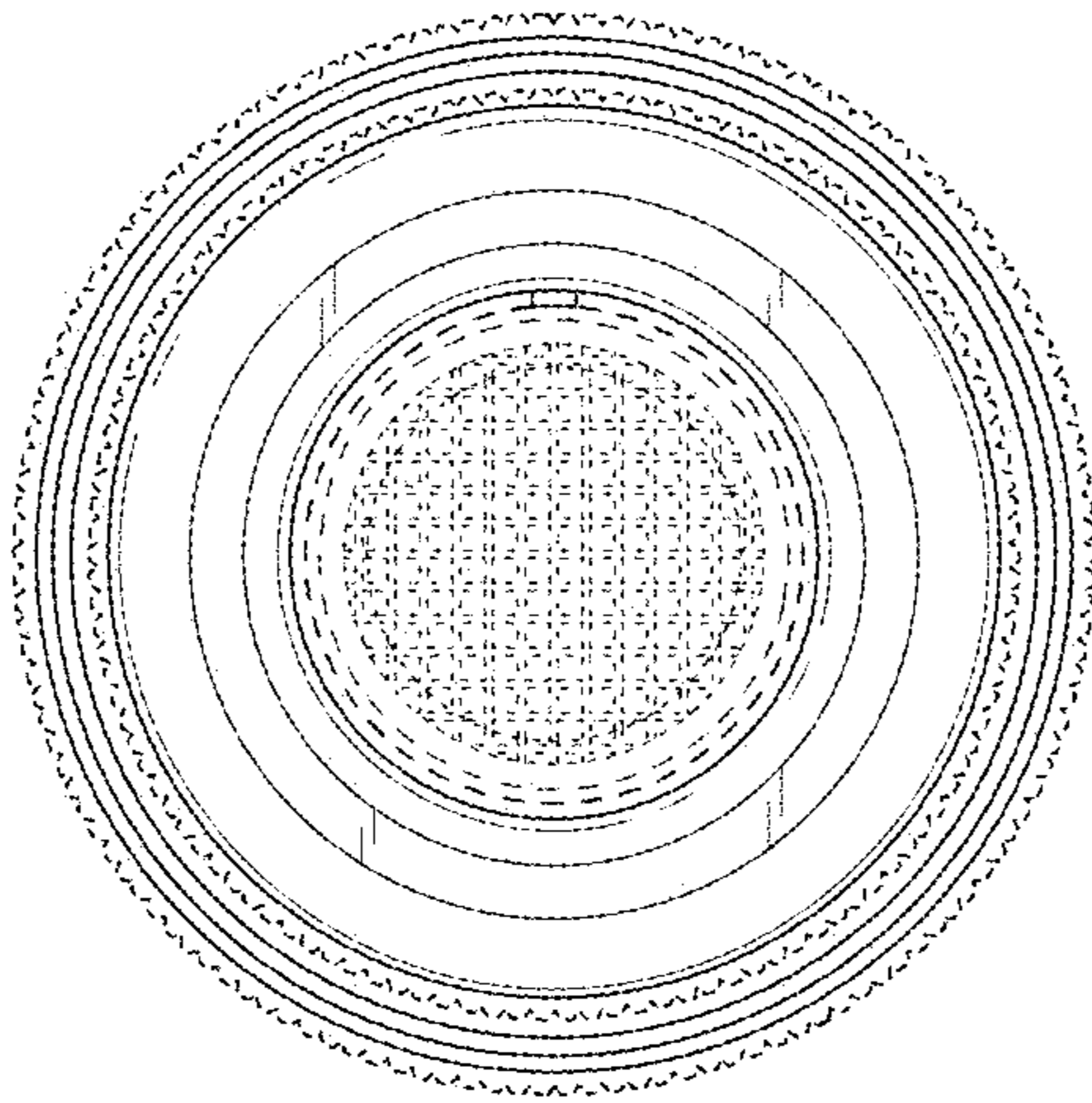


FIG. 8