



US00D974616S

(12) **United States Design Patent**
Wu

(10) **Patent No.:** **US D974,616 S**

(45) **Date of Patent:** **** Jan. 3, 2023**

(54) **HEAD LAMP**

(71) Applicant: **Zhenfeng Wu**, Zhejiang (CN)

(72) Inventor: **Zhenfeng Wu**, Zhejiang (CN)

(**) Term: **15 Years**

(21) Appl. No.: **29/729,217**

(22) Filed: **Mar. 25, 2020**

(51) **LOC (14) Cl.** **26-02**

(52) **U.S. Cl.**
USPC **D26/39**

(58) **Field of Classification Search**

USPC D26/24, 26, 37-51, 60, 113, 119, 120
CPC F21Y 2115/10; F21Y 2101/00; F21Y
2103/10; F21Y 2105/10; F21Y 2105/16;
F21Y 2113/10; F21Y 2113/13; F21Y
2115/00; F21W 2102/13; F21W 2102/18;
F21W 2102/135; F21W 2102/19; F21W
2102/145; F21W 2102/16; F21W
2107/17; F21W 2102/00; F21W 2102/10;
F21W 2102/14; F21W 2102/155; F21W
2102/165; F21W 2102/20; F21W
2103/55; F21W 2103/60; F21V 9/14;
F21V 29/51; F21V 5/04; F21V 9/30;
F21V 14/04; F21V 17/18; F21V 19/04;
F21V 21/06; F21V 21/088; F21V 21/22;
F21V 2200/00; F21V 29/78; F21V 29/85;
F21V 5/00; F21V 5/045; F21V 5/048;
F21V 7/00; F21V 7/22; F21V 9/08; F21V
9/40

See application file for complete search history.

(56) **References Cited**

U.S. PATENT DOCUMENTS

D707,867 S * 6/2014 Kotsis D26/39
D758,630 S * 6/2016 Li D26/39
D788,337 S * 5/2017 Koshiba D26/39
D836,810 S * 12/2018 DeBrunner D26/39

D844,868 S * 4/2019 DeBrunner D26/39
D845,526 S * 4/2019 Windom D26/39
D848,042 S * 5/2019 Feng D26/39
D867,640 S * 11/2019 Windom D26/39
D877,950 S * 3/2020 Yau D26/39
D887,602 S * 6/2020 Kunzendorf D26/39
D919,144 S * 5/2021 Gao D26/39
D919,145 S * 5/2021 Gao D26/39

FOREIGN PATENT DOCUMENTS

CN 201530030624 * 9/2015

OTHER PUBLICATIONS

Klein Tools 56048 Rechargeable Auto-Off LED Headlamp. By Klein Tools. Dated Nov. 2, 2020. Found online [Aug. 18, 2021]. https://www.amazon.com/Klein-Tools-56048-Rechargeable-Adjustable/dp/B08J4H5LCV/ref=sr_1_138?dchild=1&keywords=headlamp&qid=1629321303&sr=8-138 (Year: 2020).*

(Continued)

Primary Examiner — Marissa J Cash
Assistant Examiner — William B Melliar

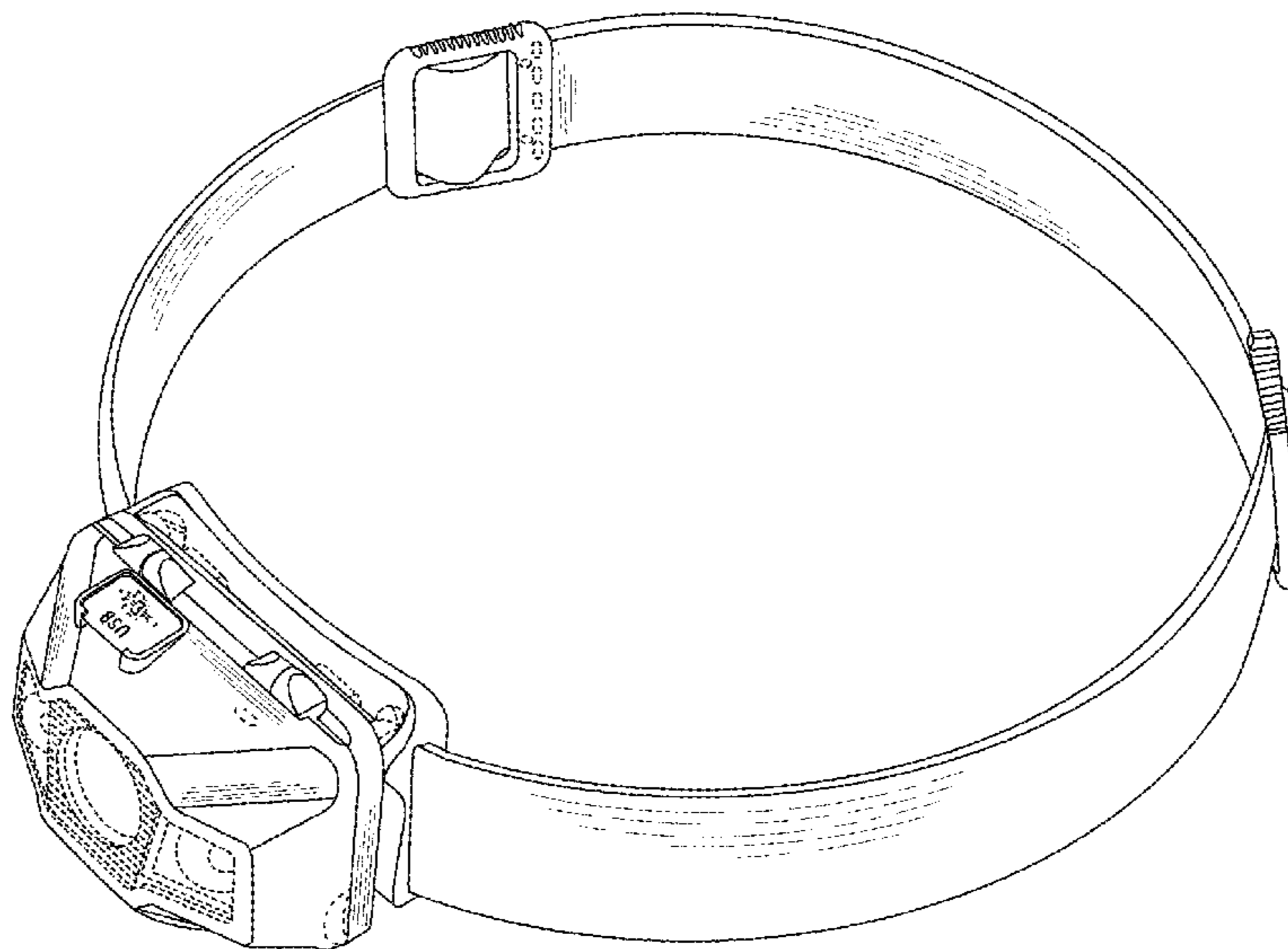
(57) **CLAIM**

The ornamental design for a head lamp, as shown and described.

DESCRIPTION

FIG. 1 is a perspective view of a head lamp showing my new design;
FIG. 2 is a front elevational view thereof;
FIG. 3 is a rear elevational view thereof;
FIG. 4 is a left side elevational view thereof;
FIG. 5 is a right side elevational view thereof;
FIG. 6 is a top plan view thereof; and,
FIG. 7 is a bottom plan view thereof.
The broken lines in the drawings depict portions of the head lamp that form no part of the claimed design.

1 Claim, 7 Drawing Sheets



(56)

References Cited

OTHER PUBLICATIONS

Foxelli USB Rechargeable Headlamp Flashlight. By Foxelli. Dated Mar. 15, 2018. Found online [Aug. 18, 2021]. https://www.amazon.com/Foxelli-2-Pack-Rechargeable-Headlamp-Flashlight/dp/B07YB8SCW1/ref=sr_1_64?dchild=1&keywords=headlamp&qid=1629321111&sr=8-64 (Year: 2018).*

Le LED Headlamp Rechargeable. By Lighting Ever. Dated Jul. 4, 2018. Found online [Aug. 18, 2021]. https://www.amazon.com/Rechargeable-Flashlights-Headlights-Lighting-Comfortable/dp/B07WP393CS/ref=sr_1_32?dchild=1&keywords=headlamp&qid=1629320925&sr=8-32 (Year: 2018).*

* cited by examiner

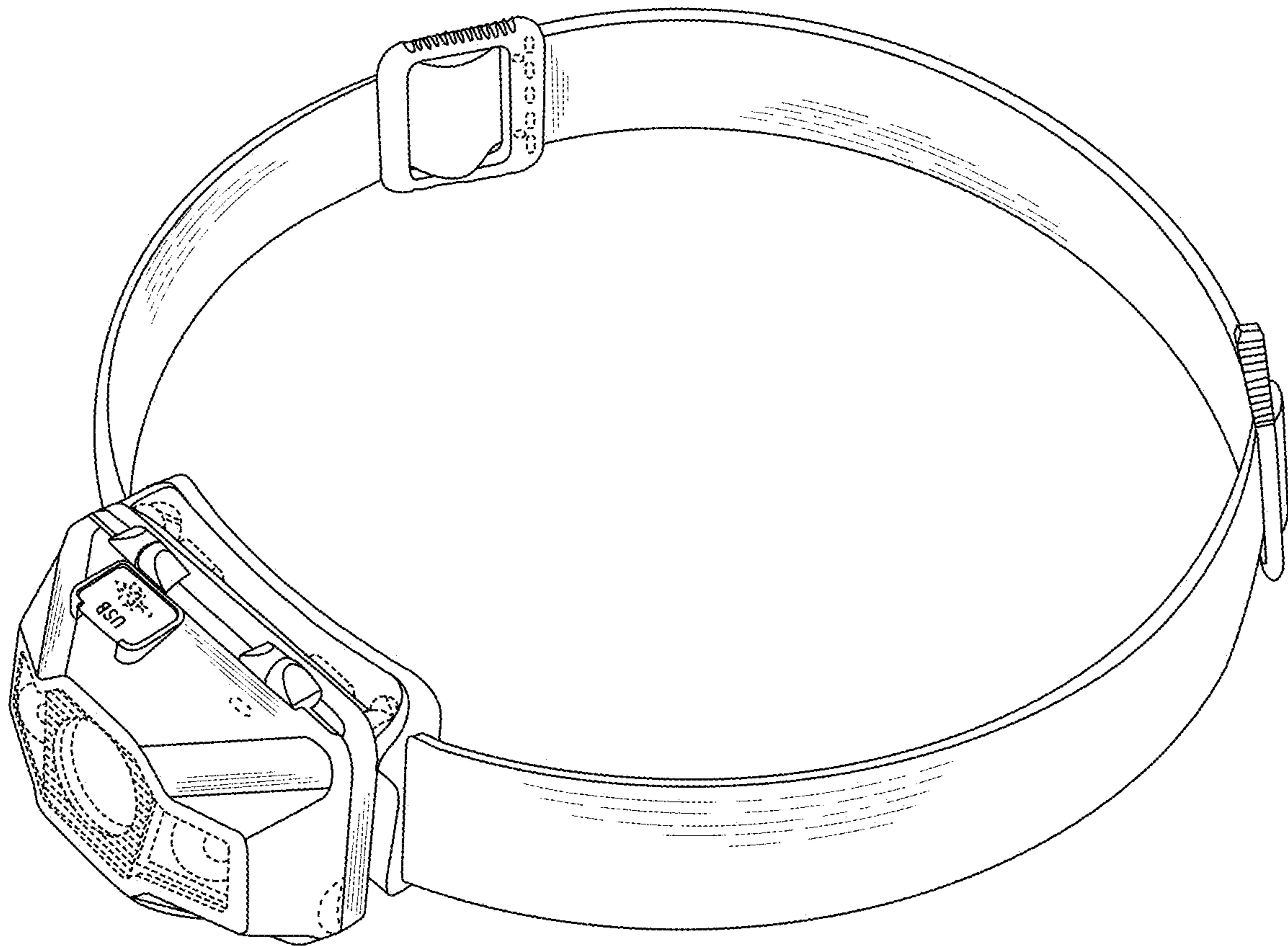


FIG. 1

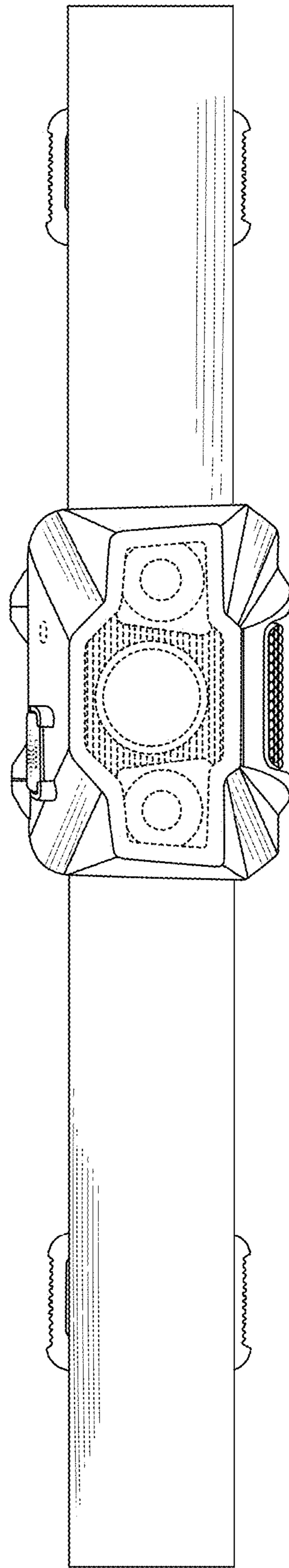


FIG. 2

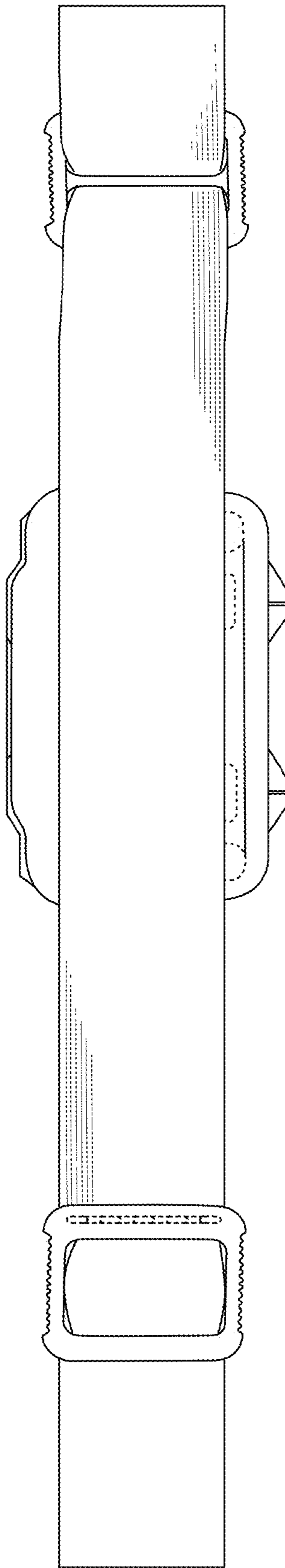


FIG. 3

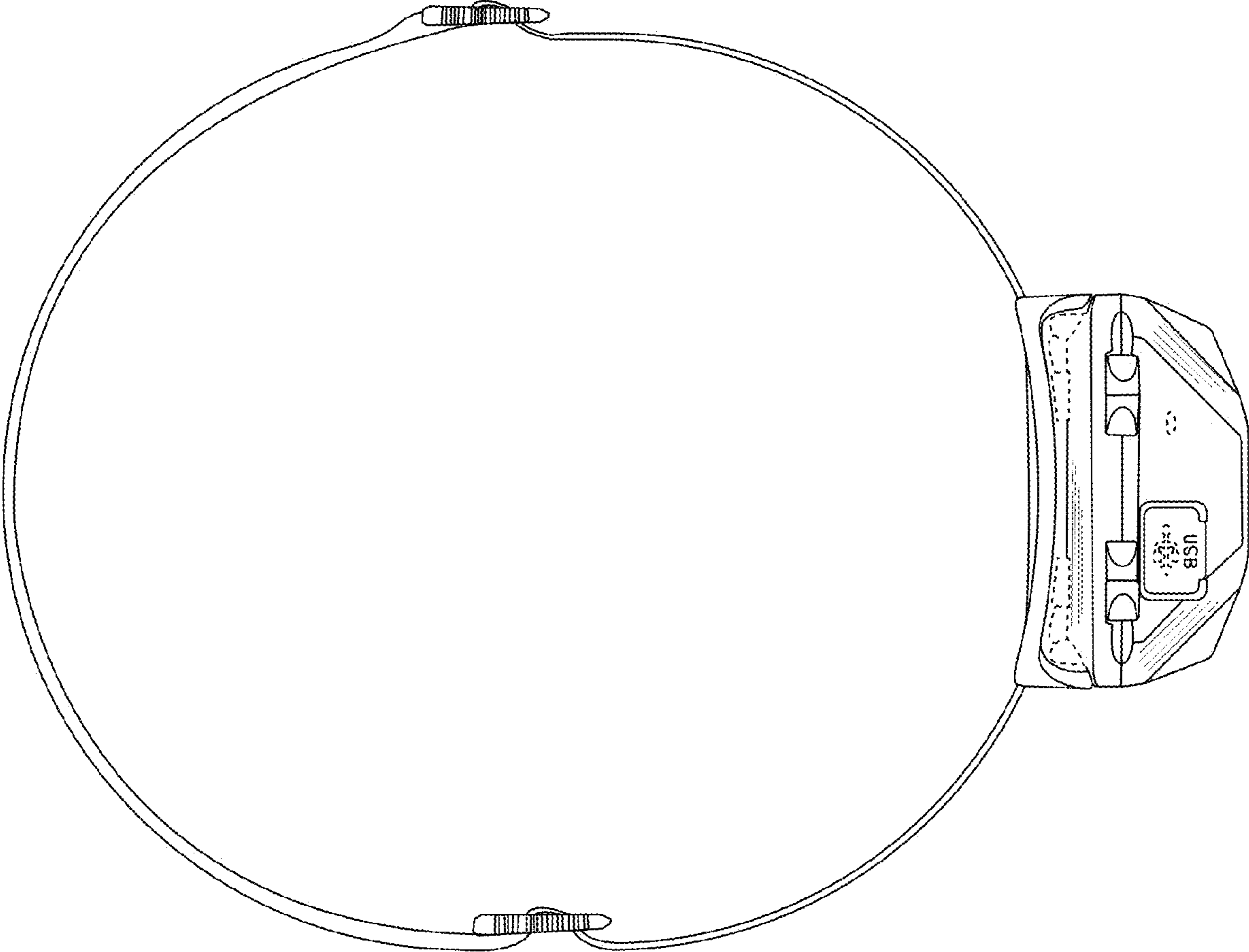


FIG. 4

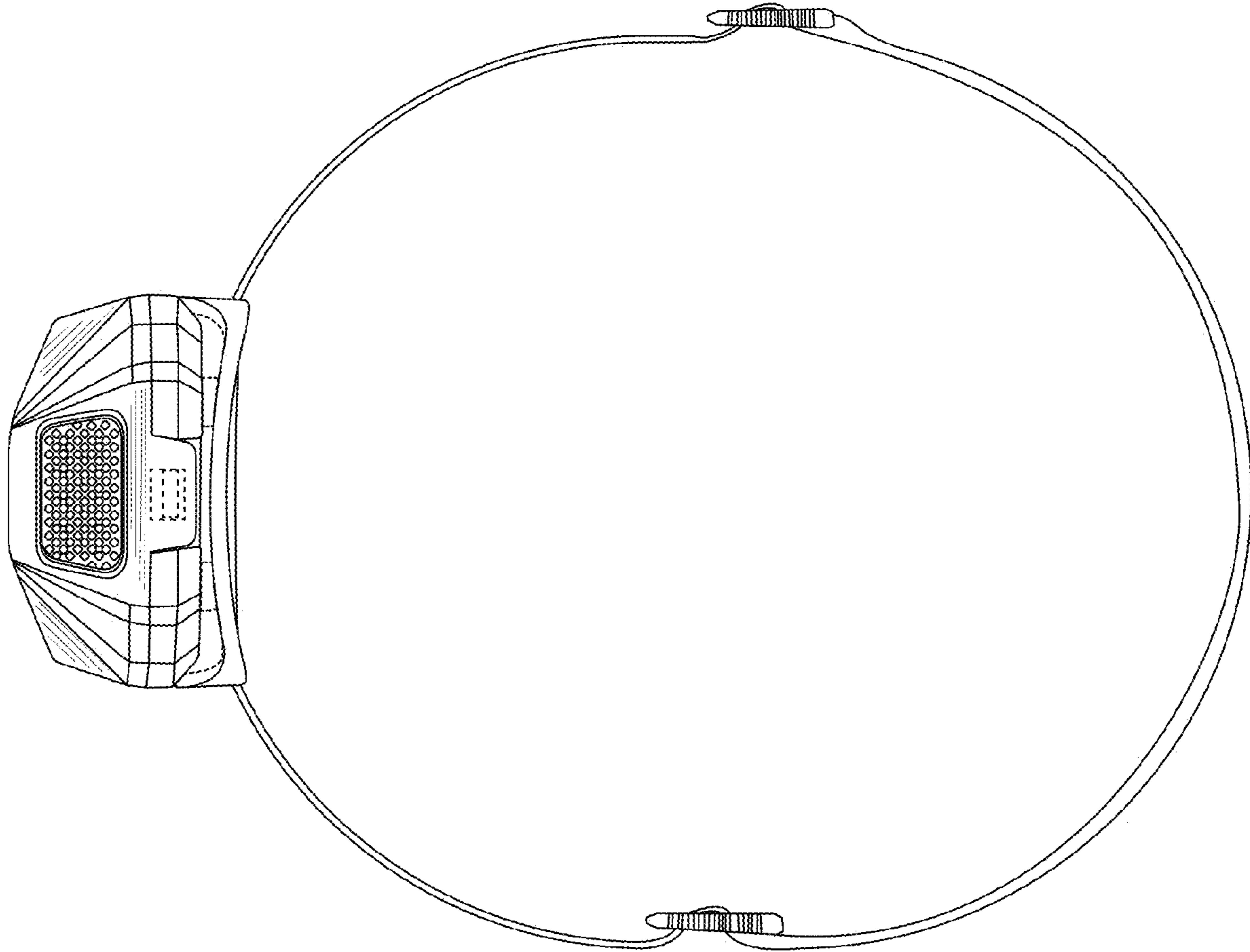


FIG. 5

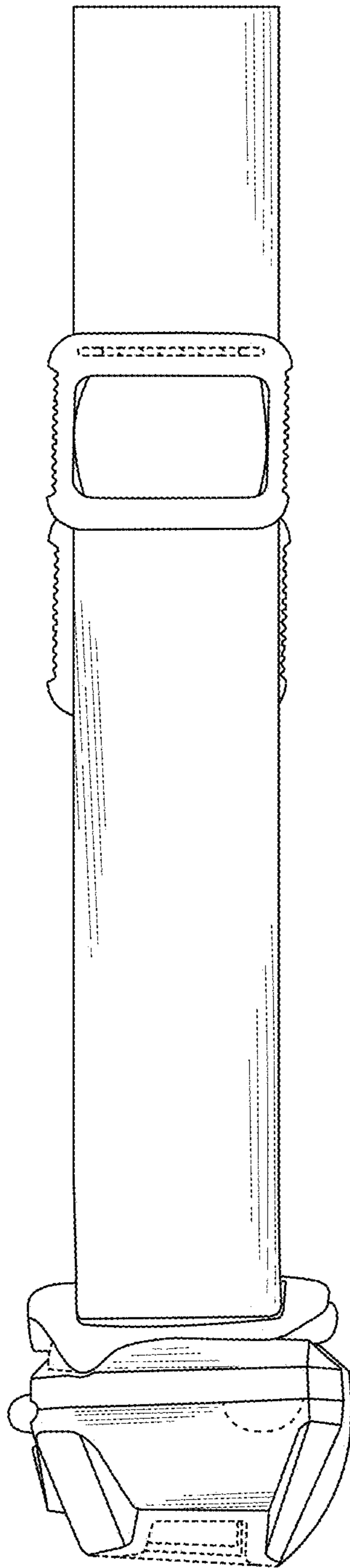


FIG. 6

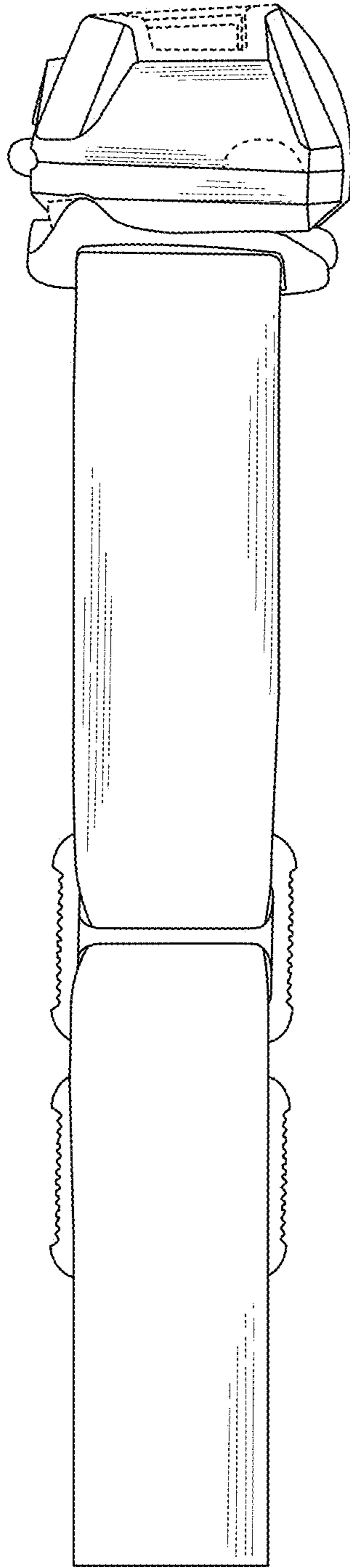


FIG. 7