



US00D974614S

(12) **United States Design Patent**
Liao

(10) **Patent No.:** **US D974,614 S**
(45) **Date of Patent:** **** Jan. 3, 2023**

(54) **LIGHT**

(71) Applicant: **Xuemei Liao**, Nan (CN)

(72) Inventor: **Xuemei Liao**, Nan (CN)

(**) Term: **15 Years**

(21) Appl. No.: **29/789,555**

(22) Filed: **Sep. 29, 2021**

(30) **Foreign Application Priority Data**

Sep. 16, 2021 (CN) 202130616036.3

(51) **LOC (14) Cl.** **26-02**

(52) **U.S. Cl.**

USPC **D26/37; D26/40; D26/41; D26/104**

(58) **Field of Classification Search**

USPC D26/37-44, 46-52, 67, 85, 87, 60, 61,
D26/36, 25, 27, 113, 104; D10/109.1,
D10/111-115

CPC F21L 4/00; F21L 2005/00; F21L 19/00;
F21Y 2107/30; H05B 47/10; H02J
7/0044; F21V 5/006; F21V 21/0824;
F21V 15/02; F21S 9/022; F21W
2131/1005

See application file for complete search history.

(56) **References Cited**

U.S. PATENT DOCUMENTS

230,839 A *	8/1880	Tutt	F21L 19/00 362/159
1,062,504 A *	5/1913	Rice	F23D 11/44 431/206
1,106,631 A *	8/1914	Davis, Jr.	F21V 21/30 362/412
1,451,920 A *	4/1923	Nutt	F21V 21/00 362/376
D211,137 S *	5/1968	Kahn	D10/114.6
D327,135 S *	6/1992	Miller	D26/94
7,121,678 B1 *	10/2006	Shetter	F21S 9/022 362/240

D547,486 S *	7/2007	Donegani	D26/104
D597,191 S *	7/2009	Colombo	D23/366
D697,659 S *	1/2014	Sabernig	D26/87

(Continued)

FOREIGN PATENT DOCUMENTS

CN	303959223	*	12/2016
CN	306754671	*	8/2021

(Continued)

OTHER PUBLICATIONS

“Plug in Wall Lamp,” Dec. 20, 2020, amazon.com, site visited Aug. 18, 2020, URL: https://www.amazon.com/dp/B09ZQNPK7G/ref=sbl_dpx_lighting-wall-lamps_B09GFT4G69_0?th=1 (Year: 2020).*

Primary Examiner — Eric L Goodman

Assistant Examiner — Sarah L Smith

(74) *Attorney, Agent, or Firm* — Rumit Ranjit Kanakia

(57) **CLAIM**

The ornamental design for a light, as shown and described.

DESCRIPTION

FIG. 1 is a first perspective view of a light showing my new design;

FIG. 2 is a second perspective view thereof;

FIG. 3 is a front view thereof;

FIG. 4 is a back view thereof;

FIG. 5 is a left side view thereof;

FIG. 6 is a right side view thereof;

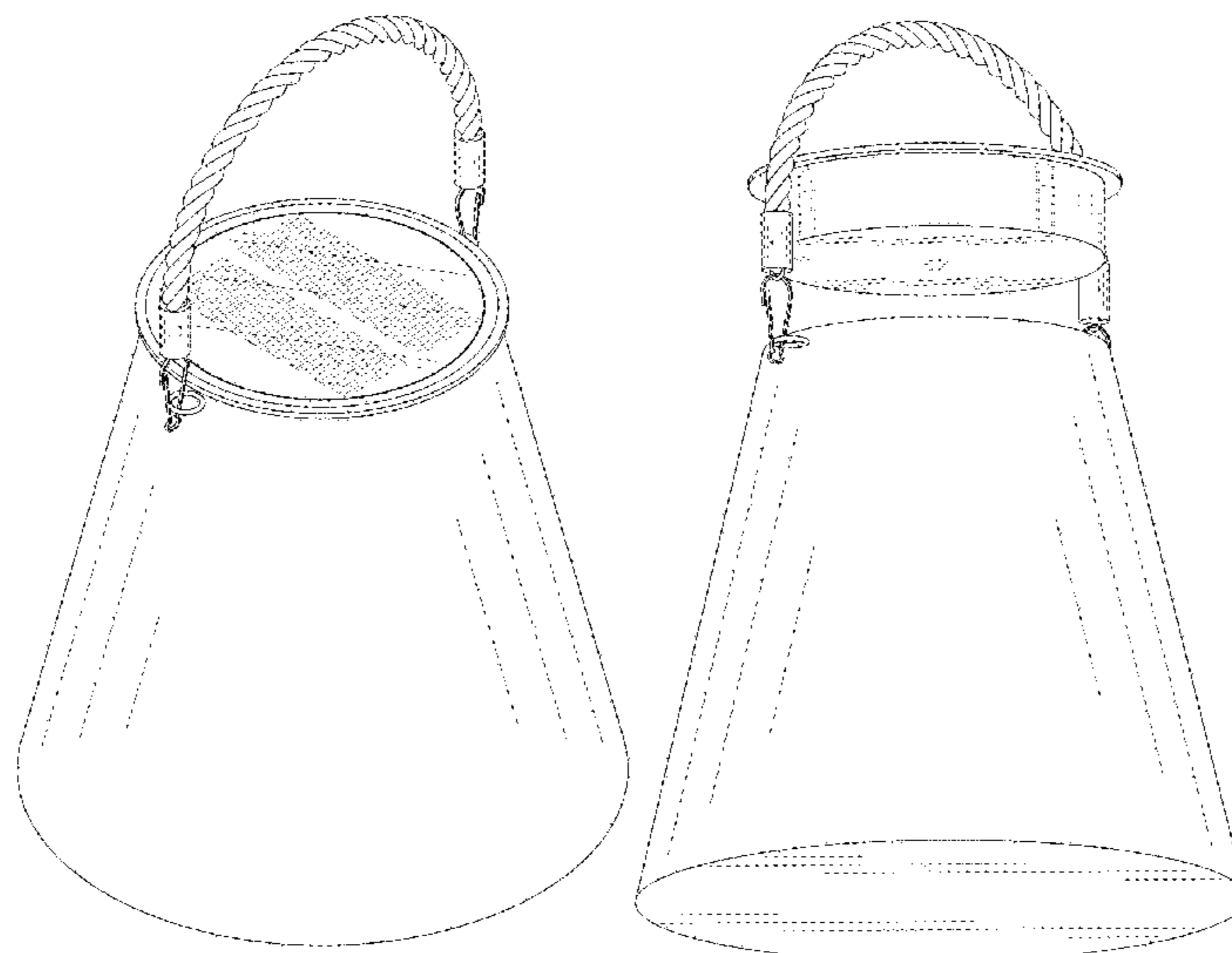
FIG. 7 is a top view thereof;

FIG. 8 is a bottom view thereof; and,

FIG. 9 is a perspective view showing the article in an open state.

The broken lines shown in the drawings depict portions of the light in which the design is embodied that form no part of the claimed design.

1 Claim, 9 Drawing Sheets



(56)

References Cited

U.S. PATENT DOCUMENTS

D704,885	S	*	5/2014	Cannon	D26/106
D758,347	S	*	6/2016	Hinokio	D14/215
D761,993	S	*	7/2016	Kitts	D26/106
D769,223	S	*	10/2016	Hinokio	D14/215
D773,704	S	*	12/2016	Pardo	F21V 21/30 D26/41
D814,084	S		3/2018	James et al.		
D837,441	S	*	1/2019	Odgaard	F21L 19/00 D26/88
D879,357	S		3/2020	Vuorivirta et al.		
D934,476	S	*	10/2021	Shigeno	F23D 11/44 D26/51
D935,661	S	*	11/2021	Hu	F21S 9/022 D26/41
D960,419	S	*	8/2022	Mai	F24B 1/022 D26/41
2016/0245529	A1	*	8/2016	McClean	F24B 1/022

FOREIGN PATENT DOCUMENTS

DE	202013008729	U1	*	12/2013	F21L 19/00
EM	002813865-0001		*	11/2015		
GB	2380541	A	*	4/2003	F21S 6/002
GB	2521680	A	*	7/2015	F21S 6/008
KR	791850	B1	*	1/2008	F21L 19/00
KR	100944168	B1	*	3/2010	F21S 6/008

* cited by examiner

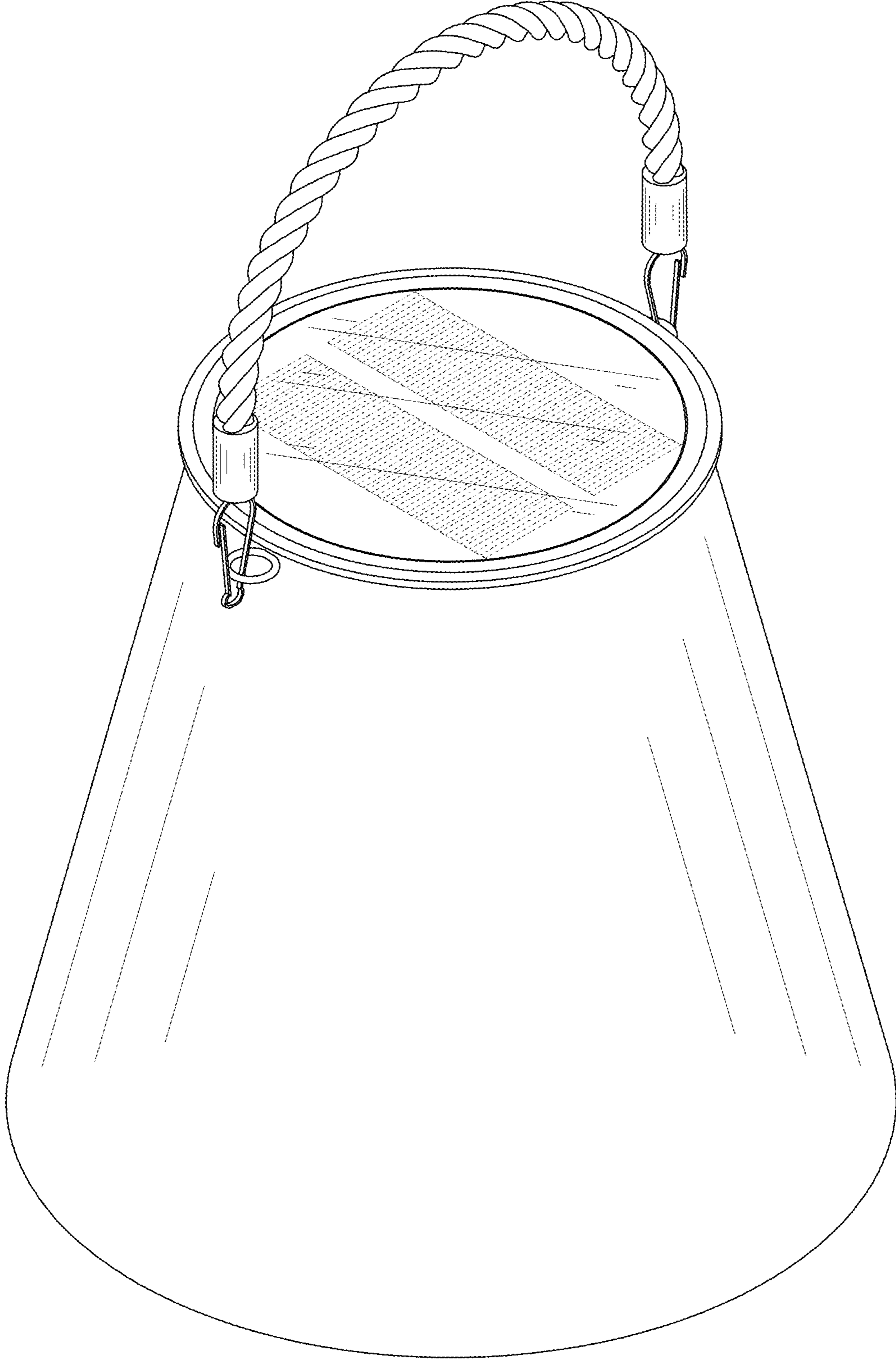


FIG. 1

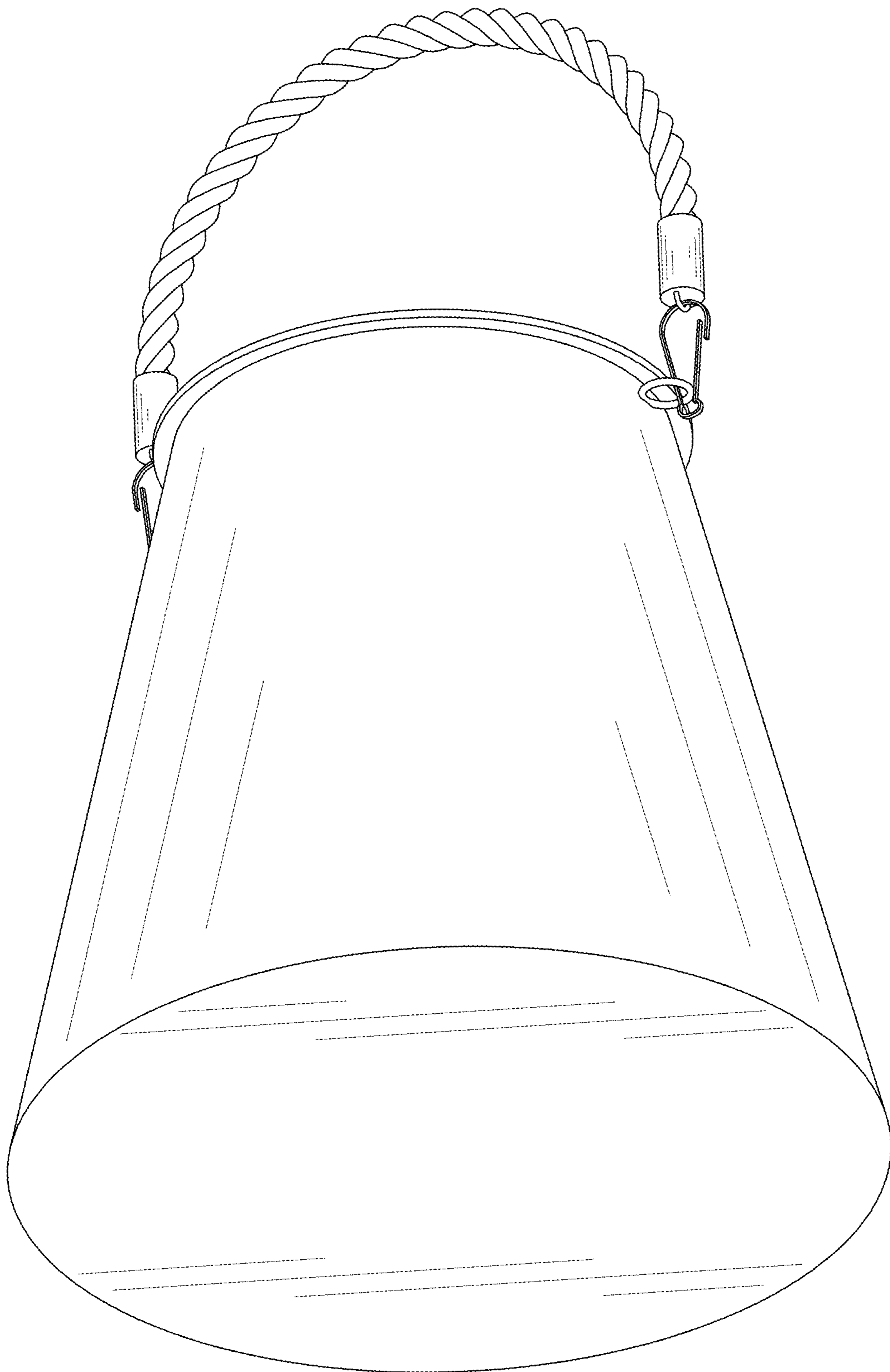


FIG. 2

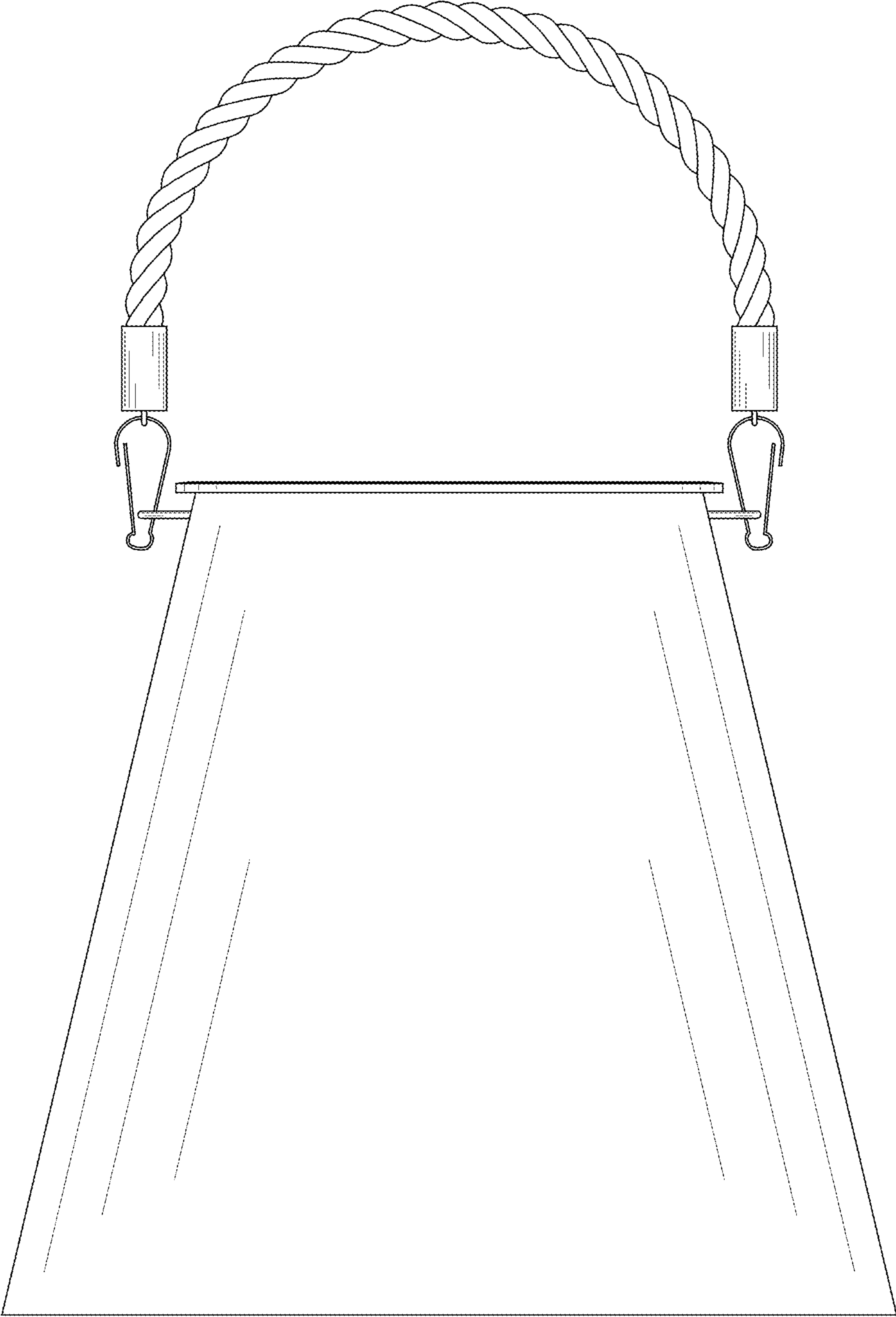


FIG. 3

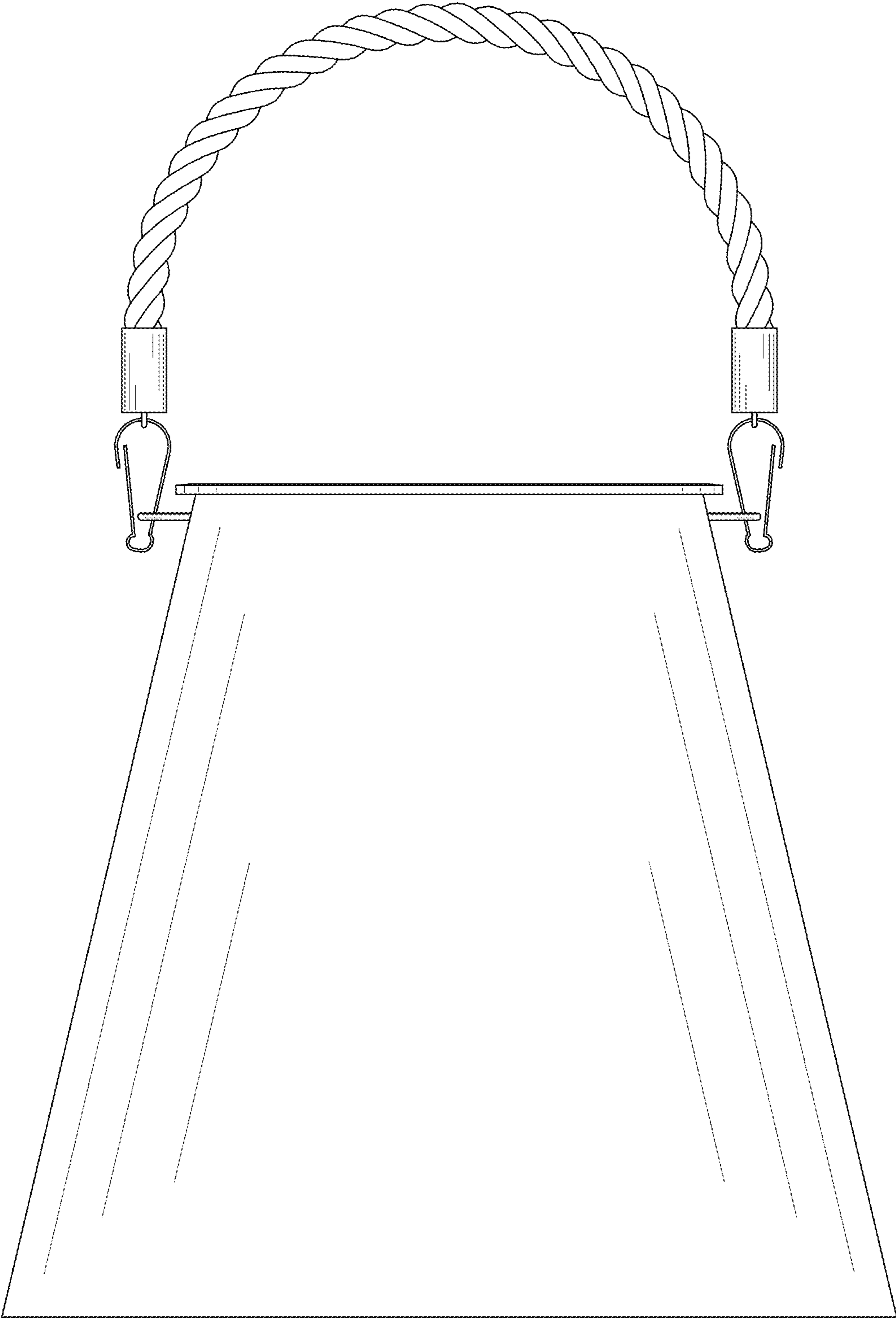


FIG. 4

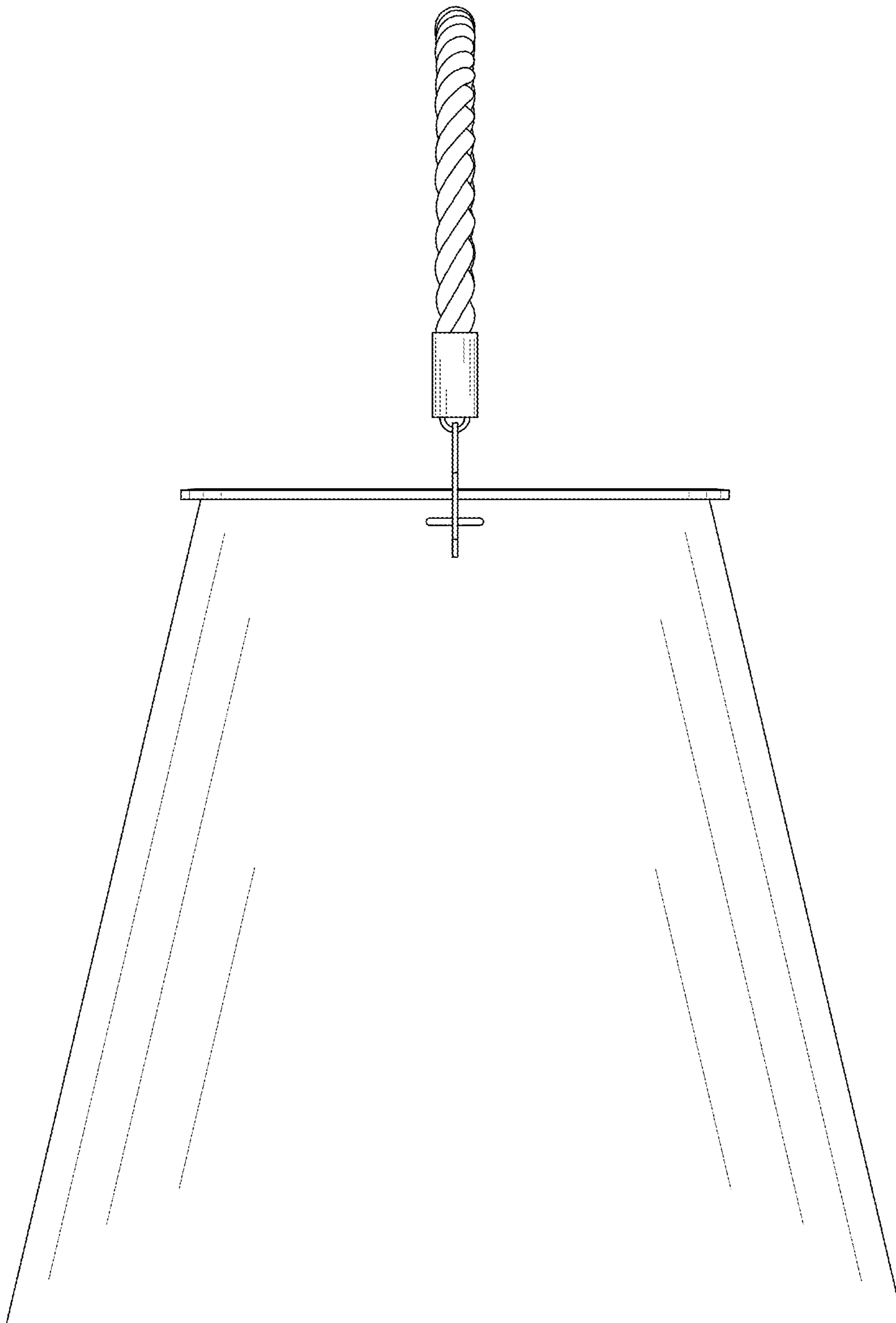


FIG. 5

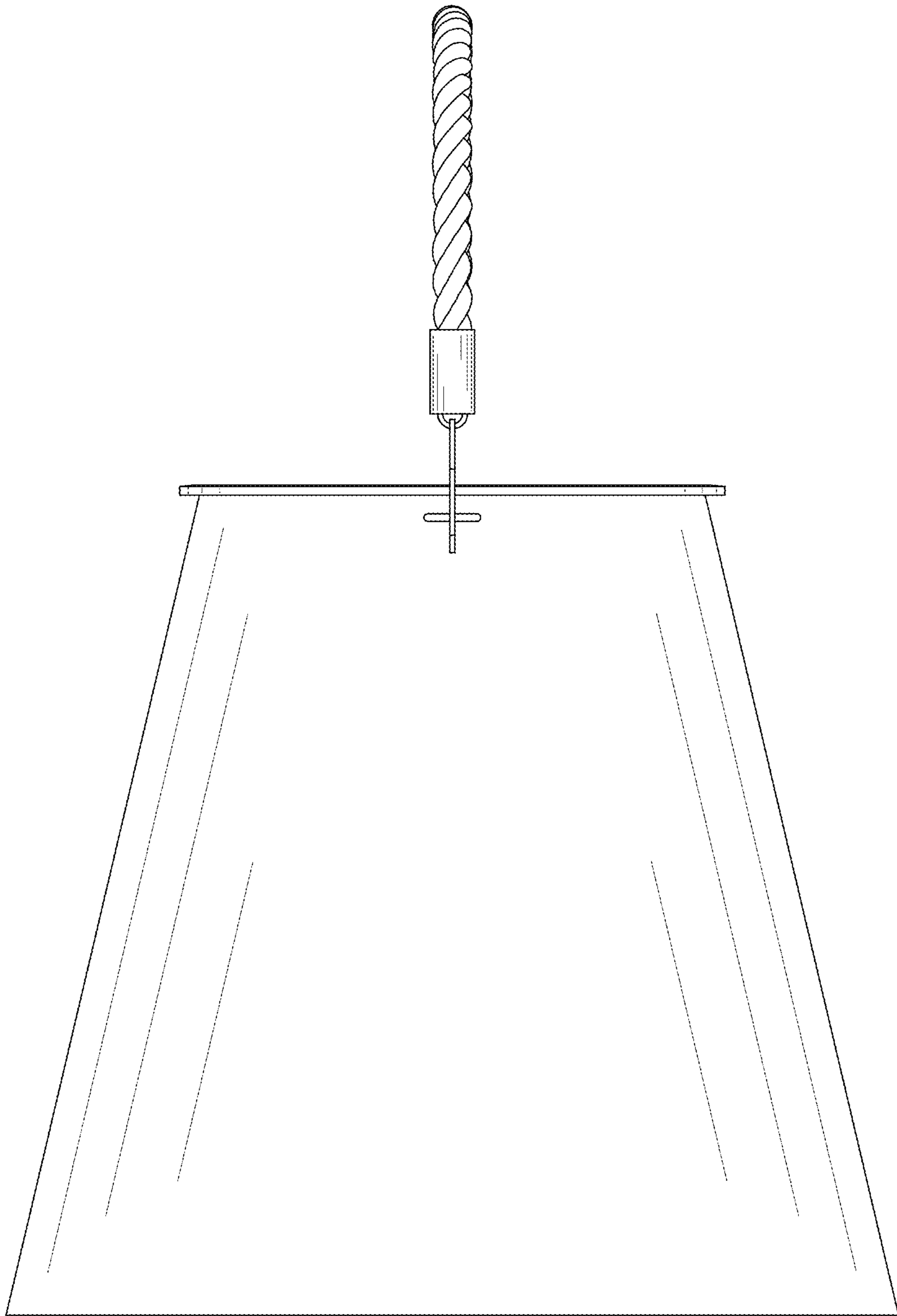


FIG. 6

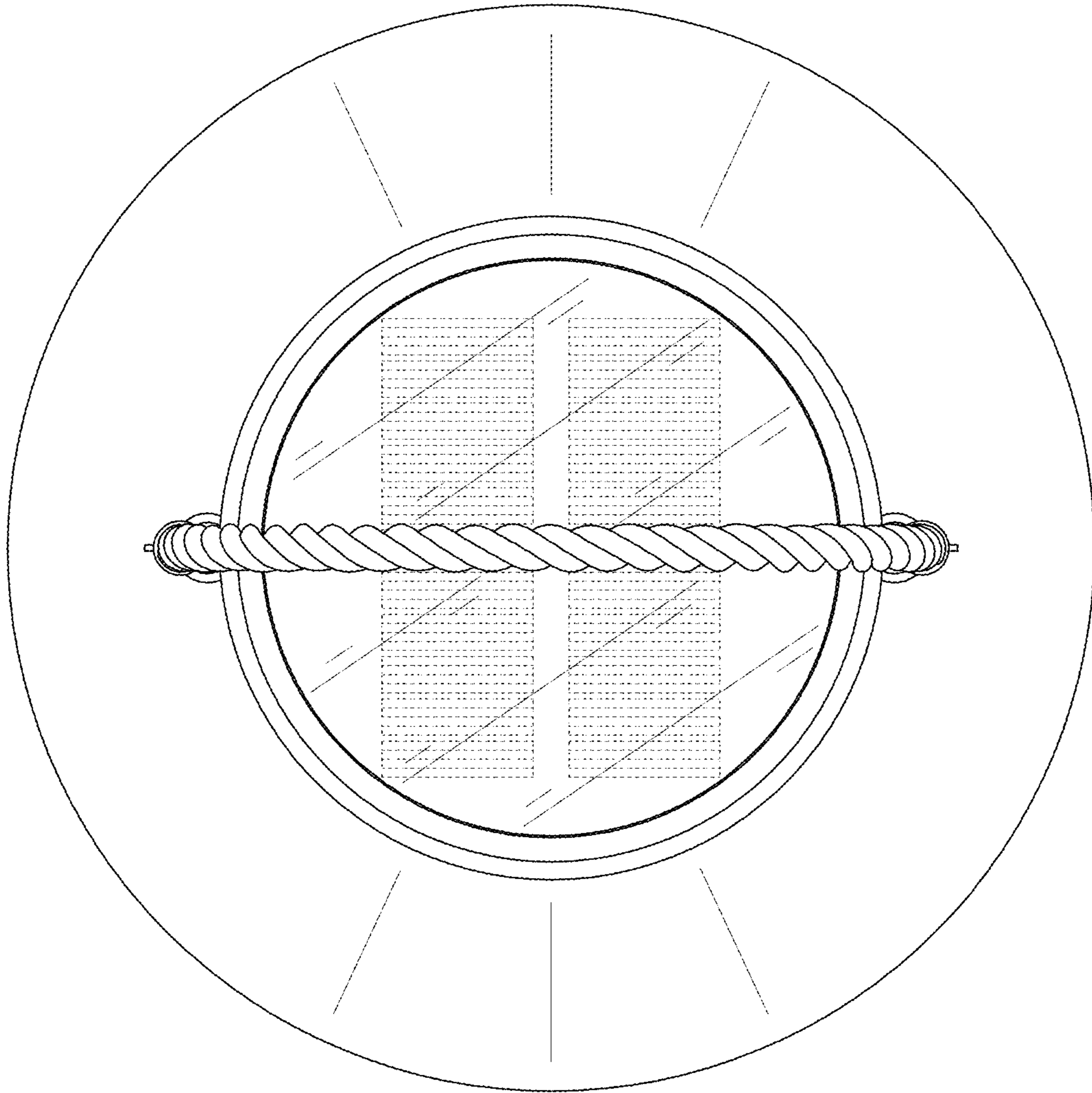


FIG. 7

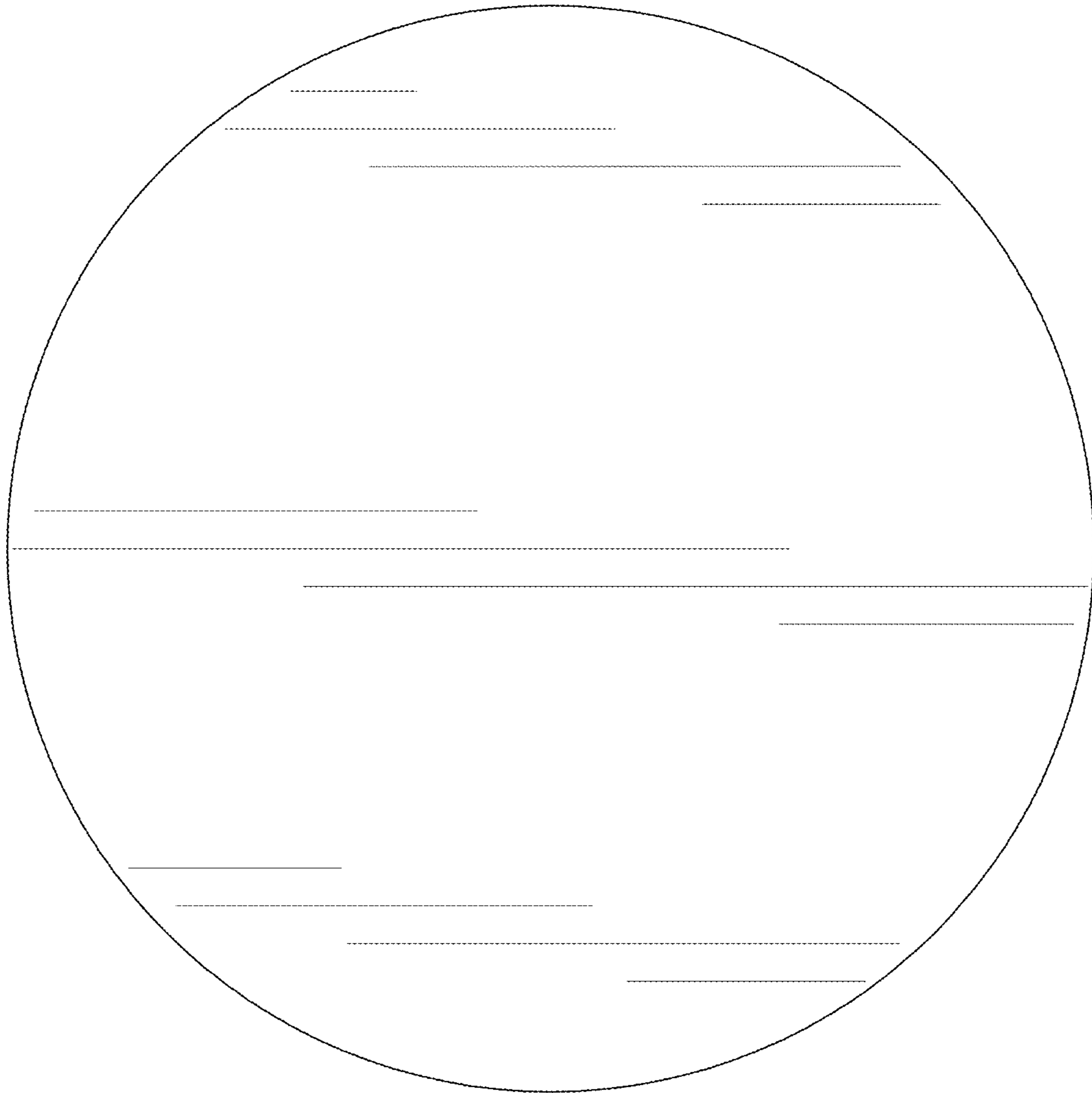


FIG. 8



FIG. 9