



US00D974613S

(12) **United States Design Patent** (10) **Patent No.:** **US D974,613 S**
Kang et al. (45) **Date of Patent:** **** Jan. 3, 2023**

(54) **HEAD LAMP FOR AUTOMOBILE**
(71) Applicants: **HYUNDAI MOTOR COMPANY**,
Seoul (KR); **KIA MOTORS**
CORPORATION, Seoul (KR)
(72) Inventors: **Deuk-Heon Kang**, Hwaseong-si (KR);
Hyo-Sung Lee, Seoul (KR)
(**) Term: **15 Years**
(21) Appl. No.: **35/512,699**
(22) Filed: **May 31, 2021**
(80) **Hague Agreement Data**
Int. Filing Date: **May 31, 2021**
Int. Reg. No.: **DM/216529**
Int. Reg. Date: **May 31, 2021**
Int. Reg. Pub. Date: **Oct. 8, 2021**

(30) **Foreign Application Priority Data**
Jan. 28, 2021 (KR) 3020210004708
(51) **LOC (14) Cl.** **26-06**
(52) **U.S. Cl.**
USPC **D26/28**
(58) **Field of Classification Search**
USPC D26/28, 29, 30, 31, 32, 33, 34, 35, 36
CPC F21W 2103/35; F21W 2103/40; F21W
2102/17; F21W 2102/30; F21W 2103/00;
F21W 2103/55; F21W 2104/00; F21W
2107/17; F21W 2107/13; F21S 41/00;
F21S 41/141; F21S 41/162; F21S 41/18;
F21S 41/20; F21S 41/33; F21S 41/36;
F21S 41/60; F21S 43/00; F21V 21/04
See application file for complete search history.

(56) **References Cited**
U.S. PATENT DOCUMENTS
D701,983 S * 4/2014 Kong D26/28
D704,870 S * 5/2014 Kim D26/28
D705,966 S * 5/2014 Park D26/28
D780,965 S * 3/2017 Binder D26/28
D780,966 S * 3/2017 Binder D26/28
D851,295 S * 6/2019 Whang D26/28
D910,891 S * 2/2021 Tseug D26/28
D917,745 S * 4/2021 Wu D26/28
D917,746 S * 4/2021 Wu D26/28
D919,137 S * 5/2021 Loisch D26/28
D951,501 S * 5/2022 Hirai D26/28
D952,918 S * 5/2022 Jegal D26/28

* cited by examiner
Primary Examiner — Angela J Lee

(57) **CLAIM**
The ornamental design for a head lamp for automobile, as shown and described.

DESCRIPTION
1. Head lamp for automobile
1.1 : Perspective
1.2 : Front
1.3 : Back
1.4 : Left
1.5 : Right
1.6 : Top
1.7 : Bottom
Reproduction 1.1 is a perspective view of a head lamp for an automobile showing our new design; reproduction 1.2 is a front elevation view thereof; reproduction 1.3 is a rear elevation view thereof; reproduction 1.4 is a left side elevation view thereof; reproduction 1.5 is a right side elevation view thereof; reproduction 1.6 is a top plan view thereof; reproduction 1.7 is a bottom plan view thereof.

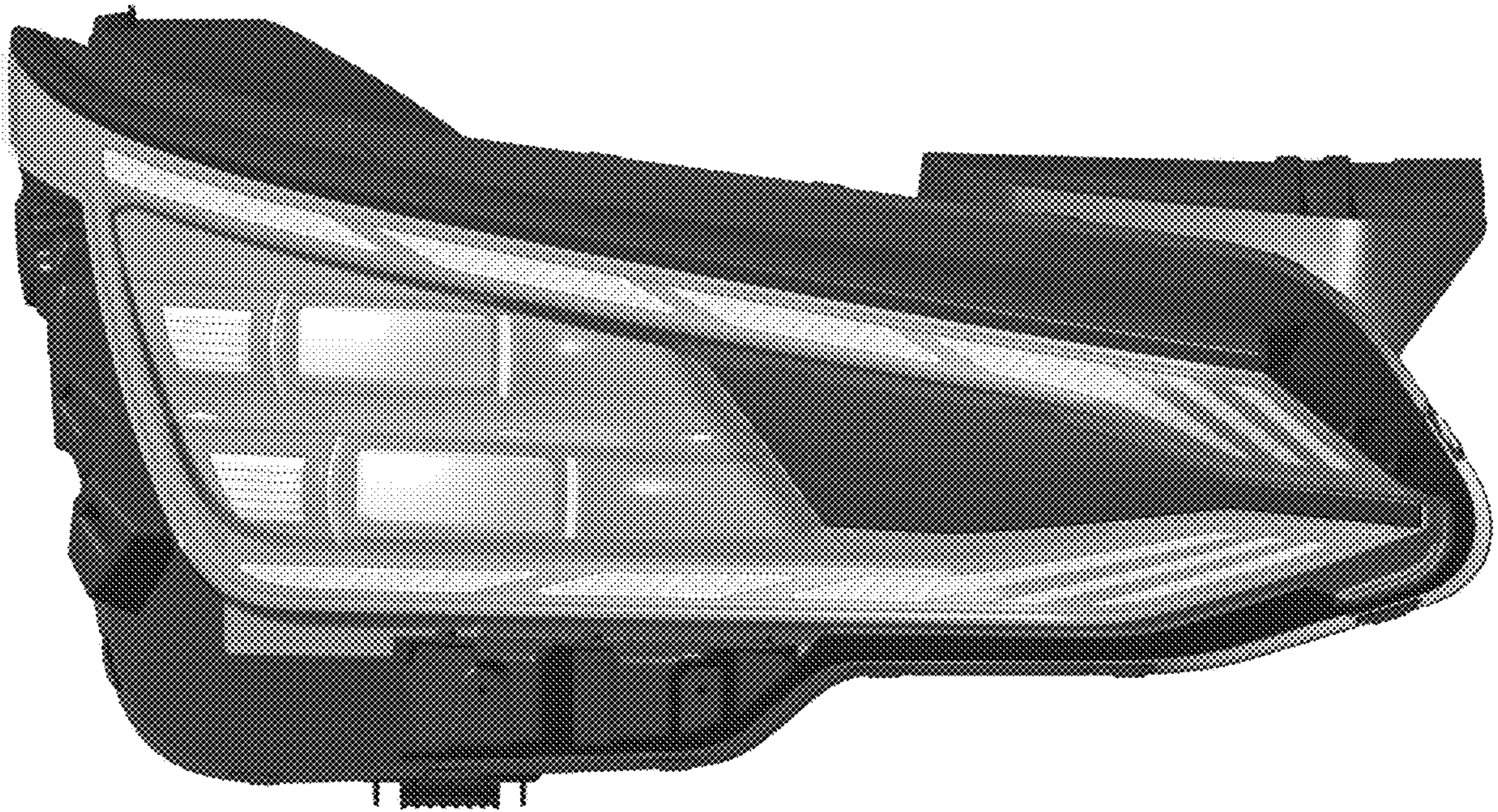
1 Claim, 7 Drawing Sheets



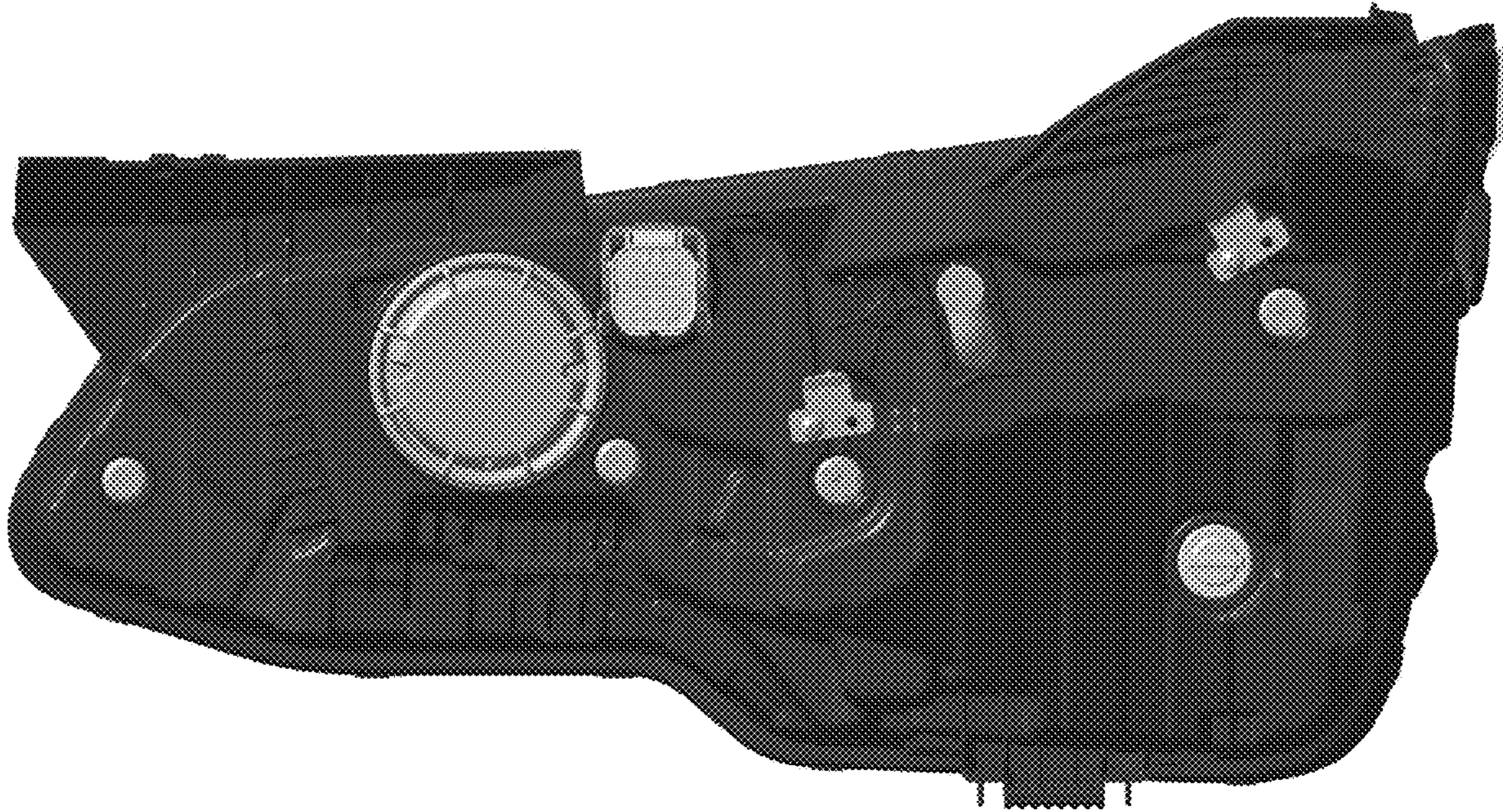
1.1



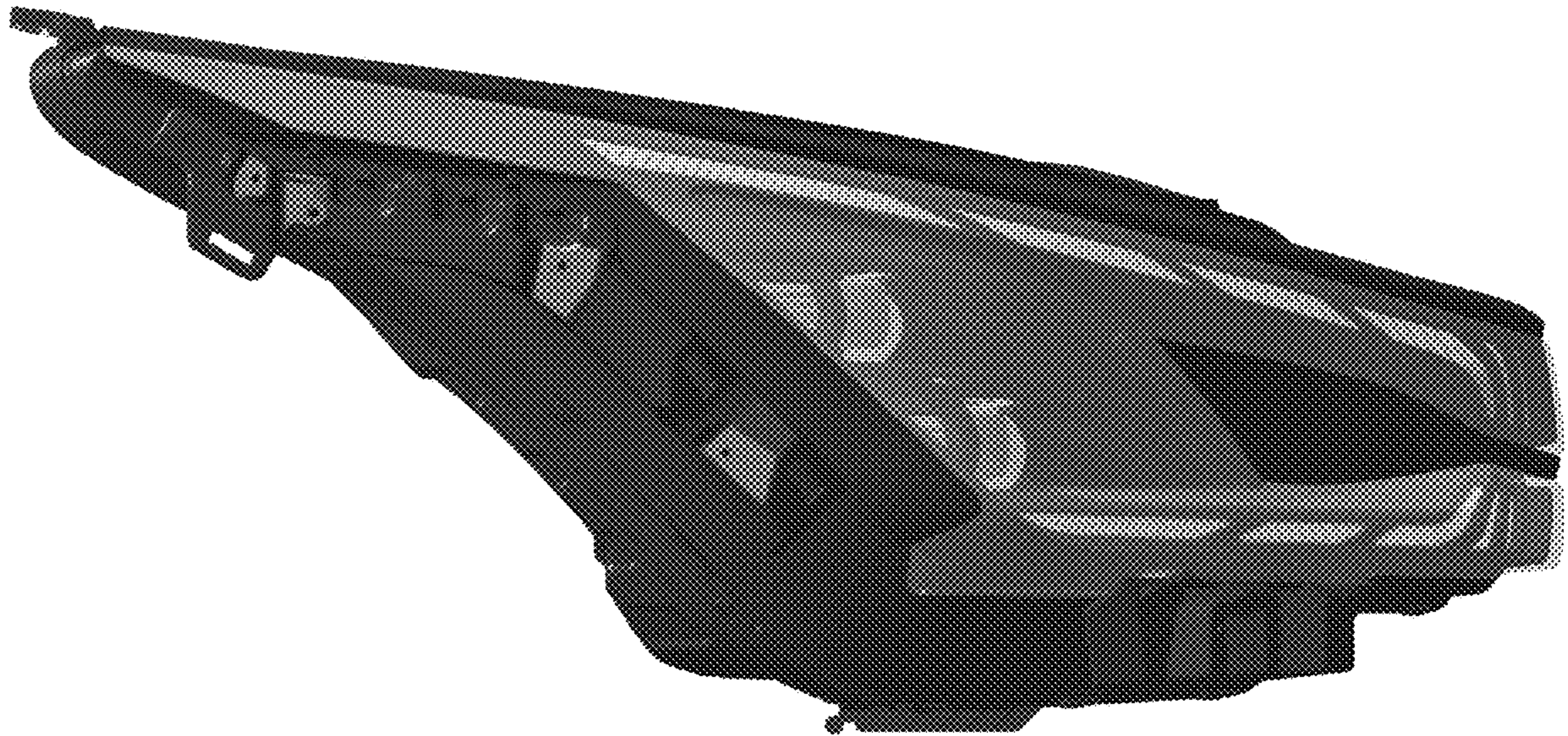
1.2



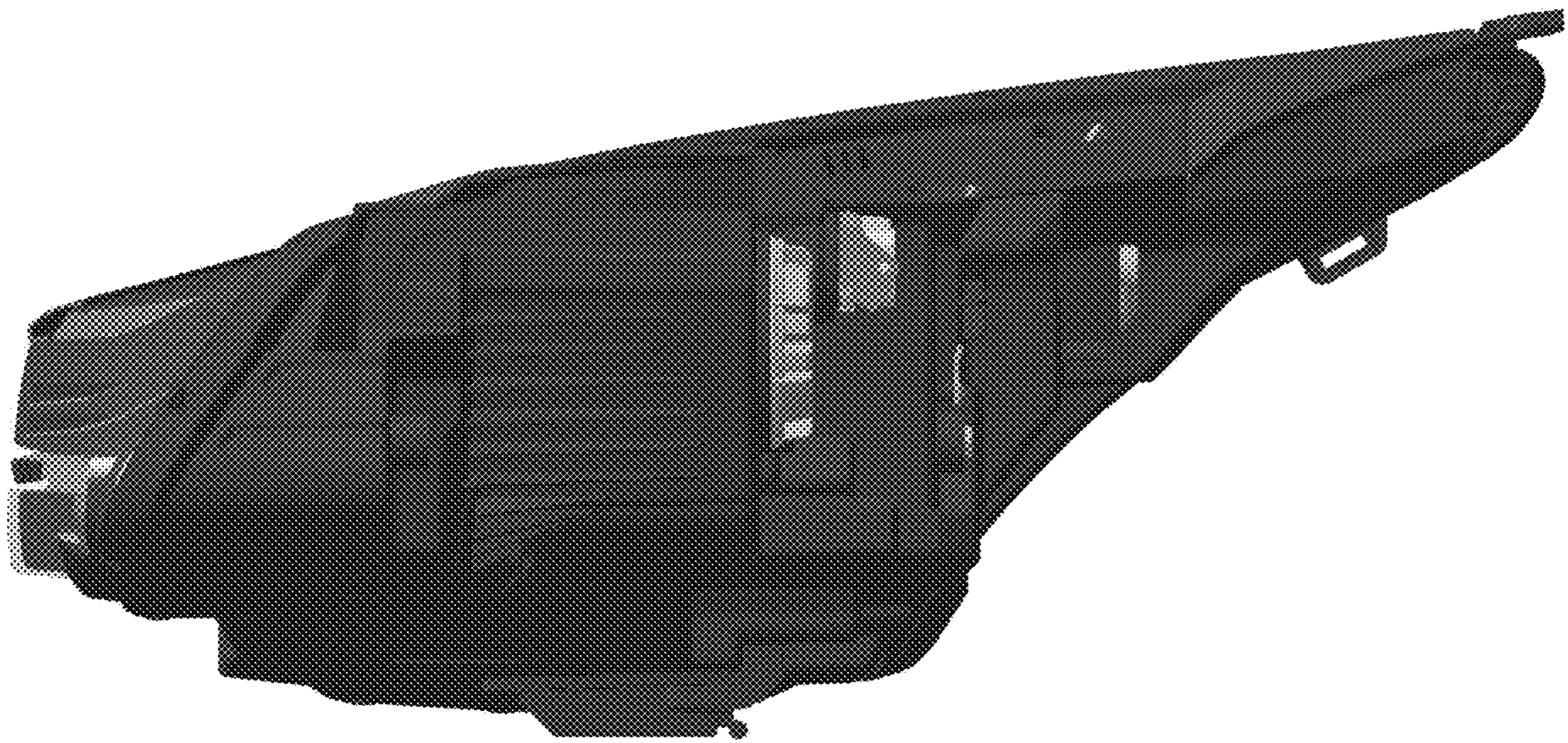
1.3



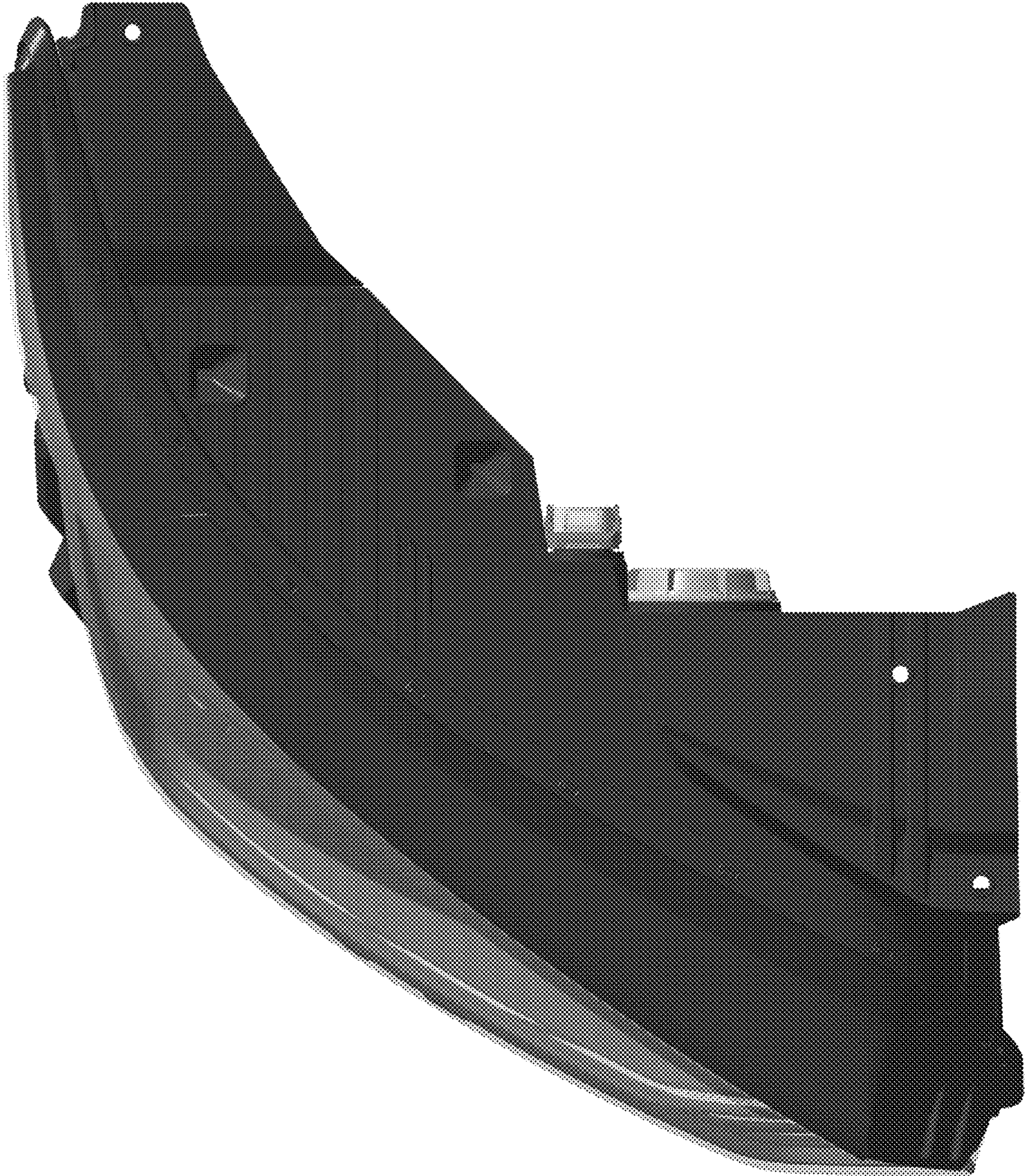
1.4



1.5



1.6



1.7

