



US00D974611S

(12) **United States Design Patent** (10) **Patent No.:** **US D974,611 S**  
**Ryu et al.** (45) **Date of Patent:** **\*\* Jan. 3, 2023**

(54) **REAR COMBINATION LAMP FOR VEHICLES**

(71) Applicants: **HYUNDAI MOTOR COMPANY**, Seoul (KR); **KIA CORPORATION**, Seoul (KR)

(72) Inventors: **Seajae Ryu**, Ulsan (KR); **Byungkyu Park**, Pyeongtaek-si (KR); **Kyungho Kim**, Goyang-si (KR)

(73) Assignees: **Hyundai Motor Company**, Seoul (KR); **Kia Corporation**, Seoul (KR)

(\*\*) Term: **15 Years**

(21) Appl. No.: **35/512,335**

(22) Filed: **Jul. 16, 2021**

(80) **Hague Agreement Data**

Int. Filing Date: **Jul. 16, 2021**  
Int. Reg. No.: **DM/215634**  
Int. Reg. Date: **Jul. 16, 2021**  
Int. Reg. Pub. Date: **Aug. 13, 2021**

(30) **Foreign Application Priority Data**

Mar. 29, 2021 (KR) ..... 30-2021-0015038

(51) **LOC (14) Cl.** ..... **26-06**

(52) **U.S. Cl.**  
USPC ..... **D26/28**

(58) **Field of Classification Search**

USPC ..... D26/28, 29, 30, 31, 32, 33, 34, 35, 36  
CPC ..... F21W 2103/35; F21W 2103/40; F21W 2102/17; F21W 2102/30; F21W 2103/00; F21W 2103/55; F21W 2104/00; F21W 2107/17; F21W 2107/13; F21S 41/00; F21S 41/141; F21S 41/162; F21S 41/18; F21S 41/20; F21S 41/33; F21S 41/36; F21S 41/60; F21S 43/00; F21V 21/04

See application file for complete search history.

(56) **References Cited**

U.S. PATENT DOCUMENTS

D561,357 S *	2/2008	Leclercq .....	D26/28
D819,243 S *	5/2018	Nakagawa .....	D26/28
D866,821 S *	11/2019	Hannemann .....	D26/28
D869,020 S *	12/2019	Allmendinger .....	D26/28
D884,937 S *	5/2020	Zhai .....	D26/28
D919,858 S *	5/2021	Park .....	D26/28
D922,632 S *	6/2021	Lee .....	D26/28
D922,633 S *	6/2021	Jin .....	D26/28

(Continued)

*Primary Examiner* — Angela J Lee

(74) *Attorney, Agent, or Firm* — Fox Rothschild LLP

(57) **CLAIM**

The ornamental design for a rear combination lamp for vehicles, as shown and described.

**DESCRIPTION**

1. Rear combination lamp for vehicles

1.1 : Perspective

1.2 : Front

1.3 : Back

1.4 : Right

1.5 : Left

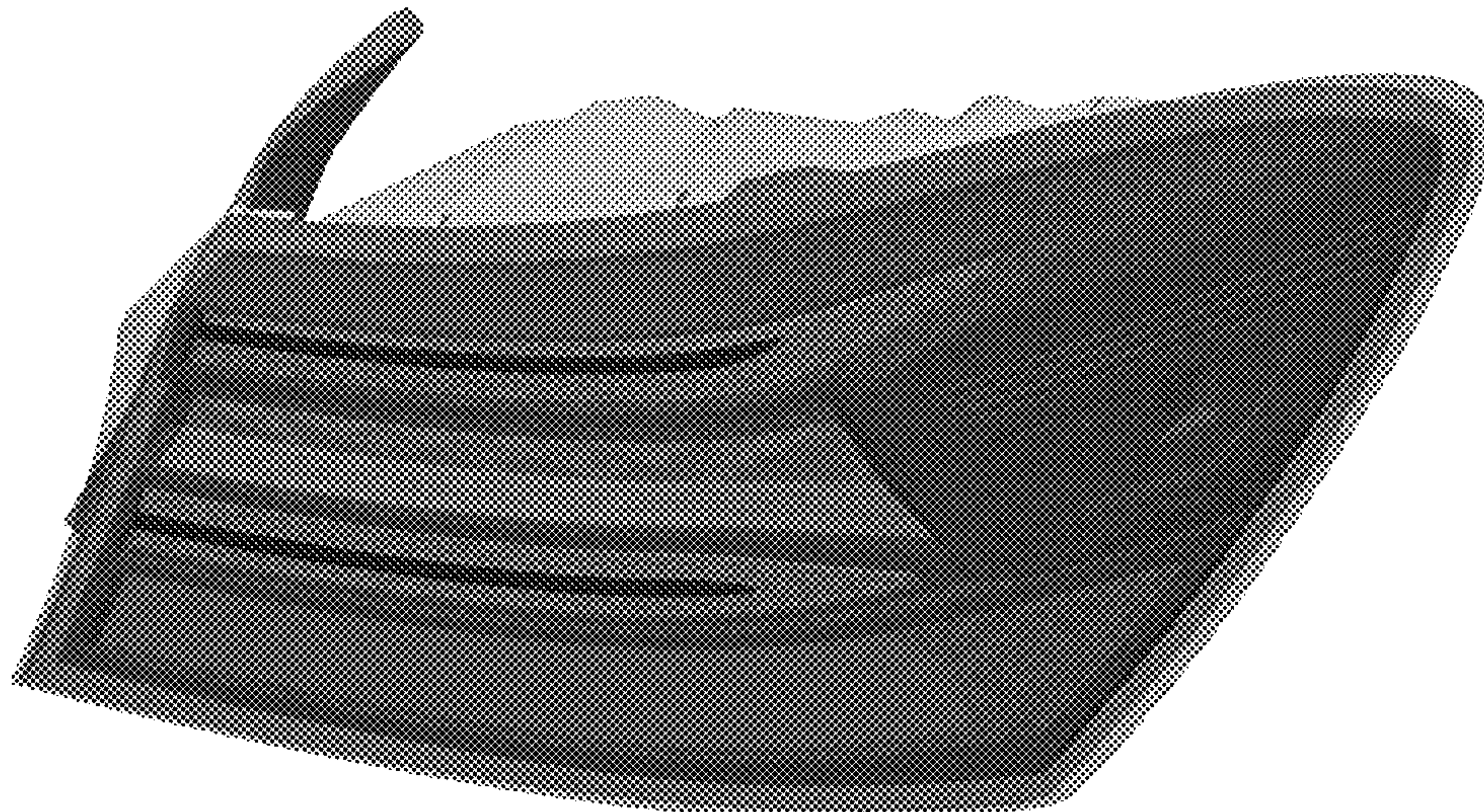
1.6 : Top

1.7 : Bottom

1.8 : Perspective

1.1 is a top, front, and left side perspective view of a rear combination lamp for vehicles embodying our new design; 1.2 is a front elevation view thereof; 1.3 is a rear elevation view thereof; 1.4 is a right side elevation view thereof; 1.5 is a left side elevation view thereof; 1.6 is a top plan view thereof; 1.7 is a bottom plan view thereof; and 1.8 is a top, rear, and right side perspective view thereof; this article is installed on a rear side of vehicles, and it is a combination of two lamps: a lamp that is turned on when the break is applied and a lamp that works as a turn signal.

**1 Claim, 8 Drawing Sheets**



(56)

**References Cited**

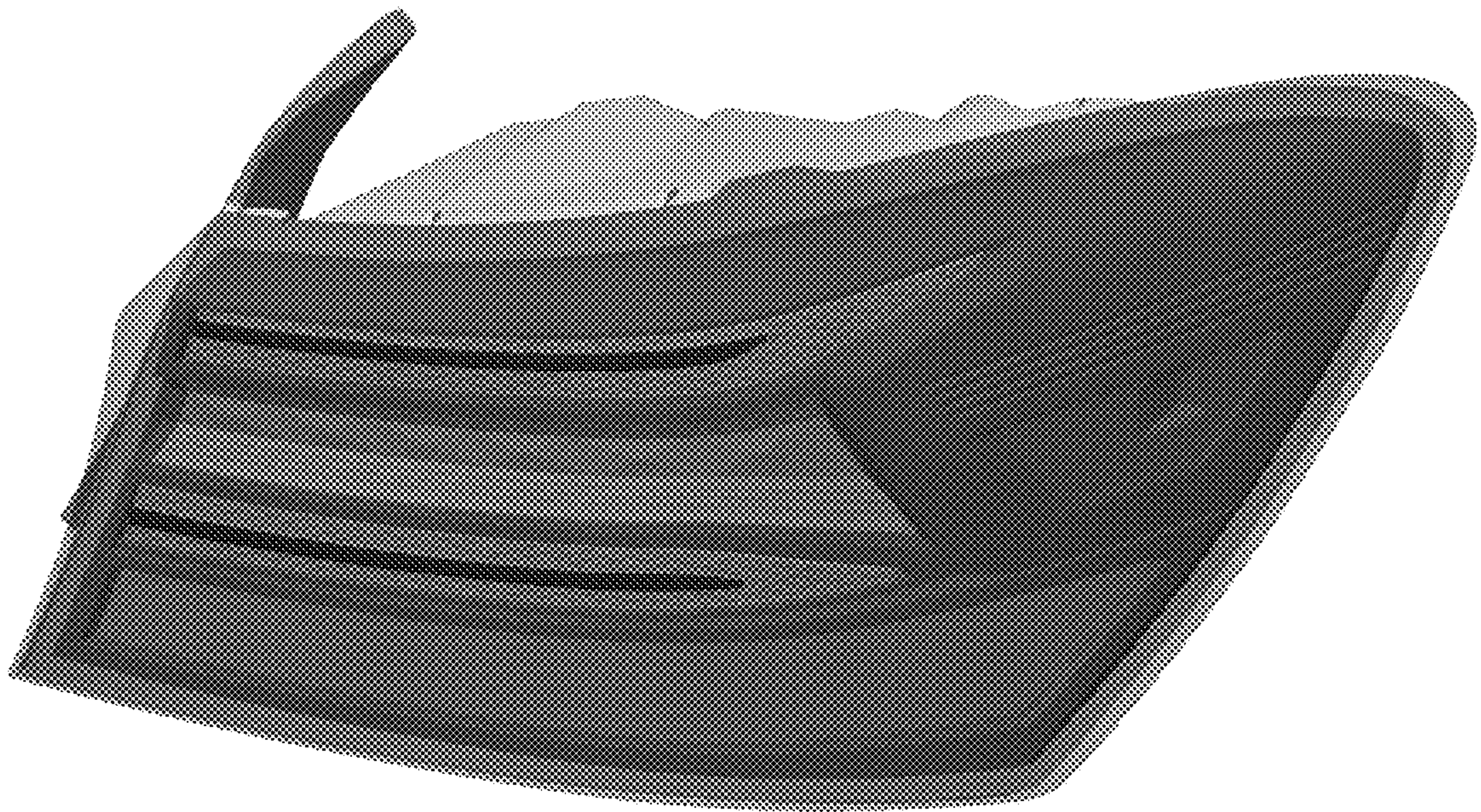
U.S. PATENT DOCUMENTS

D923,217 S \* 6/2021 Lee ..... F21S 43/00  
D26/28  
D934,466 S \* 10/2021 Allmendinger ..... D26/28  
D942,056 S \* 1/2022 Allmendinger ..... D26/28

\* cited by examiner

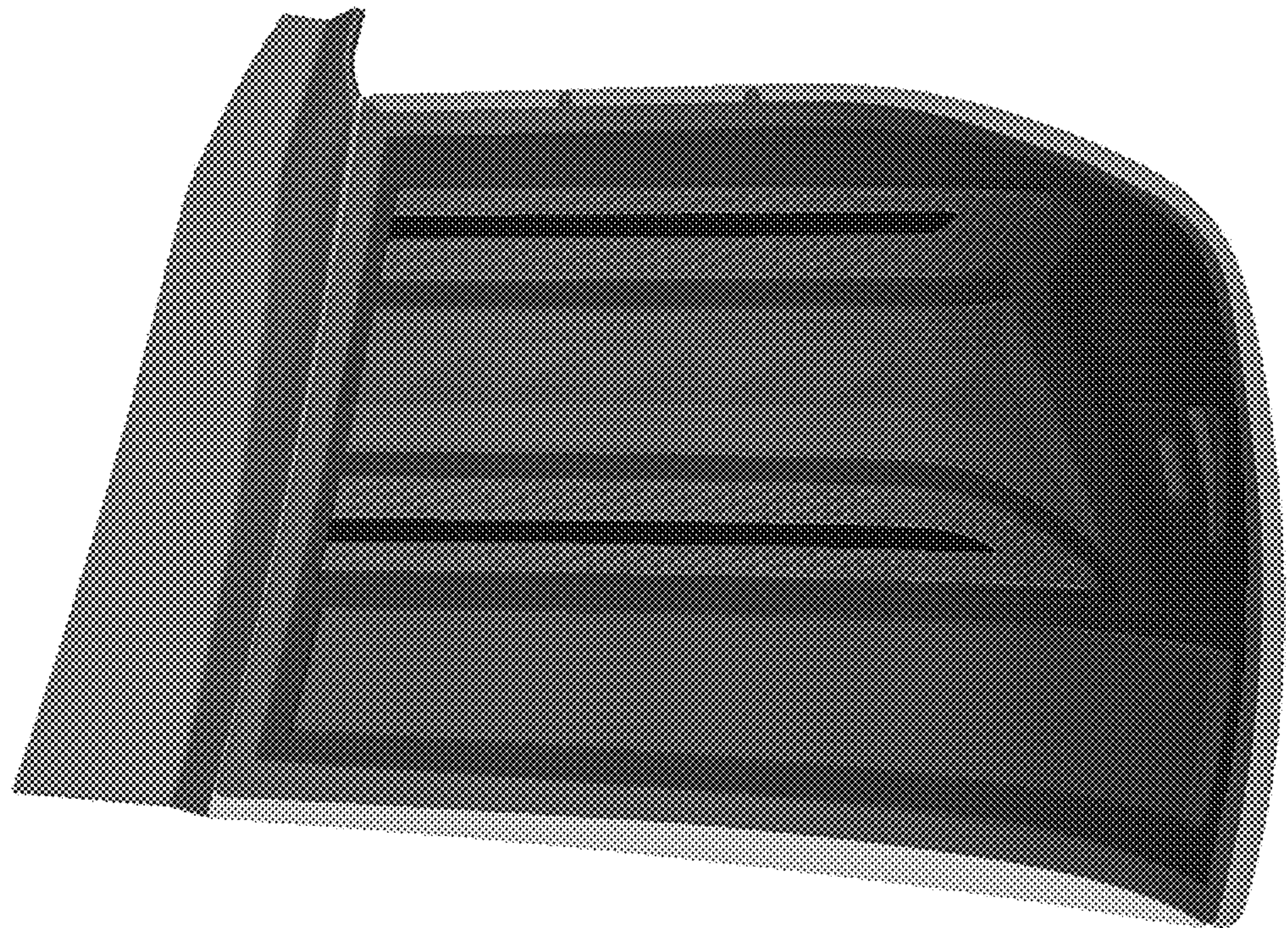


1.1



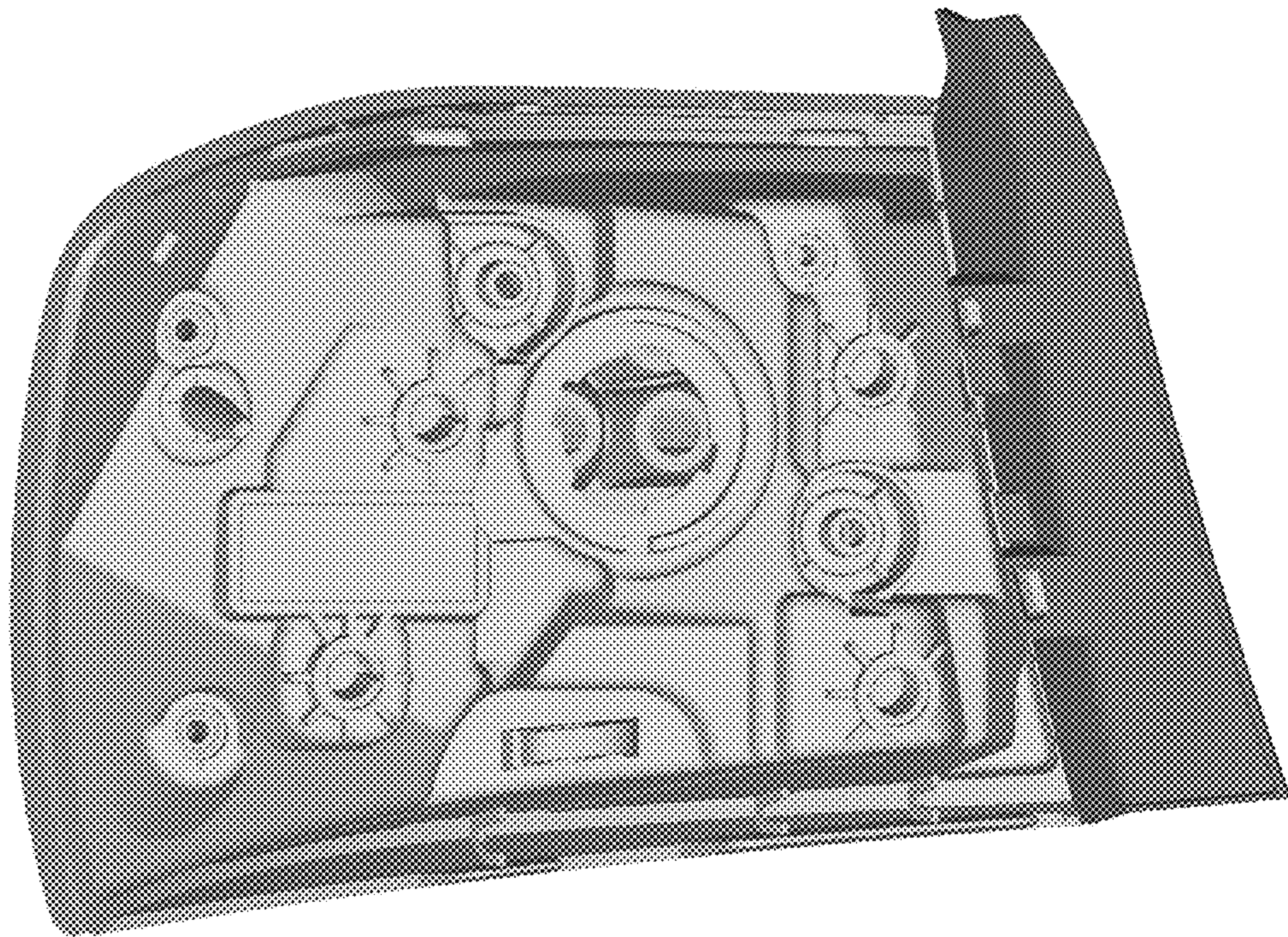


1.2



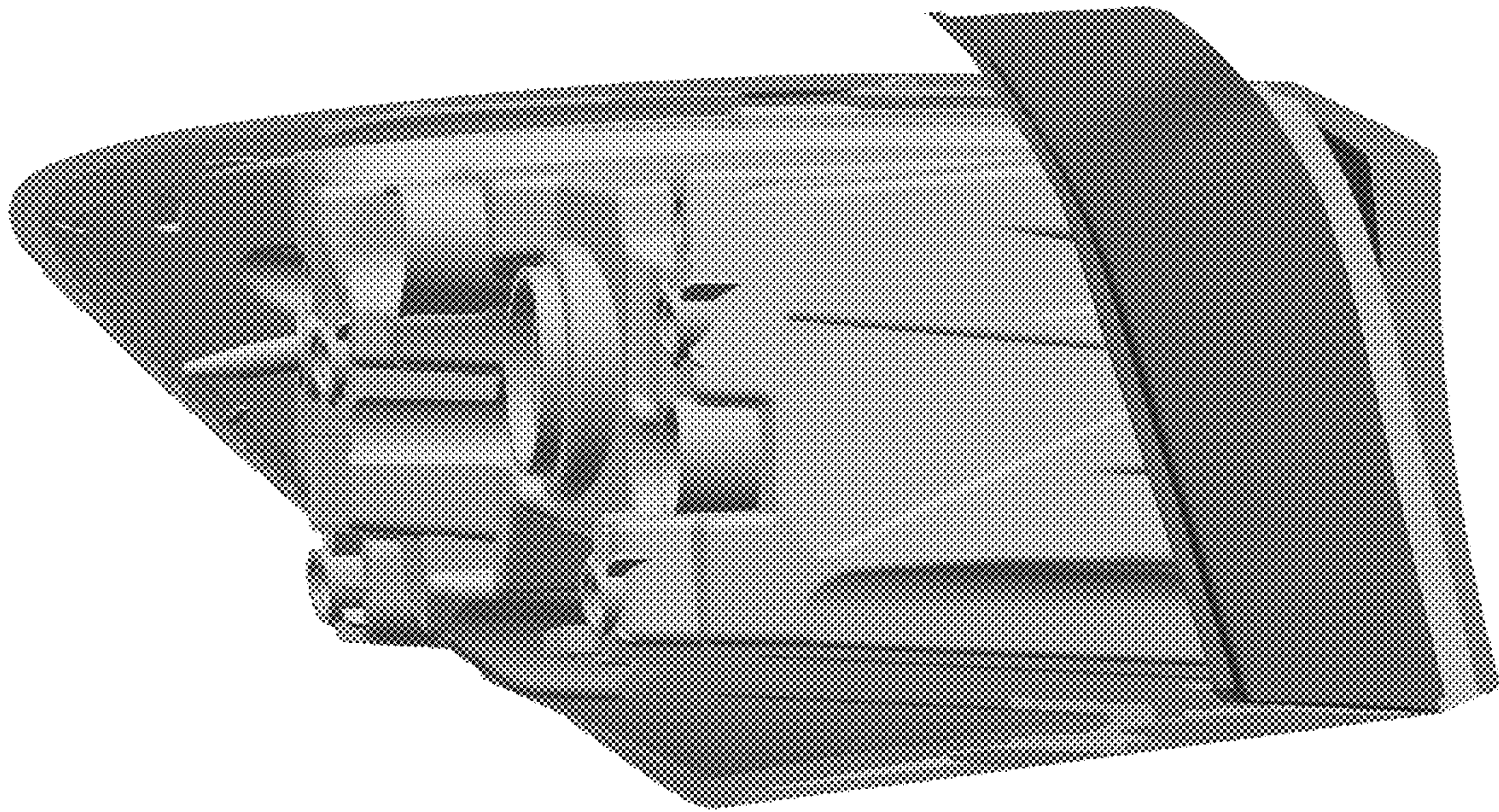


1.3



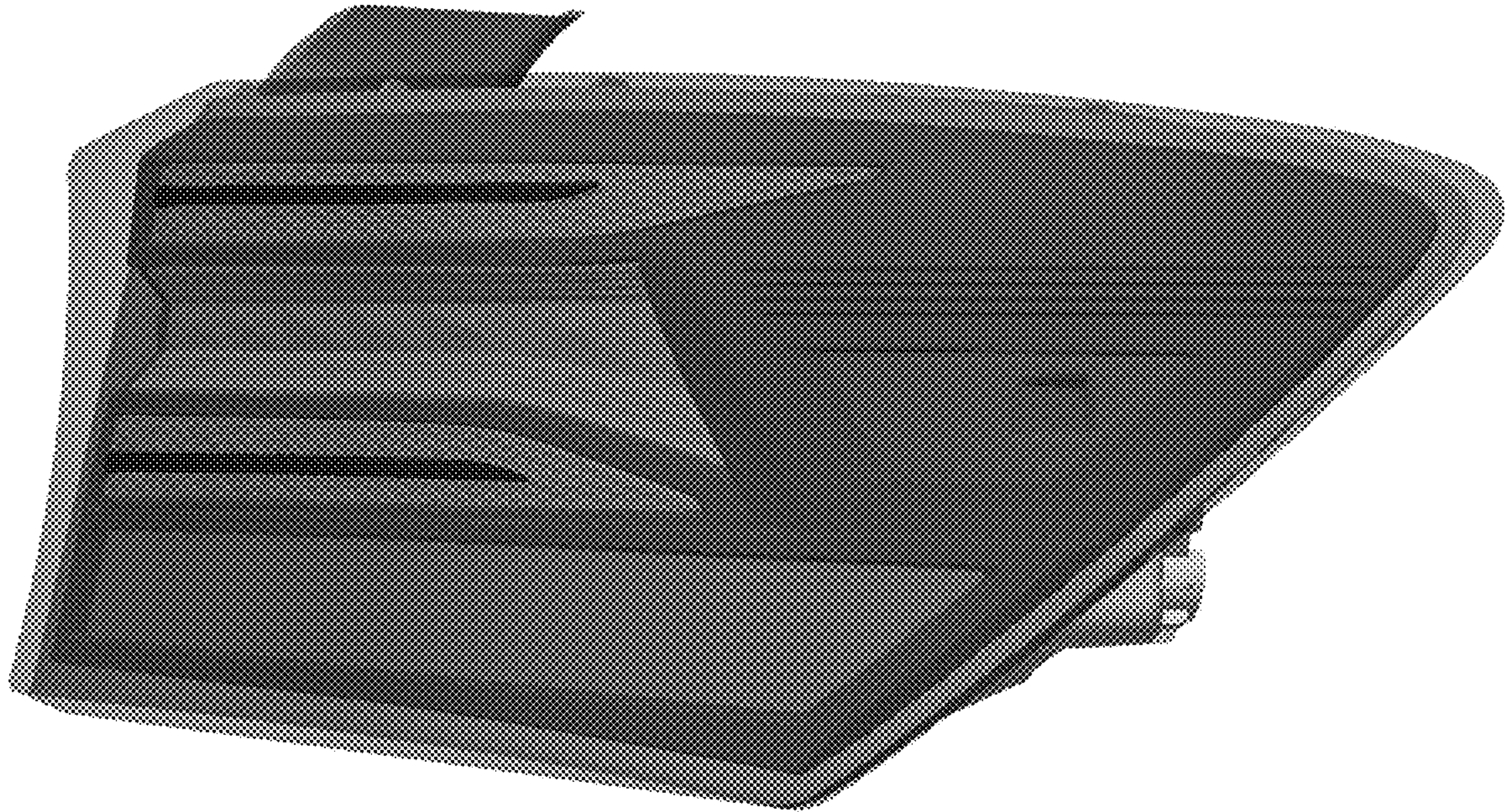


1.4



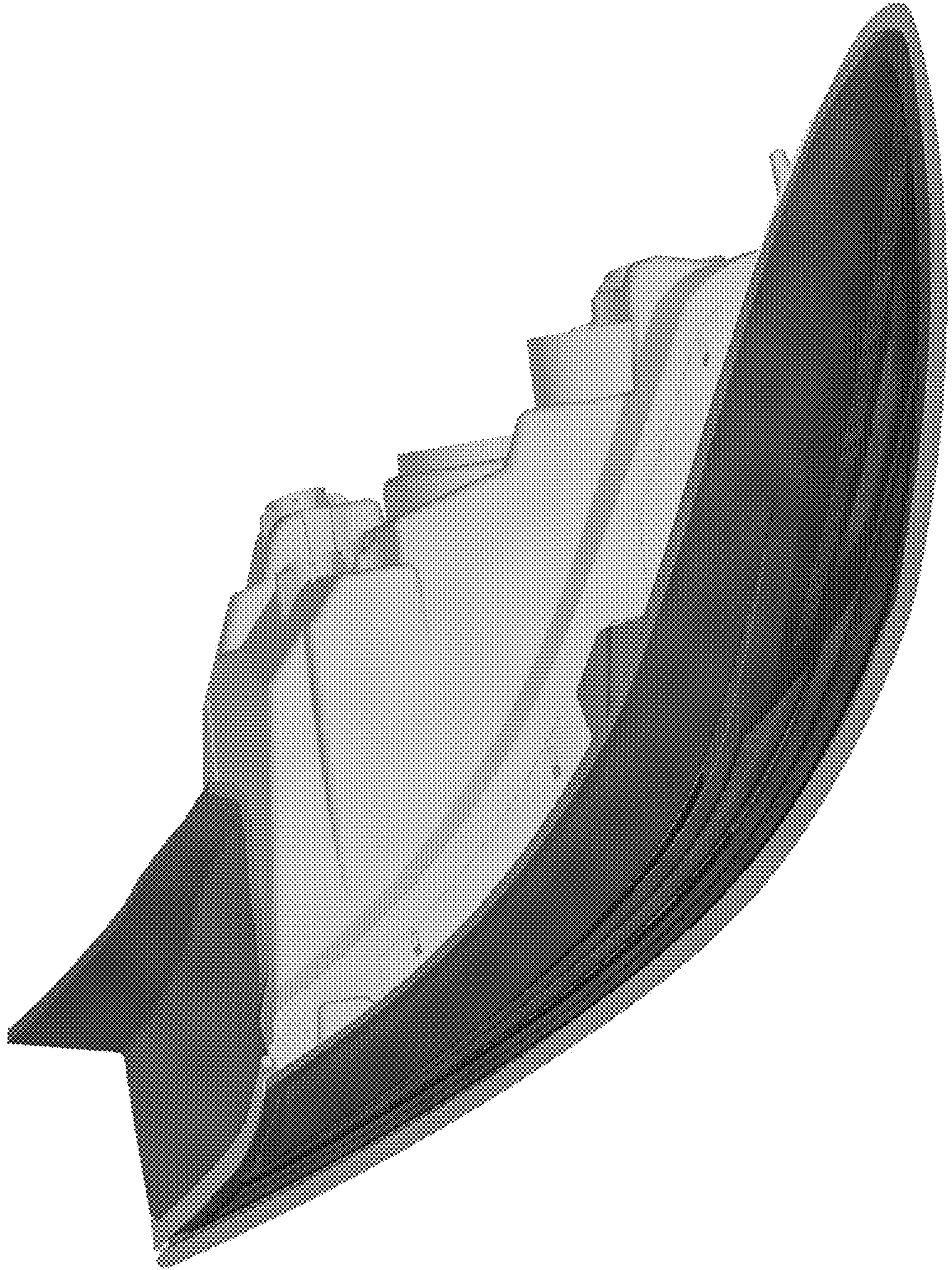


1.5



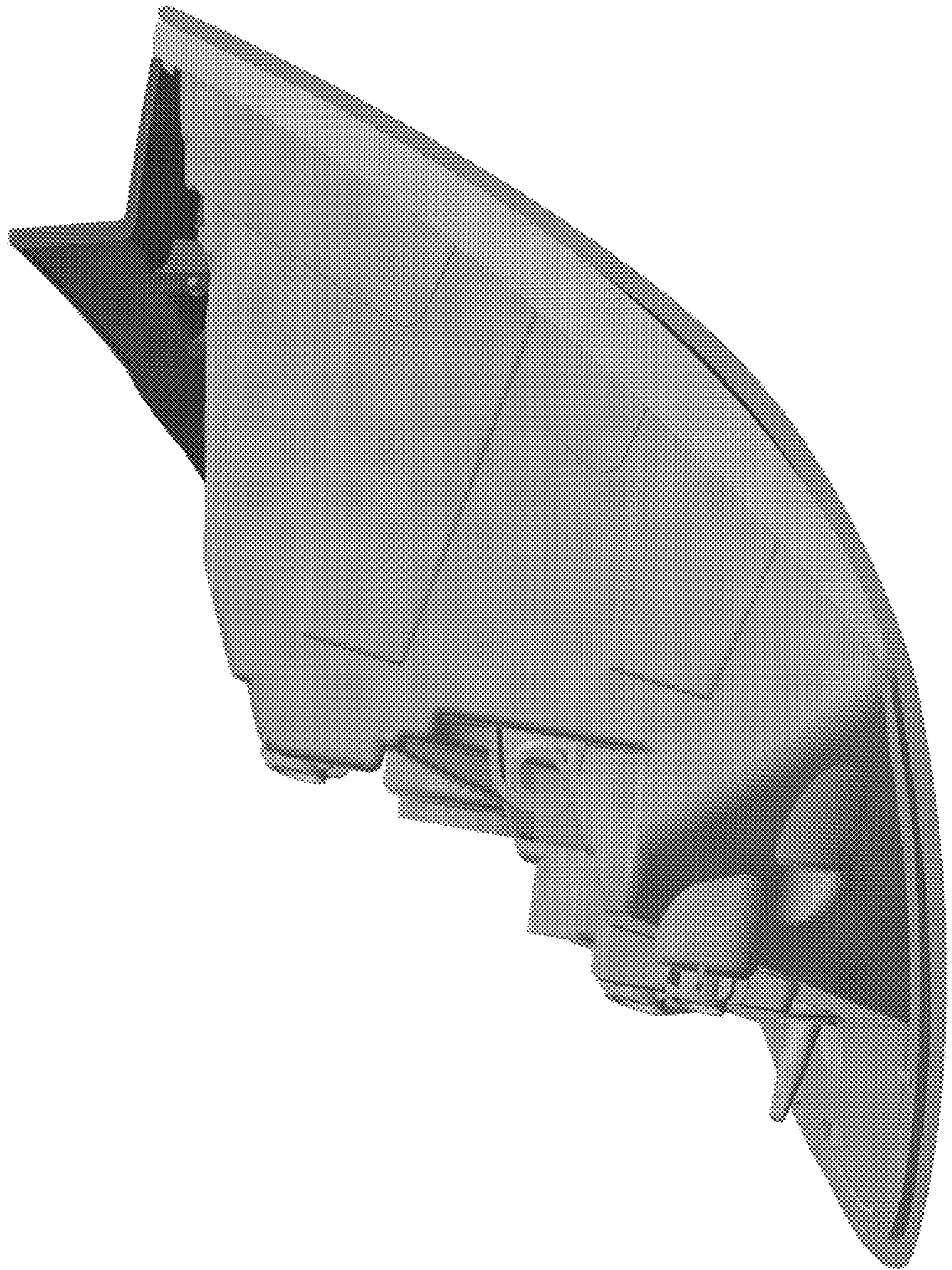


1.6





1.7





1.8

