



US00D974607S

(12) **United States Design Patent** (10) **Patent No.:** **US D974,607 S**
Xie (45) **Date of Patent:** **** Jan. 3, 2023**

(54) **BRAKE LIGHT**
(71) Applicant: **Yue E Xie**, Nanning (CN)
(72) Inventor: **Yue E Xie**, Nanning (CN)
(73) Assignee: **Yue E Xie**, Nanning (CN)
(**) Term: **15 Years**
(21) Appl. No.: **29/799,103**
(22) Filed: **Jul. 13, 2021**
(51) **LOC (14) Cl.** **26-06**
(52) **U.S. Cl.**
USPC **D26/28**
(58) **Field of Classification Search**
USPC D26/28, 29, 30, 31, 32, 33, 34, 35, 36,
D26/139
CPC F21W 2103/35; F21W 2103/40; F21W
2102/17; F21W 2102/30; F21W 2103/00;
F21W 2103/55; F21W 2104/00; F21W
2107/17; F21W 2107/13; F21S 41/00;
F21S 41/141; F21S 41/162; F21S 41/18;
F21S 41/20; F21S 41/33; F21S 41/36;
F21S 41/60; F21S 43/00; F21V 21/04
See application file for complete search history.

(56) **References Cited**
U.S. PATENT DOCUMENTS
D799,081 S * 10/2017 Lin D26/28
D868,306 S * 11/2019 Lin D26/28
D889,710 S * 7/2020 Yeh D26/31
D890,373 S * 7/2020 Chen D26/28
D890,374 S * 7/2020 Chen D26/28

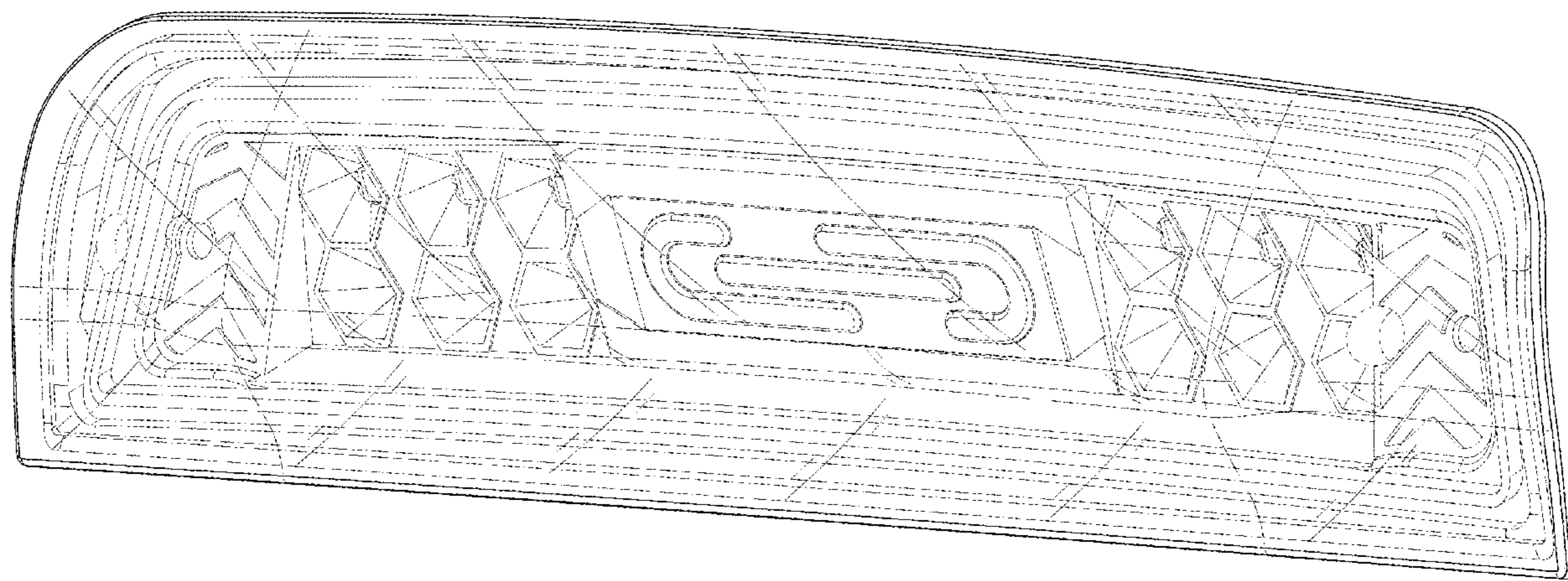
D890,375 S * 7/2020 Chen D26/28
D890,378 S * 7/2020 Chen D26/28
D890,964 S * 7/2020 Chen D26/28
D890,965 S * 7/2020 Chen D26/28
D890,966 S * 7/2020 Chen D26/28
D890,967 S * 7/2020 Chen D26/28
D890,968 S * 7/2020 Chen D26/28
D890,971 S * 7/2020 Chen D26/31
D919,142 S * 5/2021 Wu D26/31
D955,612 S * 6/2022 Tam D26/28
D957,700 S * 7/2022 Wu D26/28
D957,701 S * 7/2022 Wu D26/28
D957,702 S * 7/2022 Wu D26/28

* cited by examiner
Primary Examiner — Angela J Lee
(74) *Attorney, Agent, or Firm* — Nitin Kaushik

(57) **CLAIM**
The ornamental design for a brake light, as shown and described.

DESCRIPTION
FIG. 1 is a perspective view of a brake light showing my new design;
FIG. 2 is another perspective view thereof;
FIG. 3 is a front elevational view thereof;
FIG. 4 is a rear elevational view thereof;
FIG. 5 is a left side elevational view thereof;
FIG. 6 is a right side elevational view thereof;
FIG. 7 is a top plan view thereof; and,
FIG. 8 is a bottom plan view thereof.
The broken lines in the drawings depict portions of the brake light that form no part of the claimed design.

1 Claim, 8 Drawing Sheets



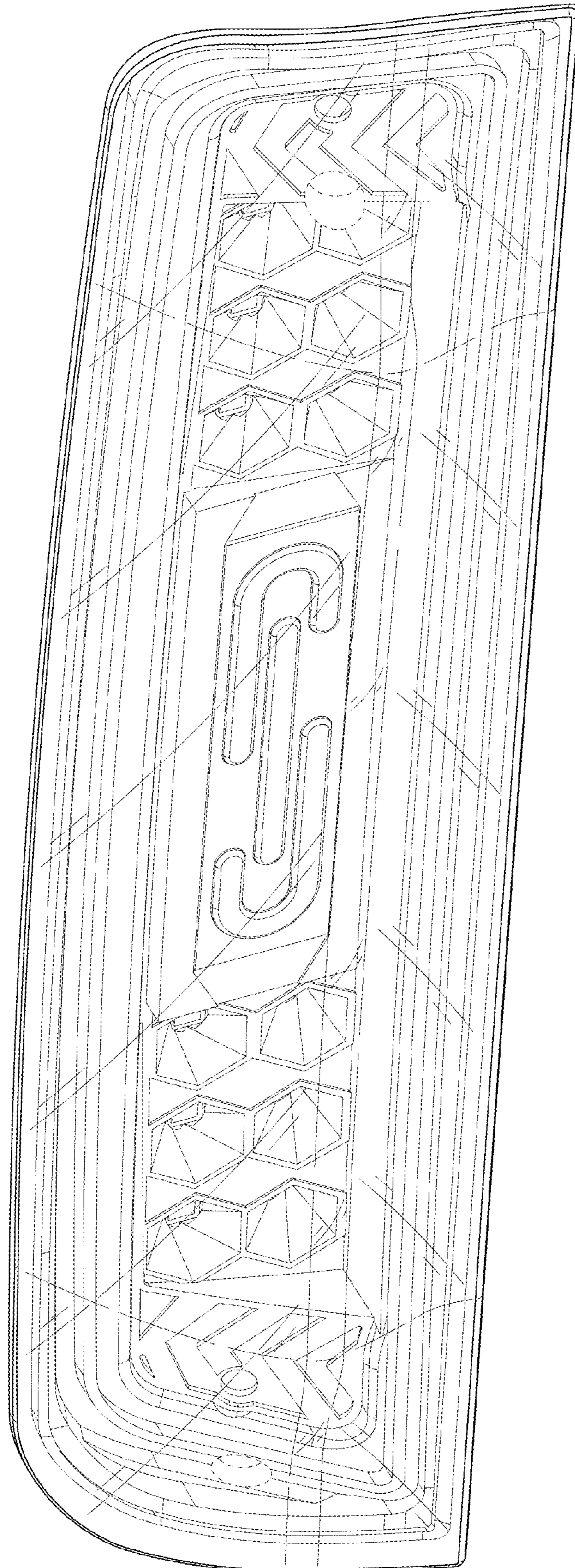


FIG. 1

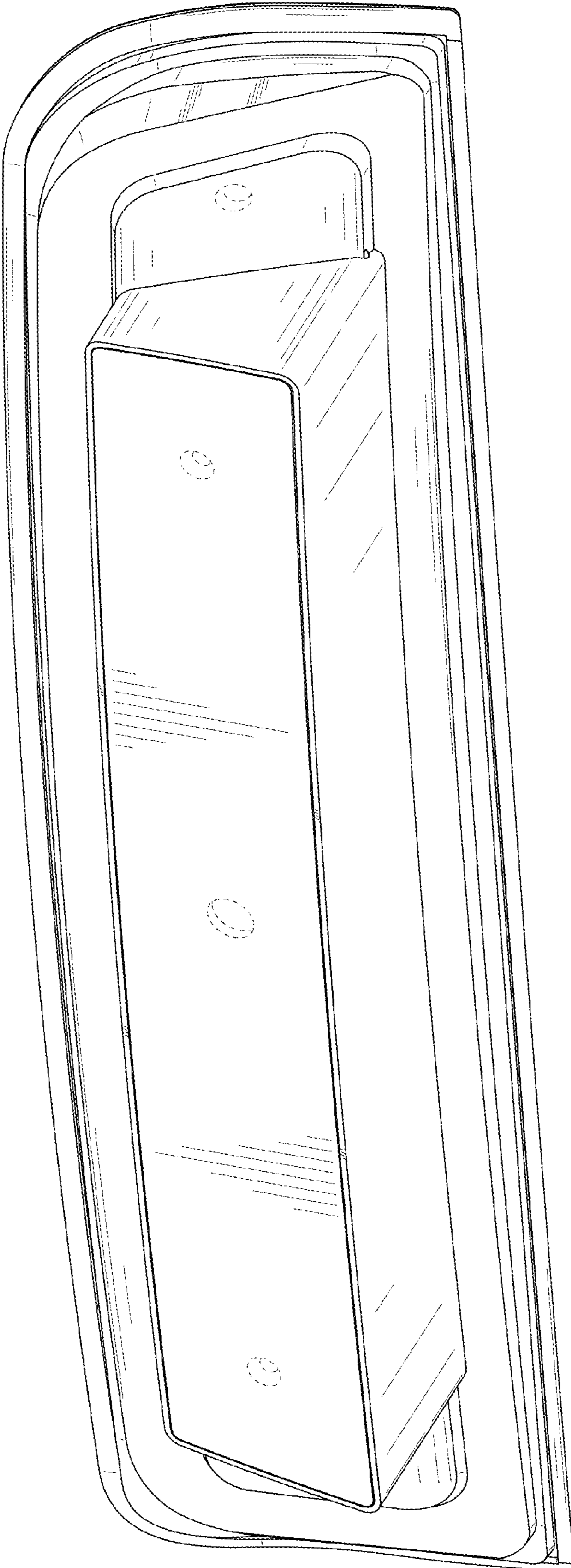


FIG. 2

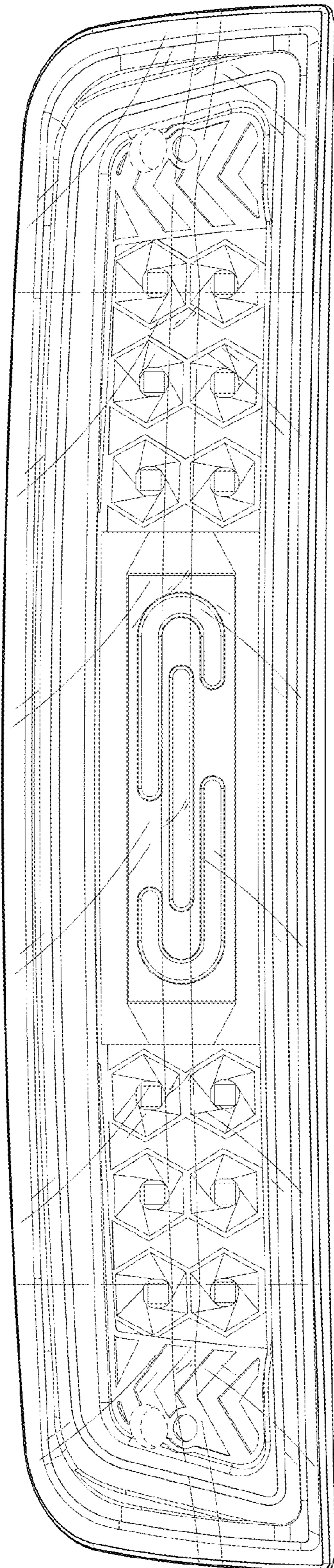


FIG. 3

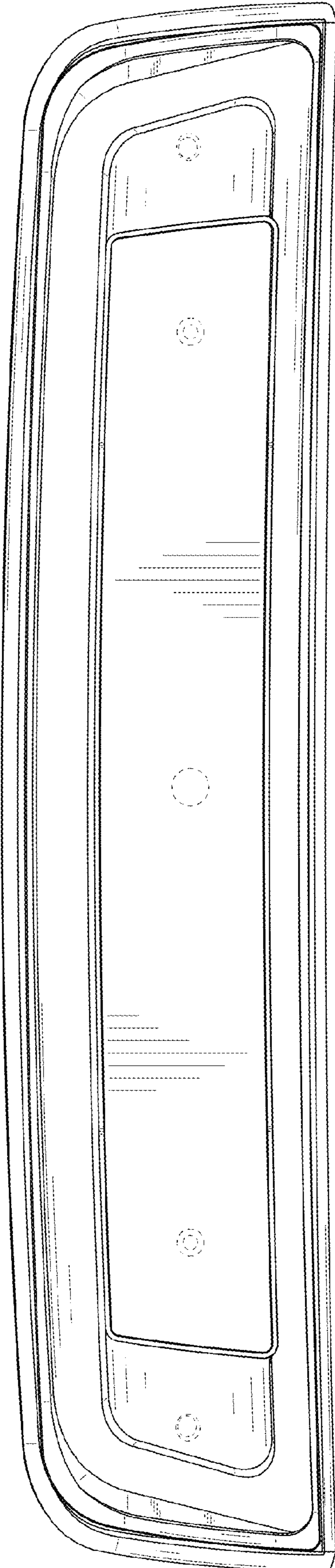


FIG. 4

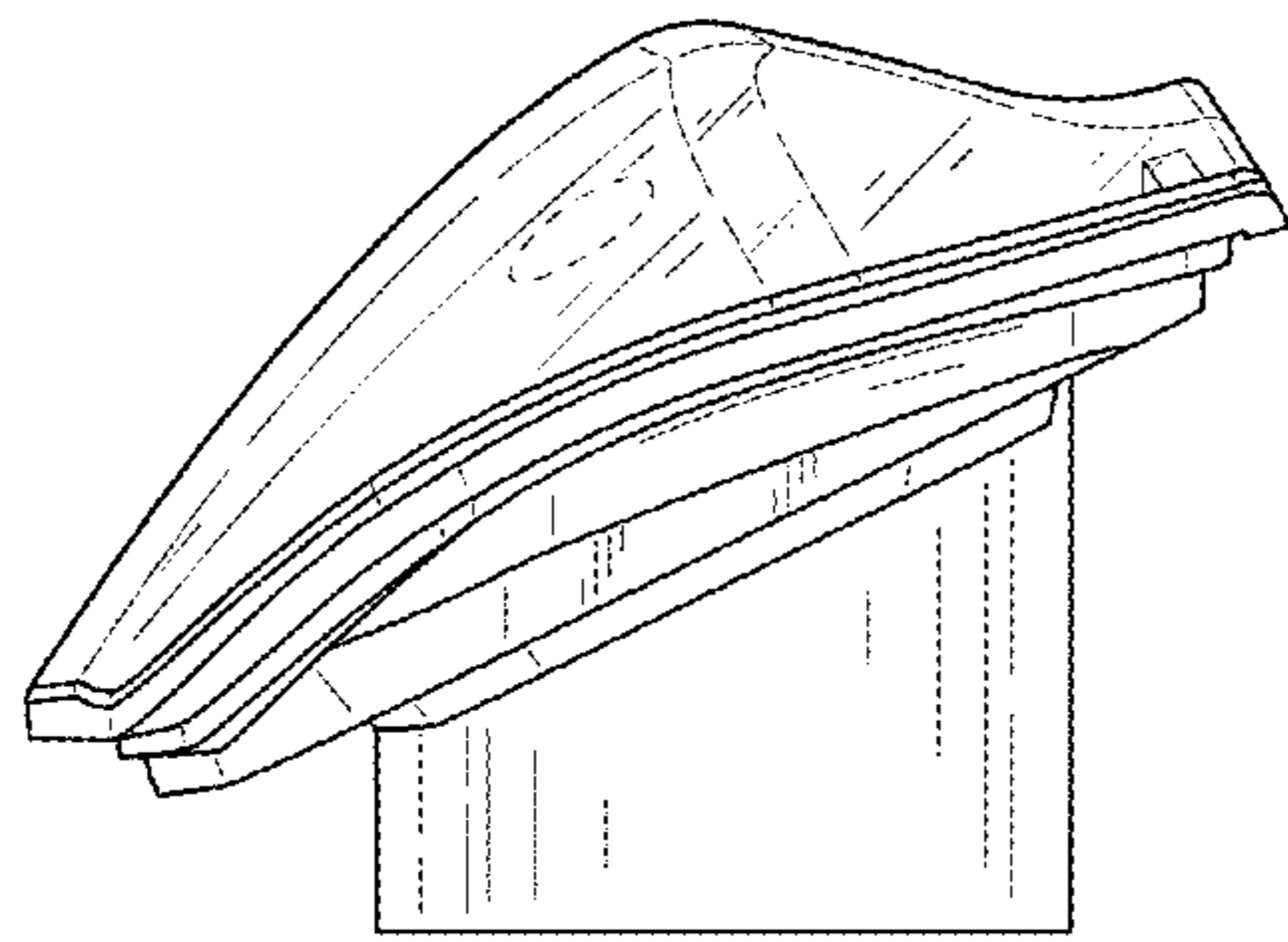


FIG. 5

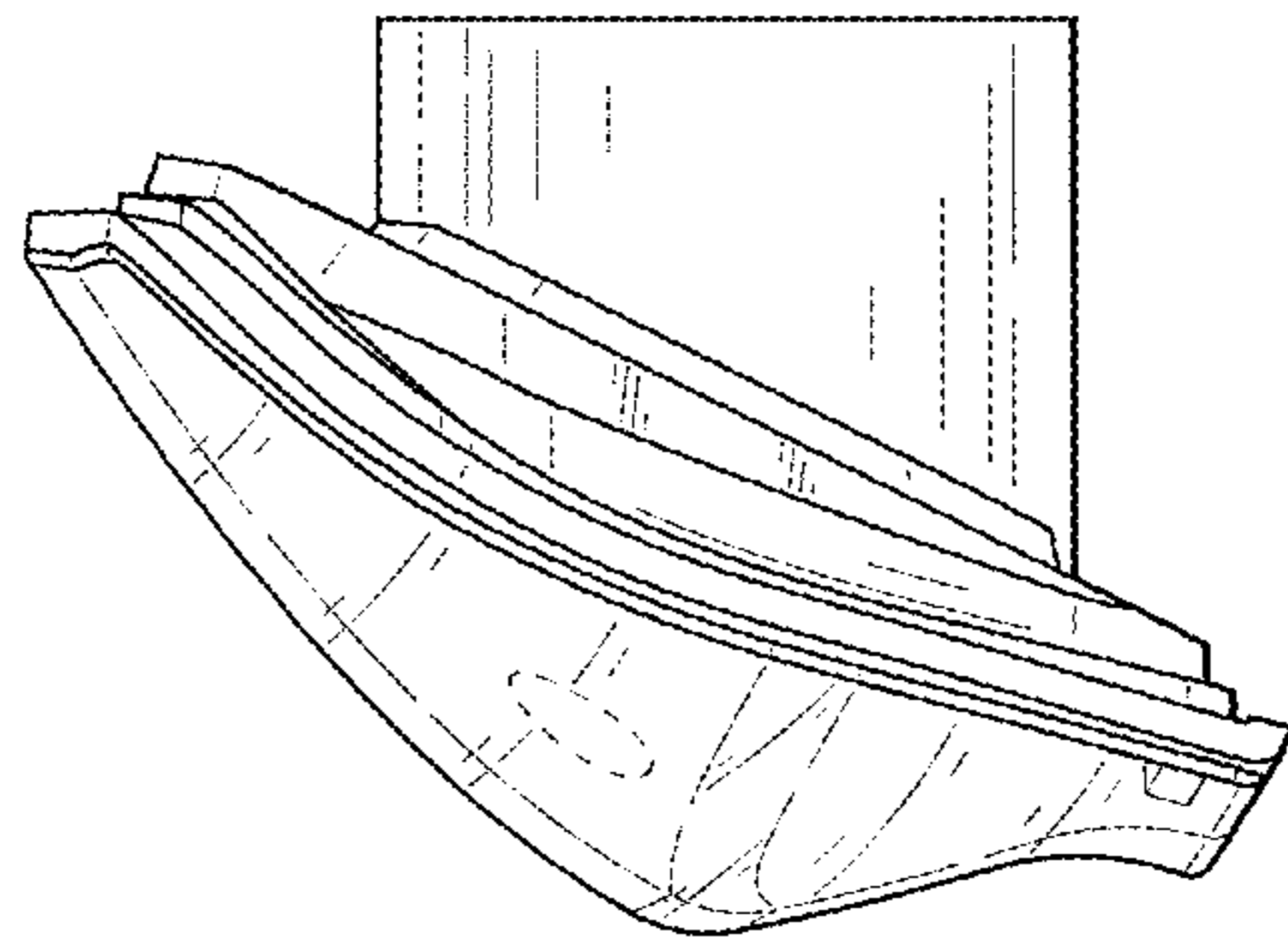


FIG. 6

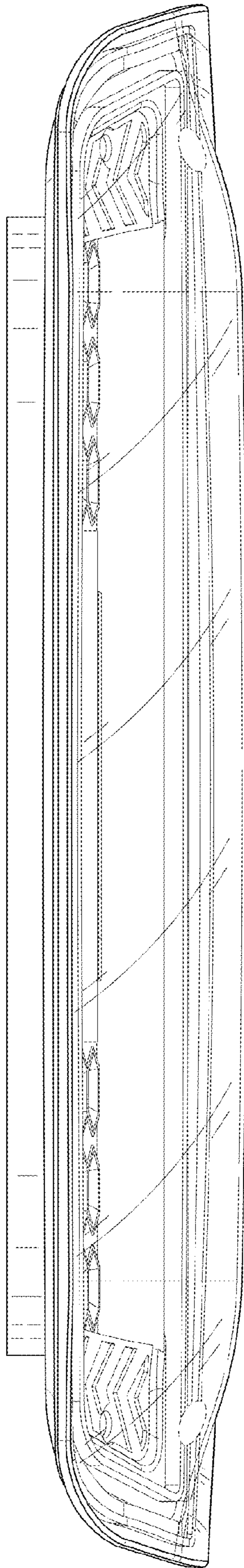


FIG. 7

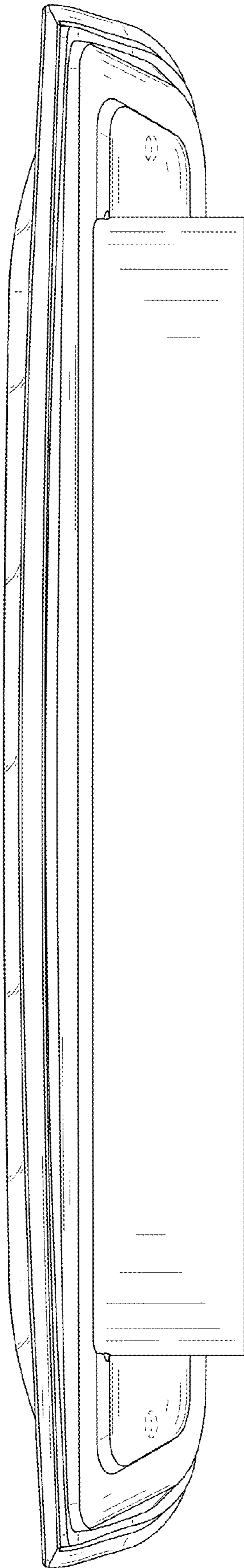


FIG. 8