



US00D974603S

(12) **United States Design Patent**
Loisch et al.

(10) **Patent No.:** **US D974,603 S**
(45) **Date of Patent:** **** Jan. 3, 2023**

- (54) **HEADLIGHT FOR A VEHICLE**
- (71) Applicant: **Daimler AG**, Stuttgart (DE)
- (72) Inventors: **Felix Loisch**, Munich (DE); **Frederic Seemann**, Sindelfingen (DE)
- (73) Assignee: **Mercedes-Benz Group AG**, Stuttgart (DE)
- (**) Term: **15 Years**
- (21) Appl. No.: **29/732,808**
- (22) Filed: **Apr. 28, 2020**

Related U.S. Application Data

- (62) Division of application No. 35/506,698, filed on Oct. 8, 2018 (U.S. filing date under 35 U.S.C. 384), and having an international filing date of Oct. 8, 2018, now Pat. No. Des. 894,450.

Foreign Application Priority Data

- Apr. 10, 2018 (WO) DM/101795
- (51) **LOC (14) Cl.** **26-06**
- (52) **U.S. Cl.**
USPC **D26/28**
- (58) **Field of Classification Search**
USPC D26/28
CPC F21S 48/00; F21S 48/10; F21S 48/115;
F21S 48/225; F21S 48/1233; F21S
48/1266; F21S 48/1388; F21S 48/2266;
F21V 21/04; B60Q 1/30; B60Q 1/2607;
B60Q 1/2696; B62J 6/00; B62J 6/04
See application file for complete search history.

References Cited

U.S. PATENT DOCUMENTS

- D749,761 S 2/2016 Sa et al.
- D749,762 S 2/2016 Sa et al.

- D755,426 S 5/2016 Handt et al.
- D756,005 S 5/2016 Handt et al.
- D756,551 S 5/2016 Handt et al.
- D757,313 S 5/2016 Binder et al.
- D757,314 S 5/2016 Binder et al.
- D757,315 S 5/2016 Binder et al.
- D757,970 S 5/2016 Binder et al.
- D758,625 S 6/2016 Binder et al.
- D759,864 S 6/2016 Shim et al.
- D761,459 S 7/2016 Binder et al.
- D771,289 S 11/2016 Binder et al.
- D771,290 S 11/2016 Binder et al.
- D774,219 S 12/2016 Lim et al.
- D776,309 S 1/2017 Ha et al.
- D777,957 S 1/2017 Ha et al.
- D804,693 S 12/2017 Handt et al.
- D827,882 S 9/2018 Baaske et al.
- D828,588 S 9/2018 Baaske et al.
- D828,934 S 9/2018 Baaske et al.
- D829,948 S 10/2018 Jung et al.
- D832,473 S 10/2018 Handt et al.

(Continued)

Primary Examiner — Natasha Vujcic

(74) *Attorney, Agent, or Firm* — Crowell & Moring LLP

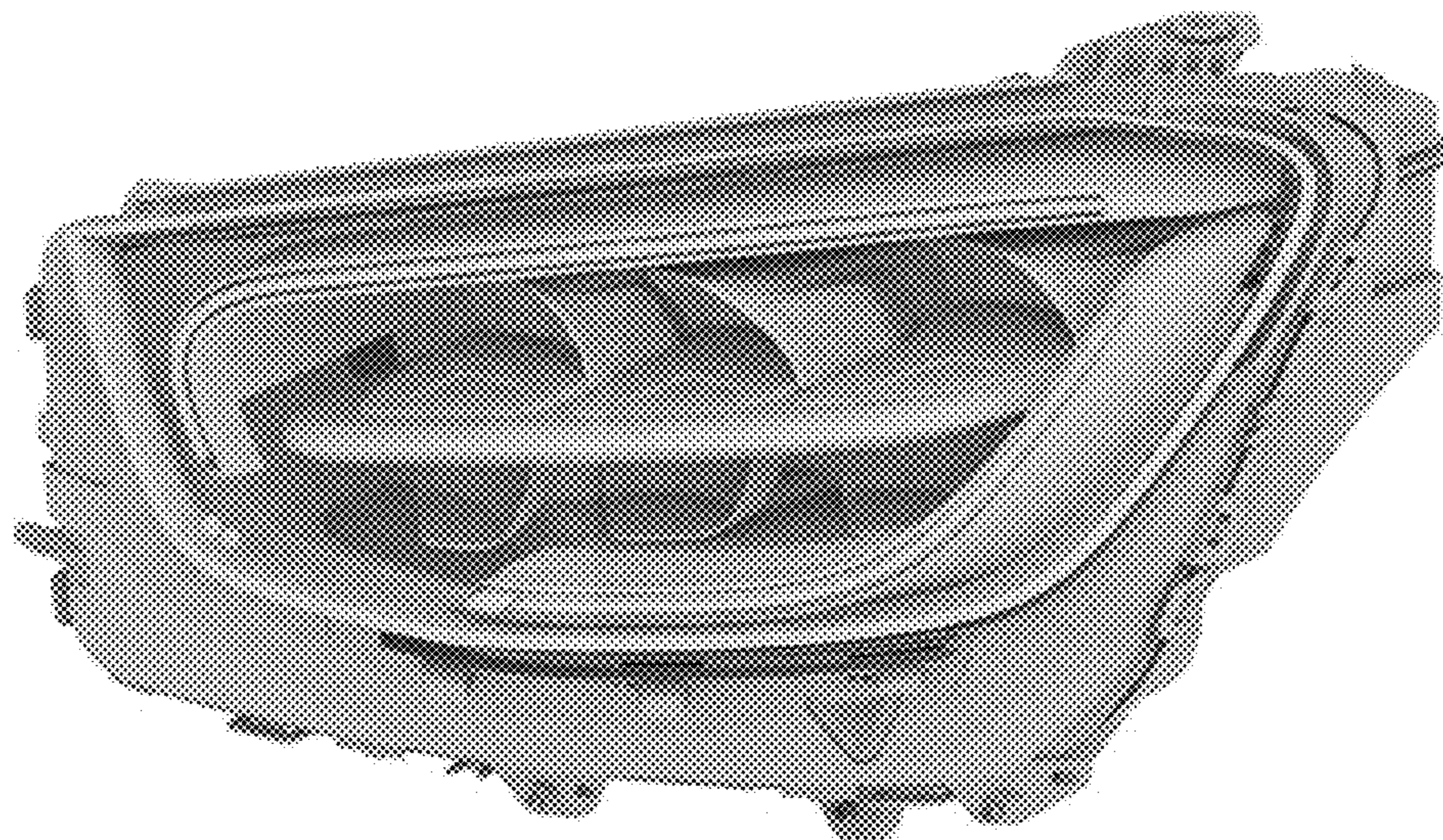
(57) **CLAIM**

The ornamental design for a headlight for a vehicle, as shown and described.

DESCRIPTION

FIG. 1 is a front view of a headlight for a vehicle according to the design;
 FIG. 2 is a right, front perspective view thereof;
 FIG. 3 is a right side view thereof;
 FIG. 4 is a left side view thereof;
 FIG. 5 is a rear view thereof;
 FIG. 6 is a top view thereof; and,
 FIG. 7 is a bottom view thereof.

1 Claim, 7 Drawing Sheets



(56)

References Cited

U.S. PATENT DOCUMENTS

D857,953 S *	8/2019	Han	F21S 43/00 D26/28
D861,205 S	9/2019	Badstuebner et al.	
D861,206 S	9/2019	Badstuebner et al.	
D861,207 S	9/2019	Badstuebner et al.	
D861,934 S	10/2019	Badstuebner et al.	
D861,935 S	10/2019	Badstuebner et al.	
D870,936 S *	12/2019	Wu	D26/28
D887,595 S *	6/2020	Wu	D26/28
D890,380 S *	7/2020	Wu	D26/28
D895,180 S *	9/2020	Hong	D26/28
D903,909 S *	12/2020	Kimura	D26/28
D912,862 S *	3/2021	Wu	D26/28
D913,551 S *	3/2021	Sin	D26/28
D940,364 S *	1/2022	Kwon	D26/28
D947,428 S *	3/2022	Hur	D26/28
D950,804 S *	5/2022	Badstuebner	D26/28

* cited by examiner

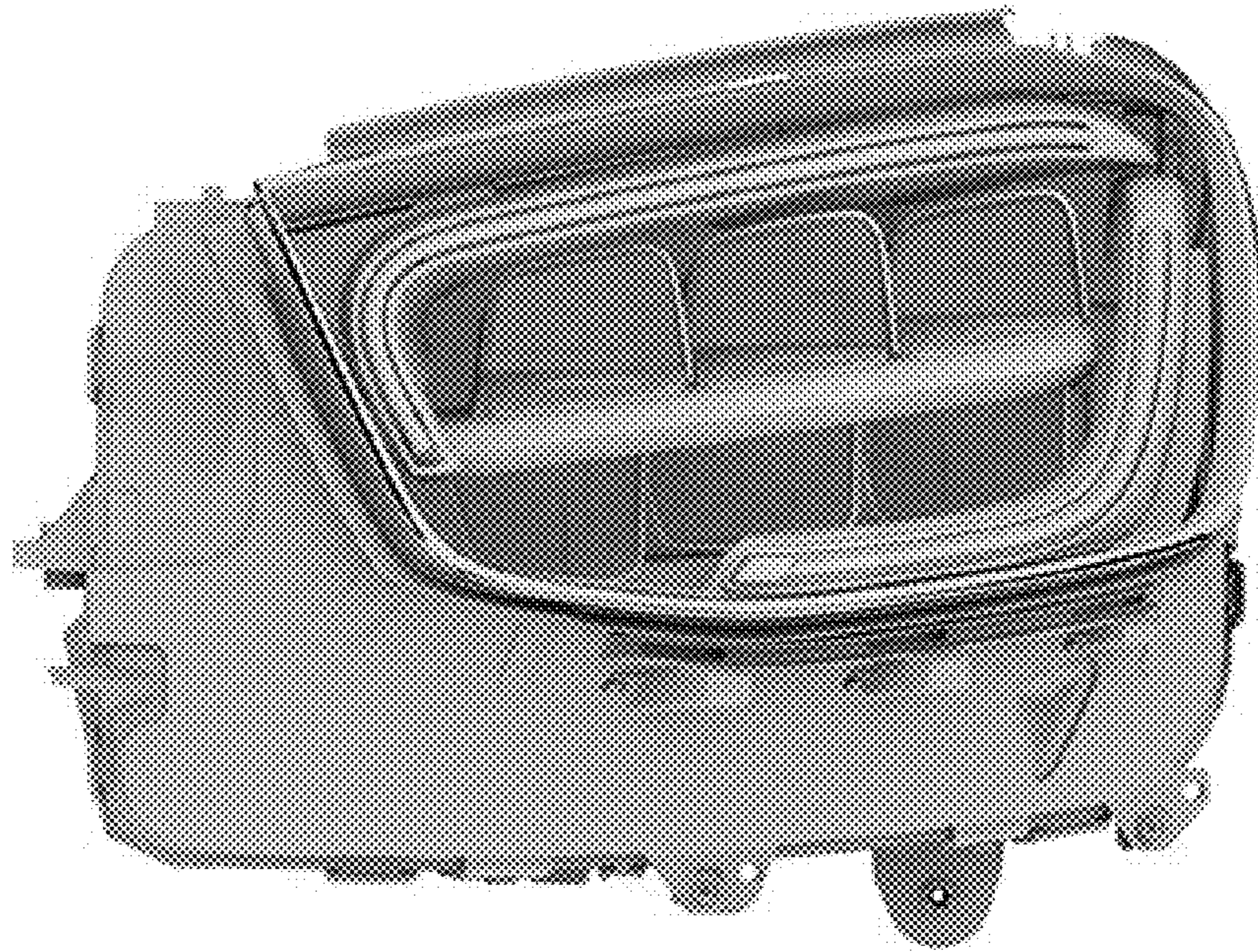


Fig. 1

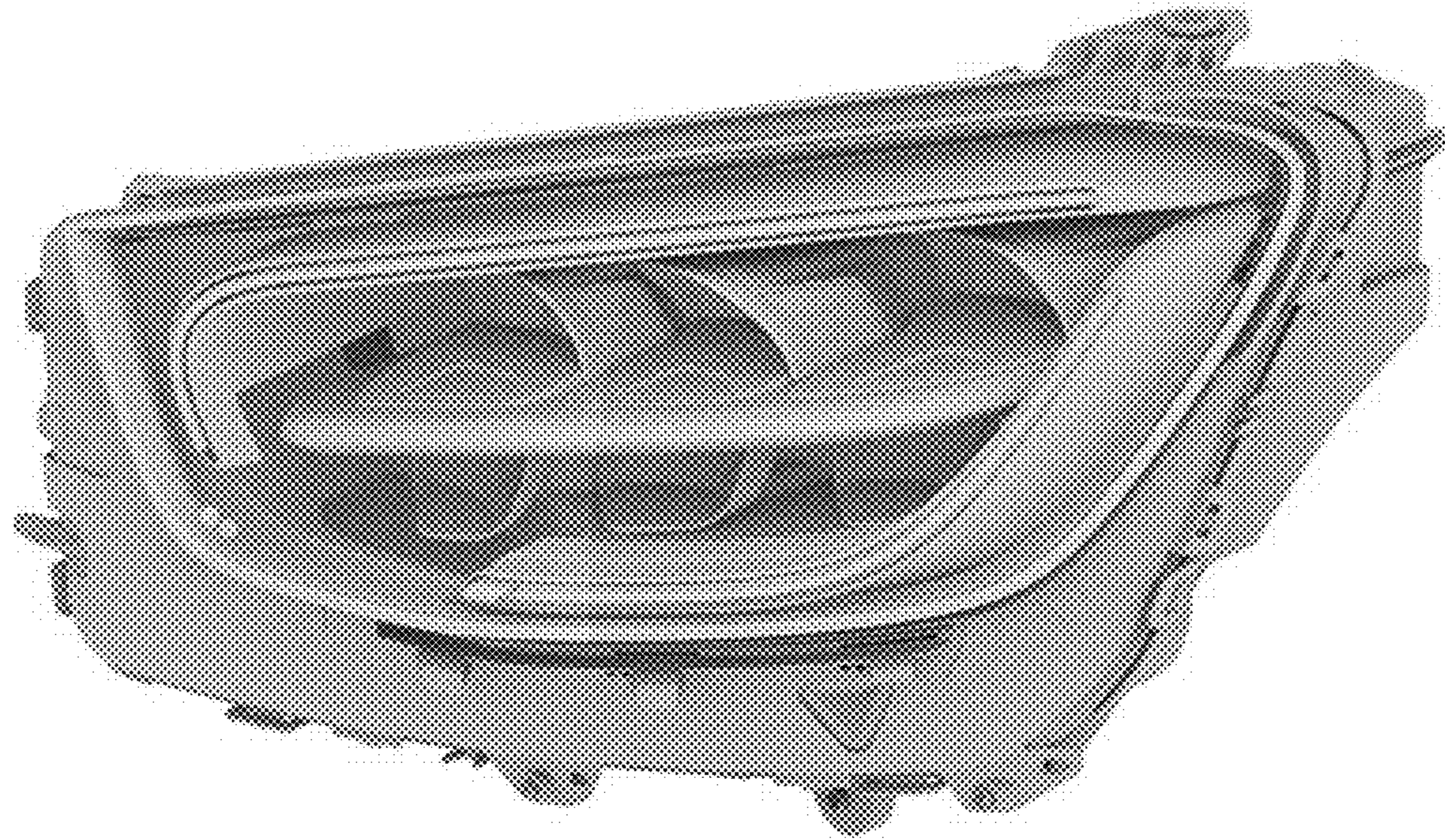


Fig. 2

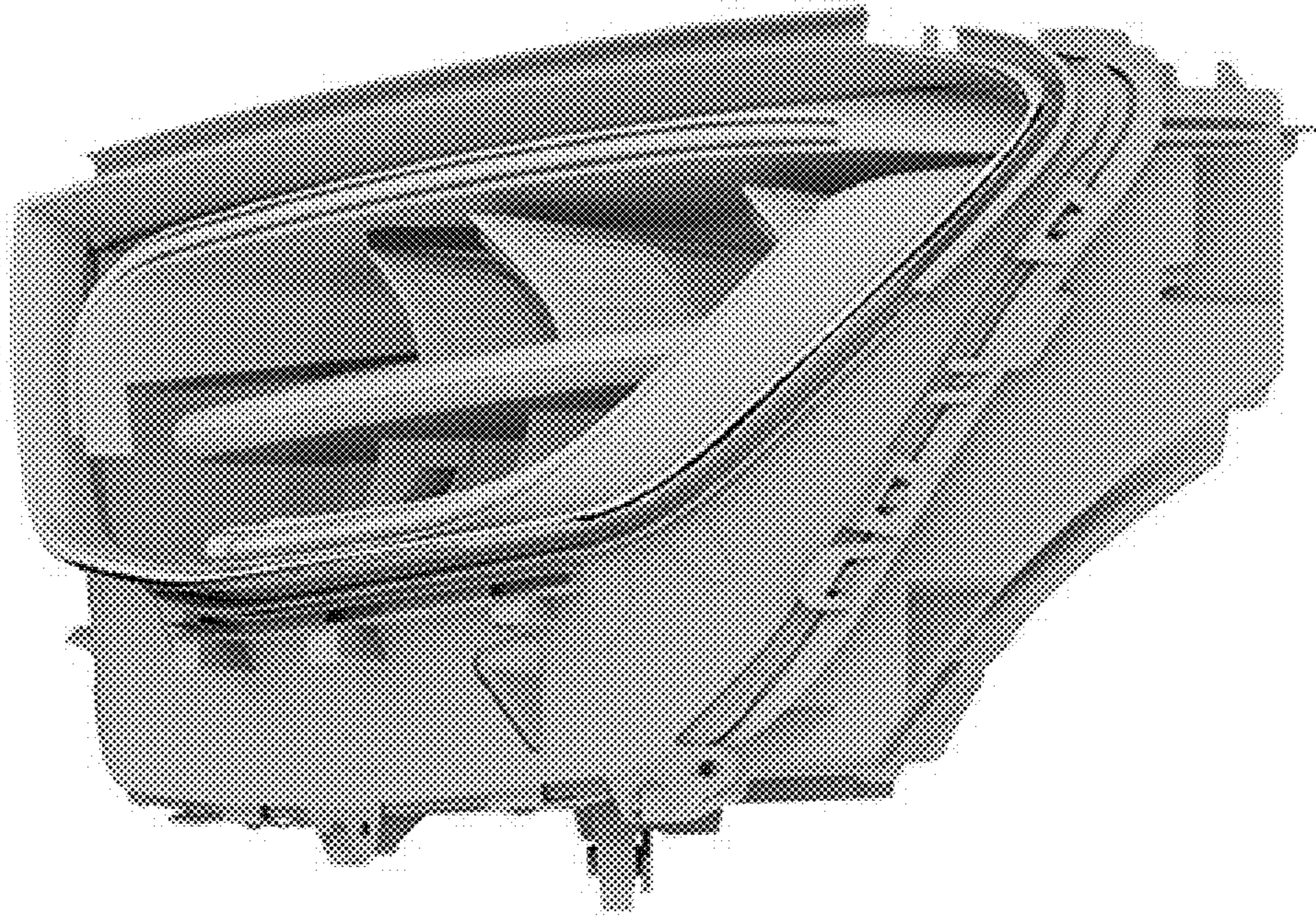


Fig. 3

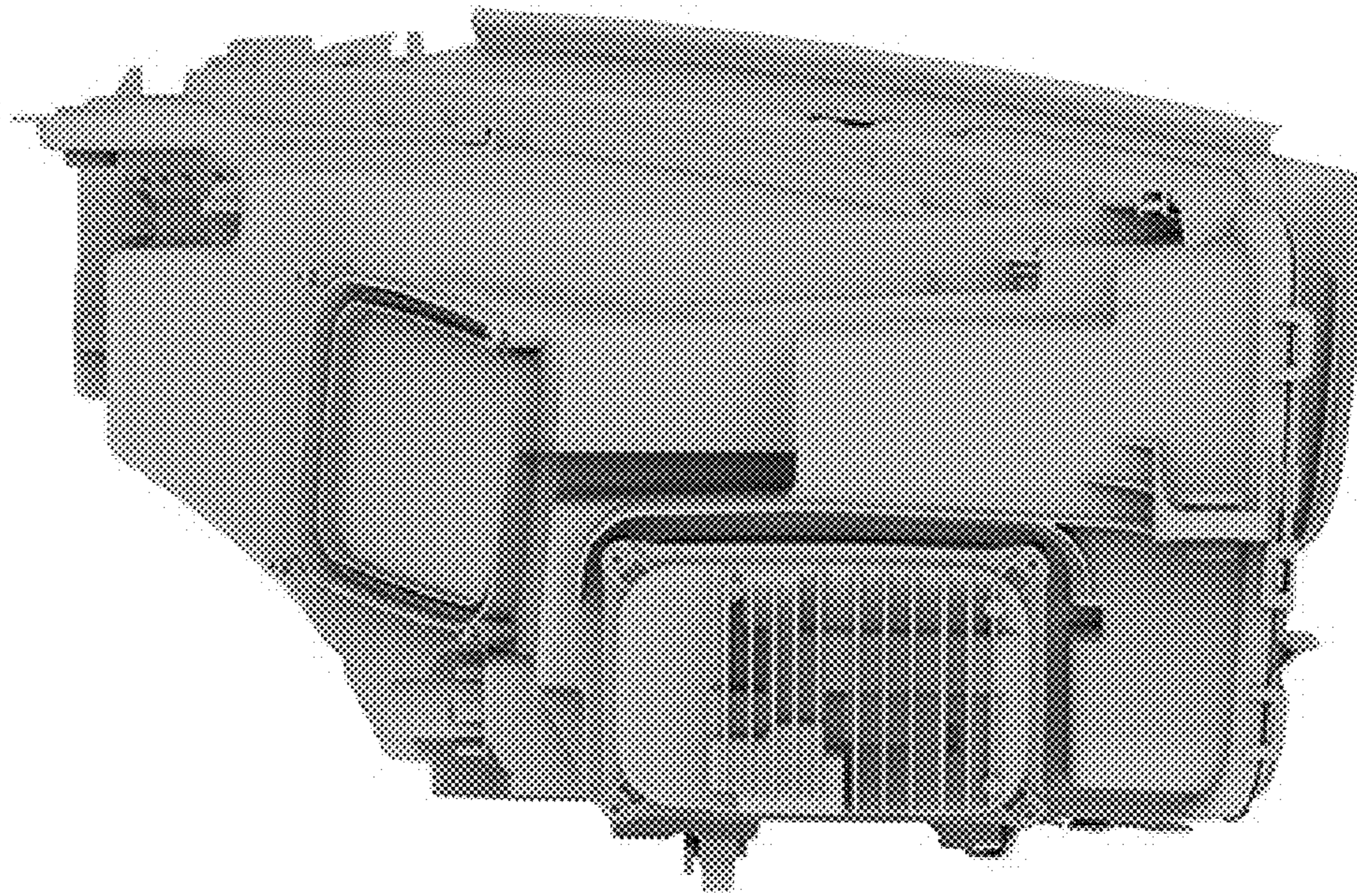


Fig. 4

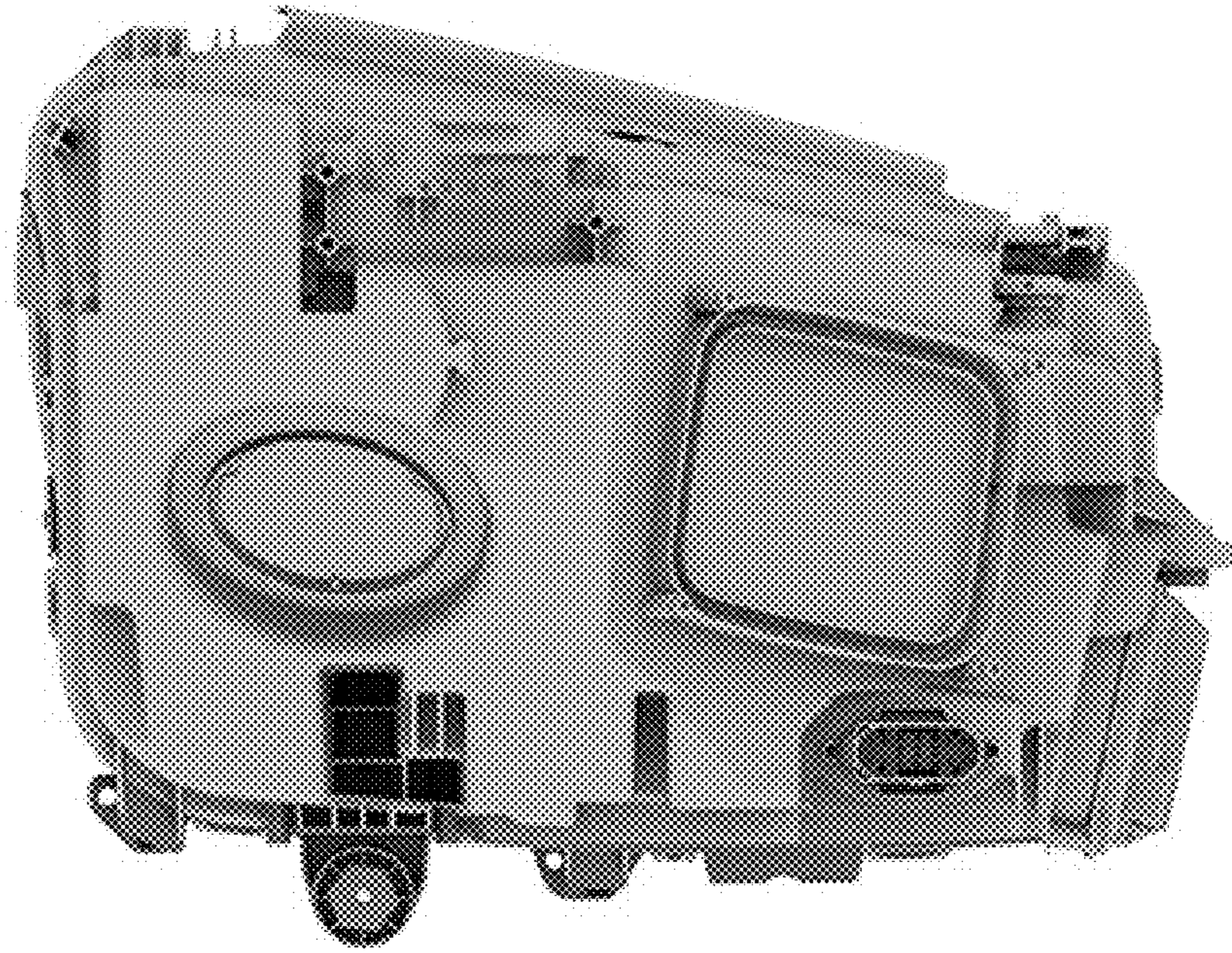


Fig. 5

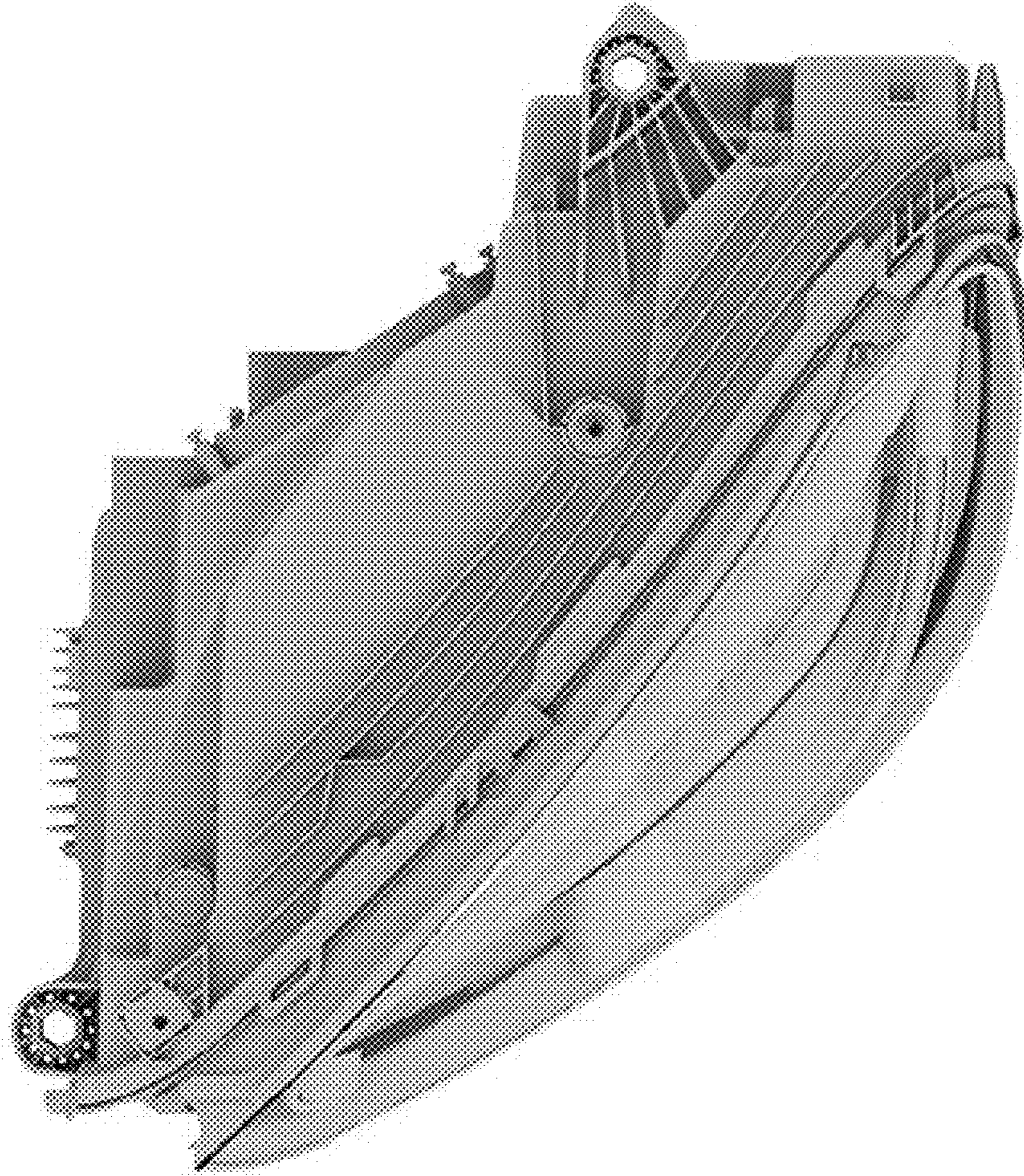


Fig. 6

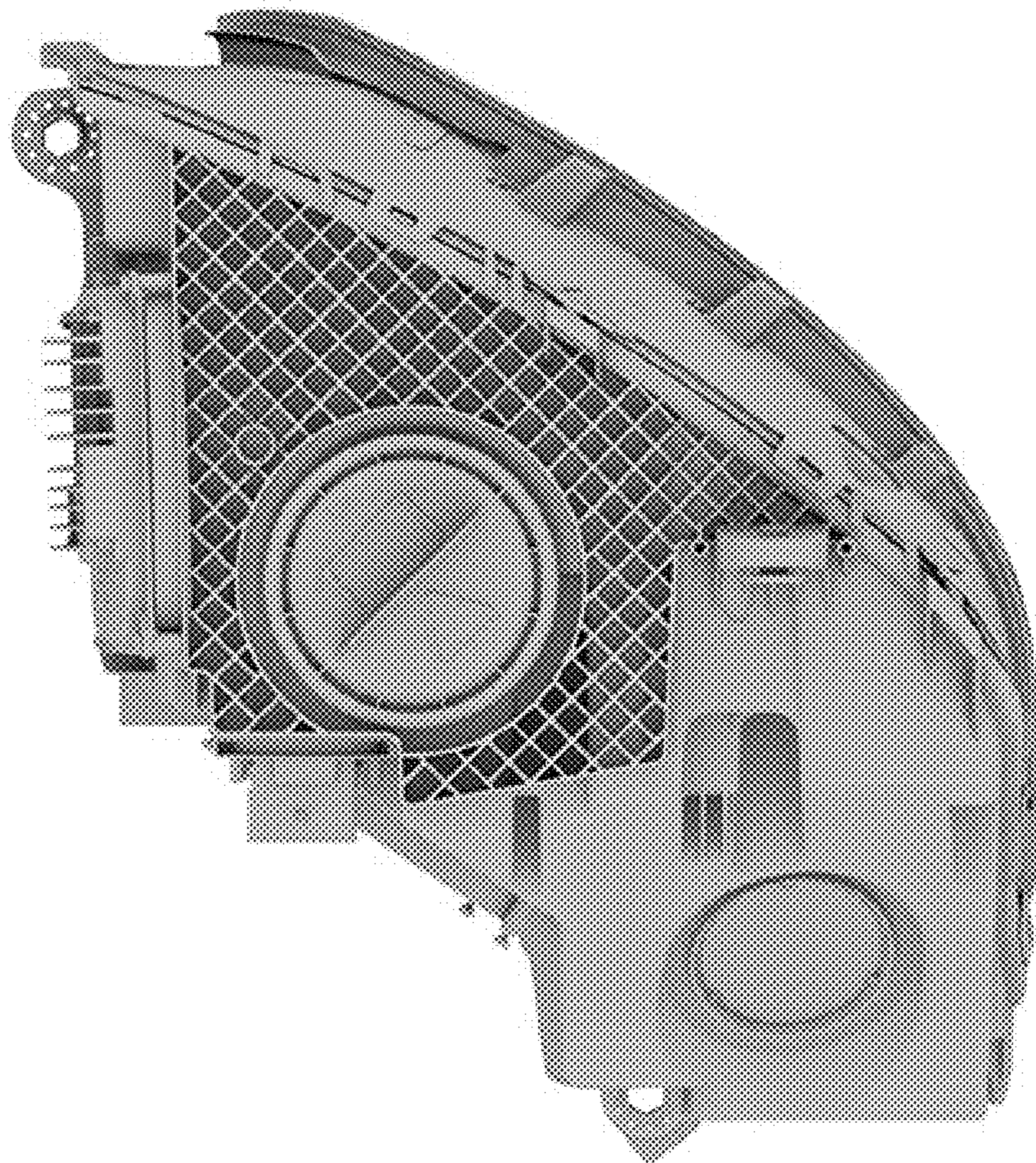


Fig. 7