



US00D974602S

(12) **United States Design Patent** (10) **Patent No.:** **US D974,602 S**
Yi (45) **Date of Patent:** **** Jan. 3, 2023**

(54) **SMART NIGHT LIGHT**
(71) Applicant: **Lyridz Innovation (Shenzhen) Technology Co., Ltd, Shenzhen (CN)**
(72) Inventor: **Huaxiang Yi, Shenzhen (CN)**
(**) Term: **15 Years**
(21) Appl. No.: **29/759,577**
(22) Filed: **Nov. 24, 2020**
(51) **LOC (14) Cl.** **26-05**
(52) **U.S. Cl.**
USPC **D26/26**
(58) **Field of Classification Search**
USPC D26/26, 24, 113, 118, 119, 120, 52;
D23/366, 367, 369
CPC F21S 8/035; F21V 23/06; F21V 23/0442;
F21W 2121/00; H01R 2103/00
See application file for complete search history.

D715,468 S * 10/2014 Dai D26/26
D813,429 S * 3/2018 Li D26/26
D894,436 S * 8/2020 Wu D26/26
D923,210 S * 6/2021 Tan D26/26
D923,211 S * 6/2021 Zhang D26/26
D952,218 S * 5/2022 Qiu D26/26
D960,343 S * 8/2022 Chang D23/366

* cited by examiner
Primary Examiner — Angela J Lee

(57) **CLAIM**

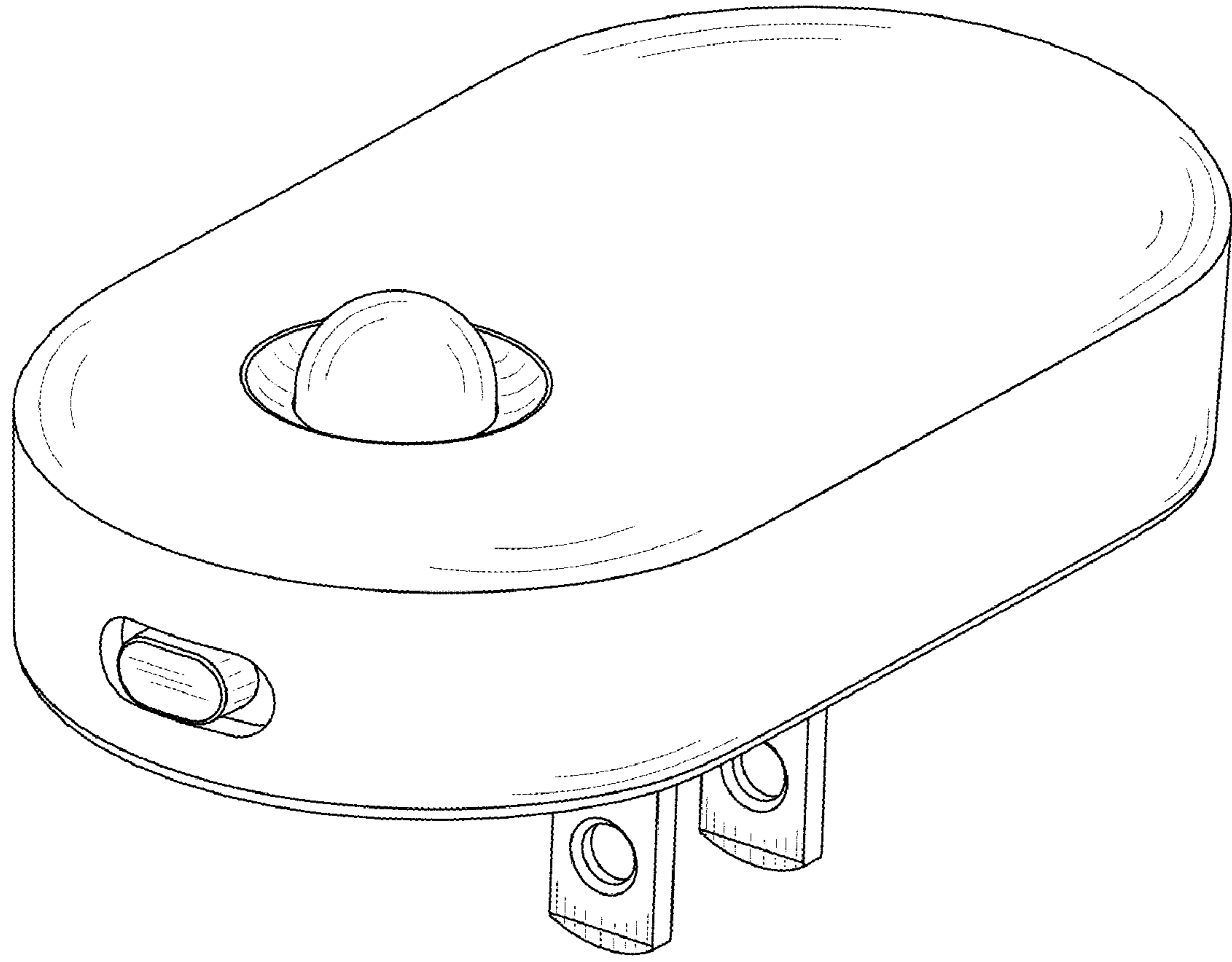
The ornamental design for a smart night light, as shown and described.

DESCRIPTION

FIG. 1 is a top perspective view showing of my design; FIG. 2 is a bottom perspective view showing of my design; FIG. 3 is a front elevational view thereof; FIG. 4 is a rear elevational view thereof; FIG. 5 is a left side elevational view thereof; FIG. 6 is a right side elevational view thereof; FIG. 7 is a top plan view thereof; and, FIG. 8 is a bottom plan view thereof.
The broken lines depict portions of the smart night light in which the design is embodied that form no part of the claimed design.

1 Claim, 8 Drawing Sheets

(56) **References Cited**
U.S. PATENT DOCUMENTS
D347,288 S * 5/1994 Ham D26/26
D403,786 S * 1/1999 Lai D26/37
D455,507 S * 4/2002 Liu D26/26
D524,458 S * 7/2006 Chan D26/26
D633,237 S * 2/2011 Wang D26/26
D644,362 S * 8/2011 Kingston D26/26



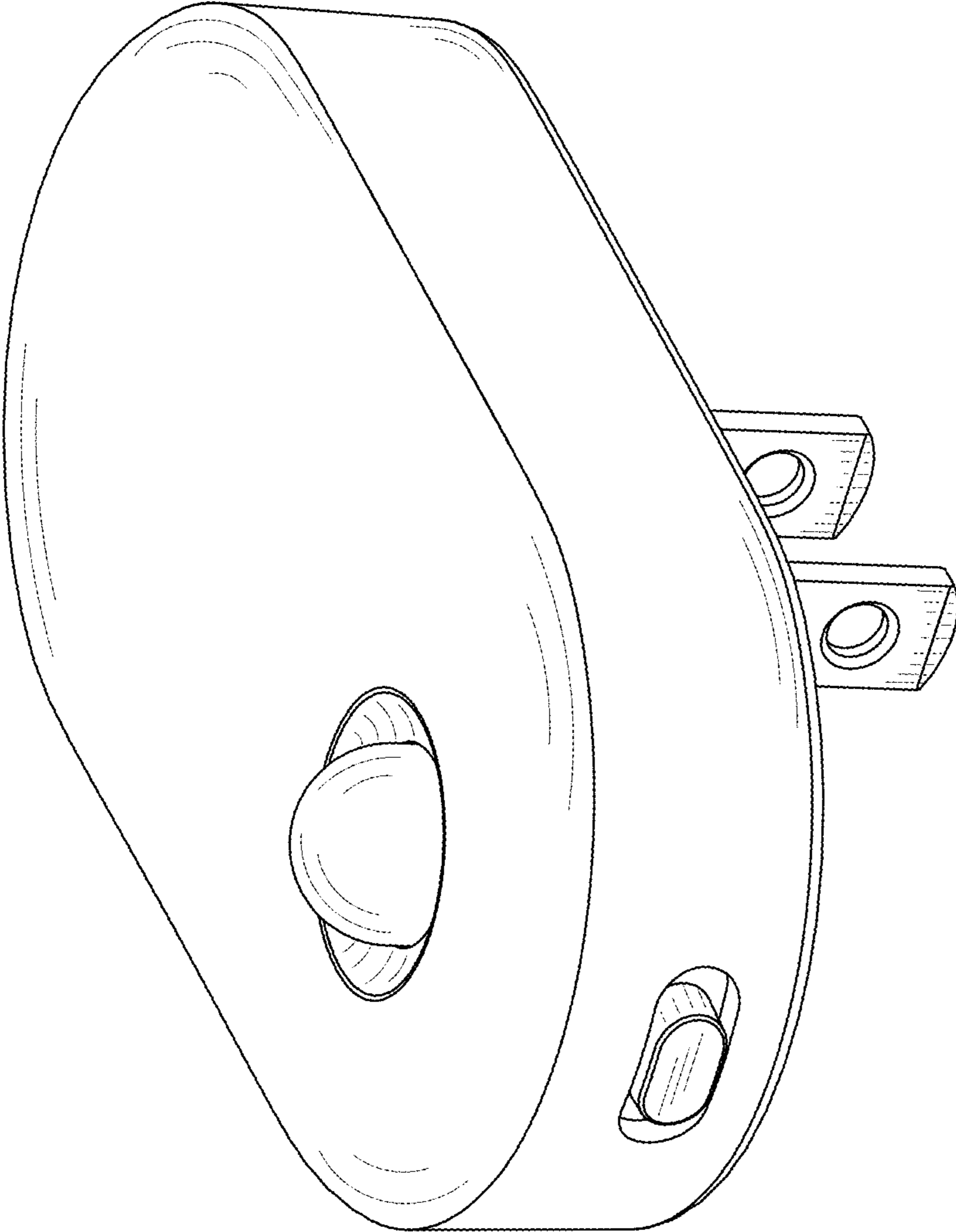


FIG.1

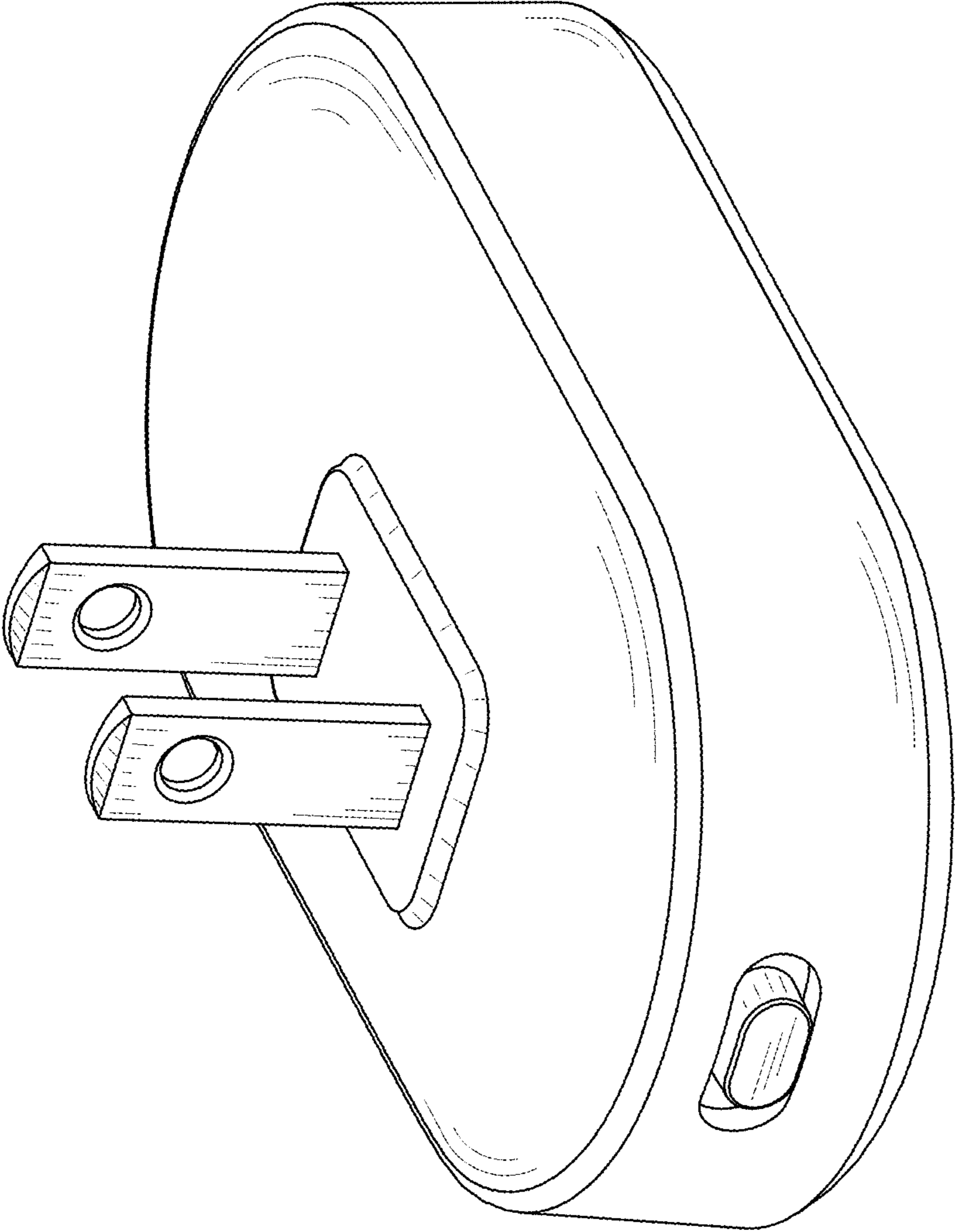


FIG.2

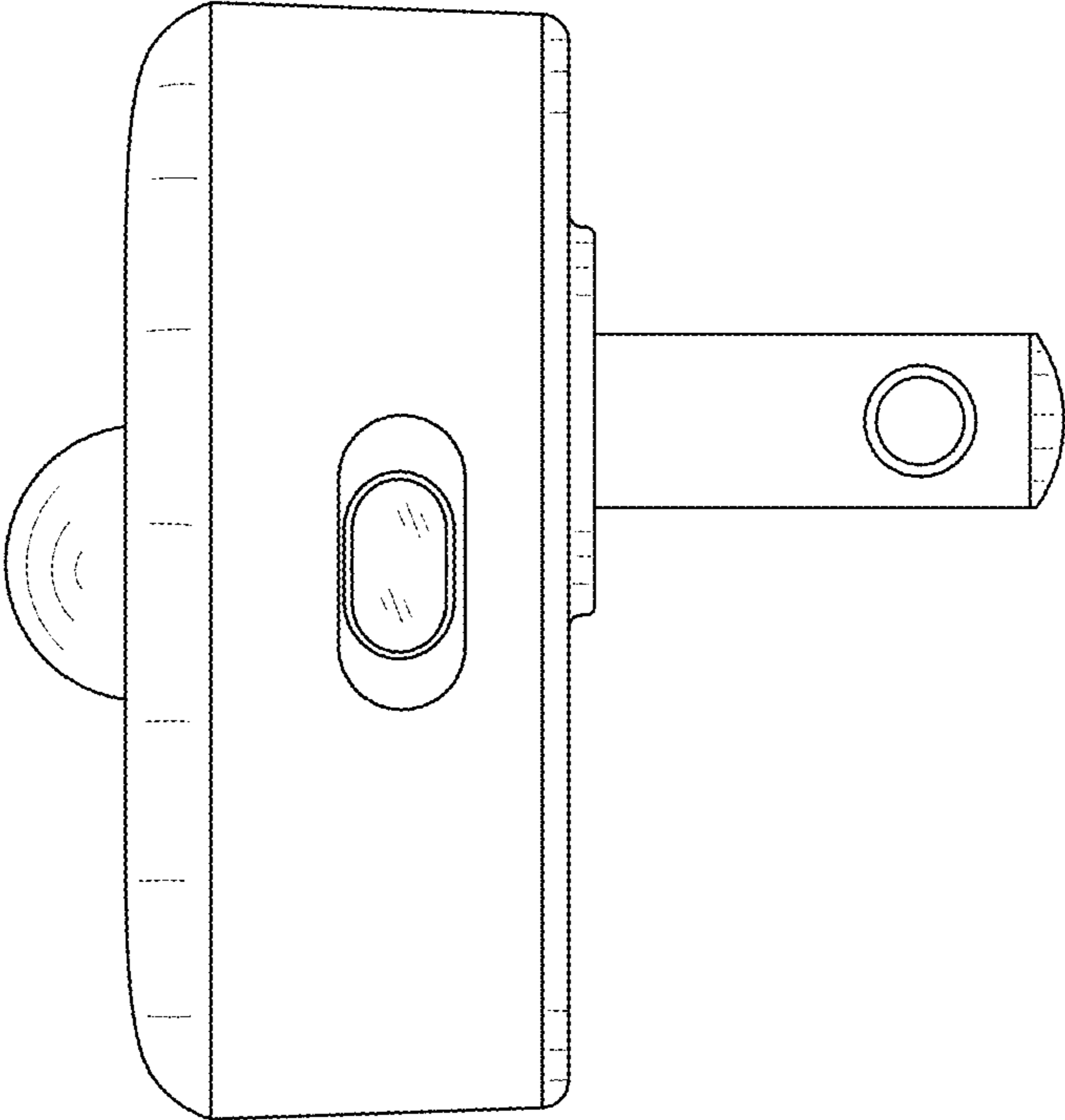


FIG.3

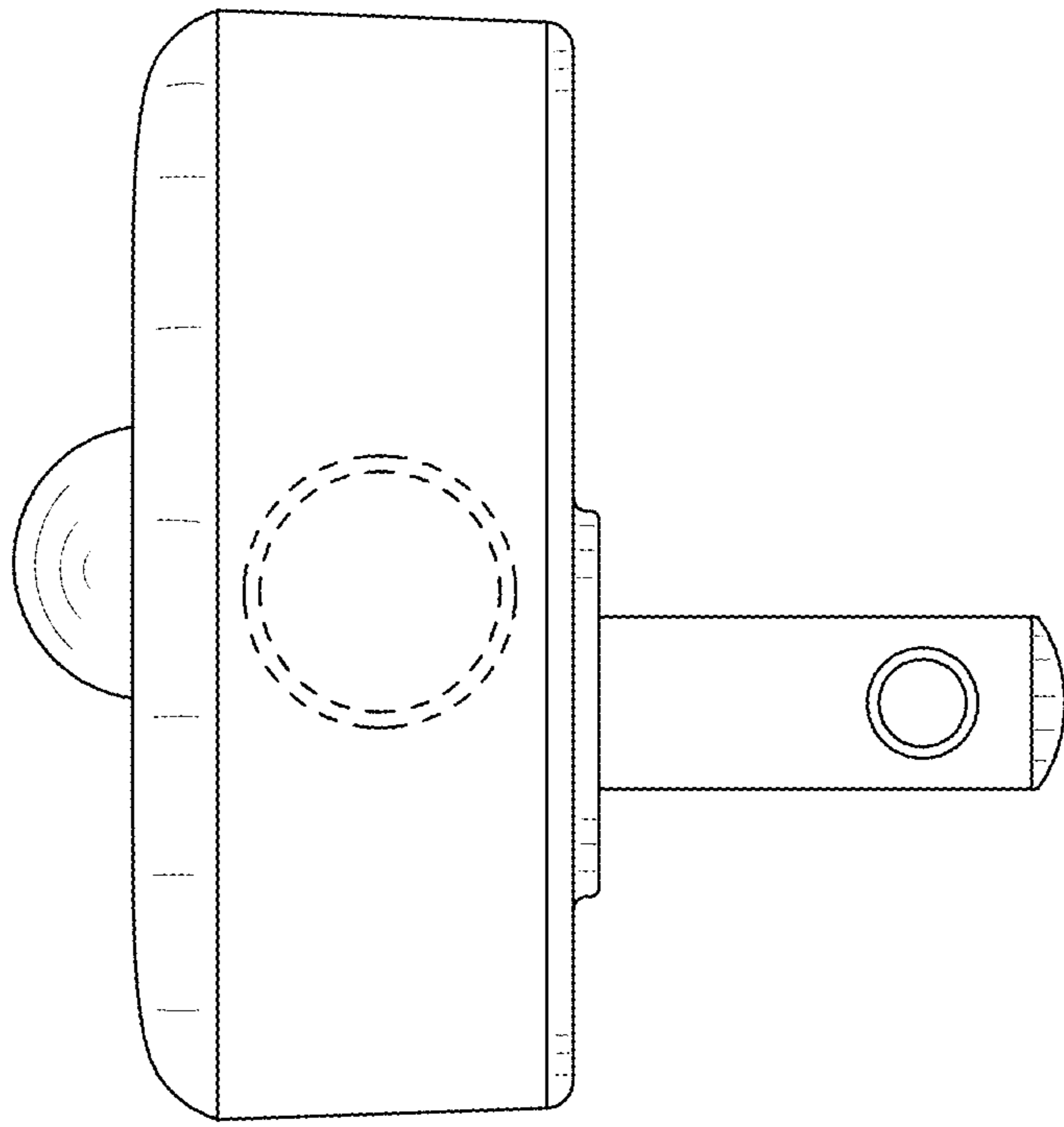


FIG.4

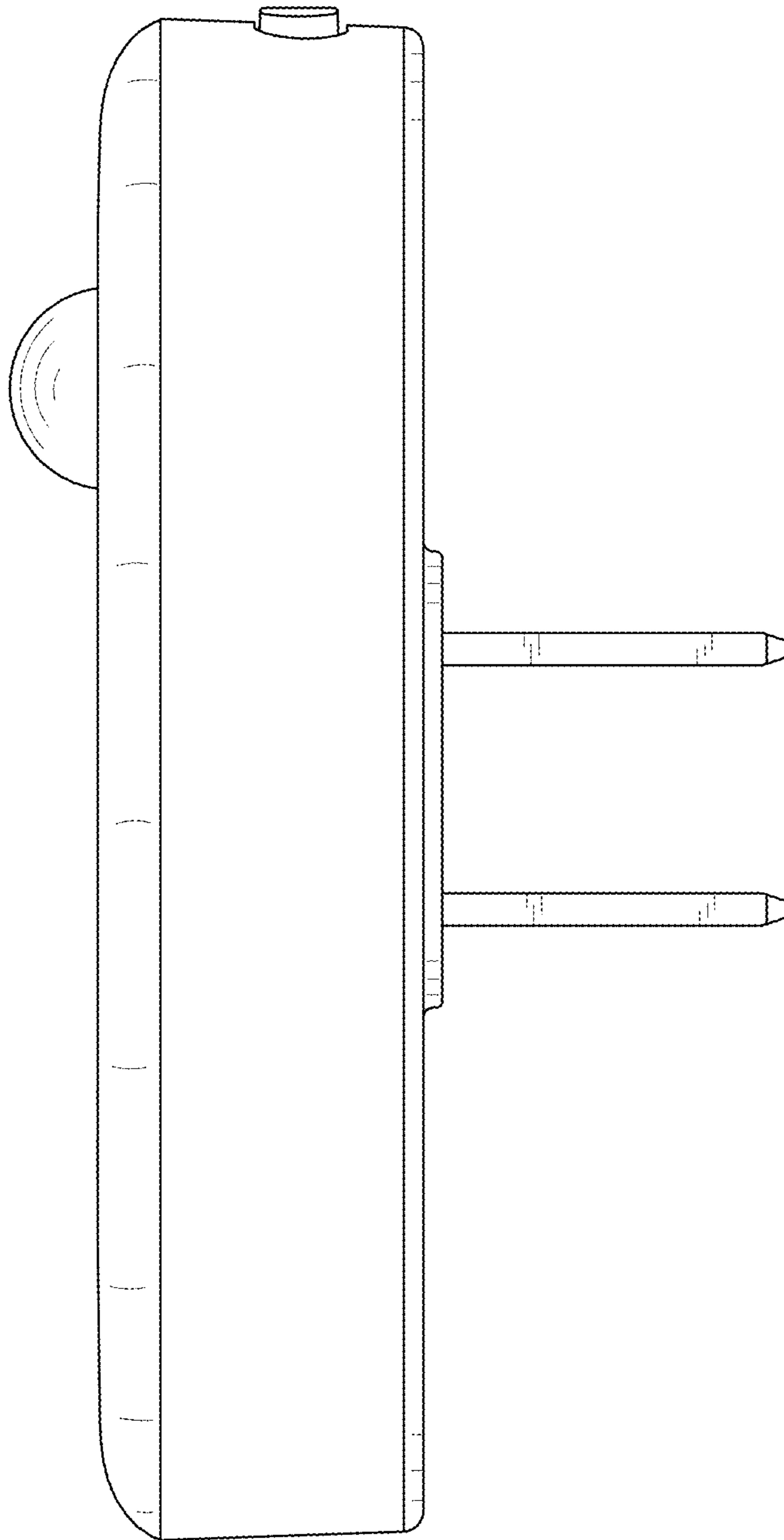


FIG.5

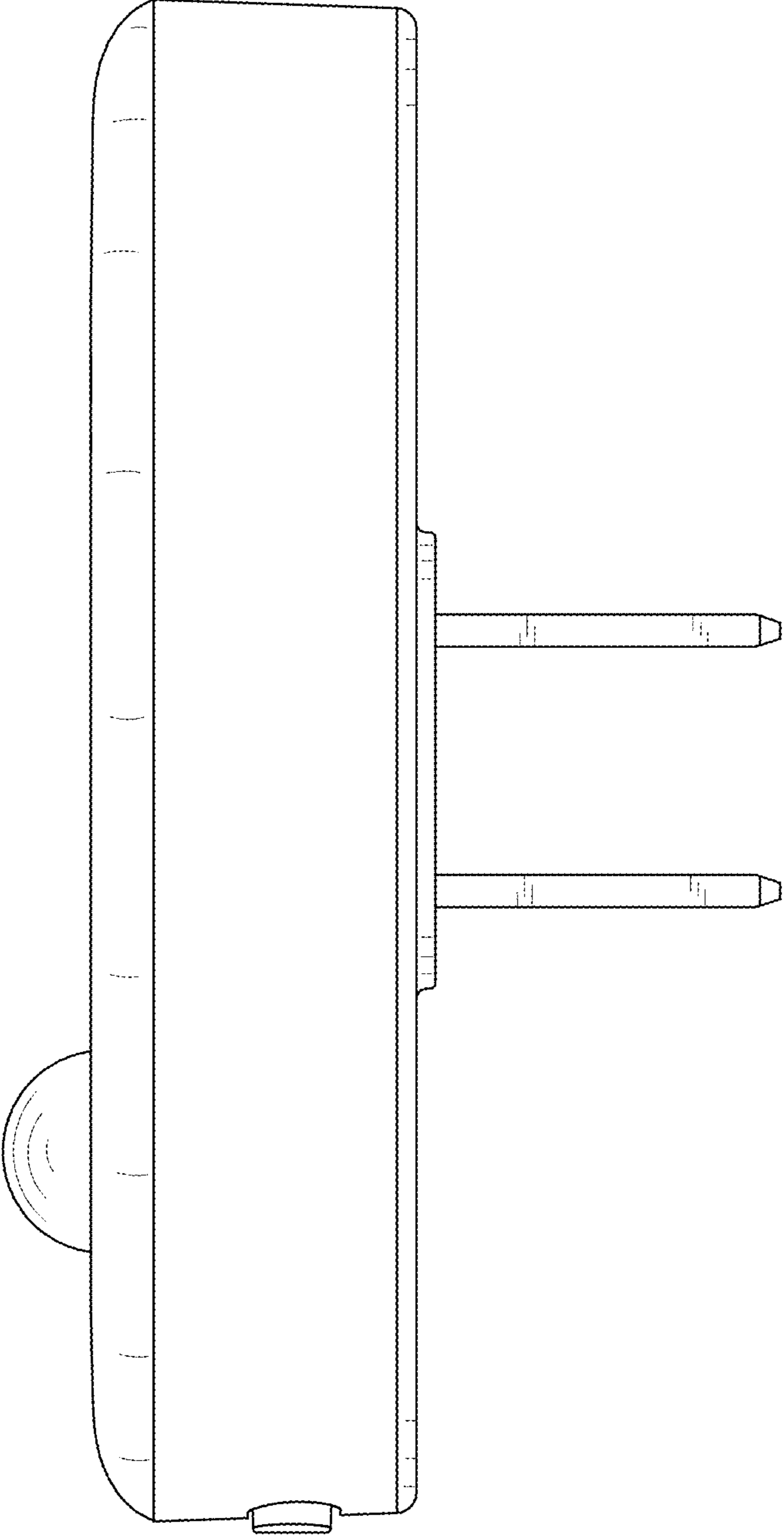


FIG.6

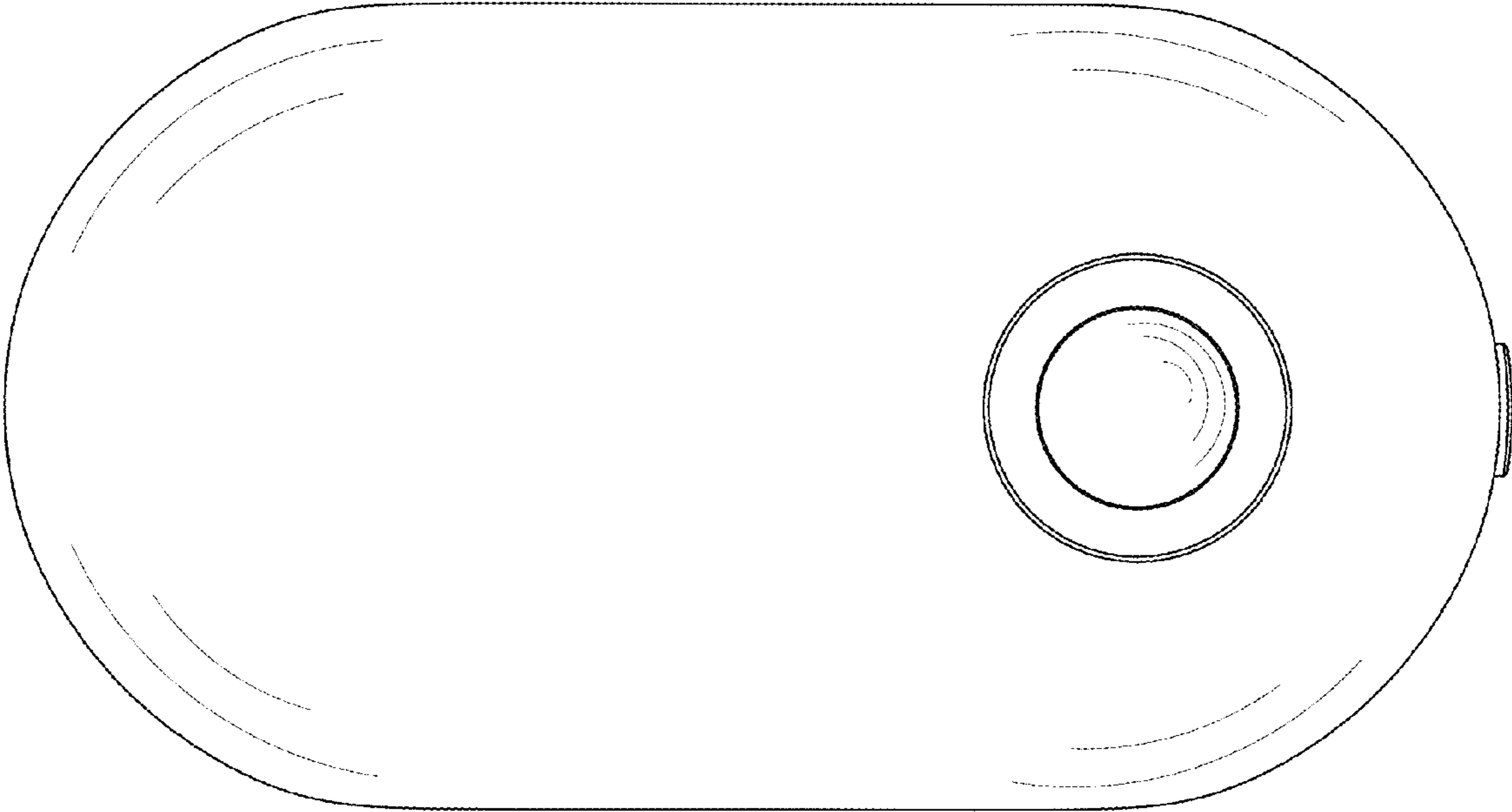


FIG.7

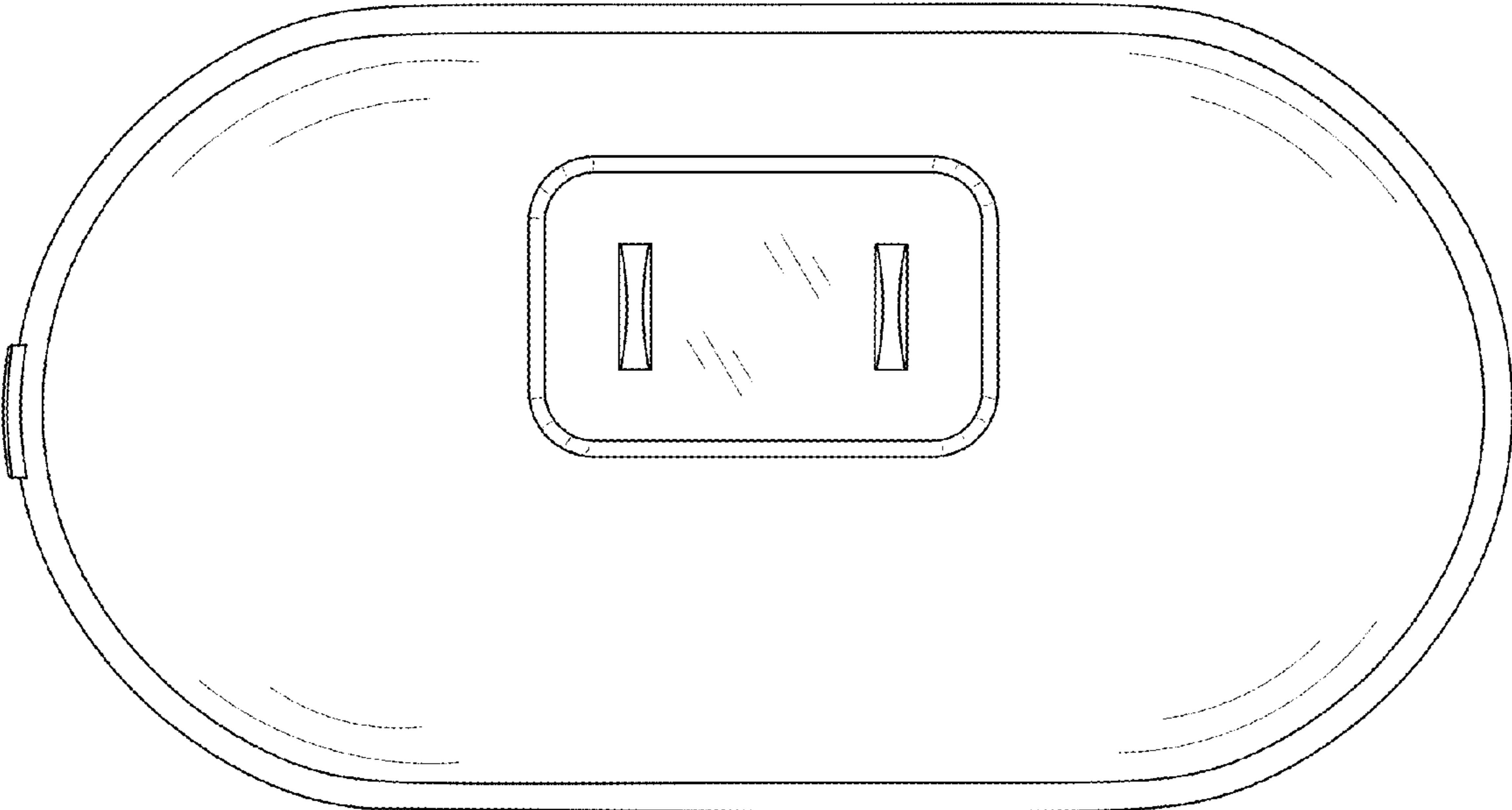


FIG.8