



US00D974599S

(12) **United States Design Patent** (10) **Patent No.:** **US D974,599 S**
Xu (45) **Date of Patent:** **** Jan. 3, 2023**

(54) **STAR LIGHT WATERFALL**

FOREIGN PATENT DOCUMENTS

(71) Applicant: **Shenzhen Greenwin Industrial Co. Ltd**, Shenzhen (CN)

CN 6182955 * 12/2021

(72) Inventor: **Chuanmei Xu**, Tongshan (CN)

OTHER PUBLICATIONS

(**) Term: **15 Years**

Yescom Warm White LED Waterfall Cone, Yescom, <https://www.amazon.com/Yescom-Waterfall-Strings-Christmas-Decoration/dp/B08N6C6S41> ,Dec. 12, 2020 (Year: 2020).*

(21) Appl. No.: **29/801,638**

(Continued)

(22) Filed: **Jul. 29, 2021**

Primary Examiner — Richard Kearney

(51) **LOC (14) Cl.** **26-05**

Assistant Examiner — Benjamin M Weeks

(52) **U.S. Cl.**
USPC **D26/25**

(74) *Attorney, Agent, or Firm* — Rumit Ranjit Kanakia

(58) **Field of Classification Search**
USPC D26/1, 24, 25, 27, 40-44, 90, 113
CPC F21S 8/00; F21S 8/026; F21S 8/038; F21S 8/06; F21S 8/061; F21S 8/063; F21S 8/065; F21S 8/068; F21S 4/00; F21S 4/10; F21S 4/15; F21S 4/20; F21S 4/22; F21S 4/24; F21S 4/26; F21S 4/28

(57) **CLAIM**

The ornamental design for a star light waterfall, as shown and described.

See application file for complete search history.

DESCRIPTION

(56) **References Cited**

U.S. PATENT DOCUMENTS

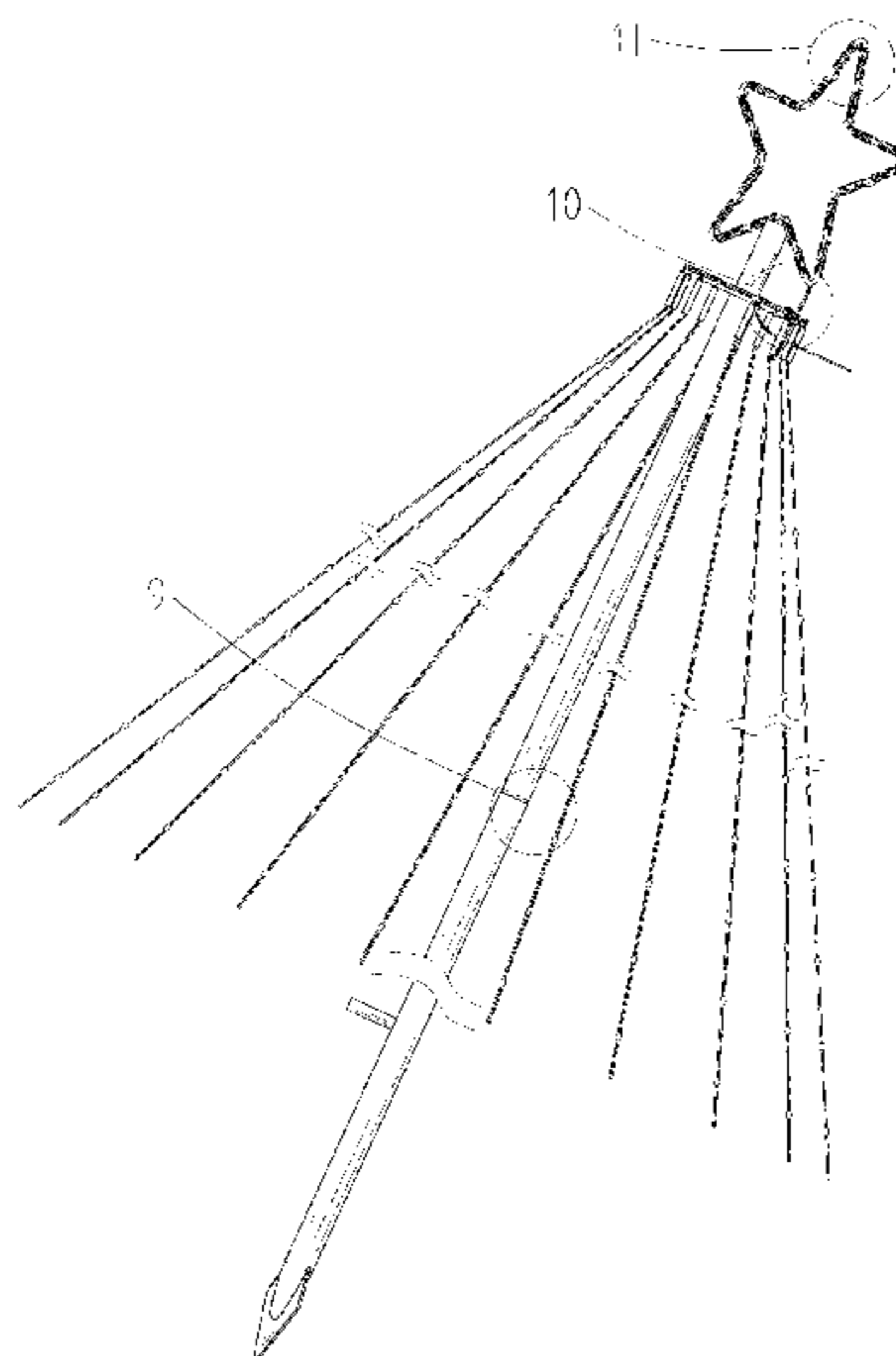
D415,583 S *	10/1999	Byers	D11/124
6,027,228 A *	2/2000	Adams	F21V 21/0824
				362/249.11
6,179,442 B1 *	1/2001	Schurle	F21S 4/10
				362/249.17
6,652,927 B1 *	11/2003	Chen	F21S 4/10
				428/9
D565,209 S	3/2008	Van Dyn Hoven		
D660,998 S	5/2012	Rehahn		
9,797,584 B2 *	10/2017	Andretta-Pulera ...	F21V 21/088	
D851,315 S	6/2019	Chen		
D863,595 S *	10/2019	Liao	D26/80
D885,635 S *	5/2020	Cao	D26/81
10,641,470 B1 *	5/2020	Smyth	F21V 21/0816
D888,293 S *	6/2020	Xie	D26/1
D914,927 S *	3/2021	Liu	D26/25
D915,642 S *	4/2021	Anderson	D26/25

(Continued)

FIG. 1 is a first perspective view of a star light waterfall showing my new design;
FIG. 2 is a second perspective view thereof;
FIG. 3 is a front view thereof;
FIG. 4 is a back view thereof;
FIG. 5 is a left side view thereof;
FIG. 6 is a right side view thereof;
FIG. 7 is a top view thereof;
FIG. 8 is a bottom view thereof;
FIG. 9 is an enlarged view of the selected portion in FIG. 1;
FIG. 10 is an enlarged view of the selected portion in FIG. 1; and,
FIG. 11 is an enlarged view of the selected portion in FIG. 1.

The broken lines shown in the drawings depict portions of the star light waterfall in which the design is embodied that form no part of the claimed design.

1 Claim, 11 Drawing Sheets



(56)

References Cited

U.S. PATENT DOCUMENTS

D924,448 S * 7/2021 Zhou D26/21
D925,077 S * 7/2021 Yang D26/25
D925,783 S * 7/2021 Xiao D26/25
D935,681 S * 11/2021 Gong D26/81
11,193,658 B1 * 12/2021 Yablonsky F21S 4/10
D957,696 S * 7/2022 Yu D11/121
D962,493 S * 8/2022 Xu D26/1
D962,494 S * 8/2022 Zheng D26/1
D962,495 S * 8/2022 Yu D11/121
D962,496 S * 8/2022 Yu D11/121
D962,497 S * 8/2022 Yu D11/121
2006/0227549 A1 * 10/2006 Cheng F21S 4/10
362/249.19
2018/0187840 A1 * 7/2018 Chen F21S 4/10

OTHER PUBLICATIONS

Mega Tree Kit, WowLights, <https://web.archive.org/web/20160120150759/http://www.wowlights.com:80/ProductDetail.asp?Category=20&Product=183> , retrieved Apr. 12, 2022 (Year: 2022).*

* cited by examiner

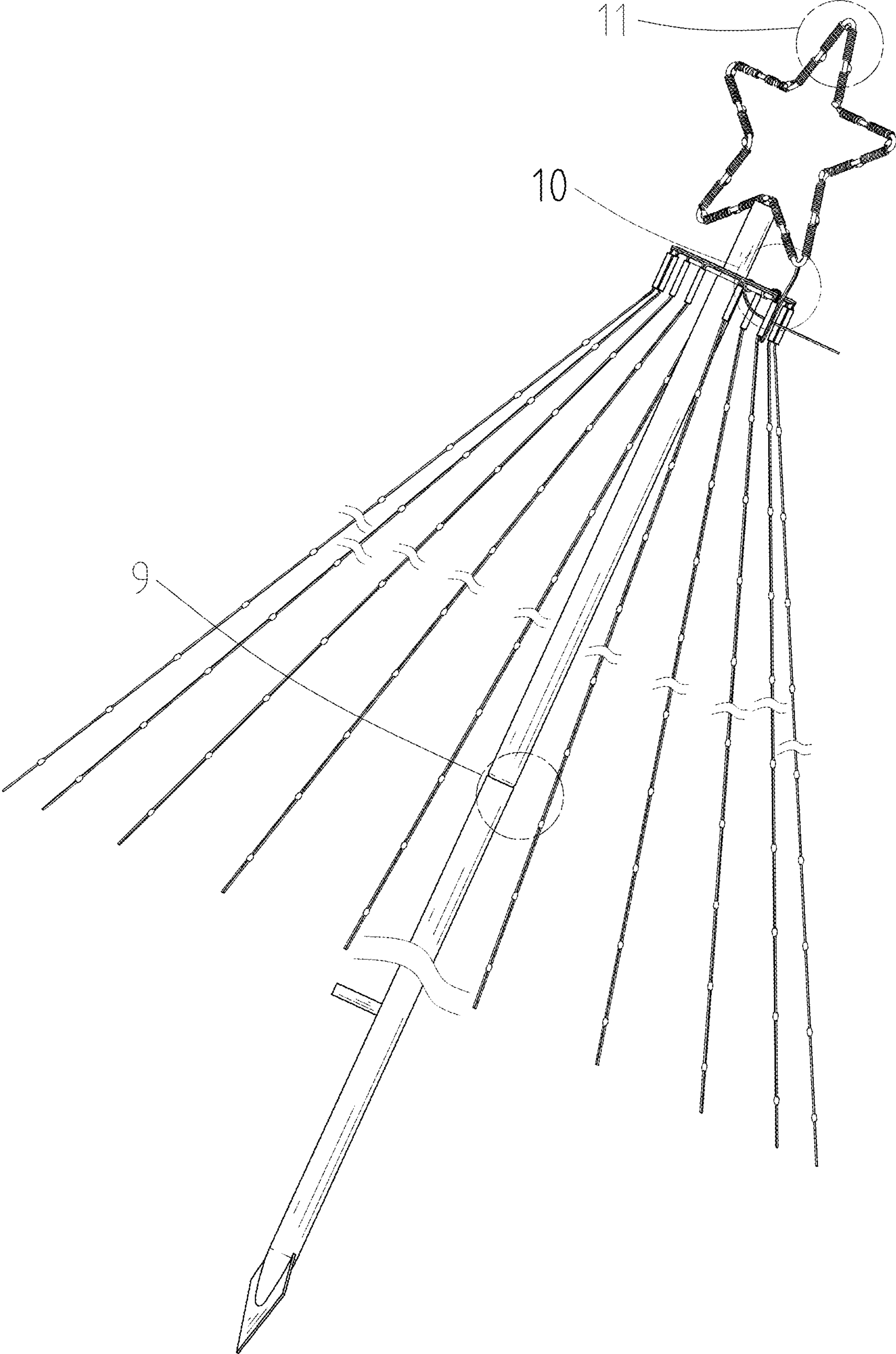


FIG. 1

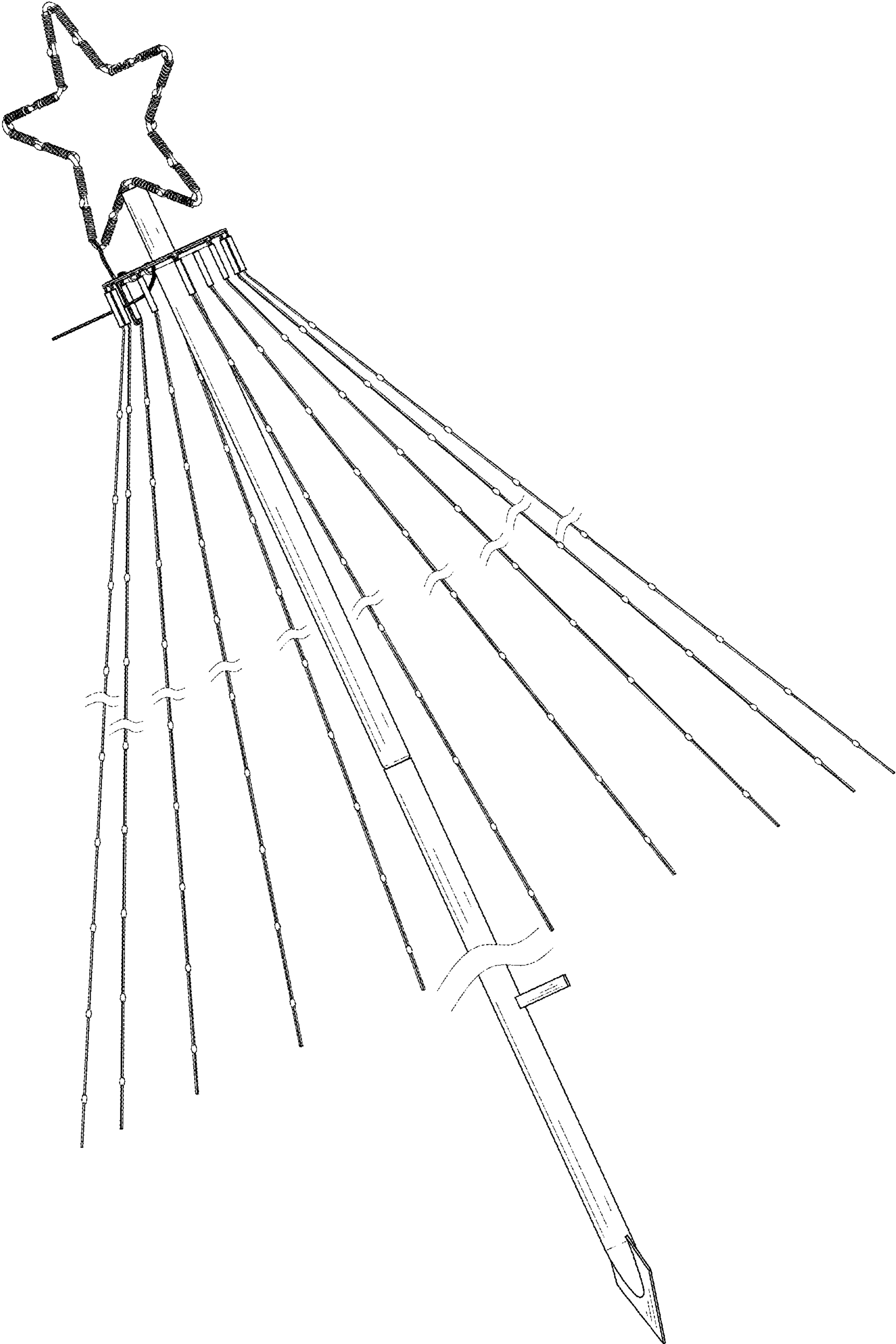


FIG. 2

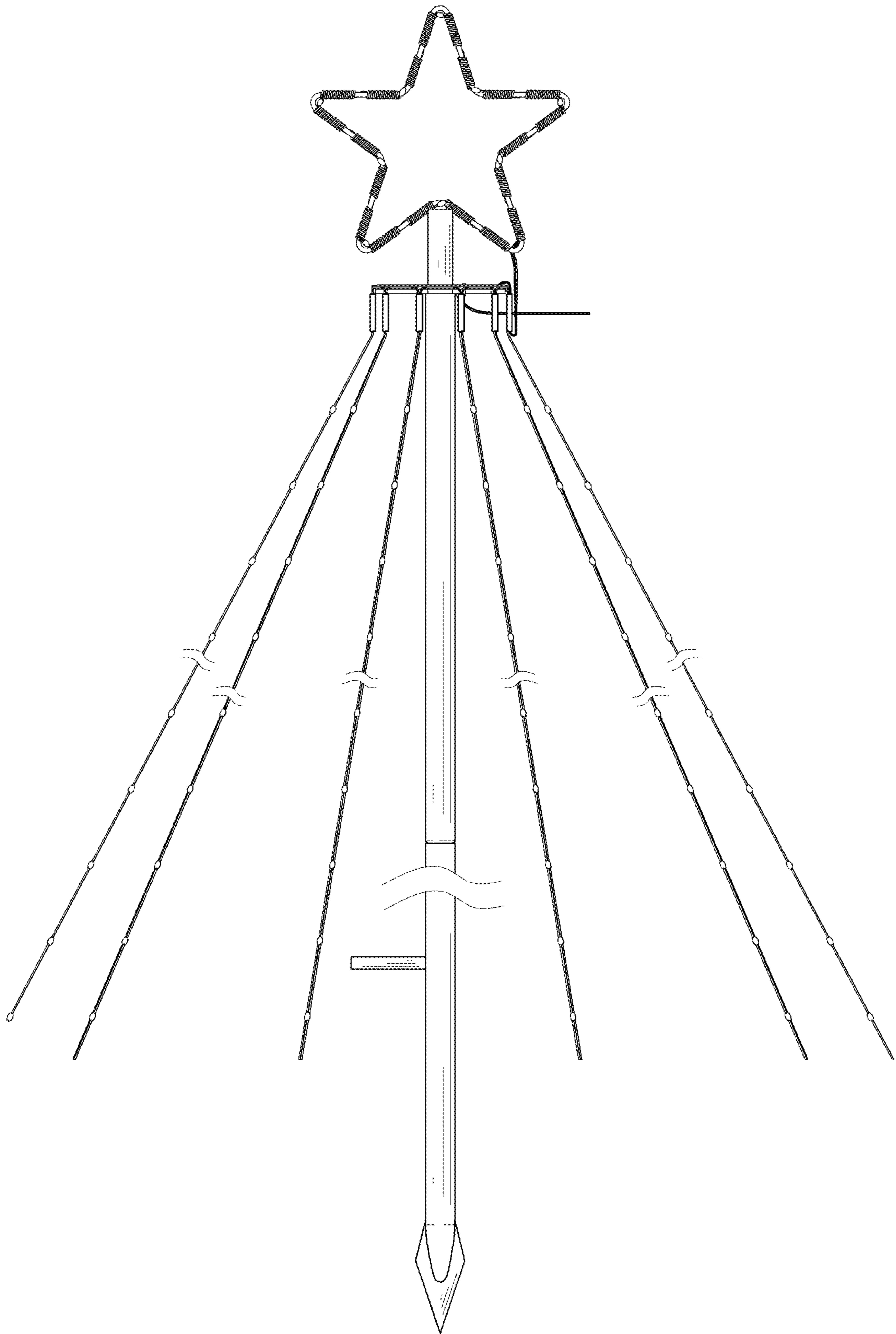


FIG. 3

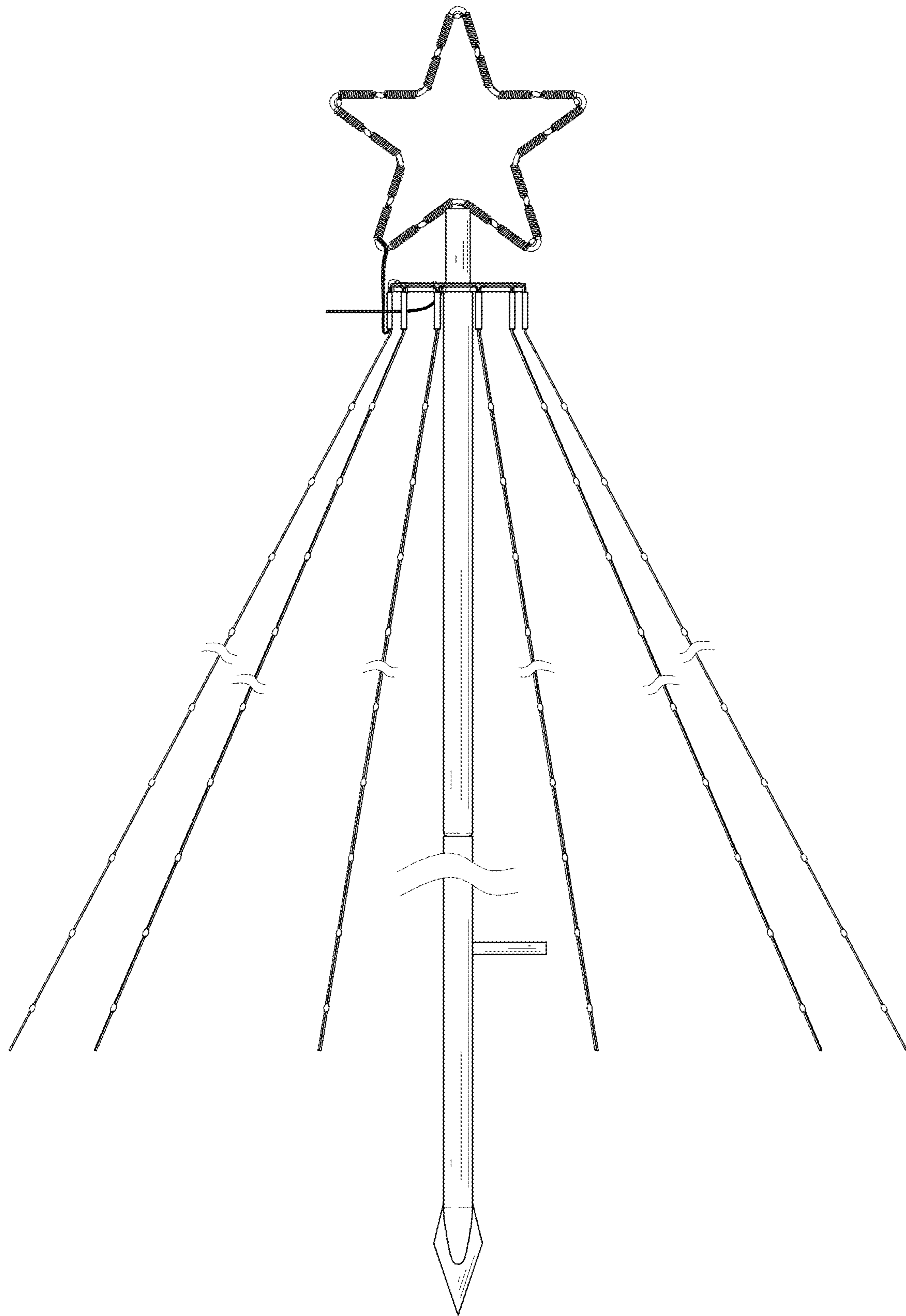


FIG. 4

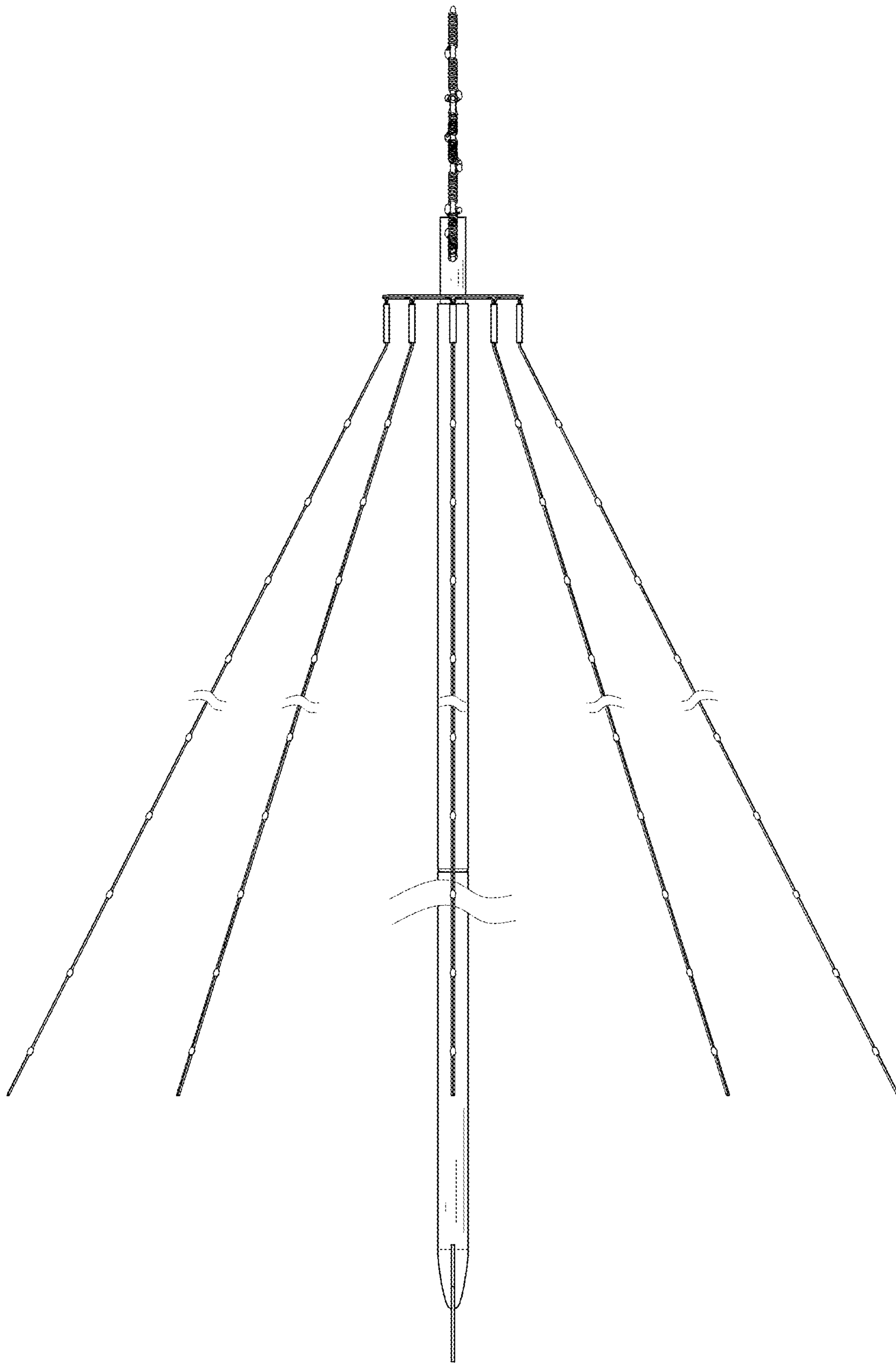


FIG. 5

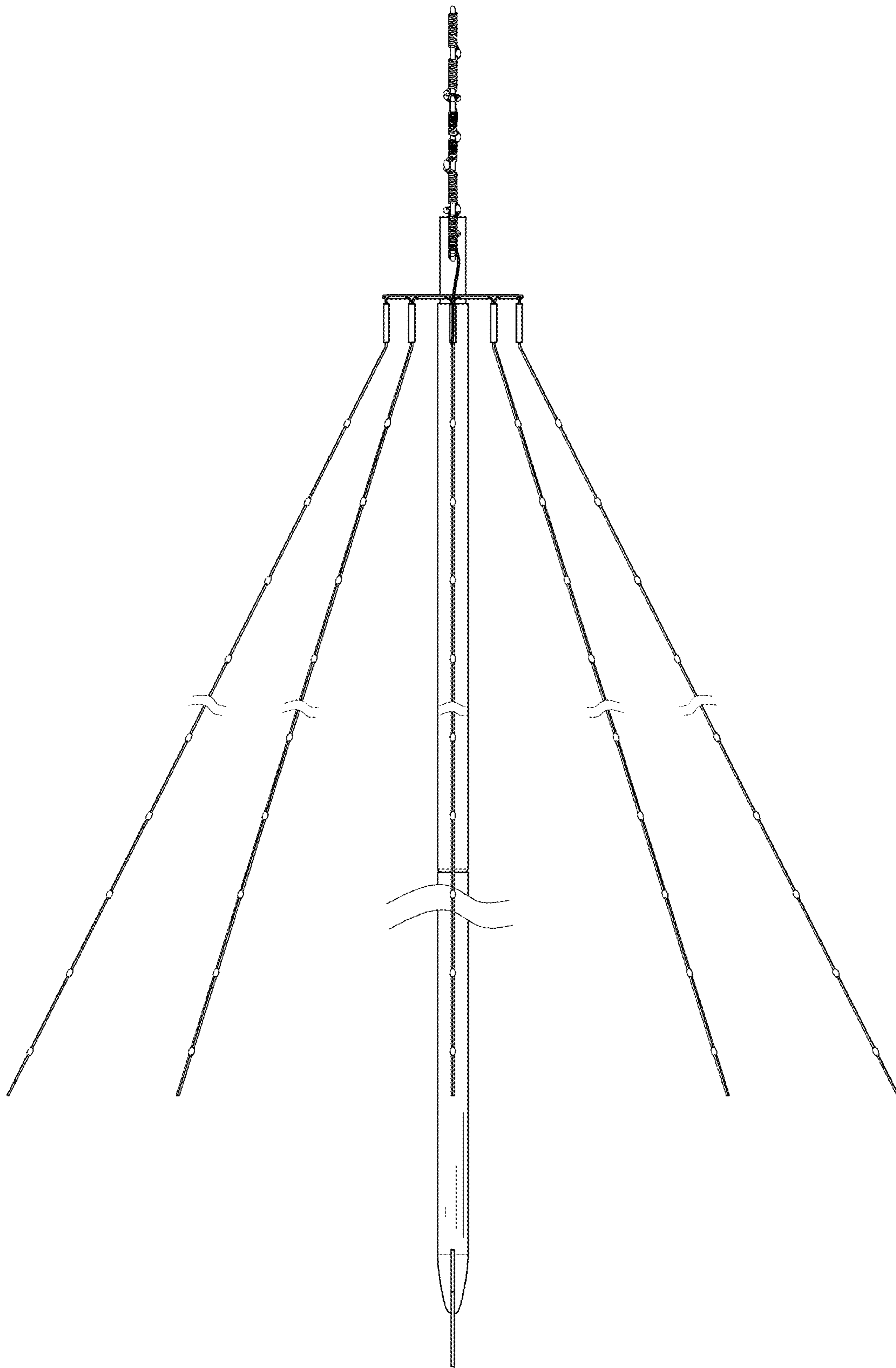


FIG. 6

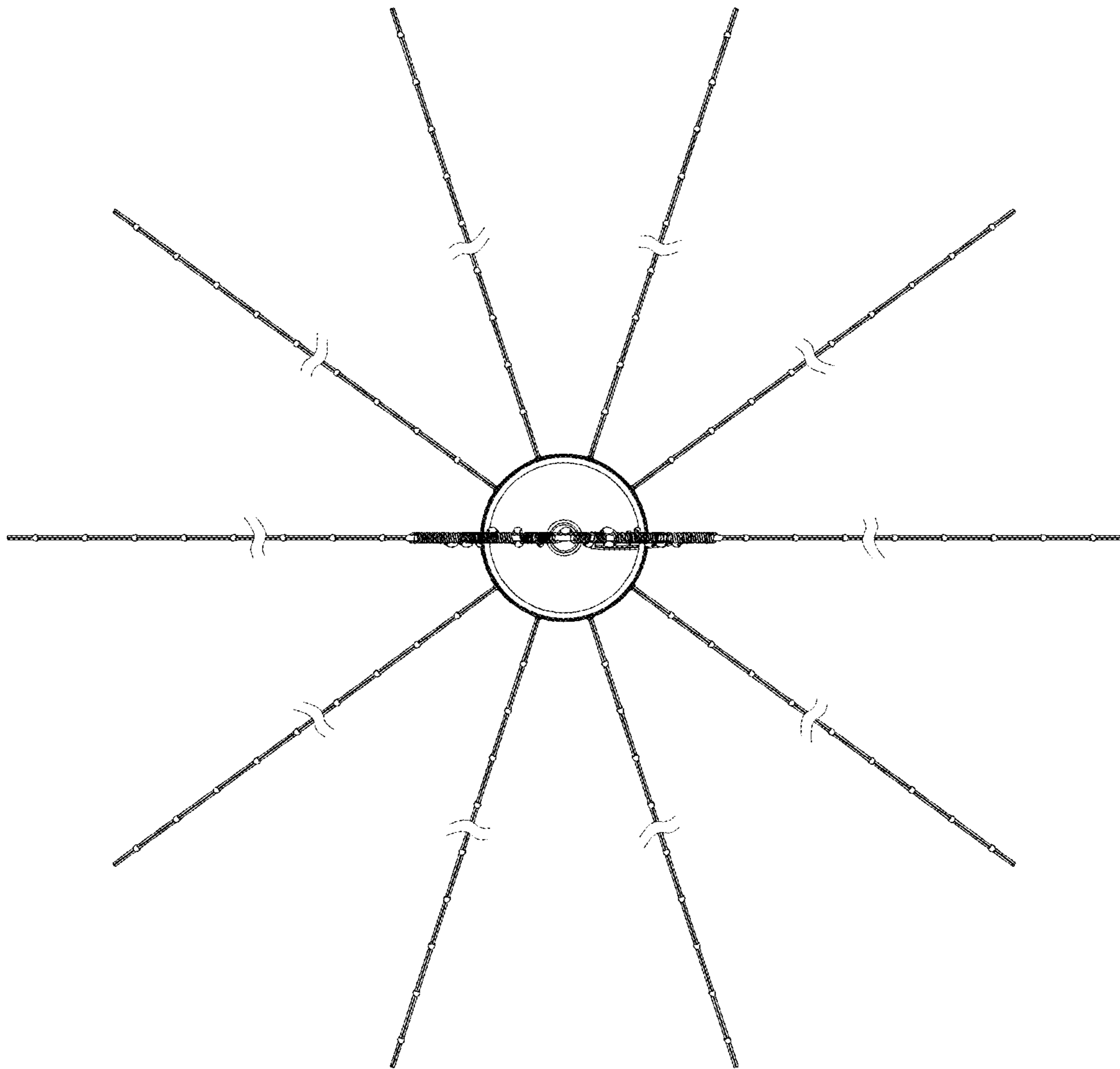


FIG. 7

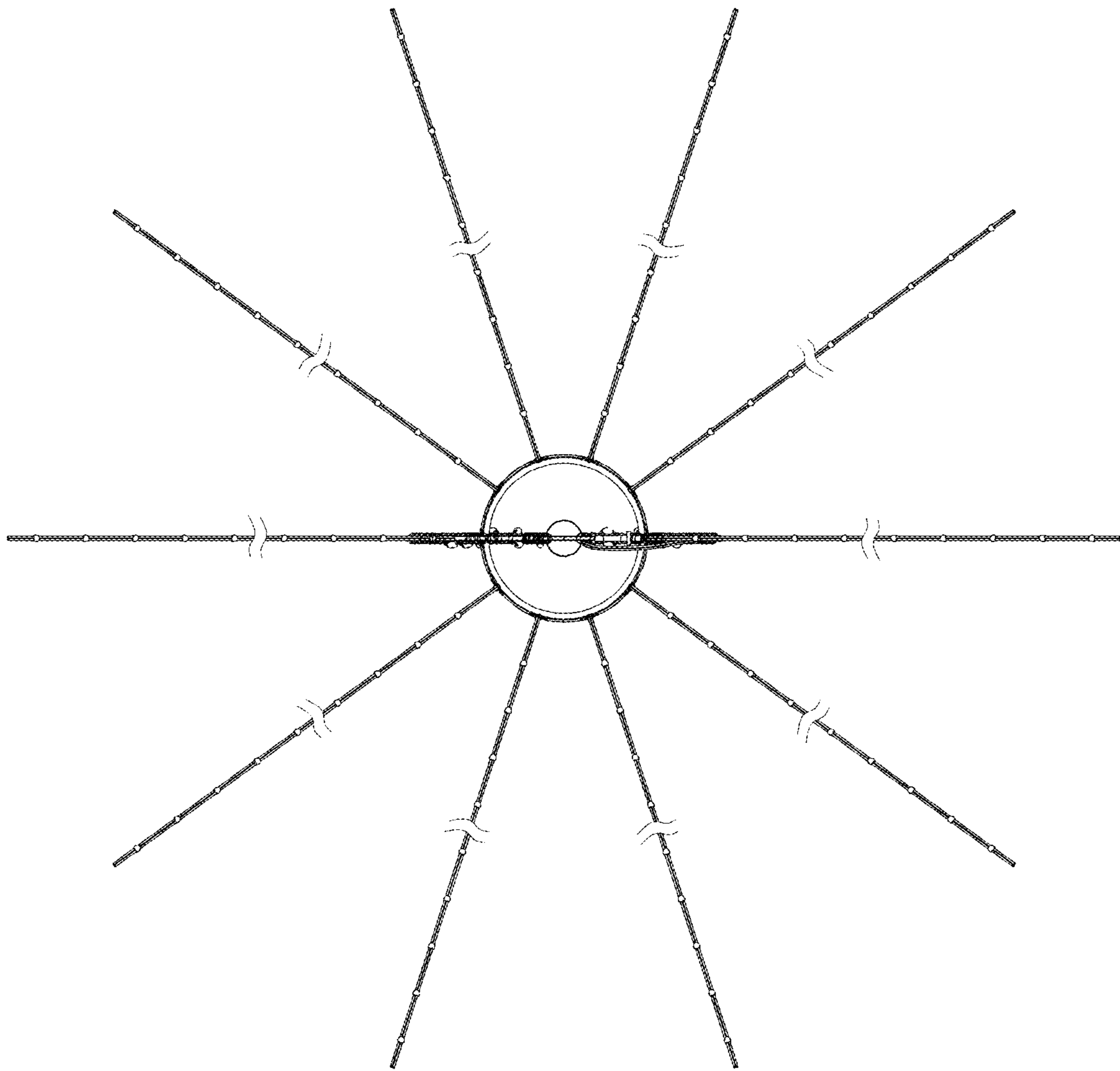


FIG. 8

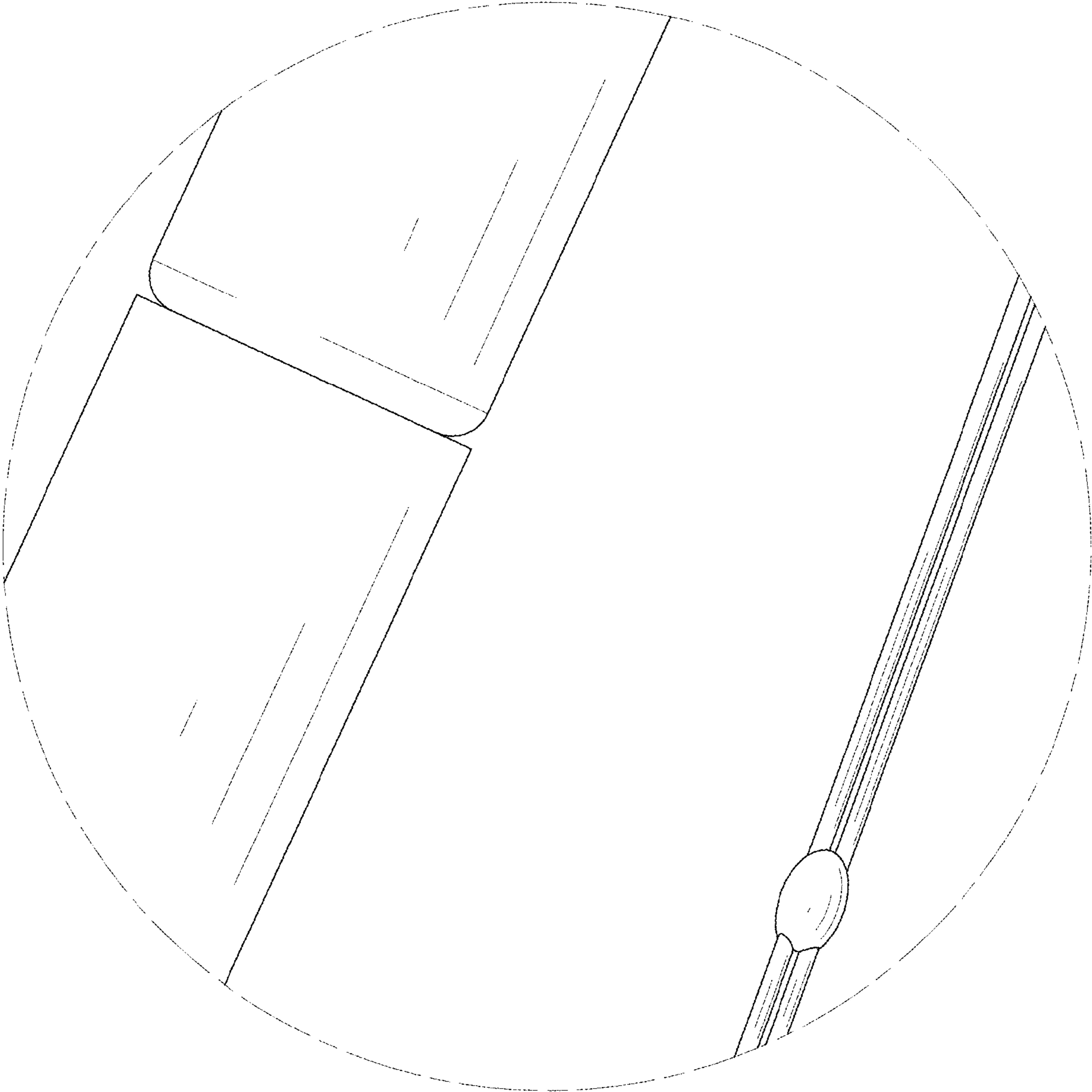


FIG. 9

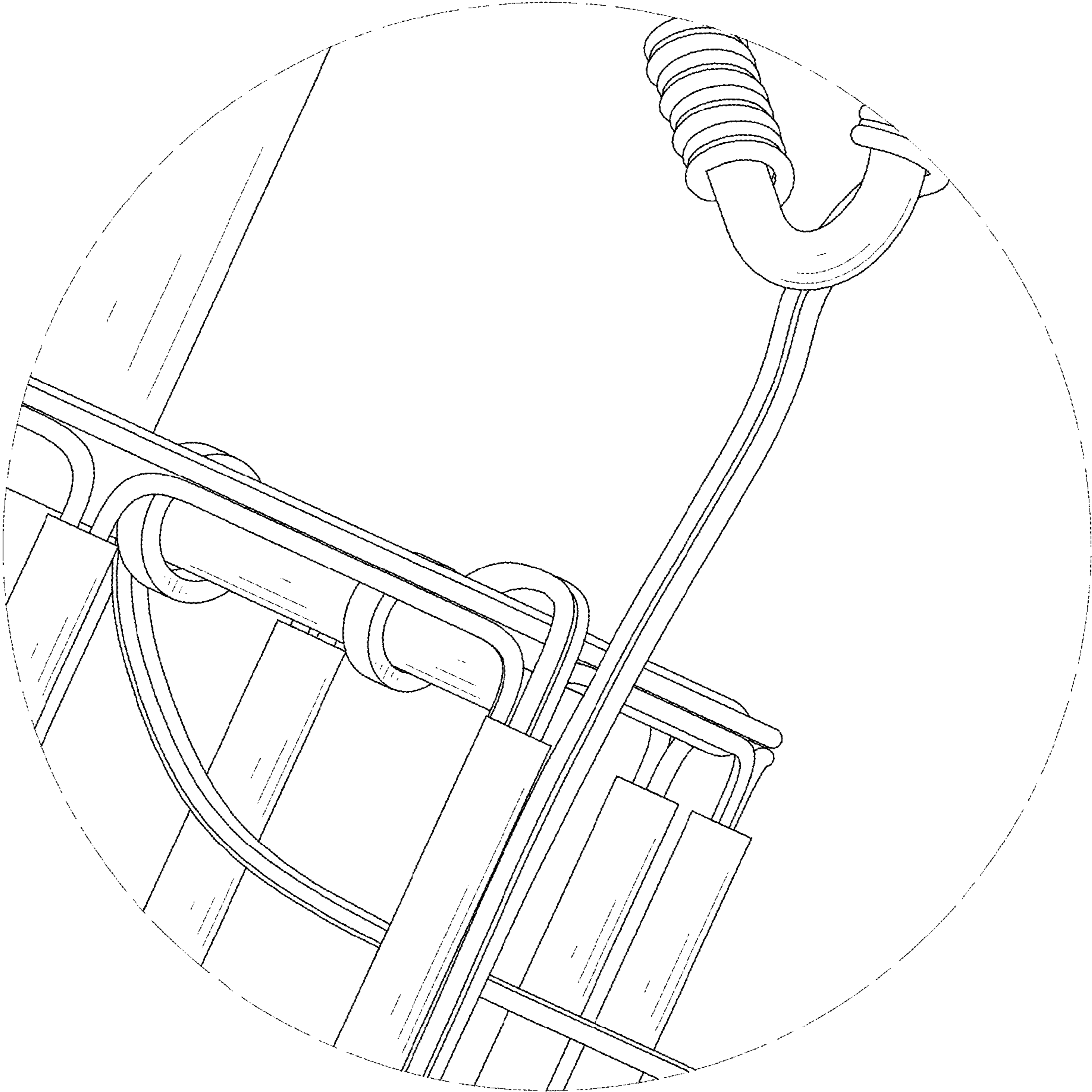


FIG. 10

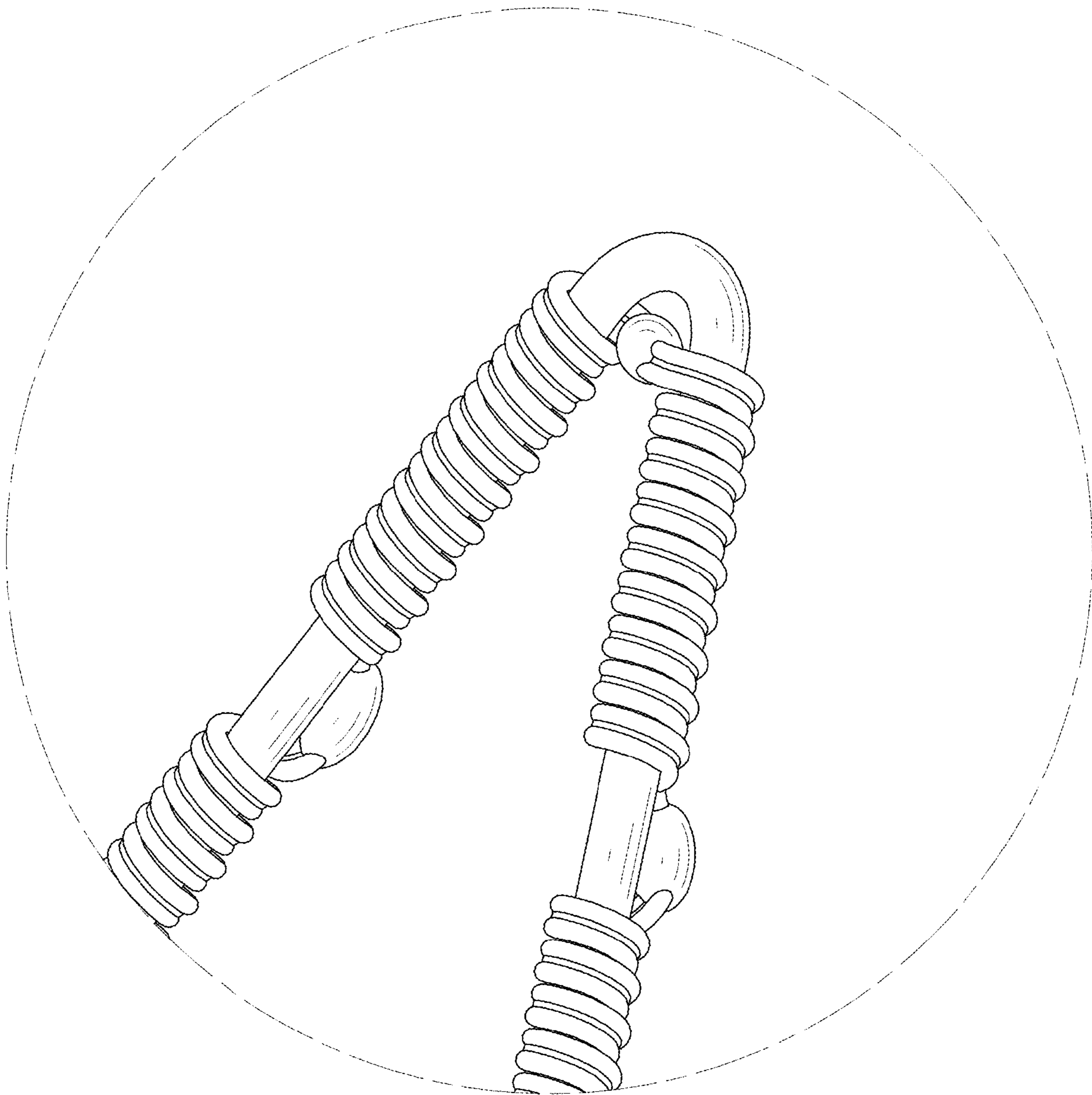


FIG. 11