



US00D974598S

(12) **United States Design Patent**  
**Hu**

(10) **Patent No.:** **US D974,598 S**  
(45) **Date of Patent:** **\*\* Jan. 3, 2023**

(54) **STRING LIGHT**

(71) Applicant: **Shenzhen Lingtuo Intelligent Technology Co., Ltd., Shenzhen (CN)**

(72) Inventor: **Peipei Hu, Shenzhen (CN)**

(\*\*) Term: **15 Years**

(21) Appl. No.: **29/784,561**

(22) Filed: **May 20, 2021**

(51) **LOC (14) Cl.** ..... **26-04**

(52) **U.S. Cl.**  
USPC ..... **D26/25**

(58) **Field of Classification Search**  
USPC ..... D26/1, 2, 4, 24, 25, 27, 113, 118  
CPC ..... F21S 4/00; F21S 4/10; F21S 4/15; F21S 4/20; F21K 9/00; F21W 2121/00; F21W 2121/04; A44C 15/0015  
See application file for complete search history.

(56) **References Cited**

**U.S. PATENT DOCUMENTS**

D382,355 S *	8/1997	Oetken	.....	D26/2
D383,226 S	9/1997	Odien		
D386,445 S	11/1997	Odierna		
5,722,860 A *	3/1998	Pan	.....	H01R 33/09 439/619
D400,272 S	10/1998	Mount		
D406,248 S	3/1999	Prineppi		
D413,173 S	8/1999	Mount		
D416,637 S	11/1999	Mount		
D425,217 S *	5/2000	Oetken	.....	F21V 31/005 D26/2
D439,991 S	4/2001	Wong		
D440,674 S	4/2001	Nichols		
D458,699 S	6/2002	Gilbert		
6,595,657 B1 *	7/2003	Shieh	.....	H01R 33/09 439/699.2
7,094,111 B1 *	8/2006	Qingbiao	.....	H01R 13/506 362/653

7,241,032 B2 *	7/2007	Qingbiao	.....	F21V 19/0005 439/375
D564,682 S	3/2008	Voss		
8,070,347 B1 *	12/2011	Lin	.....	F21S 4/10 362/656
8,746,953 B1 *	6/2014	Shao	.....	F21V 31/005 362/651
D869,013 S *	12/2019	Zhu	.....	H01R 33/09 D26/25

(Continued)

**OTHER PUBLICATIONS**

Funpeny C6 Christmas String Lights, Jul. 5, 2020, Amazon.com, site visited Jun. 7, 2022, url: <https://www.amazon.com/dp/B08CXW8V49/> (Year: 2020).\*

(Continued)

*Primary Examiner* — T Chase Nelson

*Assistant Examiner* — Rachel Wolfe

(74) *Attorney, Agent, or Firm* — Rumit Ranjit Kanakia

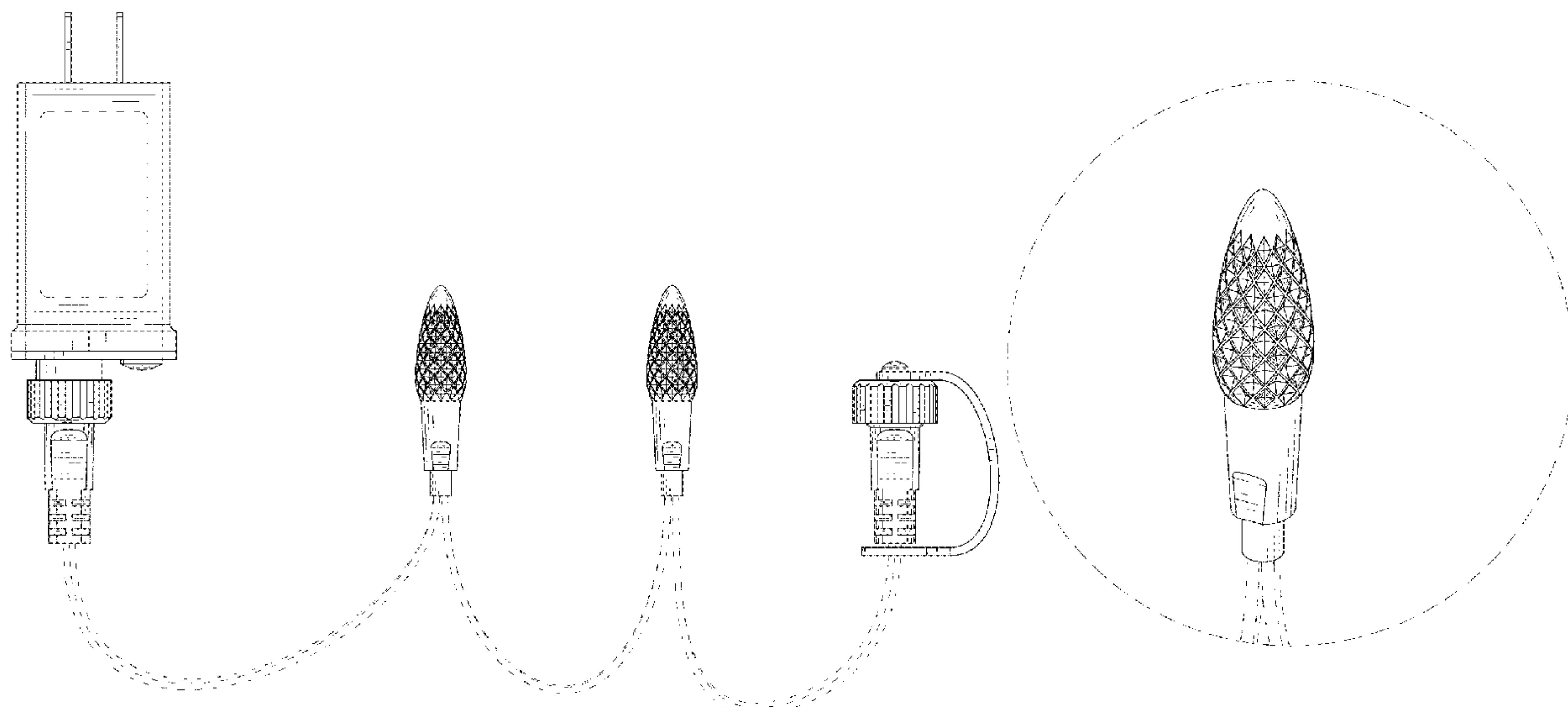
(57) **CLAIM**

The ornamental design for a string light, as shown and described.

**DESCRIPTION**

FIG. 1 is a front elevational view of a string light showing my new design;  
FIG. 2 is a rear elevational view thereof;  
FIG. 3 is a left side view thereof;  
FIG. 4 is a right side view thereof;  
FIG. 5 is a top plan view thereof;  
FIG. 6 is a bottom plan view thereof;  
FIG. 7 is a perspective view thereof;  
FIG. 8 is another perspective view thereof; and,  
FIG. 9 is a partial enlarged view of FIG. 7.  
The broken lines in the figures are for the purposes of illustrating portions of the string light, which form no part of the claimed design.

**1 Claim, 9 Drawing Sheets**



(56)

References Cited

U.S. PATENT DOCUMENTS

D880,022 S \* 3/2020 Gong ..... F21V 3/02  
D26/25  
10,627,096 B2 \* 4/2020 Bukkems ..... F21V 5/02  
10,753,595 B1 \* 8/2020 Wan ..... F21V 3/02  
D919,127 S \* 5/2021 Zhou ..... D26/4  
D919,132 S \* 5/2021 Du ..... F21S 4/10  
D26/25  
D940,918 S \* 1/2022 Wang ..... D26/4  
D951,495 S \* 5/2022 He ..... H01R 13/506  
D26/25  
2007/0159822 A1 \* 7/2007 Lin ..... F21V 19/0005  
362/249.16  
2009/0067197 A1 \* 3/2009 Shao ..... F21S 6/001  
362/654  
2009/0080195 A1 \* 3/2009 Huang ..... F21V 31/005  
362/267  
2009/0251923 A1 \* 10/2009 Yu ..... F21V 31/005  
362/653  
2013/0051079 A1 \* 2/2013 Xu ..... F21S 4/10  
362/640  
2014/0126219 A1 \* 5/2014 Fan ..... F21V 3/00  
362/311.13  
2017/0336063 A1 \* 11/2017 Leung ..... F21V 3/00

OTHER PUBLICATIONS

Twinkle Star C6 Christmas String Lights, Jun. 8, 2020, Amazon.co.uk, site visited Aug. 12, 2021, url: <https://www.amazon.co.uk/dp/B089SK2G3P> (Year: 2020).\*

Brizled Christmas Tree Lights, May 5, 2021, Amazon.com, site visited Jun. 7, 2022, url: <https://www.amazon.com/dp/B0946LHRYD/?th=1> (Year: 2021).\*

Dylyna Christmas Lights String Lights, Apr. 17, 2021, Amazon.com, site visited Jun. 7, 2022, url: <https://www.amazon.com/dp/B092SF2VGZ> (Year: 2021).\*

Brizled Color Changing Christmas Lights, 33ft 100 LED C6 Christmas Lights Outdoor, Connectable Christmas String Lights Remote, Warm White & Multicolor Tree Lights Waterproof for Xmas Tree Party Home, Amazon.com, May 5, 2021, Brizled, <https://www.amazon.com/dp/B0946LVBFC> (Last Accessed: Sep. 14, 2022).

\* cited by examiner

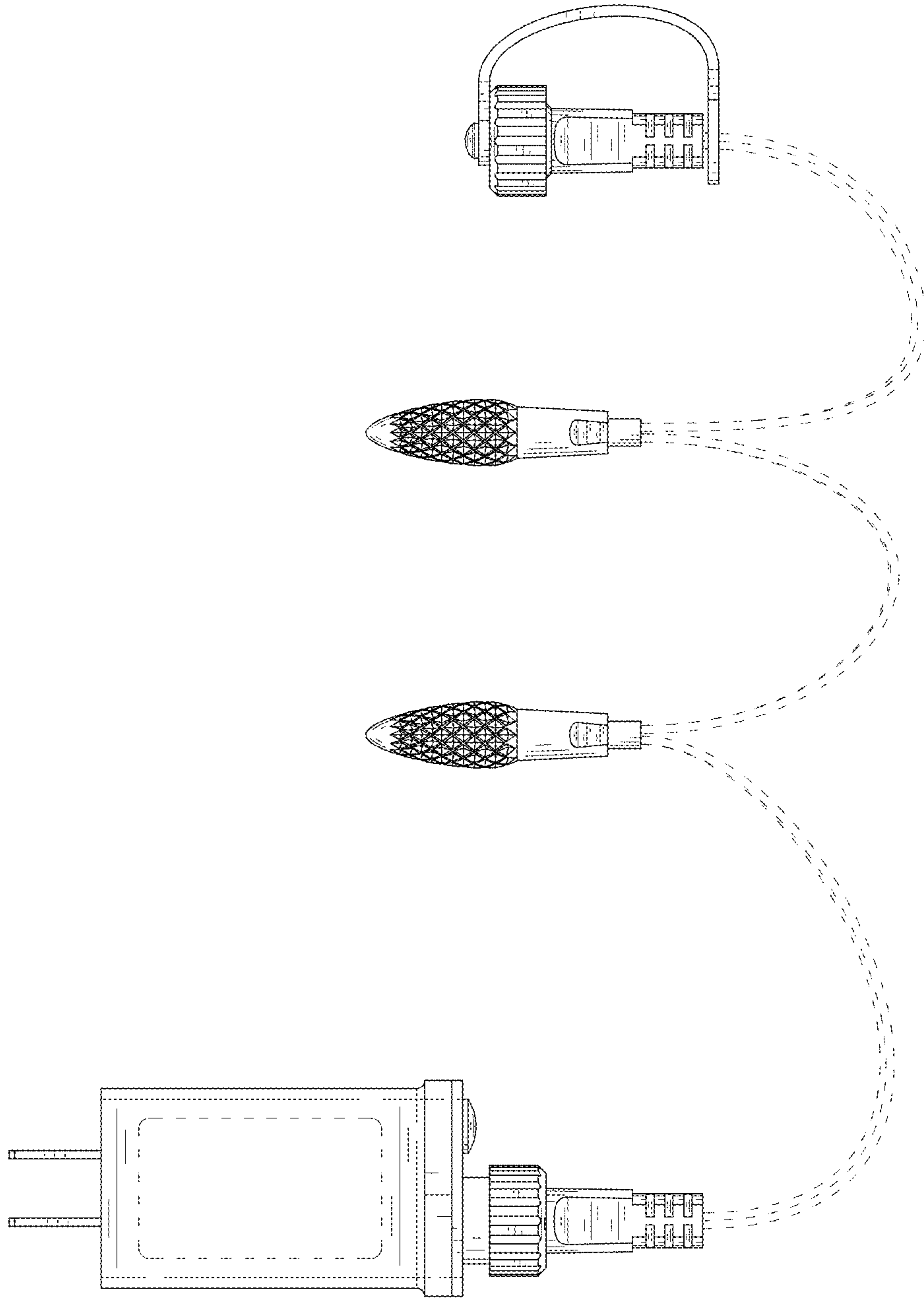


FIG. 1

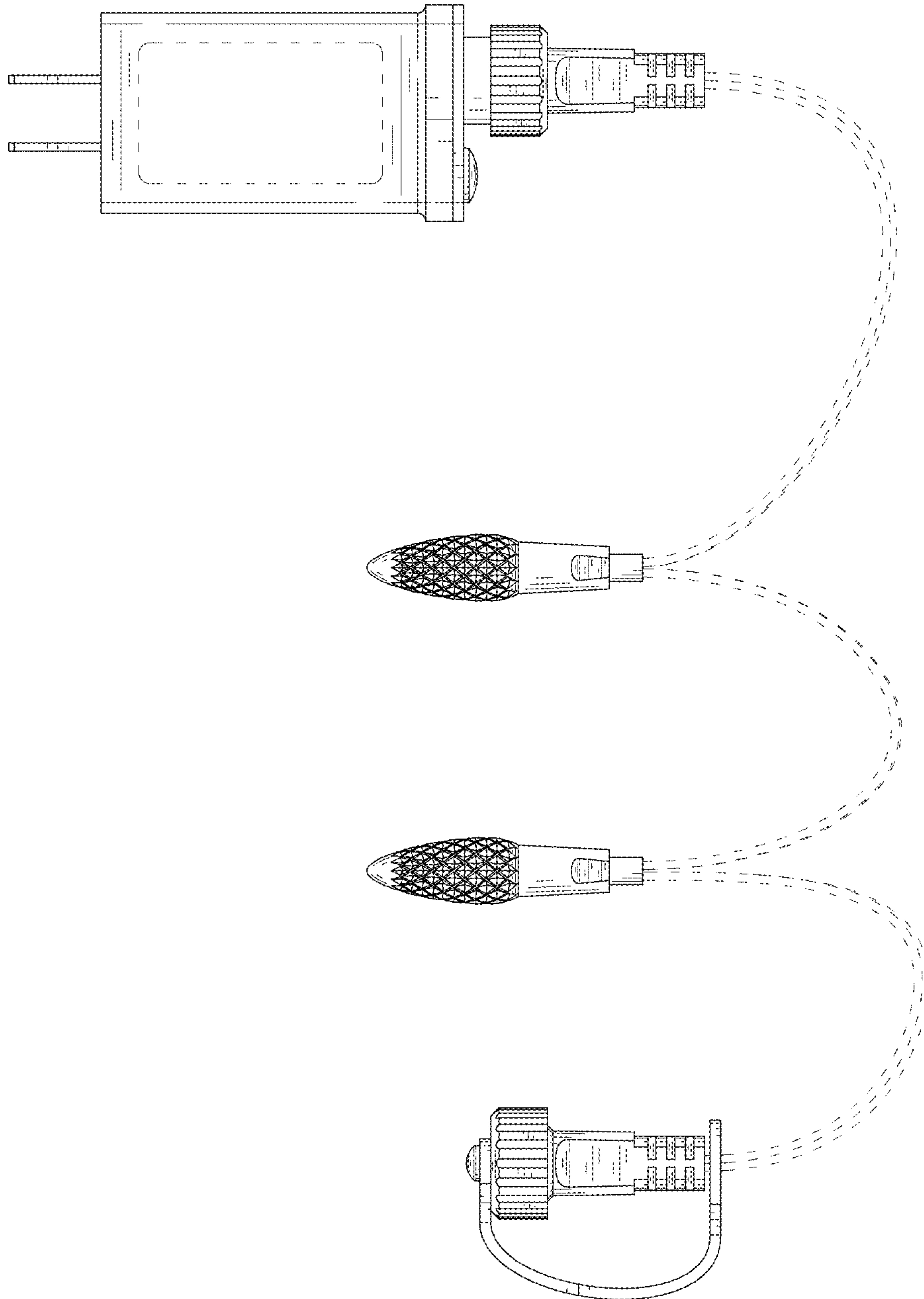


FIG. 2

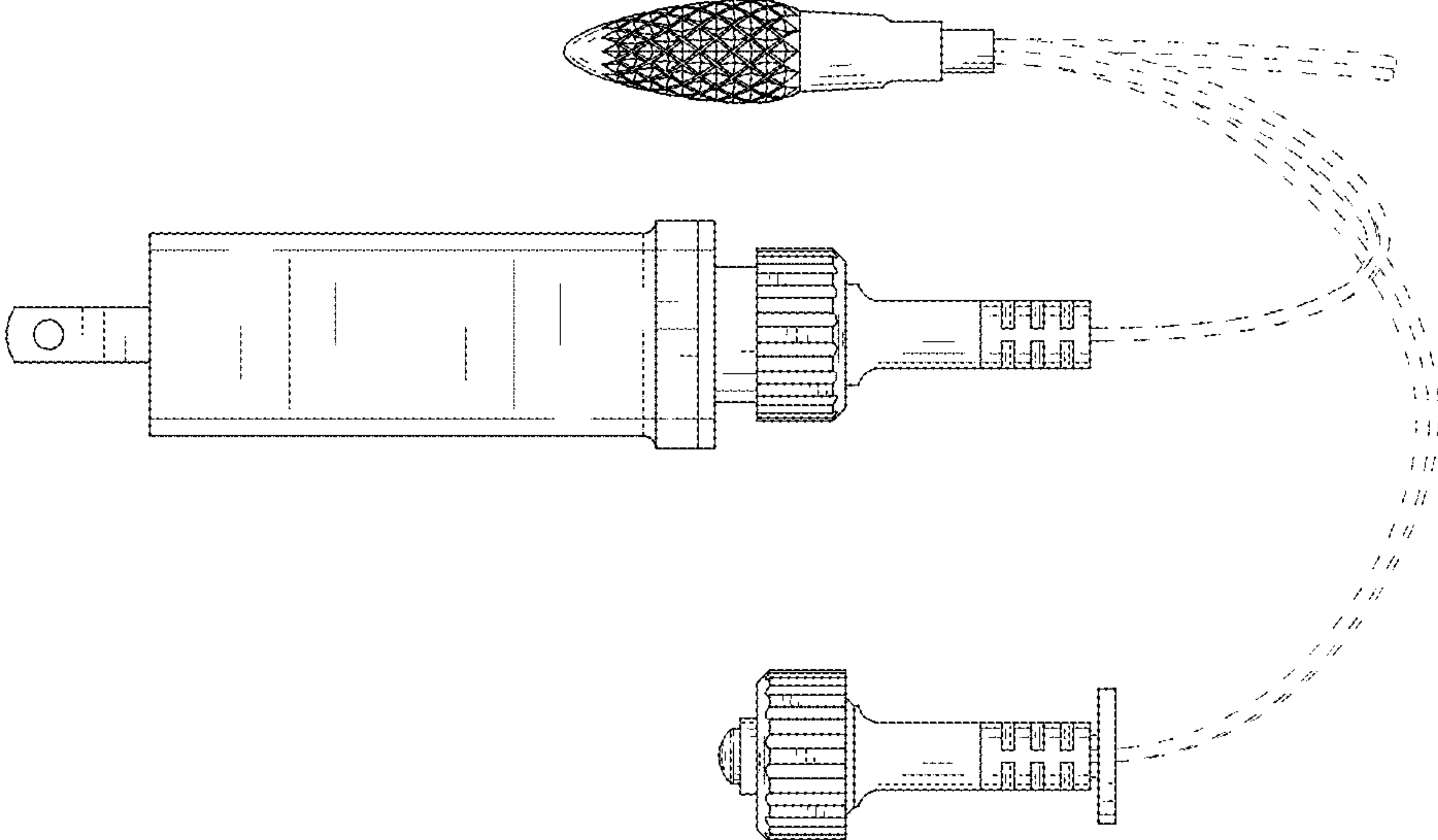


FIG. 3

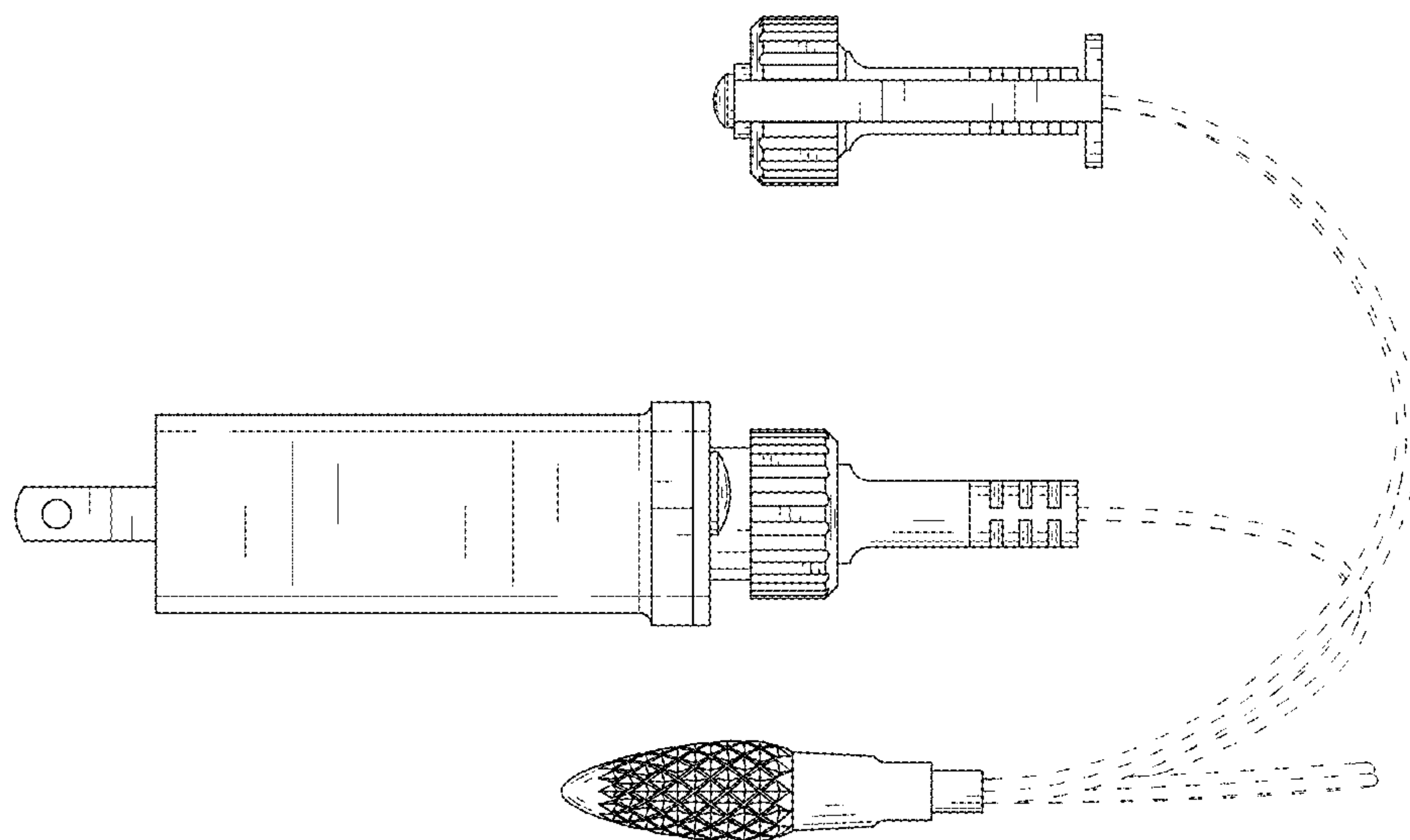


FIG. 4



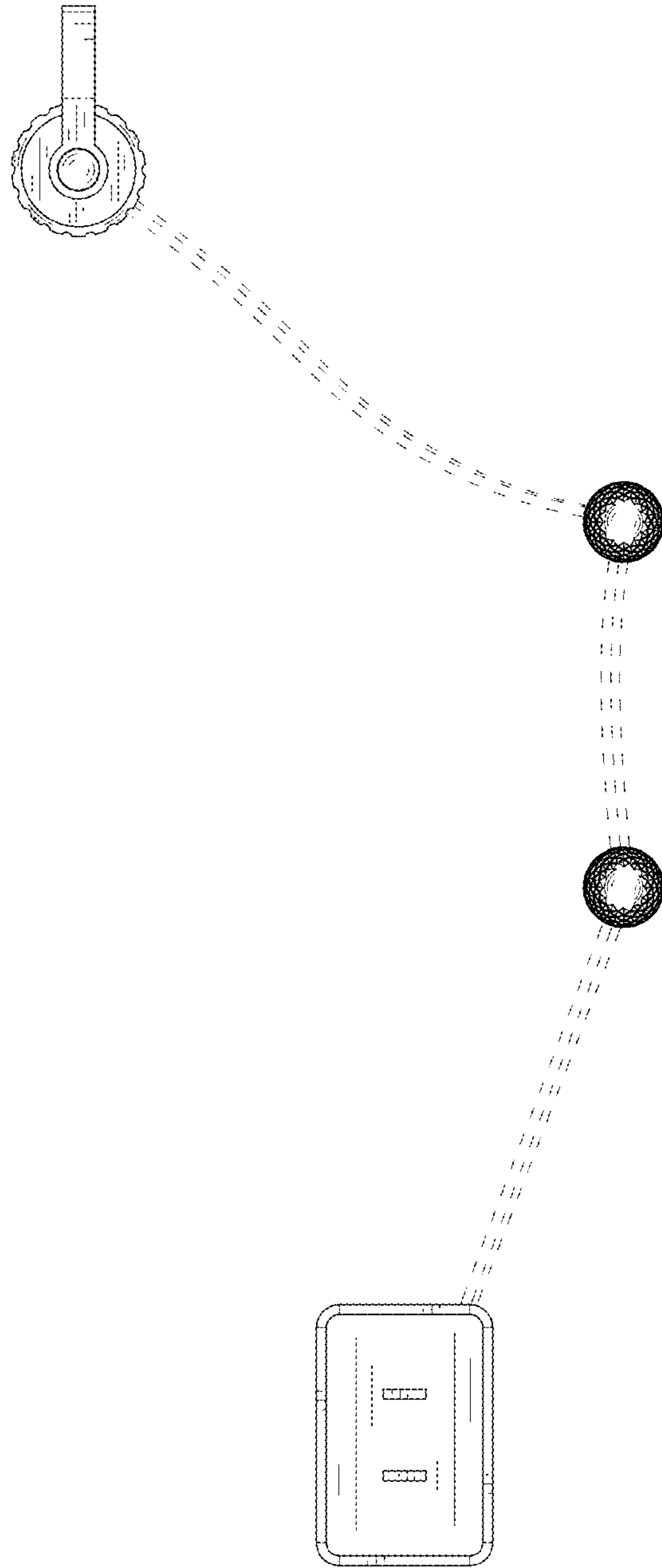


FIG. 5

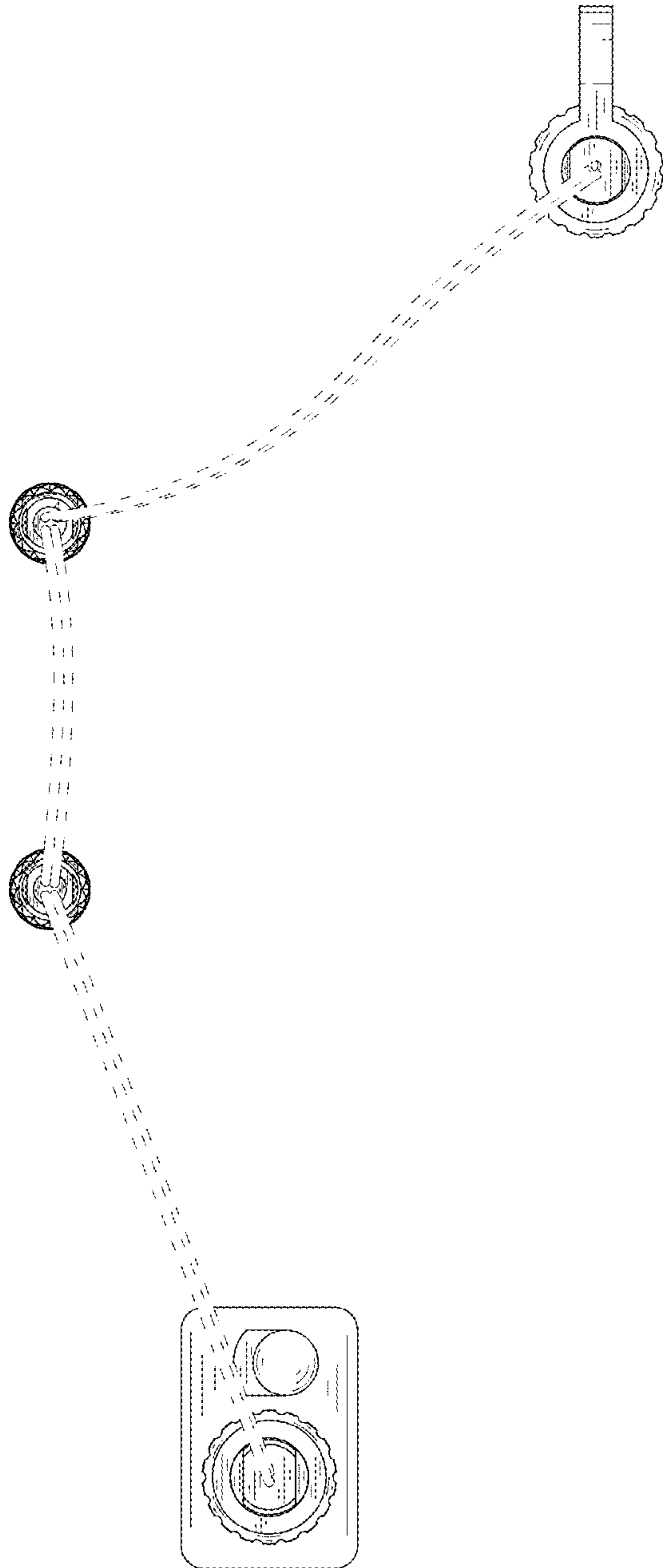


FIG. 6



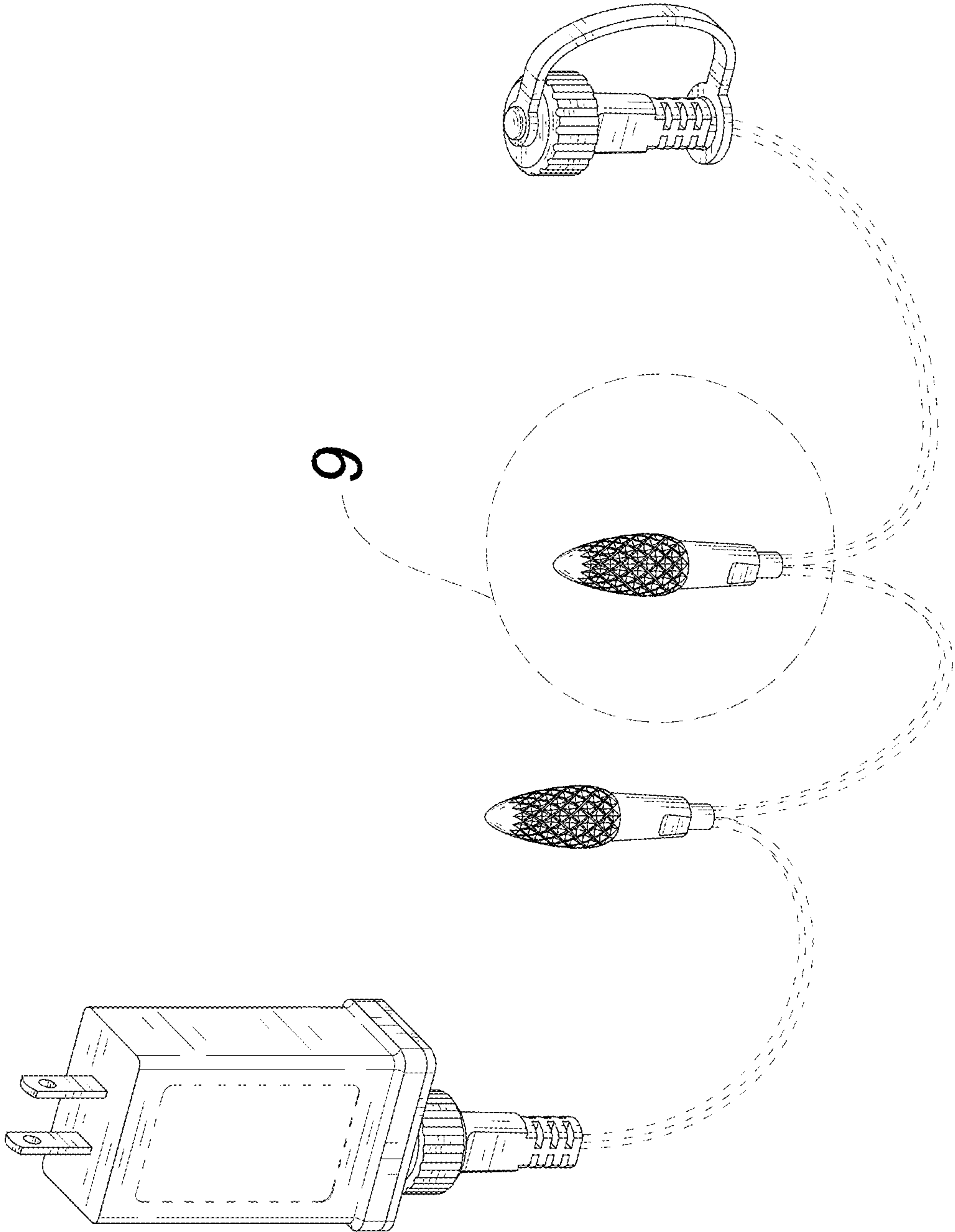


FIG. 7

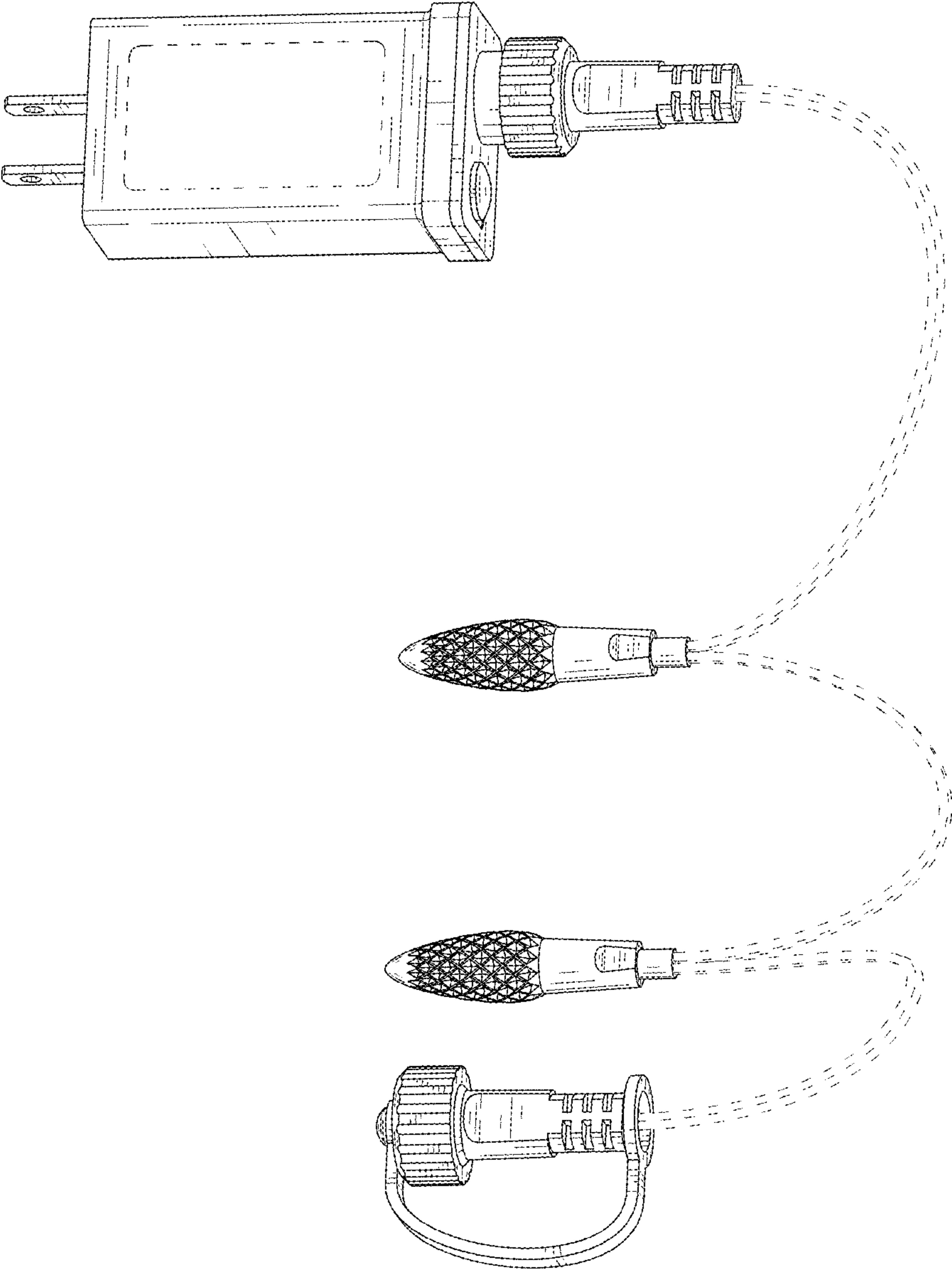


FIG. 8

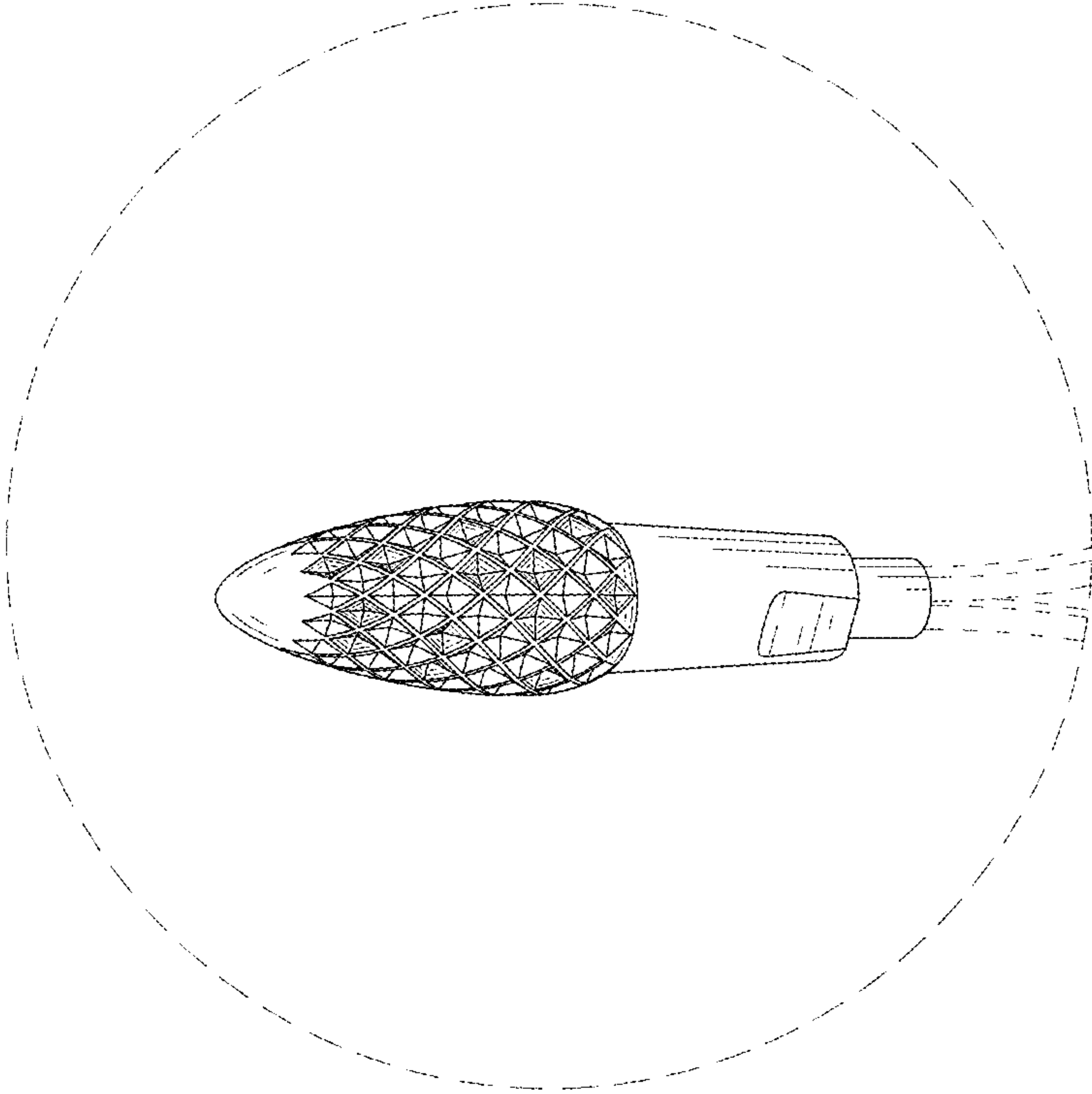


FIG. 9