



US00D974597S

(12) **United States Design Patent** (10) **Patent No.:** **US D974,597 S**  
**Guo** (45) **Date of Patent:** **\*\* Jan. 3, 2023**

(54) **LIGHT BULB**

FOREIGN PATENT DOCUMENTS

(71) Applicant: **Shitao Guo**, Ganzhou (CN)

GB 6128163 \* 4/2021  
GB 6128164 \* 4/2021

(72) Inventor: **Shitao Guo**, Ganzhou (CN)

(Continued)

(\*\*) Term: **15 Years**

OTHER PUBLICATIONS

(21) Appl. No.: **29/864,827**

FilFom 20m 200 LED Fairy Lights, available in <https://www.amazon.com/>, posted: Nov. 1, 2021 [online], [site visited Sep. 28, 2022], Internet URL: [https://www.amazon.co.uk/dp/B09FG55M3J/ref=sspa\\_dk\\_detail\\_4?ie=UTF8&pd\\_rd\\_i=B09FG55M3Jp13NParams&s=lighting&sp\\_csd=d2lkZ2V0TmFt...](https://www.amazon.co.uk/dp/B09FG55M3J/ref=sspa_dk_detail_4?ie=UTF8&pd_rd_i=B09FG55M3Jp13NParams&s=lighting&sp_csd=d2lkZ2V0TmFt...) (Year: 2021).\*

(22) Filed: **Jun. 23, 2022**

(Continued)

(51) **LOC (14) Cl.** ..... **26-04**

(52) **U.S. Cl.**  
USPC ..... **D26/2**

(58) **Field of Classification Search**

USPC .... D11/117, 121, 124; D26/1, 2, 24, 25, 27, D26/77, 113, 118  
CPC ..... F21S 2/00; F21S 4/00; F21S 4/15; F21S 8/033; F21S 8/036; F21S 8/081; F21S 8/083; F21L 2003/00; F21L 4/00; F21L 4/02; F21L 4/025; F21V 21/08; F21V 33/00

*Primary Examiner* — Samantha Wood  
*Assistant Examiner* — Alex T. Milbrath  
(74) *Attorney, Agent, or Firm* — Daniel M. Cohn; Howard M. Colm

See application file for complete search history.

(57) **CLAIM**

The ornamental design for a light bulb, as shown and described.

(56) **References Cited**

**DESCRIPTION**

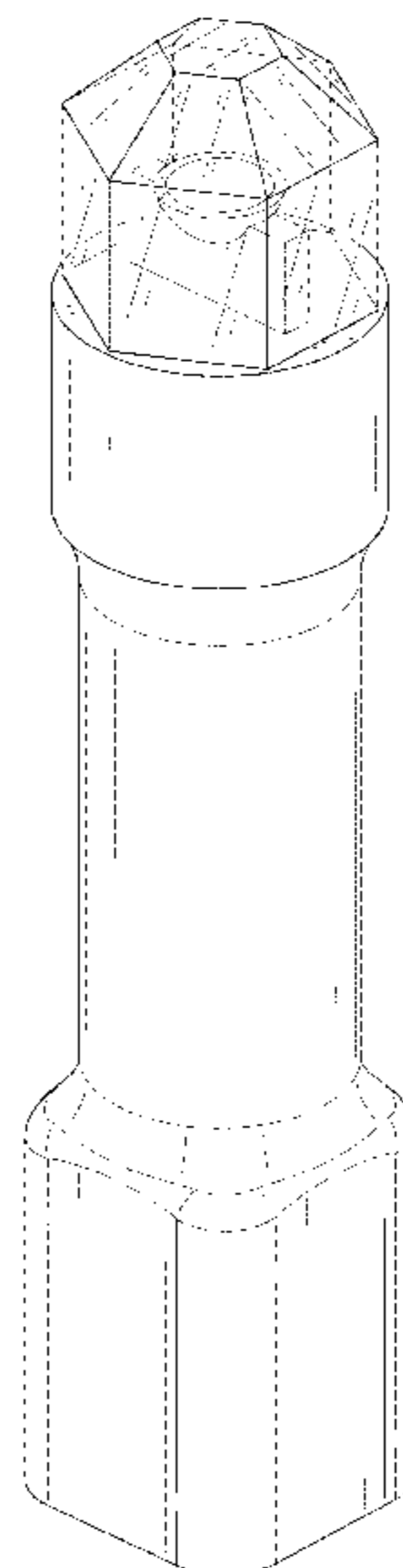
U.S. PATENT DOCUMENTS

D202,705 S \* 11/1965 Morgan ..... D26/2  
D243,933 S \* 4/1977 Johns ..... D10/111  
D340,298 S \* 10/1993 Murata ..... D26/25  
D352,562 S \* 11/1994 Horton ..... D26/25  
D385,051 S \* 10/1997 Wu ..... D26/2  
D908,254 S \* 1/2021 Zhu ..... D26/25  
D908,255 S \* 1/2021 Zhou ..... D26/25  
D915,643 S \* 4/2021 Liang ..... D26/25  
D916,333 S \* 4/2021 Liang ..... D26/25  
D919,131 S \* 5/2021 Yang ..... D26/25  
D919,132 S \* 5/2021 Du ..... D26/25  
D924,449 S \* 7/2021 Zhang ..... D26/25  
D936,254 S \* 11/2021 Gu ..... D26/25  
D936,866 S \* 11/2021 Huasheng ..... D26/25  
D940,358 S \* 1/2022 Xiong ..... D26/25  
D941,507 S \* 1/2022 Du ..... D26/25

FIG. 1 is a perspective view of a light bulb showing my new design;  
FIG. 2 is another perspective view thereof;  
FIG. 3 is a front elevational view thereof;  
FIG. 4 is a rear elevational view thereof;  
FIG. 5 is a left side elevational view thereof;  
FIG. 6 is a right side elevational view thereof;  
FIG. 7 is a top plan view thereof;  
FIG. 8 is a bottom plan view thereof; and,  
FIG. 9 is a perspective view of the light bulb where the light bulb is in a configuration of use.  
The broken lines in the drawings depict portions of the light bulb that form no part of the claimed design.

(Continued)

**1 Claim, 9 Drawing Sheets**



(56)

**References Cited**

## U.S. PATENT DOCUMENTS

11,248,775 B2 2/2022 DeCosmo et al.  
D957,009 S \* 7/2022 Xu ..... D26/25  
D960,401 S \* 8/2022 Lin ..... D26/25  
D960,402 S \* 8/2022 Lin ..... D26/25  
D960,404 S \* 8/2022 Wang ..... D26/25

## FOREIGN PATENT DOCUMENTS

GB 6128184 \* 4/2021  
GB 6128191 \* 4/2021  
GB 6137032 \* 5/2021

## OTHER PUBLICATIONS

JMEXSUSS Blue Christmas String Lights, available in <https://www.amazon.com/>, posted: Nov. 8, 2019 [online], [site visited Sep. 28, 2022], Internet URL: <https://www.amazon.com/JMEXSUSS-Christmas-Wedding-Decoration-Approved/dp/B082CX8KS5/ref?th=1> (Year: 2019).\*

Ollny Christmas Lights Decorations Outdoor, available in <https://www.amazon.com/>, posted: Jul. 14, 2022 [online], [site visited Sep. 28, 2022], Internet URL: [https://www.amazon.co.uk/dp/B09YHZ1XKJ/ref=sspa\\_dk\\_detail\\_3?ie=UTF8&pd\\_rd\\_i=B09YHZ1XKJp13NParams&s=lighting&sp\\_csd=d2lkZ2V0TmF%E2%80%A6](https://www.amazon.co.uk/dp/B09YHZ1XKJ/ref=sspa_dk_detail_3?ie=UTF8&pd_rd_i=B09YHZ1XKJp13NParams&s=lighting&sp_csd=d2lkZ2V0TmF%E2%80%A6) (Year: 2022).\*

GHJ 50/100/200 LED, available in <https://www.amazon.com/>, posted: May 5, 2017 [online], [site visited Sep. 28, 2022], Internet URL: [https://www.amazon.co.uk/GHJ-Battery-Operated-Rainproof-Christmas/dp/B0782583R8/ref=psdc\\_248561031\\_t4\\_B07WBZJ4YY?th=1](https://www.amazon.co.uk/GHJ-Battery-Operated-Rainproof-Christmas/dp/B0782583R8/ref=psdc_248561031_t4_B07WBZJ4YY?th=1) (Year: 2017).\*

\* cited by examiner

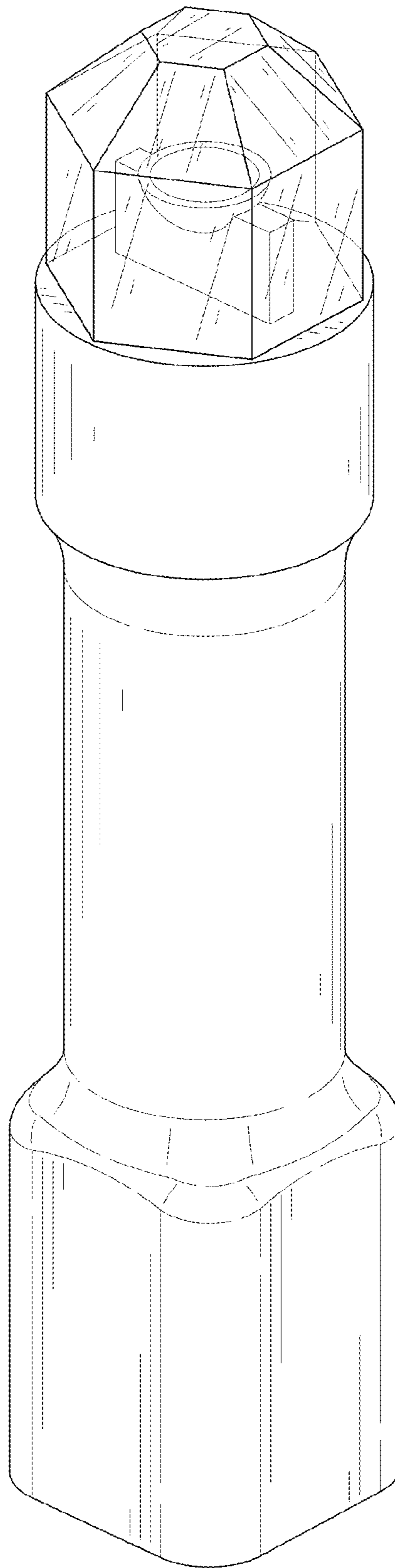


FIG. 1

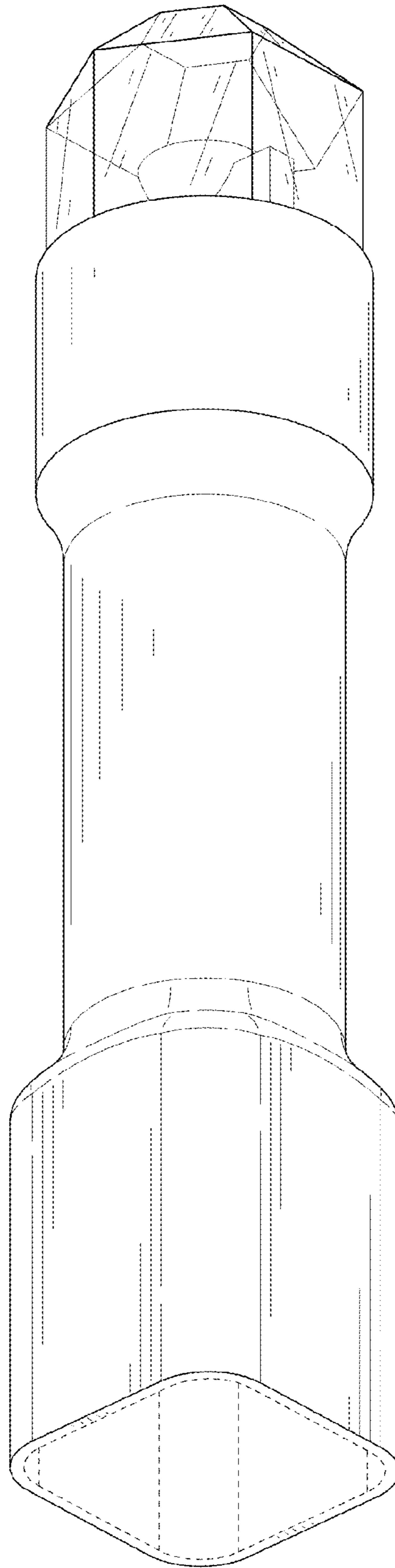


FIG. 2

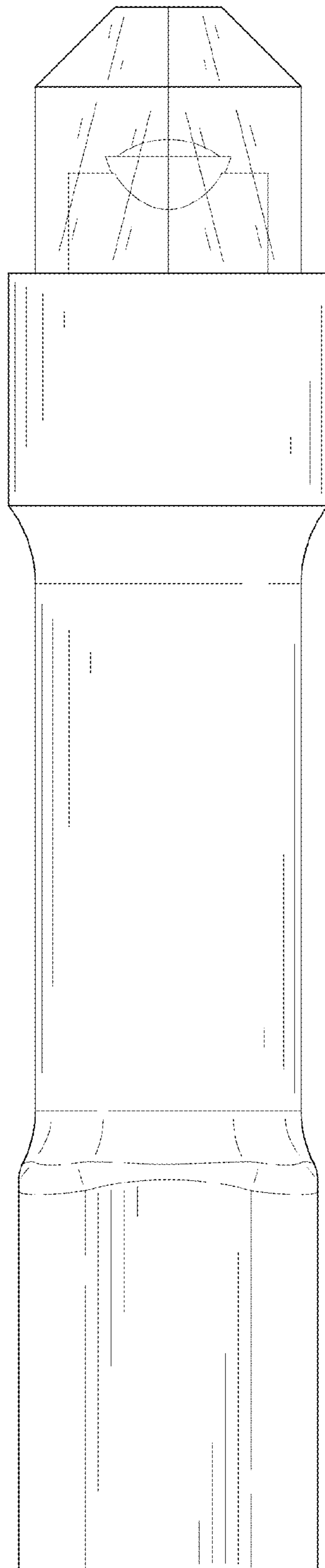


FIG. 3

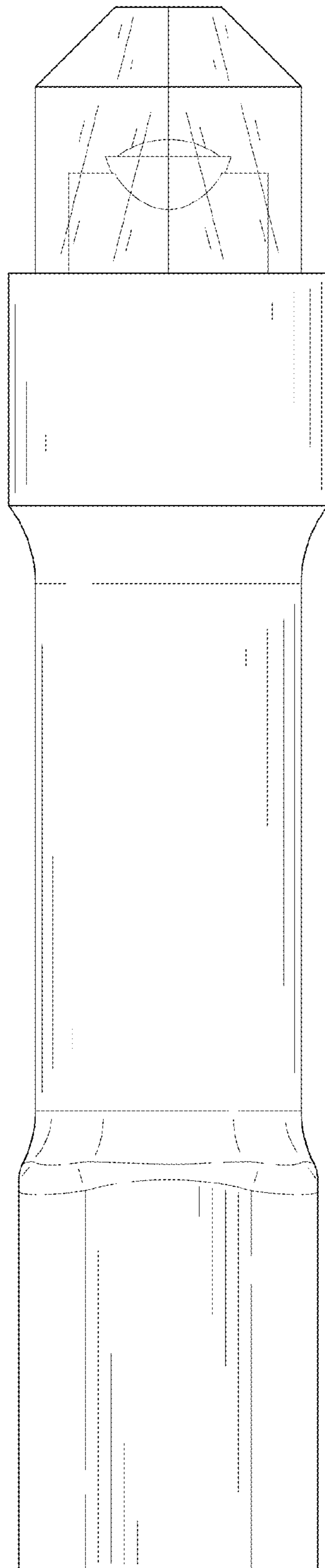


FIG. 4

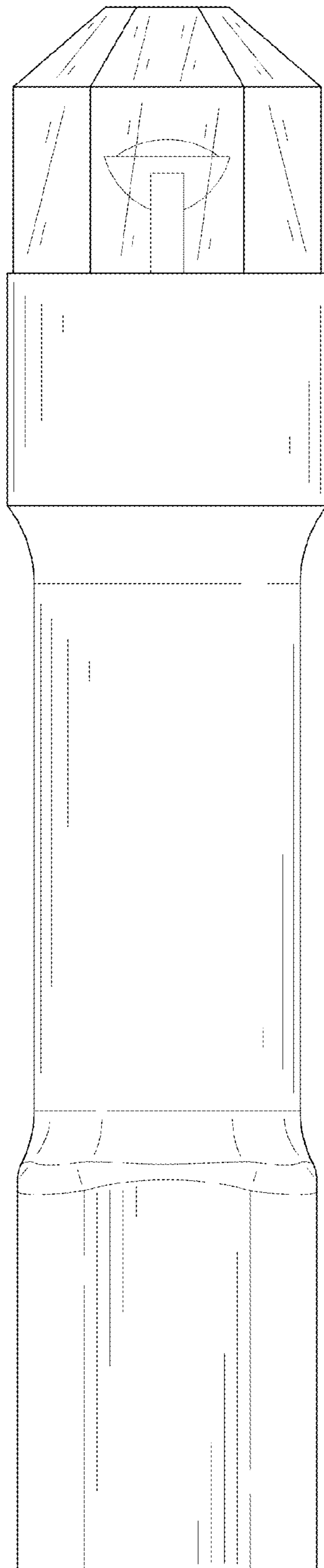


FIG. 5

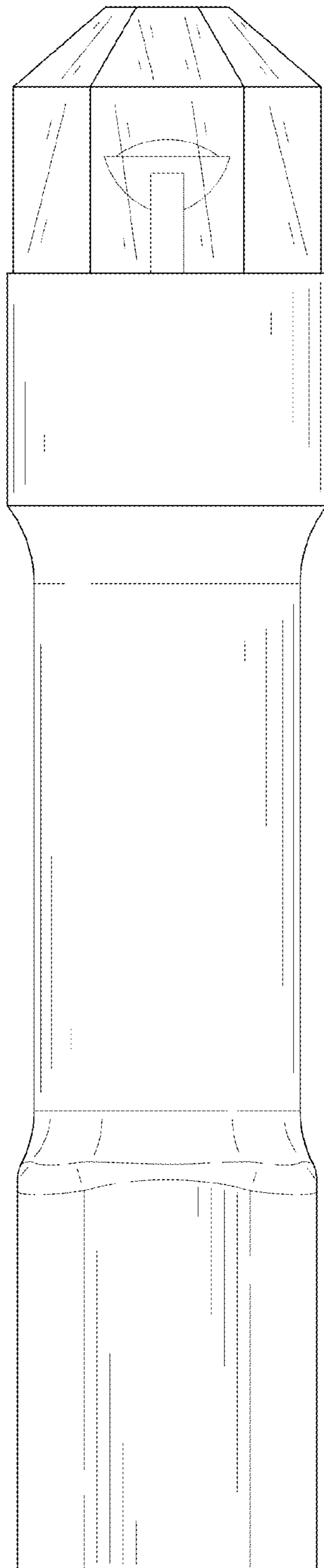


FIG. 6



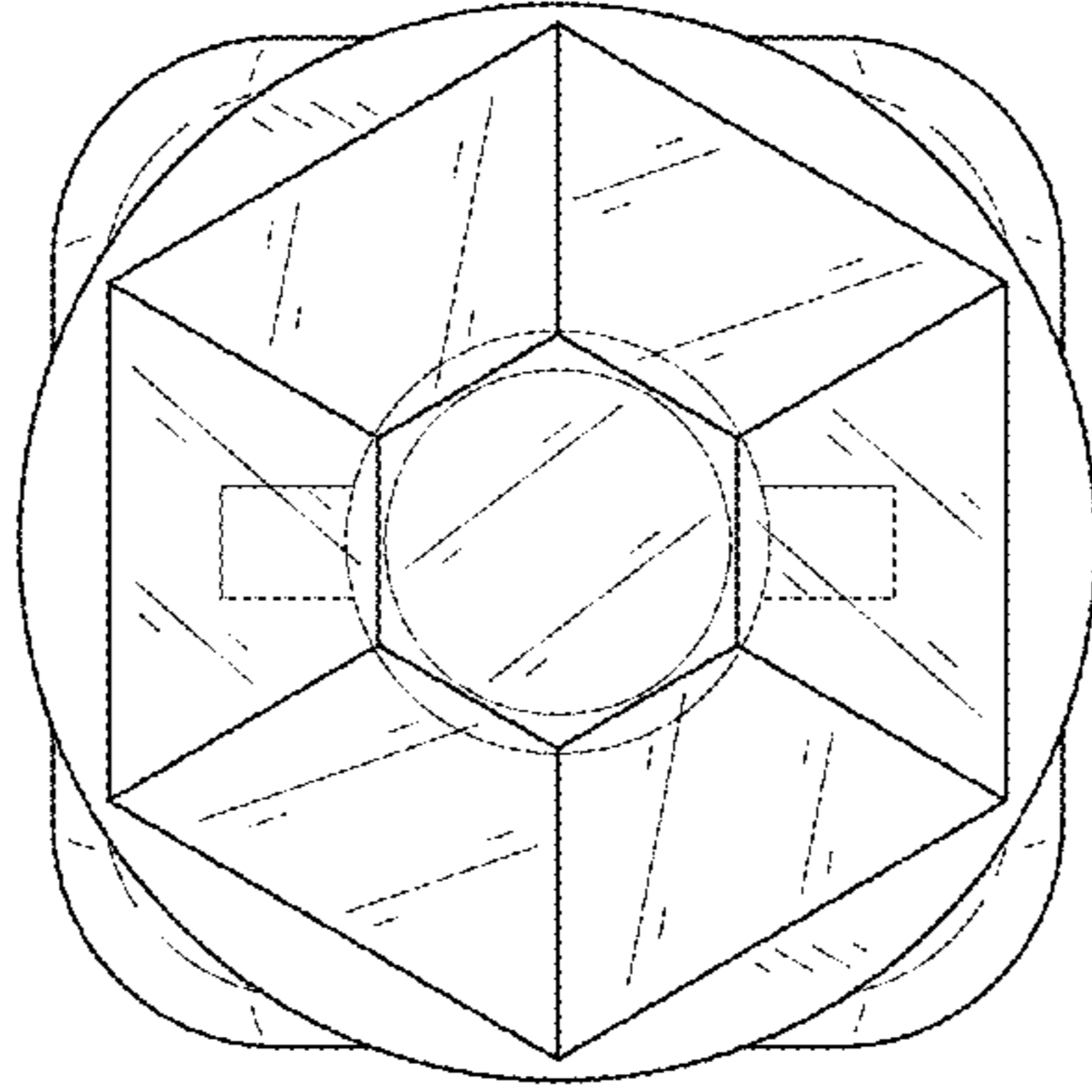


FIG. 7

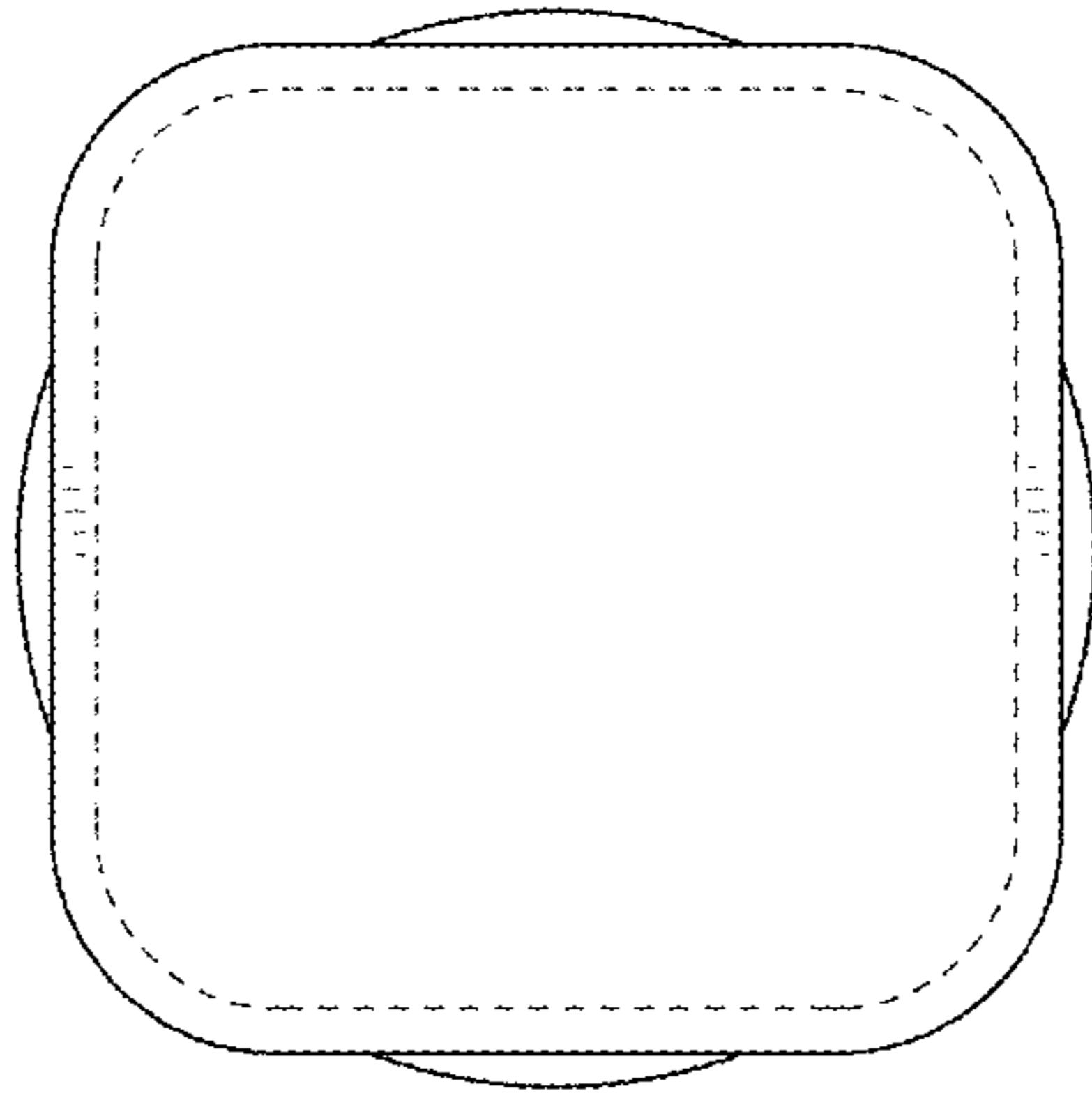


FIG. 8

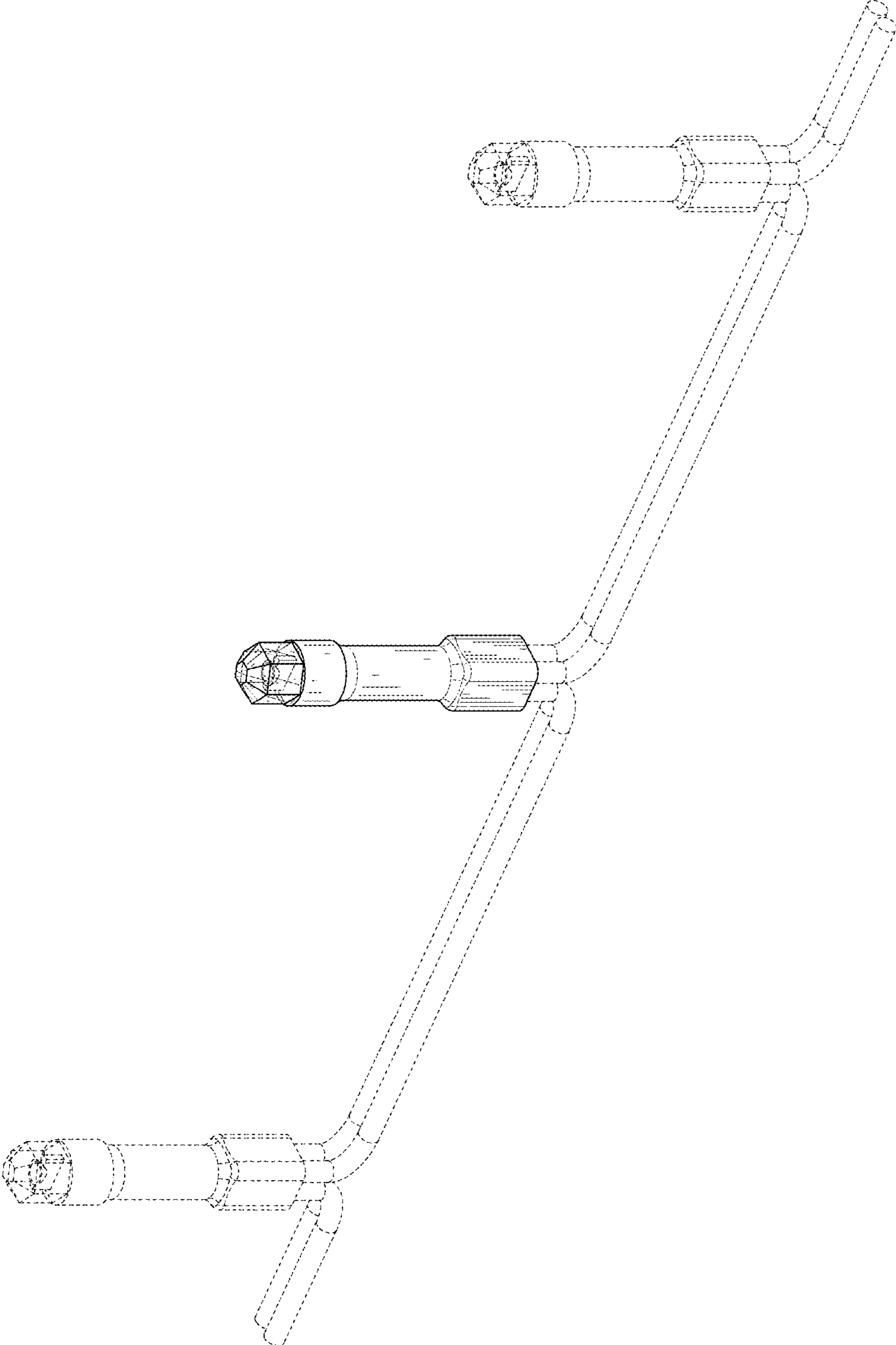


FIG. 9