



US00D974596S

(12) **United States Design Patent**  
**Ren**

(10) **Patent No.:** **US D974,596 S**

(45) **Date of Patent:** **\*\* Jan. 3, 2023**

(54) **SUPPORT ROD**

(71) Applicant: **Wuhu Wei Ai Yibo Electronic Commerce Co., Ltd., Wuhu (CN)**

(72) Inventor: **Longxiang Ren, Wuhu (CN)**

(73) Assignee: **Wuhu Wei Ai Yibo Electronic Commerce Co., Ltd., Wuhu (CN)**

(\*\*) Term: **15 Years**

(21) Appl. No.: **29/790,566**

(22) Filed: **Dec. 3, 2021**

(51) **LOC (14) Cl.** ..... **25-01**

(52) **U.S. Cl.**  
USPC ..... **D25/126**

(58) **Field of Classification Search**  
USPC ..... D16/208–209, 219, 237, 242–250;  
D14/253; D8/354, 373, 499; D25/62,  
D25/126, 127, 199  
CPC ..... G03B 17/02; G03B 17/56; G03B 17/04;  
G03B 17/561–566; G03B 15/03; H04N  
5/2251; H04N 5/2252; H04N 5/2253;  
H04N 5/2254; G02B 7/02; G02B 7/04;  
G02B 7/14

See application file for complete search history.

(56) **References Cited**

**U.S. PATENT DOCUMENTS**

- 4,129,975 A \* 12/1978 Gabriel ..... A63H 33/101  
D8/354
- D298,915 S \* 12/1988 Rowley ..... D8/373
- D383,220 S \* 9/1997 Harbeke ..... D25/127
- D543,438 S \* 5/2007 Walker ..... D8/354
- D765,649 S 9/2016 Huang
- D767,011 S 9/2016 Huang

- D792,614 S \* 7/2017 Thomas ..... D25/127
- D881,263 S \* 4/2020 Xia ..... D16/245
- D883,369 S \* 5/2020 Xia ..... D16/243
- D895,406 S \* 9/2020 Oetlinger ..... D25/199
- D923,689 S \* 6/2021 Xia ..... D16/243

\* cited by examiner

*Primary Examiner* — Ramzi Almatrahi

(74) *Attorney, Agent, or Firm* — Jeenam Park

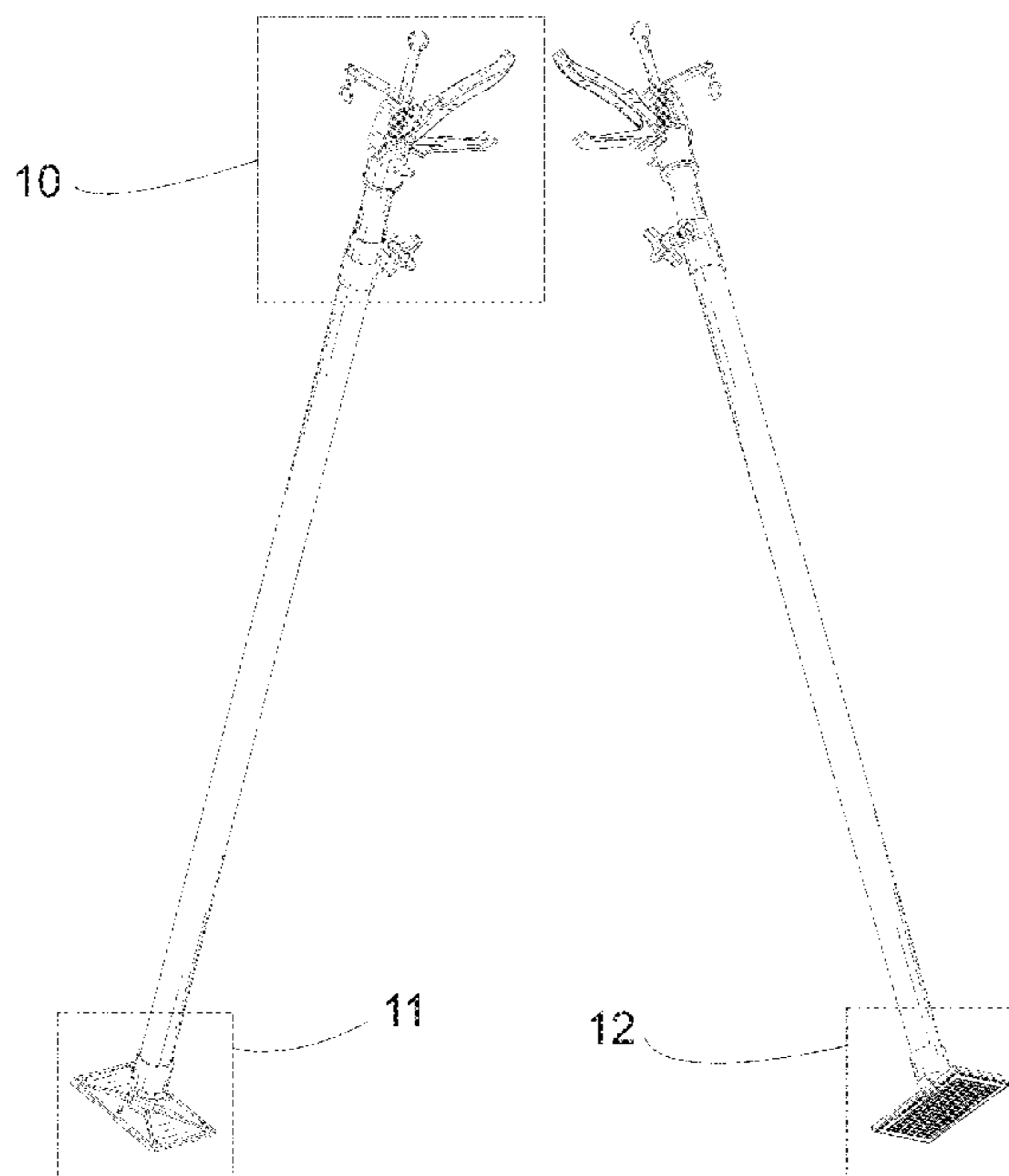
(57) **CLAIM**

The ornamental design for a support rod, as shown and described.

**DESCRIPTION**

FIG. 1 is a top, front and left side perspective view of a support rod showing my new design;  
 FIG. 2 is a top, front and left side perspective view thereof, shown with the support rod in an extended configuration;  
 FIG. 3 is a bottom, rear and right side perspective view of the support rod shown in FIG. 1;  
 FIG. 4 is a front view thereof;  
 FIG. 5 is a rear view thereof;  
 FIG. 6 is a left side view thereof;  
 FIG. 7 is a right side view thereof;  
 FIG. 8 is a top plan view thereof;  
 FIG. 9 is a bottom plan view thereof;  
 FIG. 10 is an enlarged view of portion 10 shown in FIG. 1;  
 FIG. 11 is an enlarged view of portion 11 shown in FIG. 1;  
 and,  
 FIG. 12 is an enlarged view of portion 12 shown in FIG. 3.  
 The broken lines encircling an enlargement portion of the design forms no part of the claimed design.

**1 Claim, 12 Drawing Sheets**



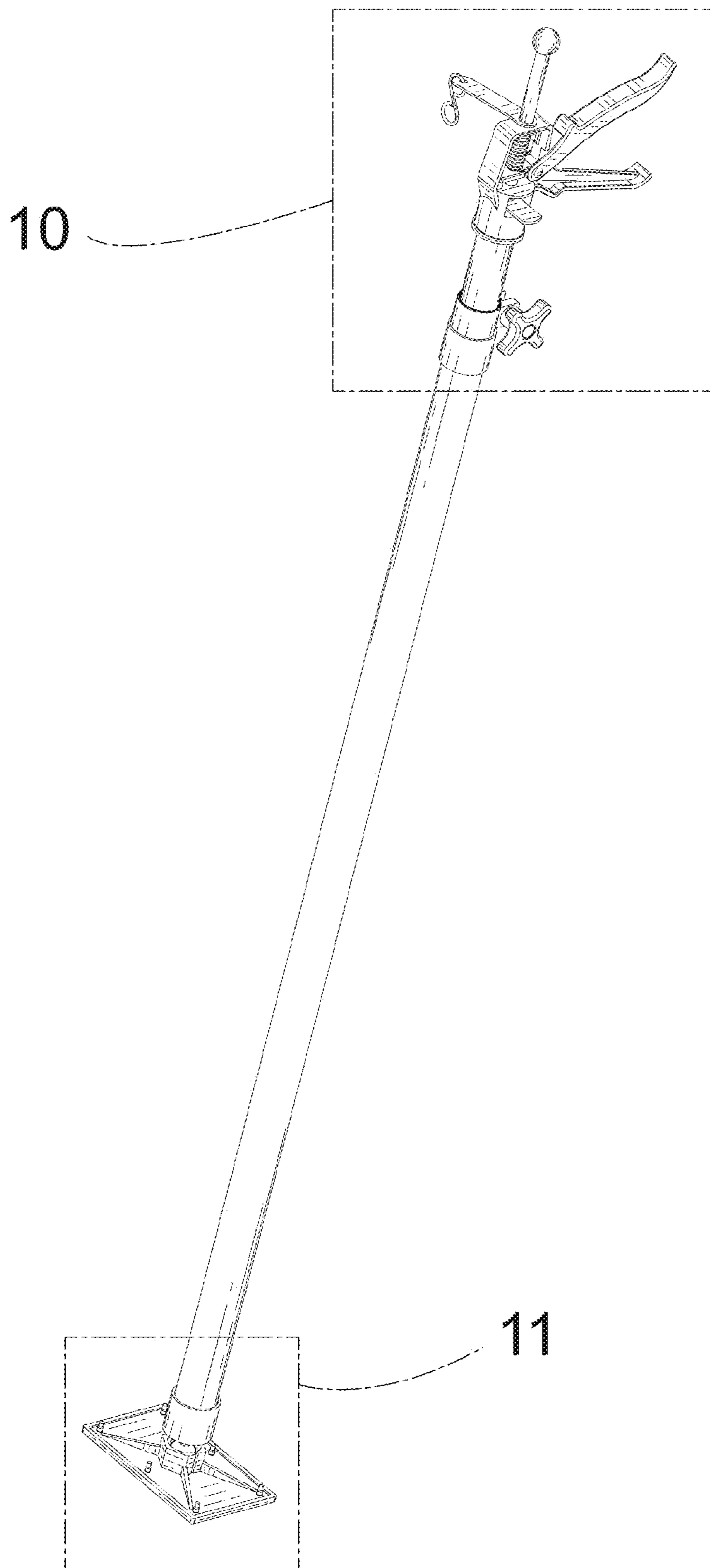


FIG. 1

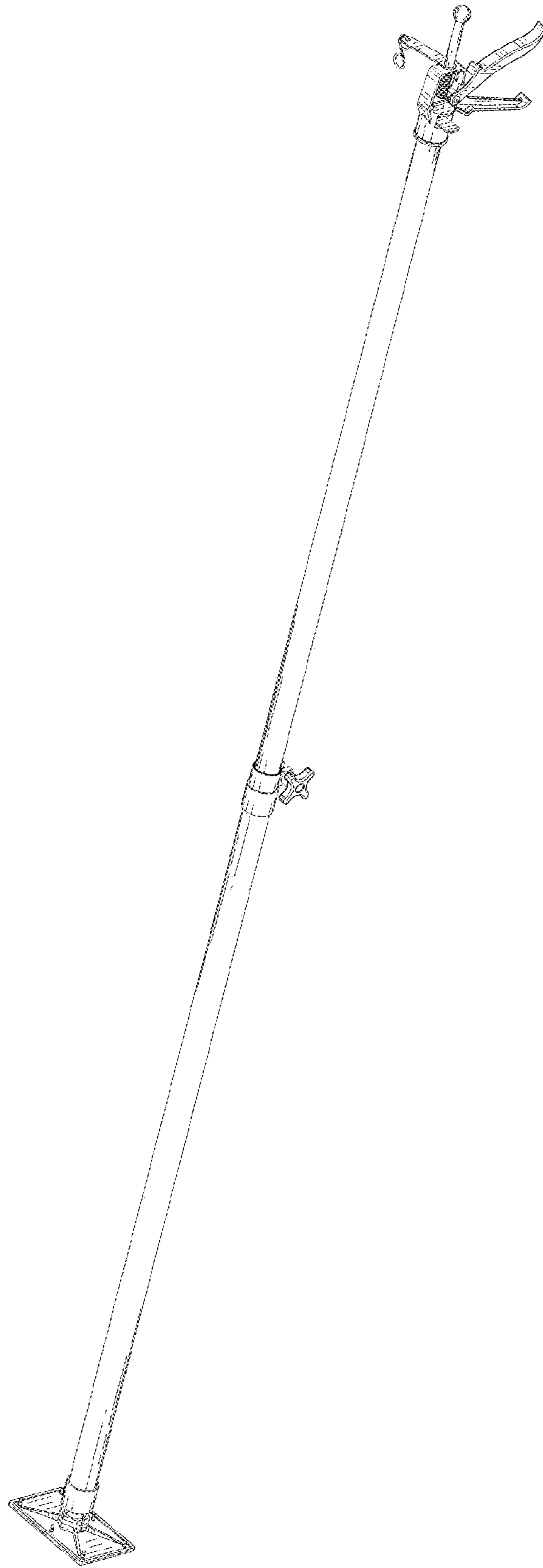


FIG. 2

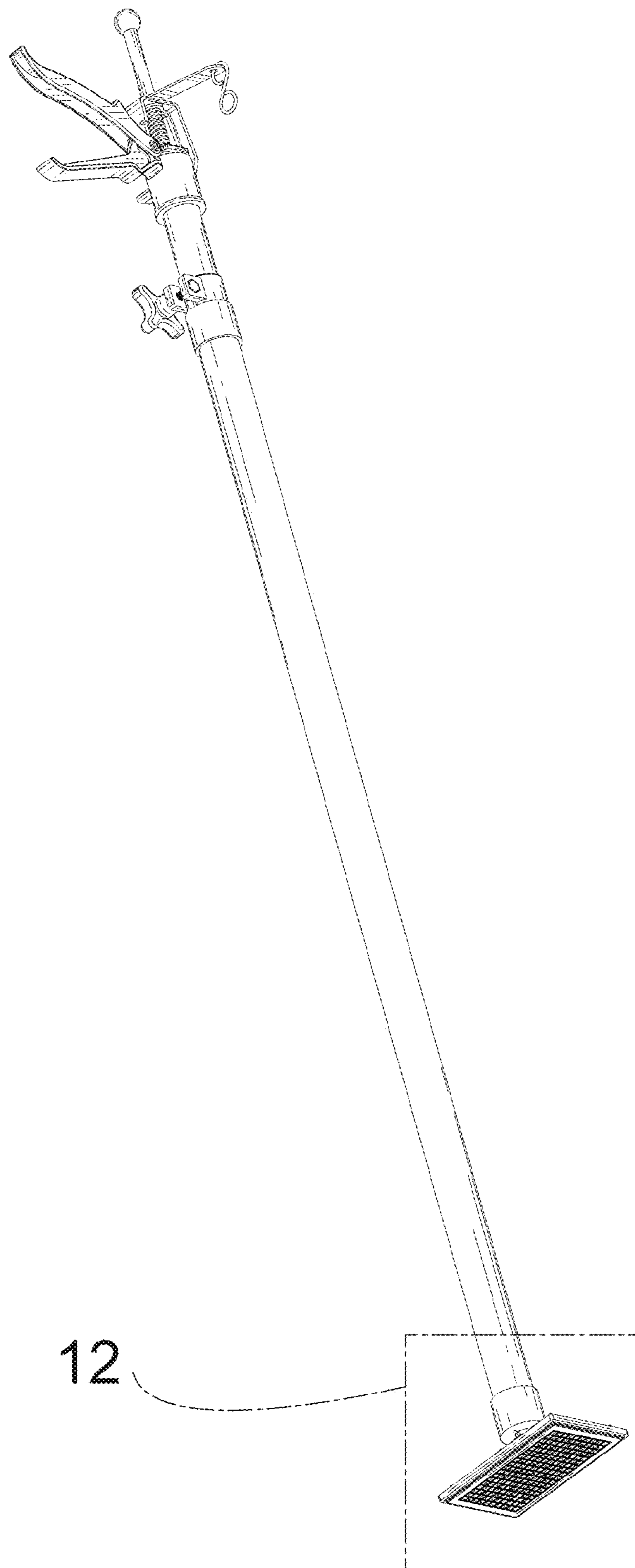


FIG. 3

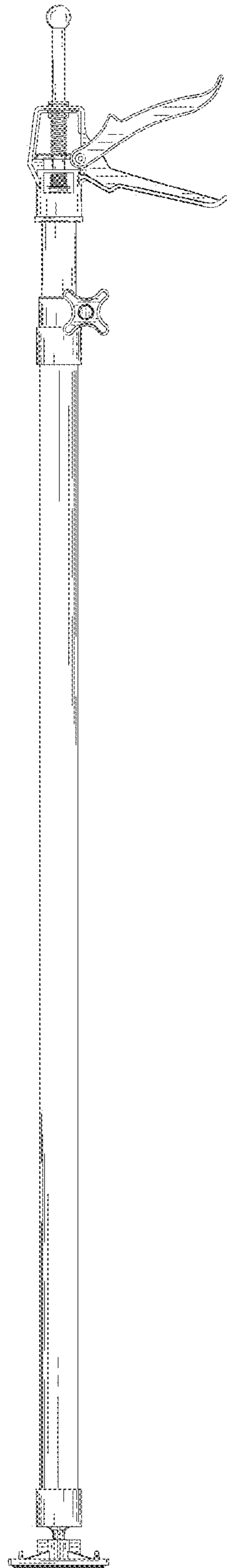


FIG. 4

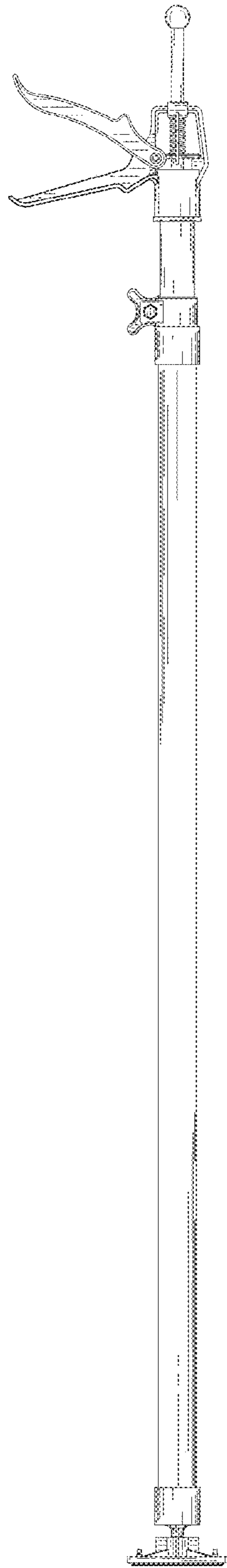


FIG. 5

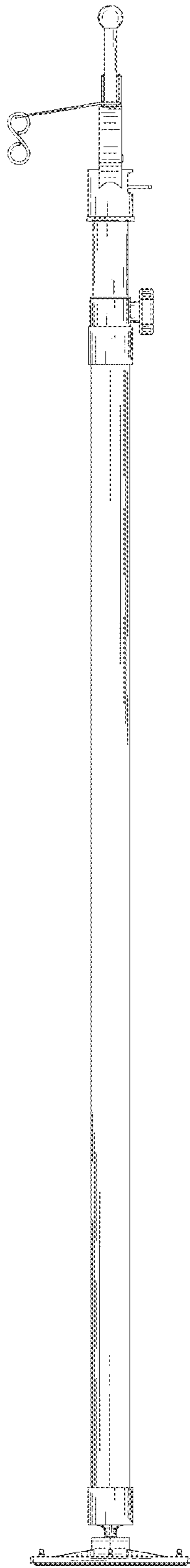


FIG. 6

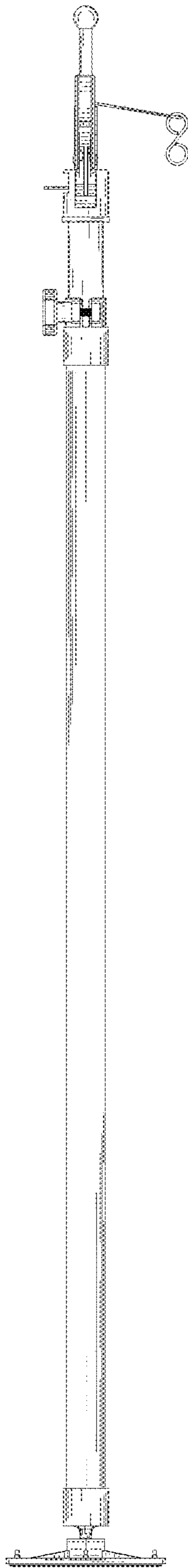


FIG. 7



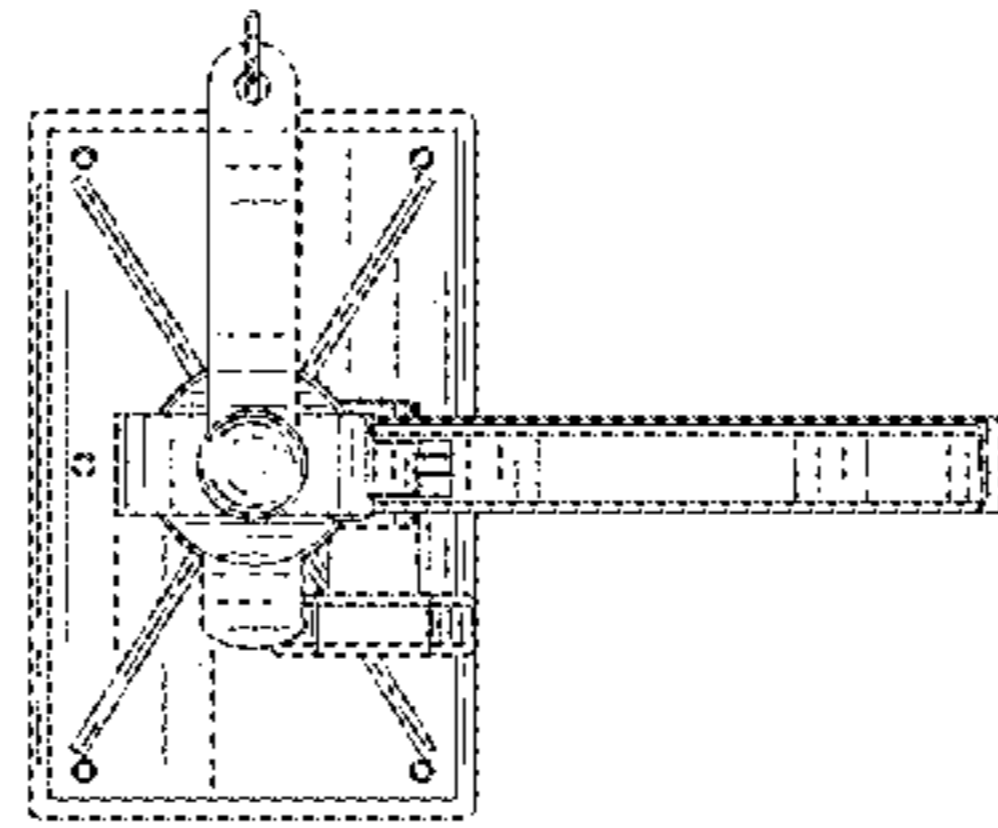


FIG. 8

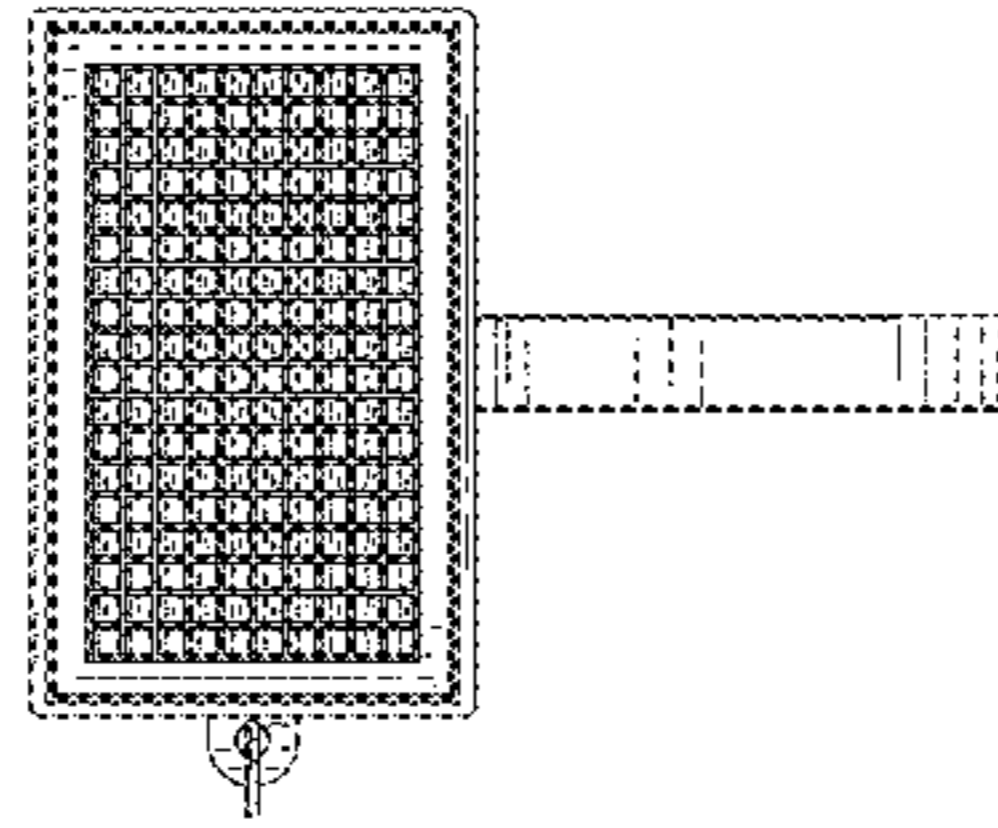


FIG. 9

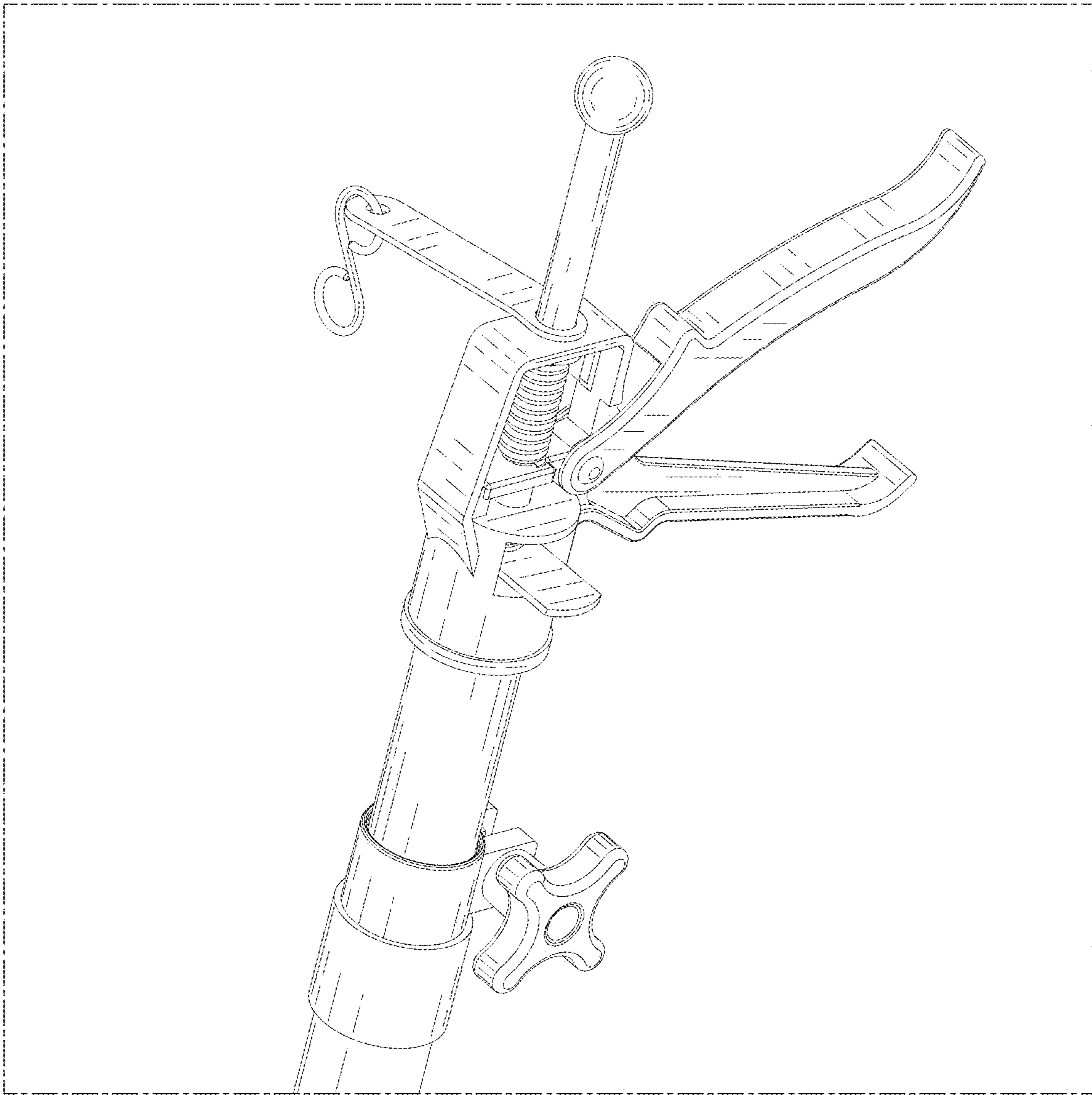


FIG. 10

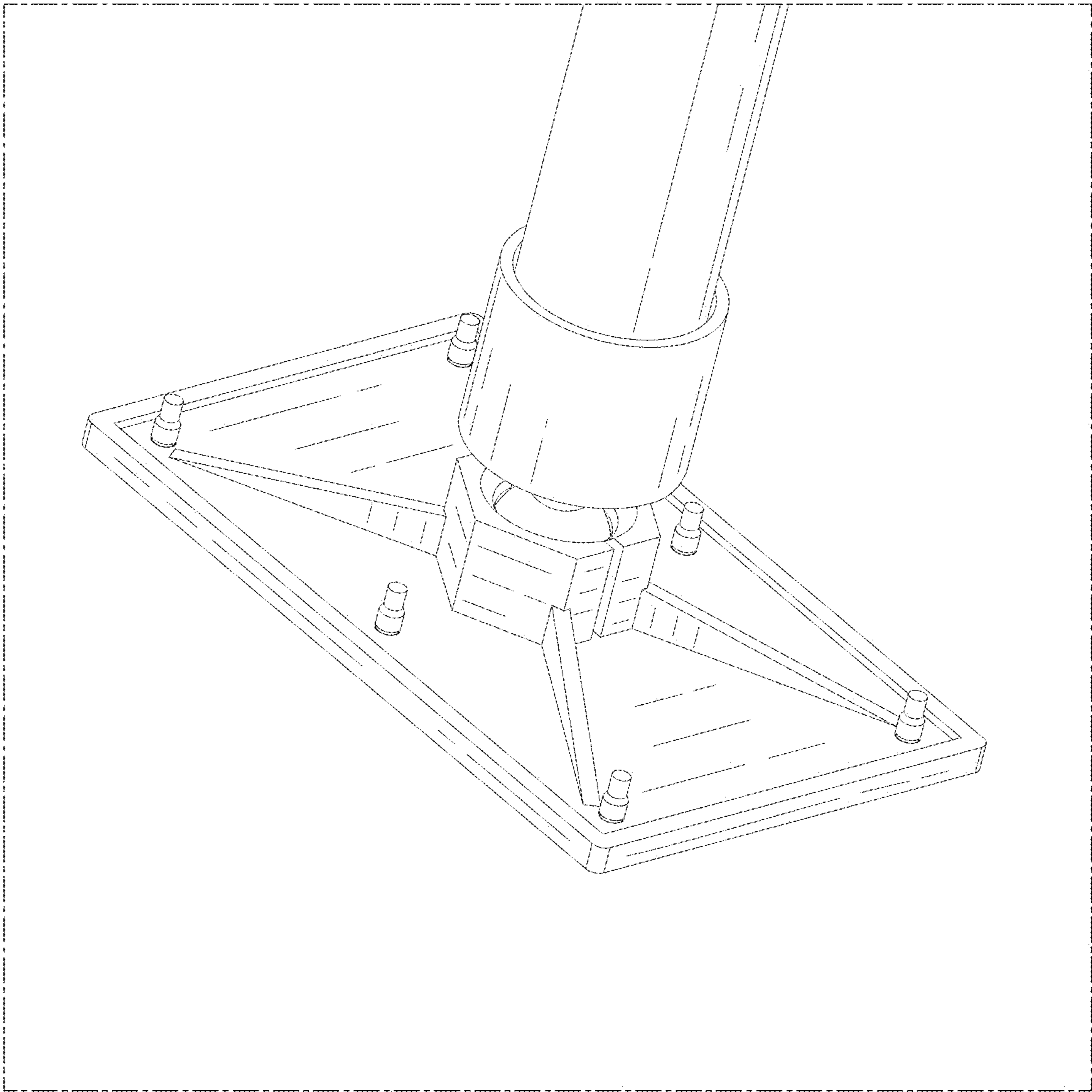


FIG. 11

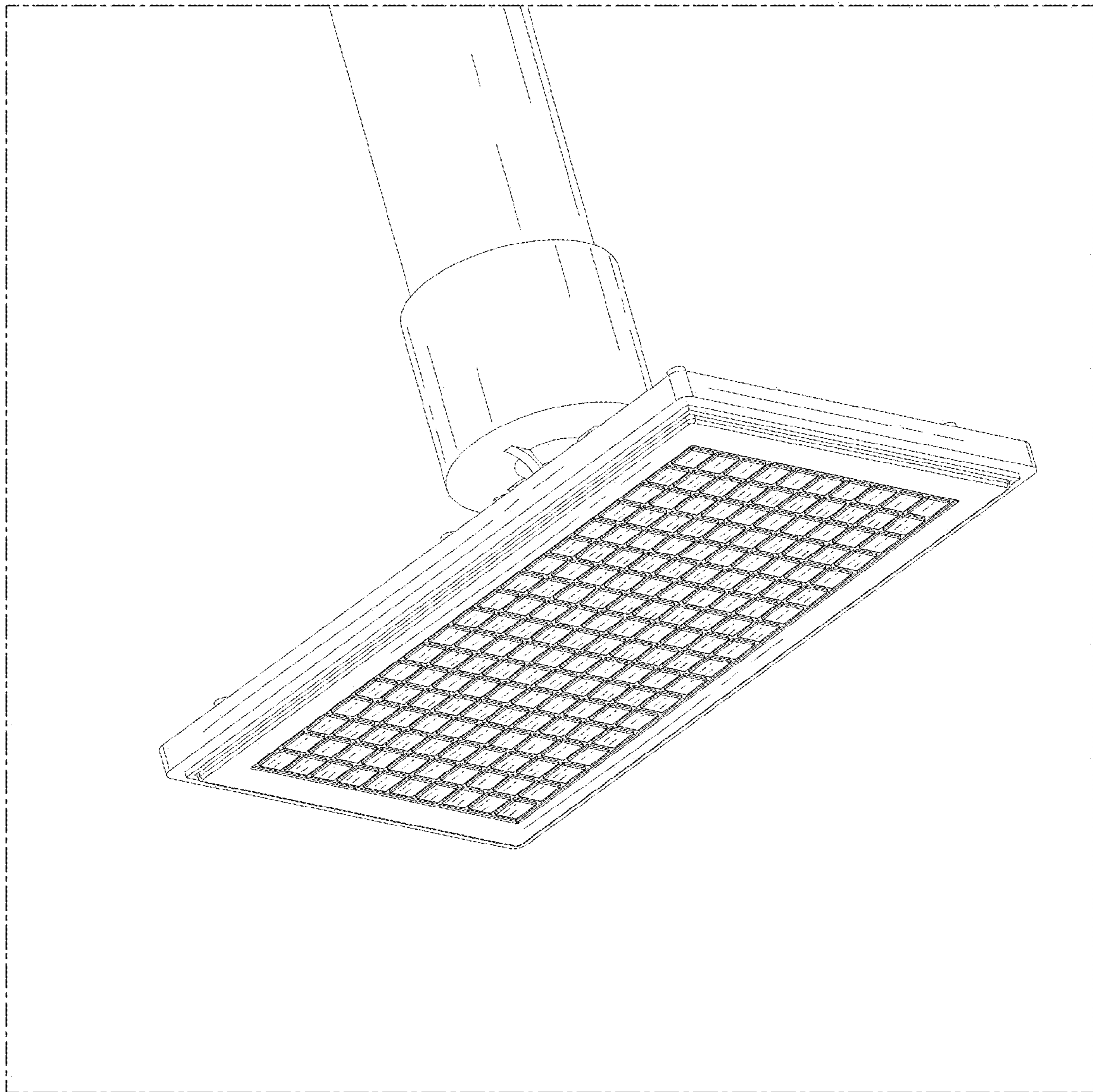


FIG. 12