



US00D974594S

(12) **United States Design Patent**  
**Chen**

(10) **Patent No.:** **US D974,594 S**  
(45) **Date of Patent:** **\*\* Jan. 3, 2023**

(54) **PET DOOR**

(71) Applicant: **Qiang Chen**, Inner Mongolia (CN)

(72) Inventor: **Qiang Chen**, Inner Mongolia (CN)

(\*\*) Term: **15 Years**

(21) Appl. No.: **29/853,466**

(22) Filed: **Sep. 15, 2022**

(51) **LOC (14) Cl.** ..... **25-02**

(52) **U.S. Cl.**  
USPC ..... **D25/48.3**

(58) **Field of Classification Search**  
USPC ..... D25/48.3, 48.4  
CPC ..... E06B 7/32  
See application file for complete search history.

(56) **References Cited**

**U.S. PATENT DOCUMENTS**

5,946,856 A *	9/1999	Davlantes	.....	E06B 7/32
				49/168
D538,942 S *	3/2007	Grundy	.....	D25/48.3
8,631,605 B1 *	1/2014	Davenport	.....	E06B 7/32
				49/501
9,284,773 B1 *	3/2016	Fridley	.....	E05F 13/00
D903,903 S	12/2020	Vanderbilt-Kay		
D925,064 S	7/2021	Yi		

\* cited by examiner

*Primary Examiner* — Doris Clark

(74) *Attorney, Agent, or Firm* — ScienBiziP, P.C.

(57) **CLAIM**

The ornamental design for a pet door, as shown and described.

**DESCRIPTION**

FIG. 1 is a front, right and top perspective view of a pet door, showing my design.

FIG. 2 is a rear, left and bottom perspective view thereof.

FIG. 3 is a front elevation view thereof.

FIG. 4 is a rear elevation view thereof.

FIG. 5 is a left side elevation view thereof.

FIG. 6 is a right side elevation view thereof.

FIG. 7 is a top plan view thereof.

FIG. 8 is a bottom plan view thereof.

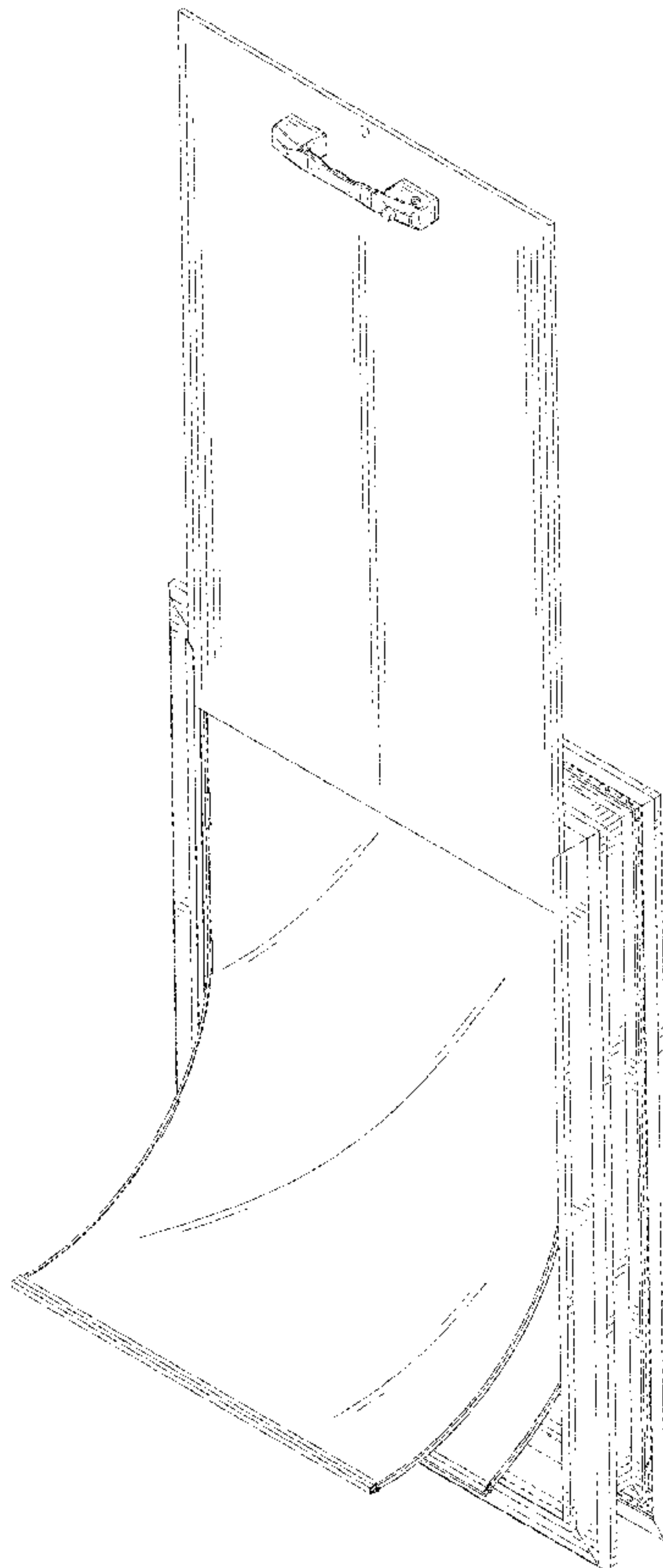
FIG. 9 is rear, left and top perspective view thereof in a usable state.

FIG. 10 is a partial enlarged view of an area labeled 10 in FIG. 1; and,

FIG. 11 is a partial enlarged view of an area labeled 11 in FIG. 2.

The broken lines shown in the drawings are included for the purpose of illustrating portions of the pet door that form no part of the claimed design. In addition, the dot-dash broken lines in FIGS. 1, 2 and 10-11 depict the boundaries of the enlargements that form no part of the claimed design.

**1 Claim, 11 Drawing Sheets**



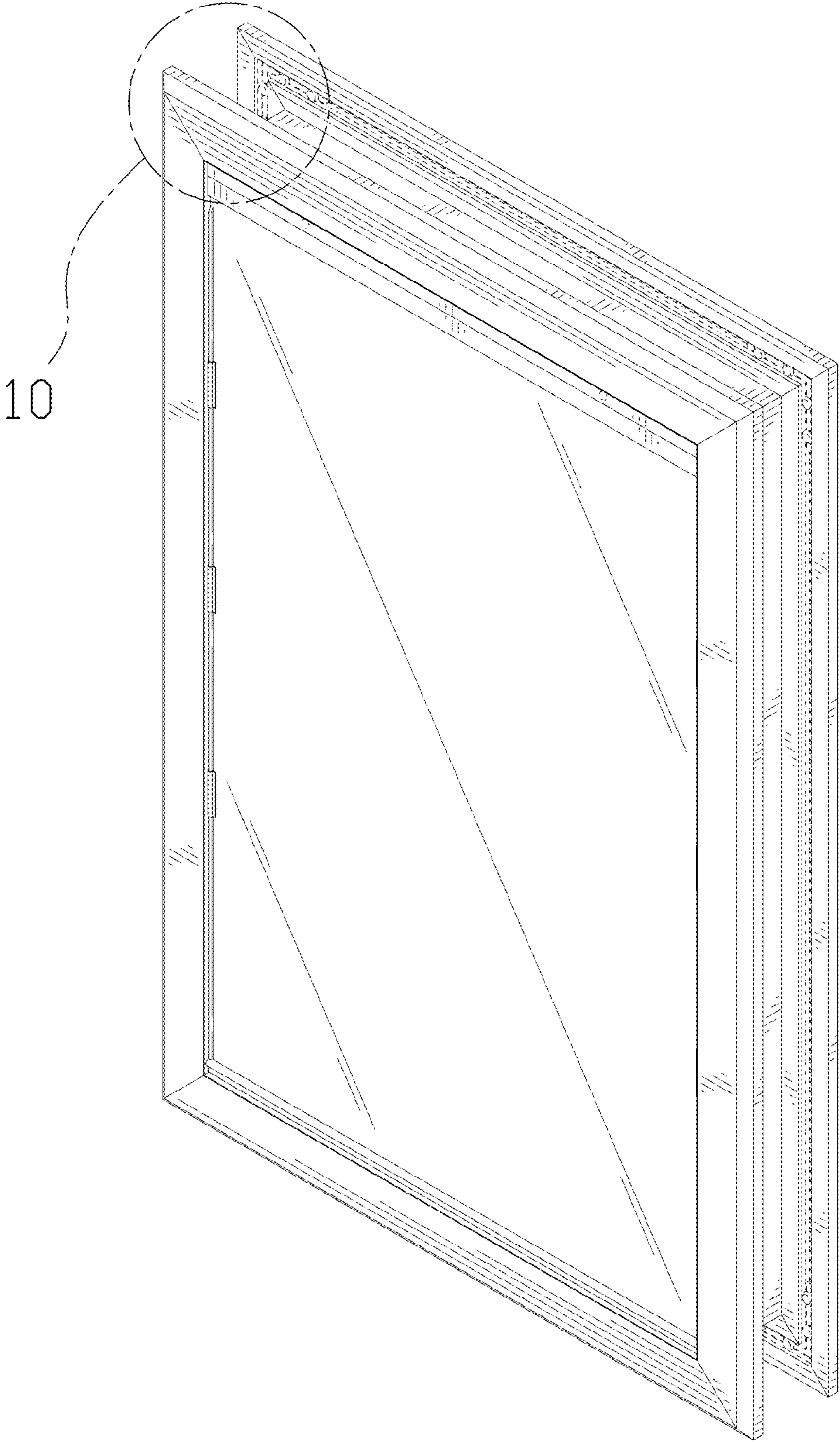


FIG. 1

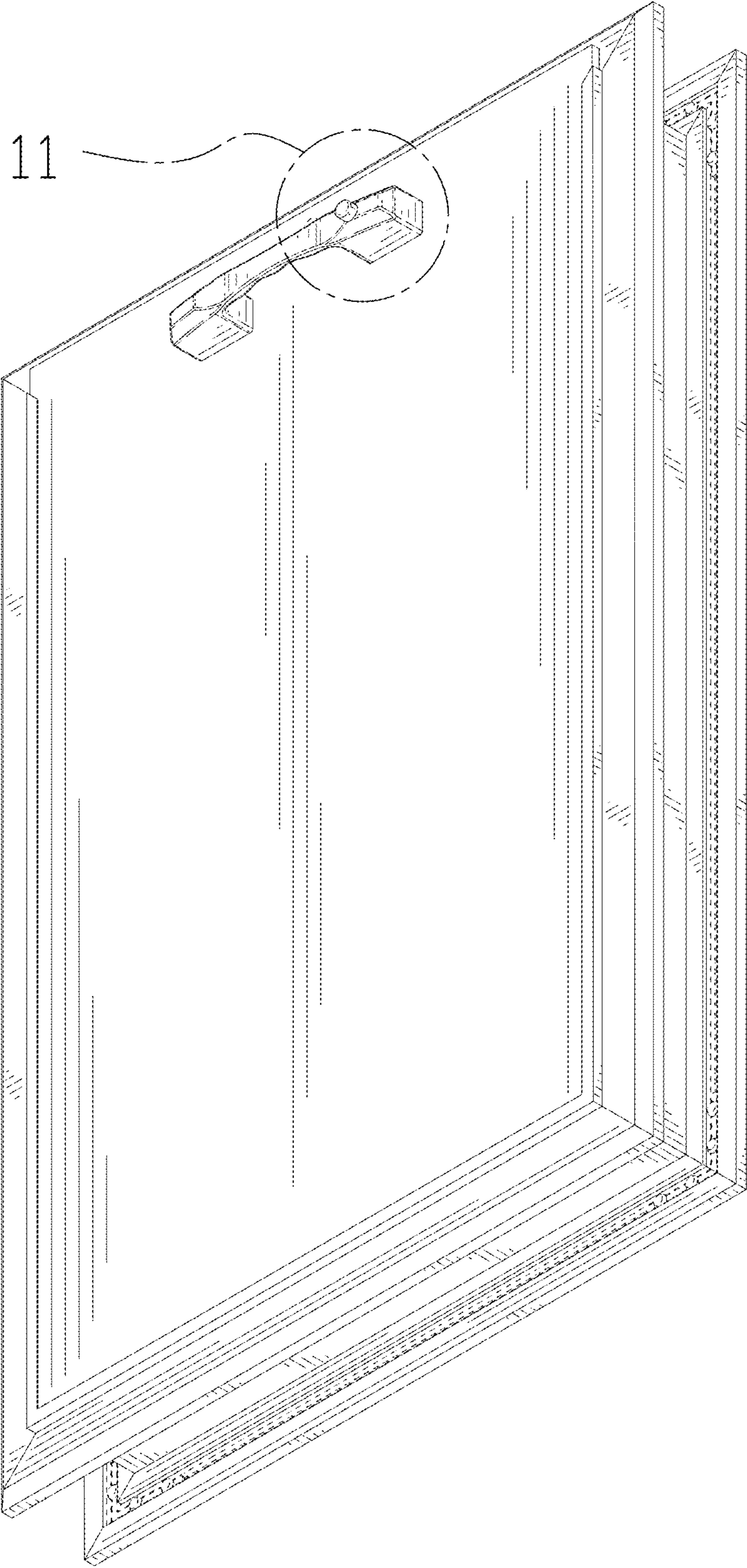


FIG. 2



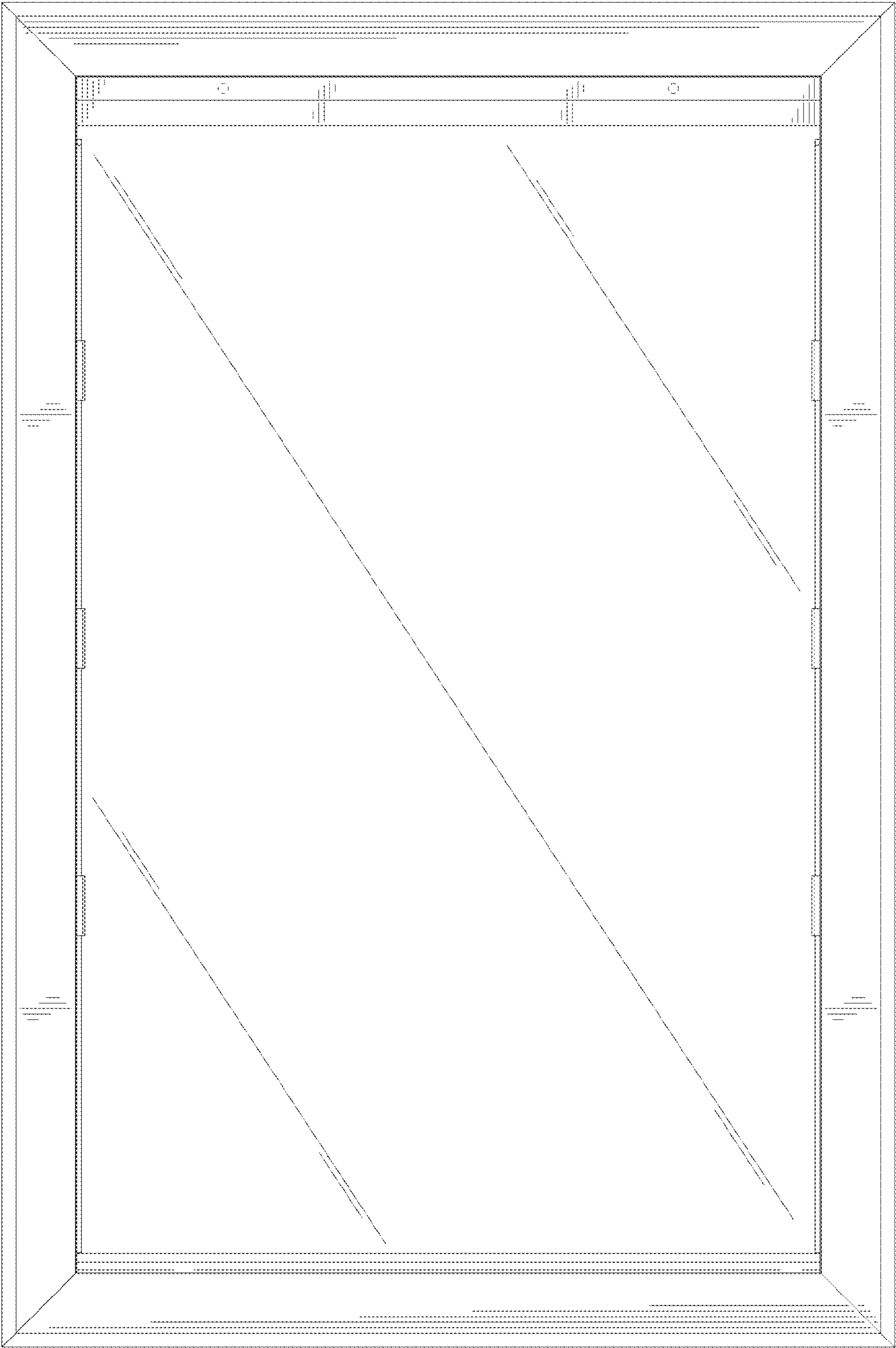


FIG. 3

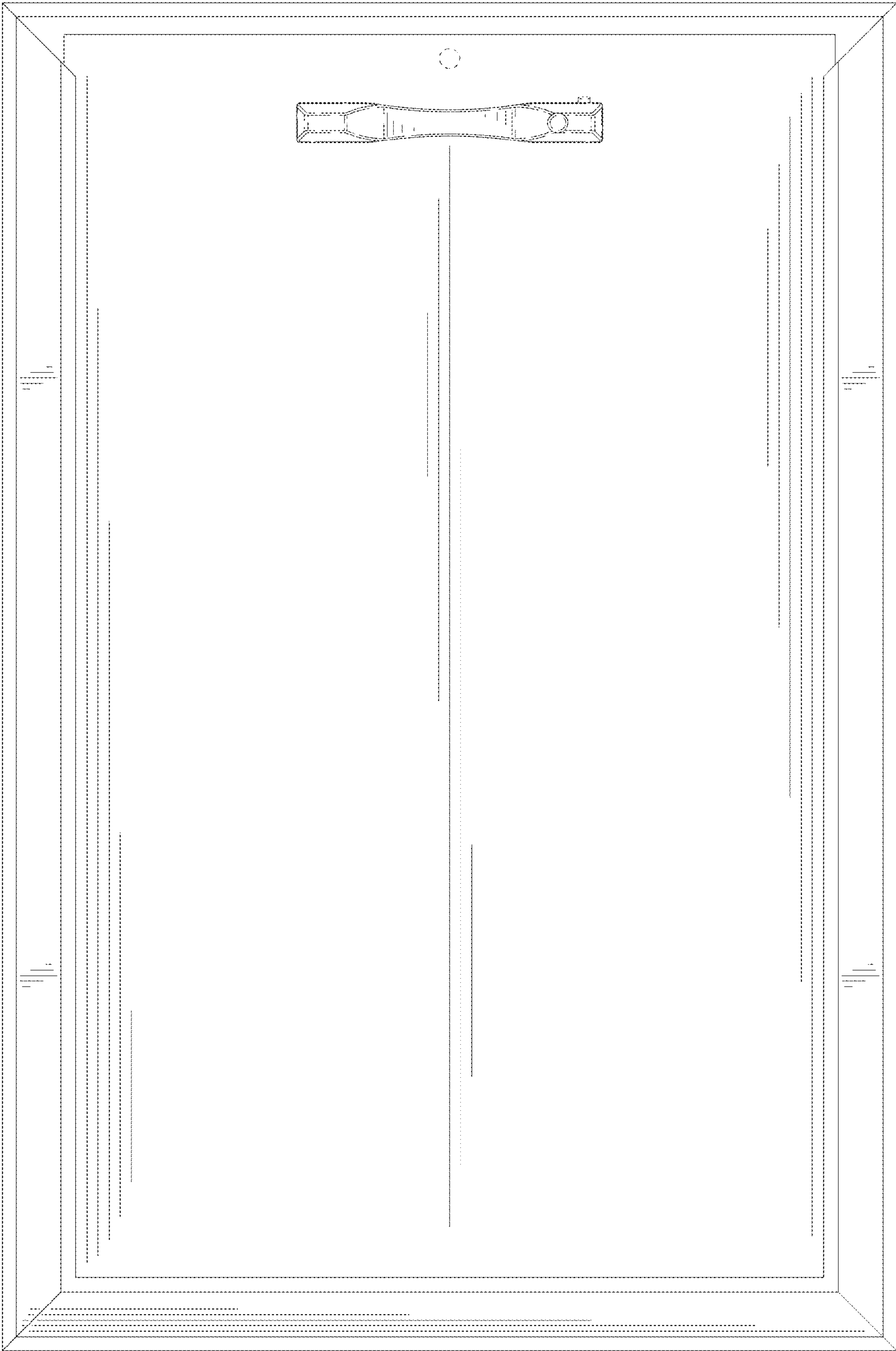


FIG. 4

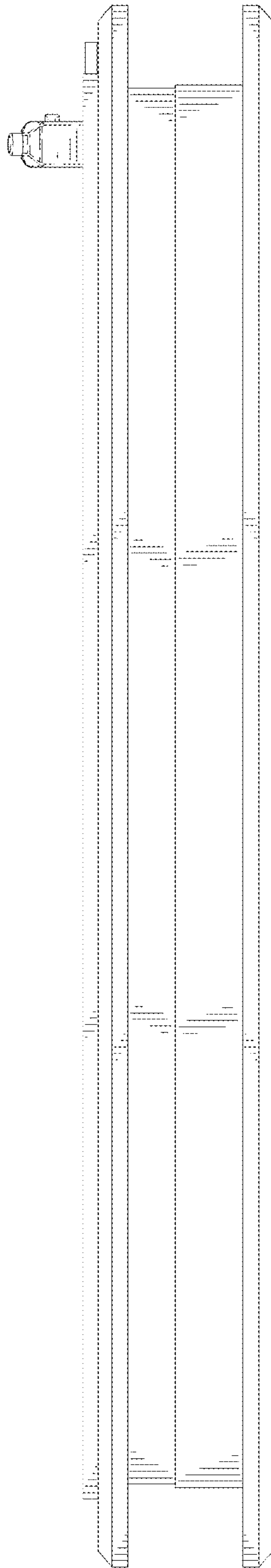


FIG. 5

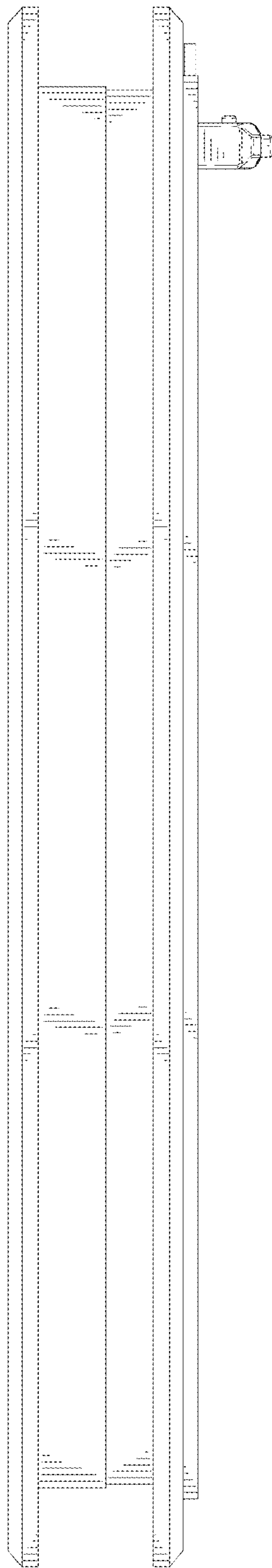


FIG. 6

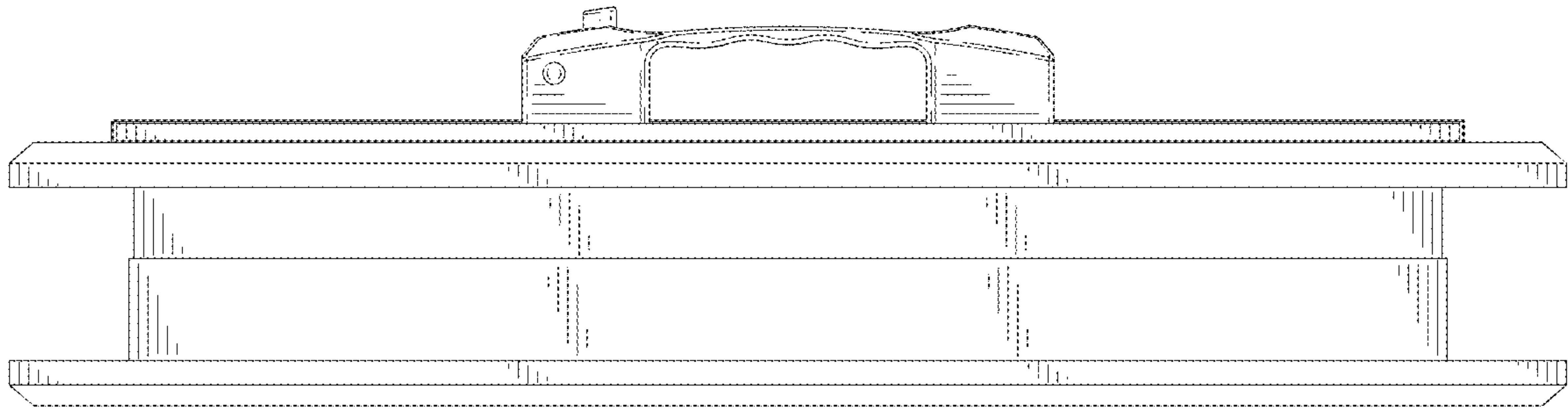


FIG. 7



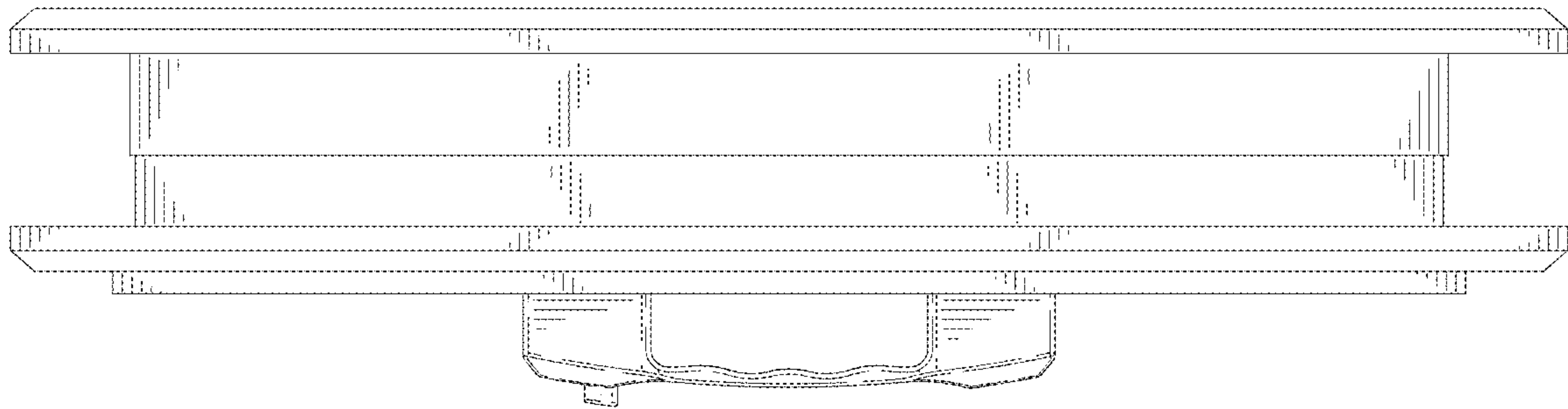


FIG. 8

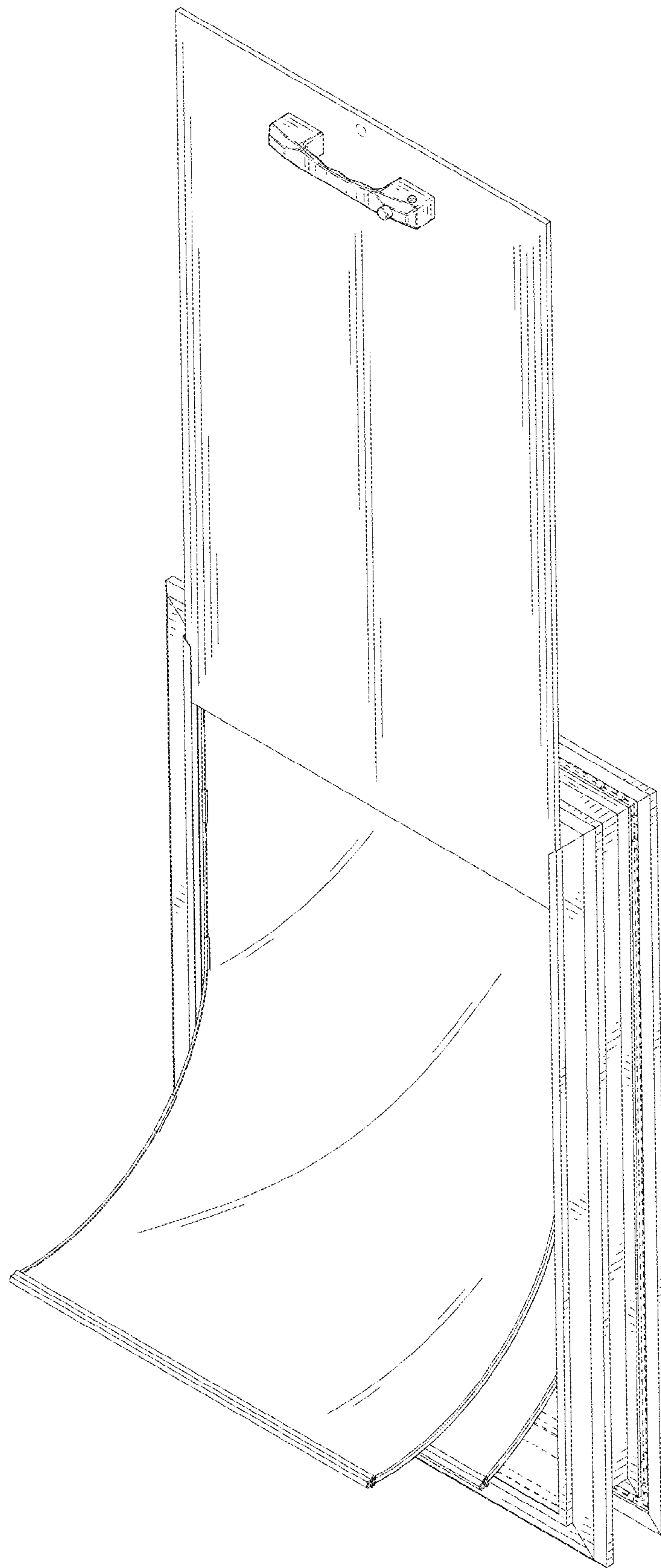


FIG. 9

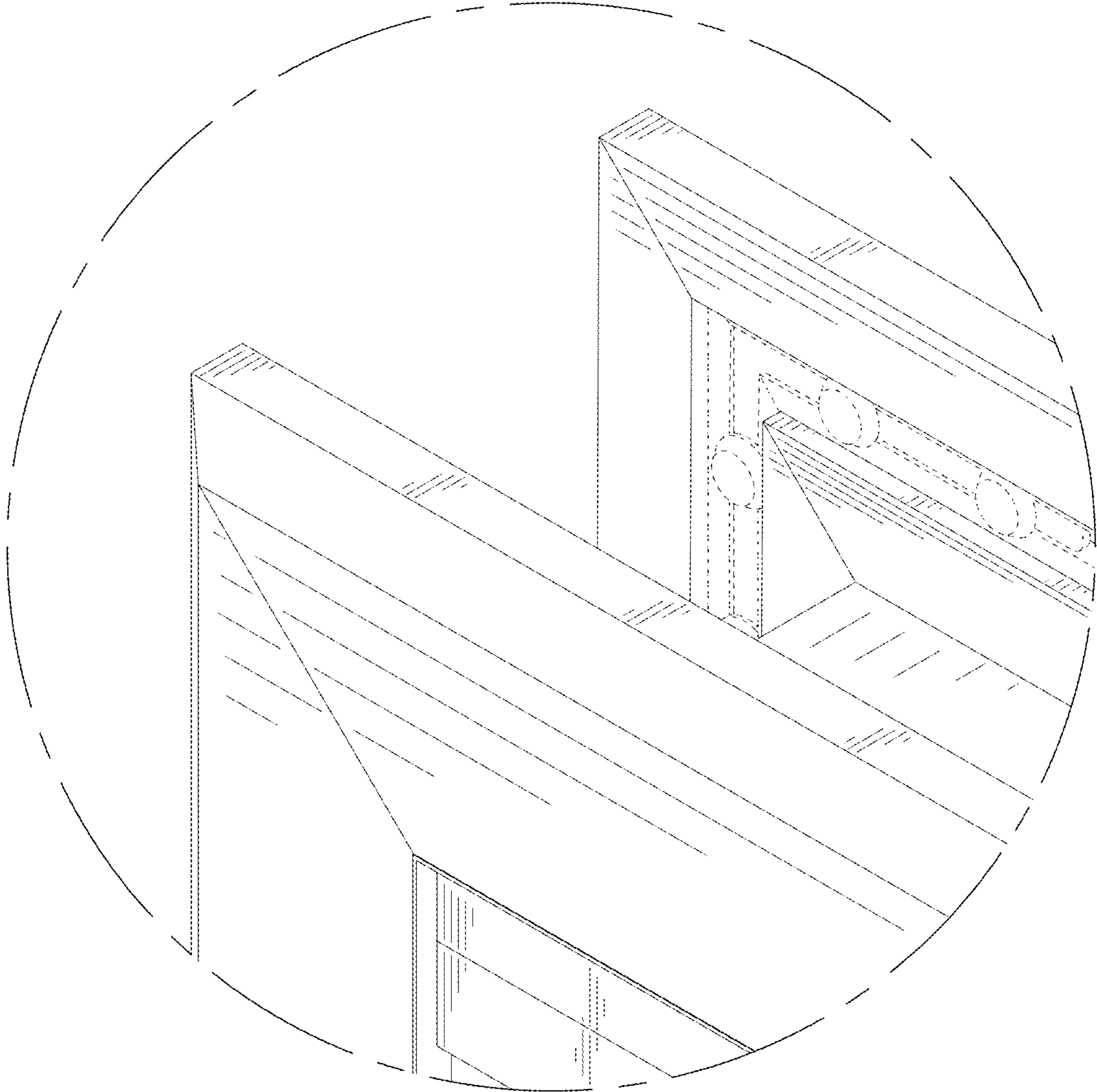


FIG. 10

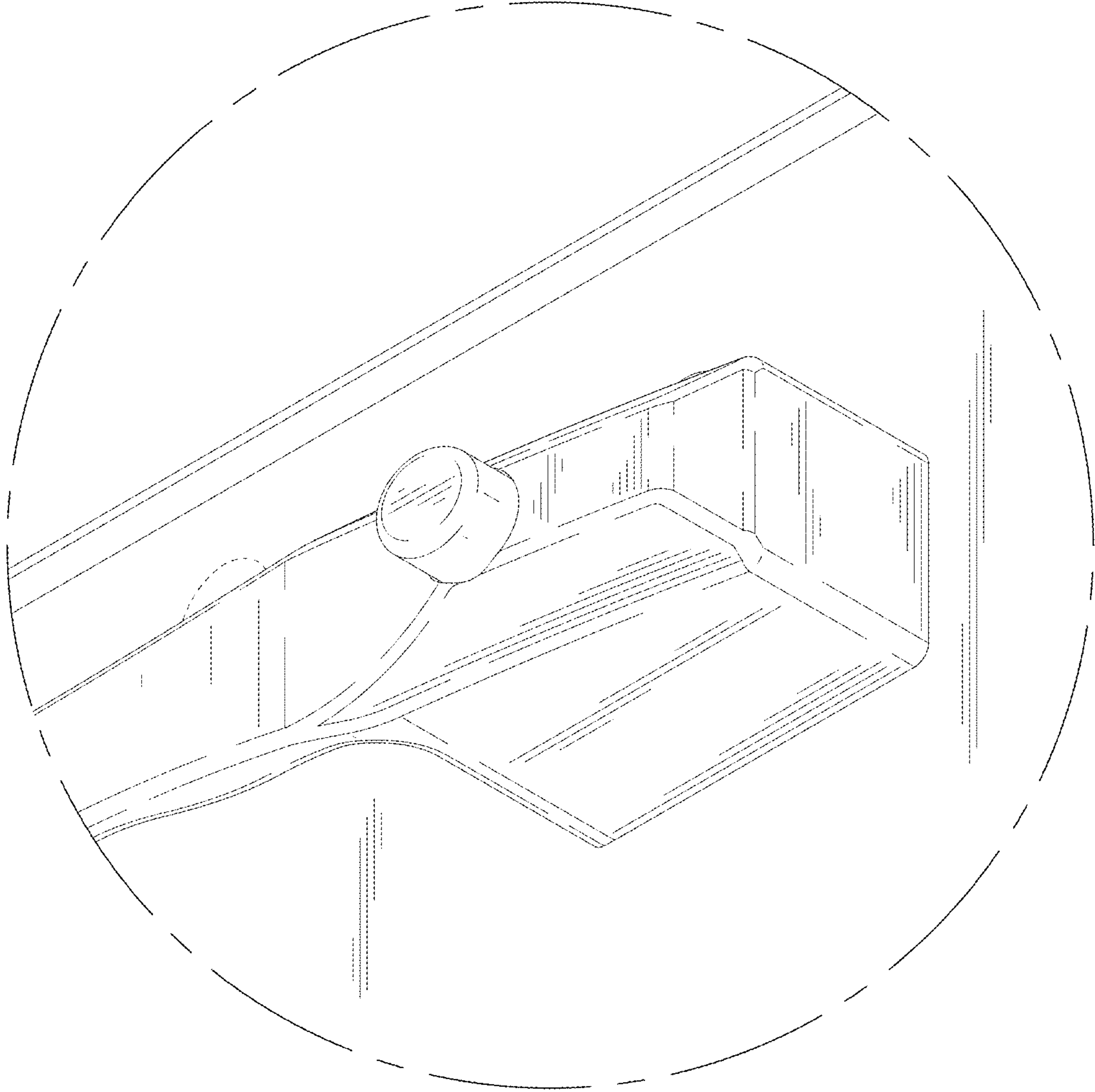


FIG. 11