



US00D974591S

(12) **United States Design Patent** (10) **Patent No.:** **US D974,591 S**
Delano et al. (45) **Date of Patent:** **** Jan. 3, 2023**

(54) **PAVILION**

(71) Applicant: **SkyHook Solar Corp.**, Aspen, CO (US)
(72) Inventors: **Daniel Delano**, Woody Creek, CO (US); **William Gilmore**, Aspen, CO (US); **Joseph Goodman**, Snowmass Village, CO (US); **Chris Needham**, Mountain View, HI (US); **Frank Oudheusden**, Mount Vernon, NH (US)
(73) Assignee: **SkyHook Solar Corp.**, Aspen, CO (US)

(**) Term: **15 Years**

(21) Appl. No.: **29/751,522**

(22) Filed: **Sep. 22, 2020**

(51) **LOC (14) Cl.** **25-03**

(52) **U.S. Cl.**
USPC **D25/28**; D25/16

(58) **Field of Classification Search**
USPC D25/1, 3-35, 56-61; 135/87, 117; 52/74, 90.1; D13/102; D6/714
CPC E04F 10/005; E04F 10/00; E04H 15/58; E04H 15/34; E04H 15/02; E04C 3/02; H02J 7/35; H02S 10/00; H02S 40/32; H02S 10/40; H02S 40/38
See application file for complete search history.

(56) **References Cited**

U.S. PATENT DOCUMENTS

D194,969 S * 4/1963 McGee D25/16
D196,637 S * 10/1963 Christ-Janer D25/1
D242,069 S * 10/1976 Barber D25/56
(Continued)

FOREIGN PATENT DOCUMENTS

CN 304223868 * 7/2017
CN 305344002 * 9/2019
(Continued)

OTHER PUBLICATIONS

EVgo Fast Charging Stations, available in evgo.com, announced Year 2019 [online], [site visited Apr. 12, 2022], Internet URL: <https://www.prnewswire.com/news-releases/evgo-balances-ev-fast-charging-with-14-battery-storage-systems-across-11-evgo-fast-charging-stations-300830401.html> (Year: 2019).*

Primary Examiner — Brett Miller

Assistant Examiner — Jasmine L. Comedy

(74) *Attorney, Agent, or Firm* — Ballard Spahr LLP

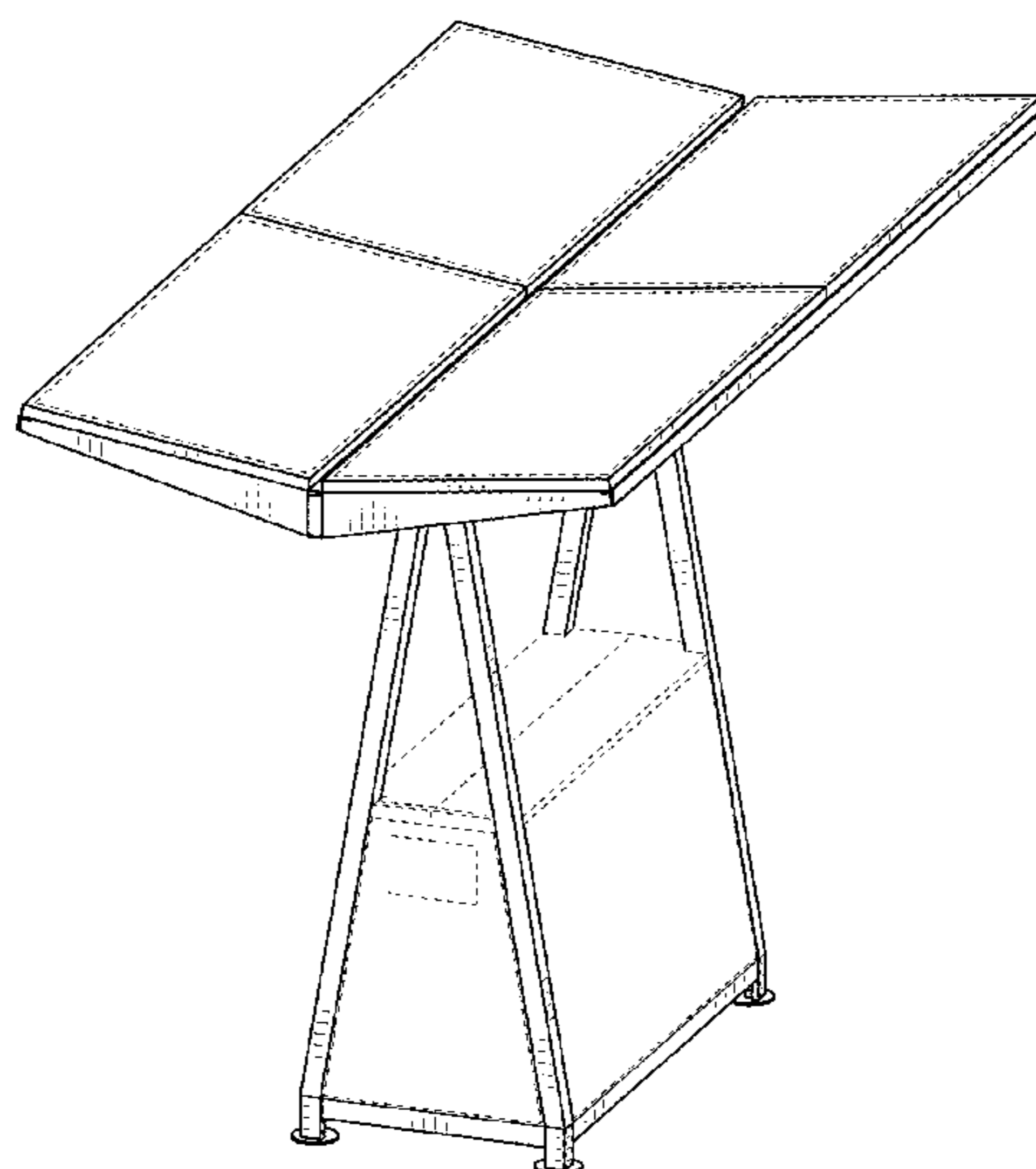
(57) **CLAIM**

We claim the ornamental design for a pavilion, as shown and described.

DESCRIPTION

FIG. 1 is an isometric view of our design for a pavilion; FIG. 2 is a right side view of the design for the pavilion shown in FIG. 1, the left side view being a mirror thereof; FIG. 3 is a front view of the design for the pavilion shown in FIG. 1; FIG. 4 is a rear view of the design for the pavilion shown in FIG. 1; FIG. 5 is a top view of the design for the pavilion shown in FIG. 1; FIG. 6 is a bottom view of the design for the pavilion shown in FIG. 1; FIG. 7 is an isometric view of our design for a pavilion; FIG. 8 is a right side view of the design for the pavilion shown in FIG. 7, the left side view being a mirror thereof; FIG. 9 is a front view of the design for the pavilion shown in FIG. 7, the rear view being a mirror image thereof; FIG. 10 is a top view of the design for the pavilion shown in FIG. 7; and, FIG. 11 is a bottom view of the design for the pavilion shown in FIG. 7. The broken lines depict portions of the pavilion that form no part of the claimed design.

1 Claim, 8 Drawing Sheets



(56)

References Cited

U.S. PATENT DOCUMENTS

5,441,068 A * 8/1995 Rasch A45B 23/00
135/98
D421,132 S * 2/2000 Chipman D25/56
D432,665 S * 10/2000 Chipman D25/56
D481,802 S * 11/2003 Shilling D25/56
D537,170 S * 2/2007 Takeuchi D25/56
D537,532 S * 2/2007 Takeuchi D25/56
D611,405 S * 3/2010 Mackler D13/102
7,705,277 B2 * 4/2010 Noble F24S 30/422
52/173.3
D643,937 S * 8/2011 Boesch D25/56
D647,216 S * 10/2011 Richardson D25/56
D663,683 S * 7/2012 Fischer D13/102
8,387,318 B2 * 3/2013 Kaufman E04H 6/025
52/173.3
D850,363 S * 6/2019 McKibben E04H 6/08
D13/102
D856,726 S * 8/2019 Mak D6/714
D881,412 S * 4/2020 Katov D25/4
D957,318 S * 7/2022 Atanasova D13/102
2021/0211086 A1 * 7/2021 Schwarze H02S 20/23

FOREIGN PATENT DOCUMENTS

GB 2026941 * 2/1993
KR 3009452550000 * 2/2018

* cited by examiner

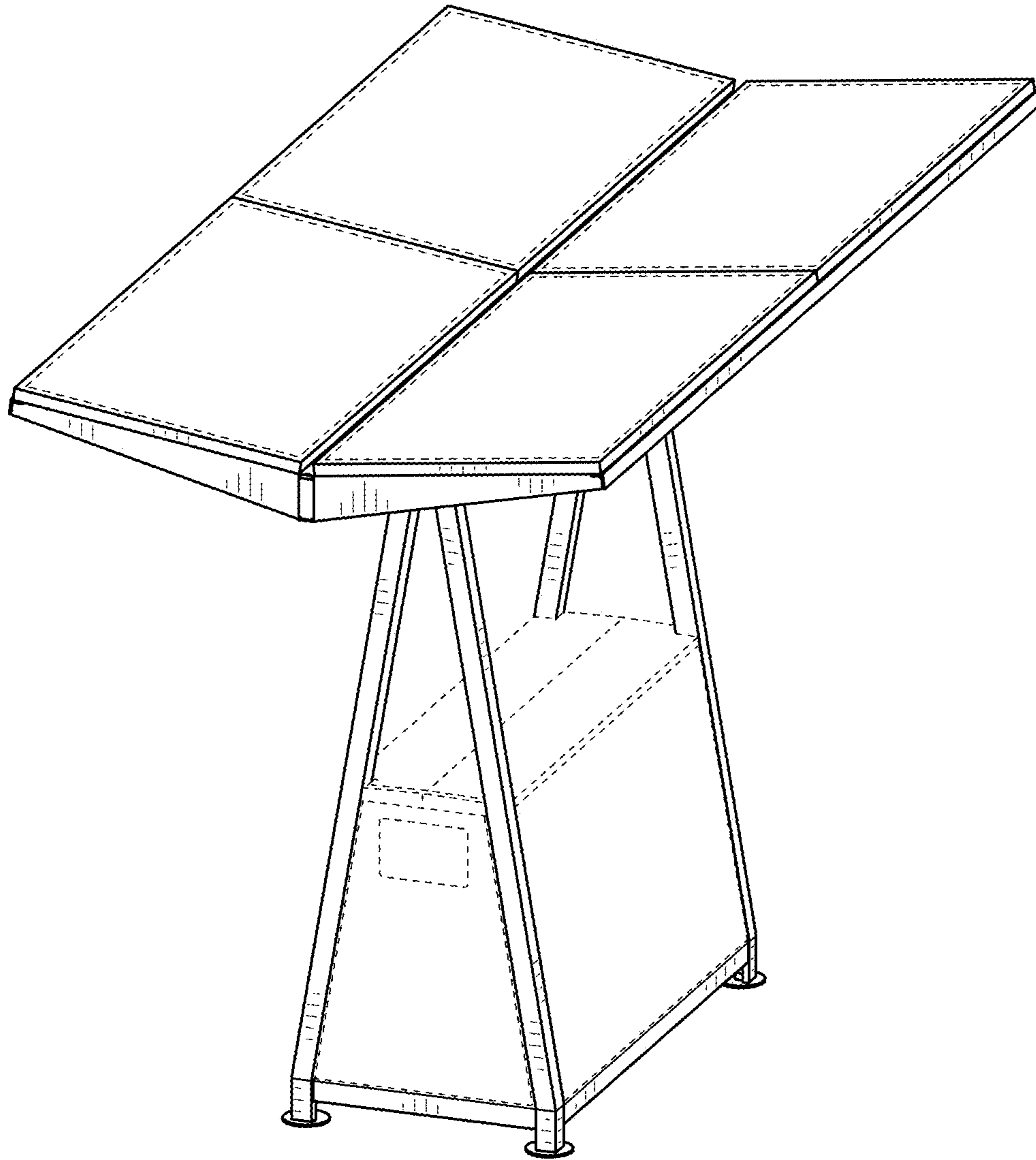


FIG. 1

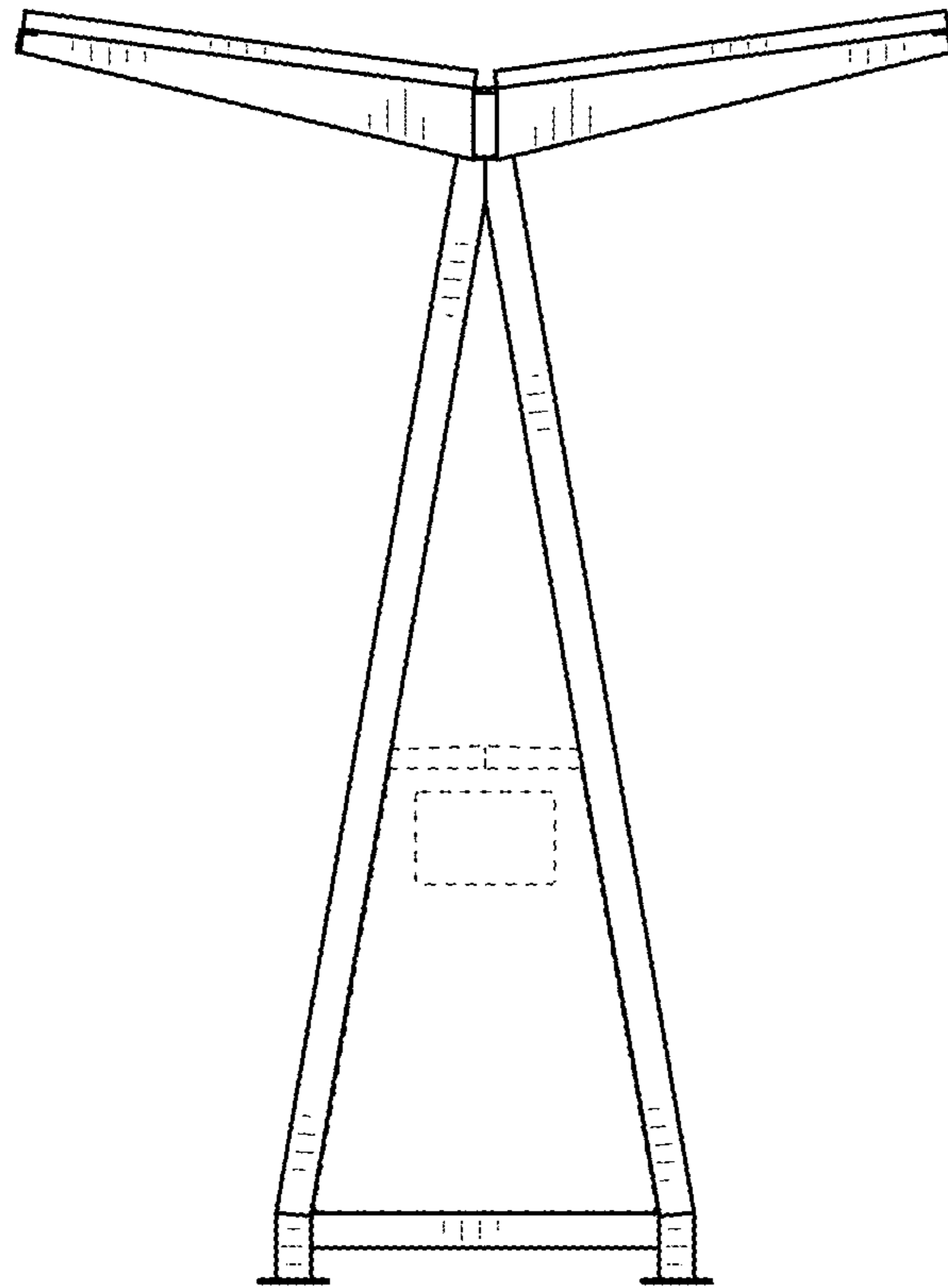


FIG. 2

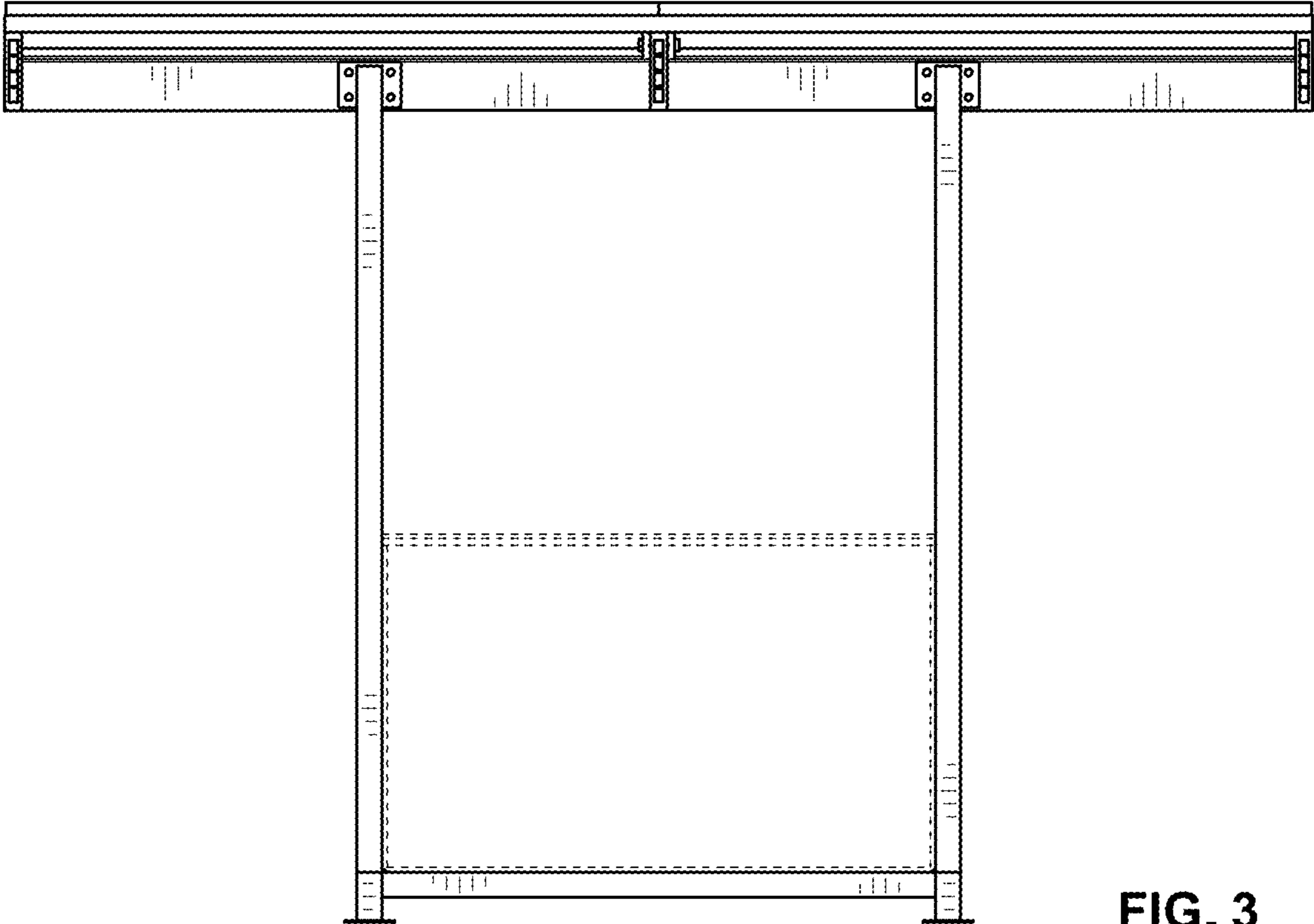


FIG. 3

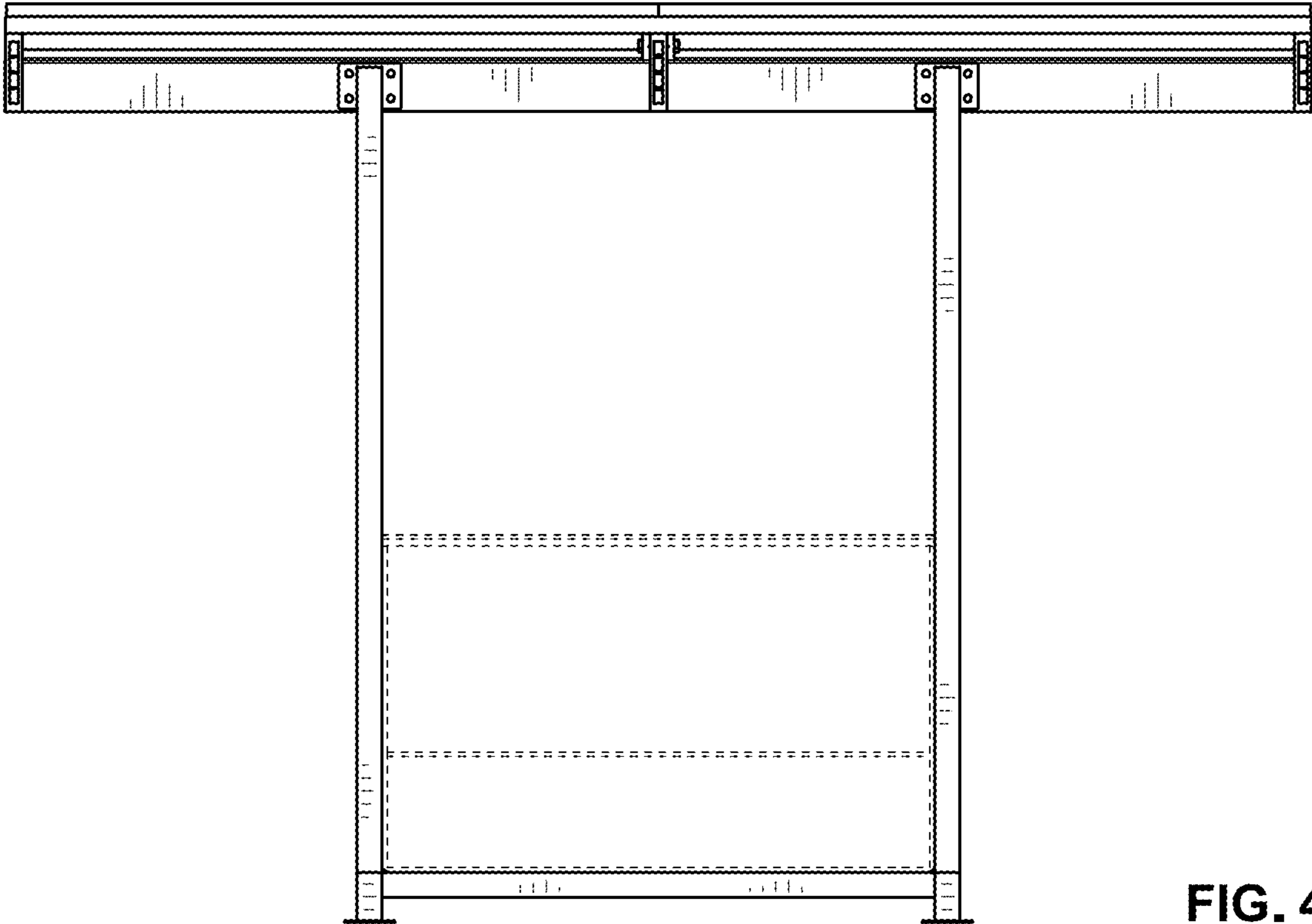


FIG. 4

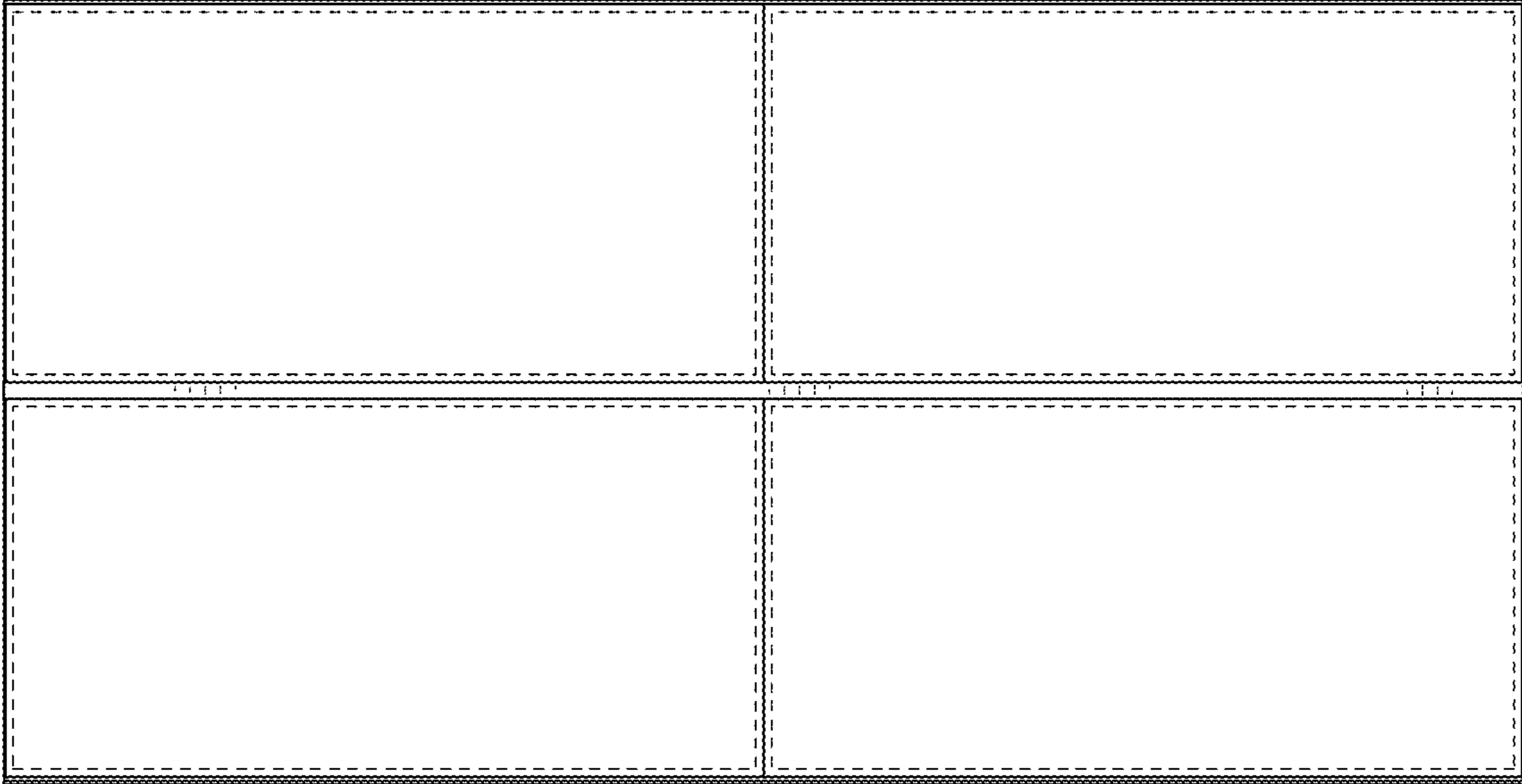


FIG. 5

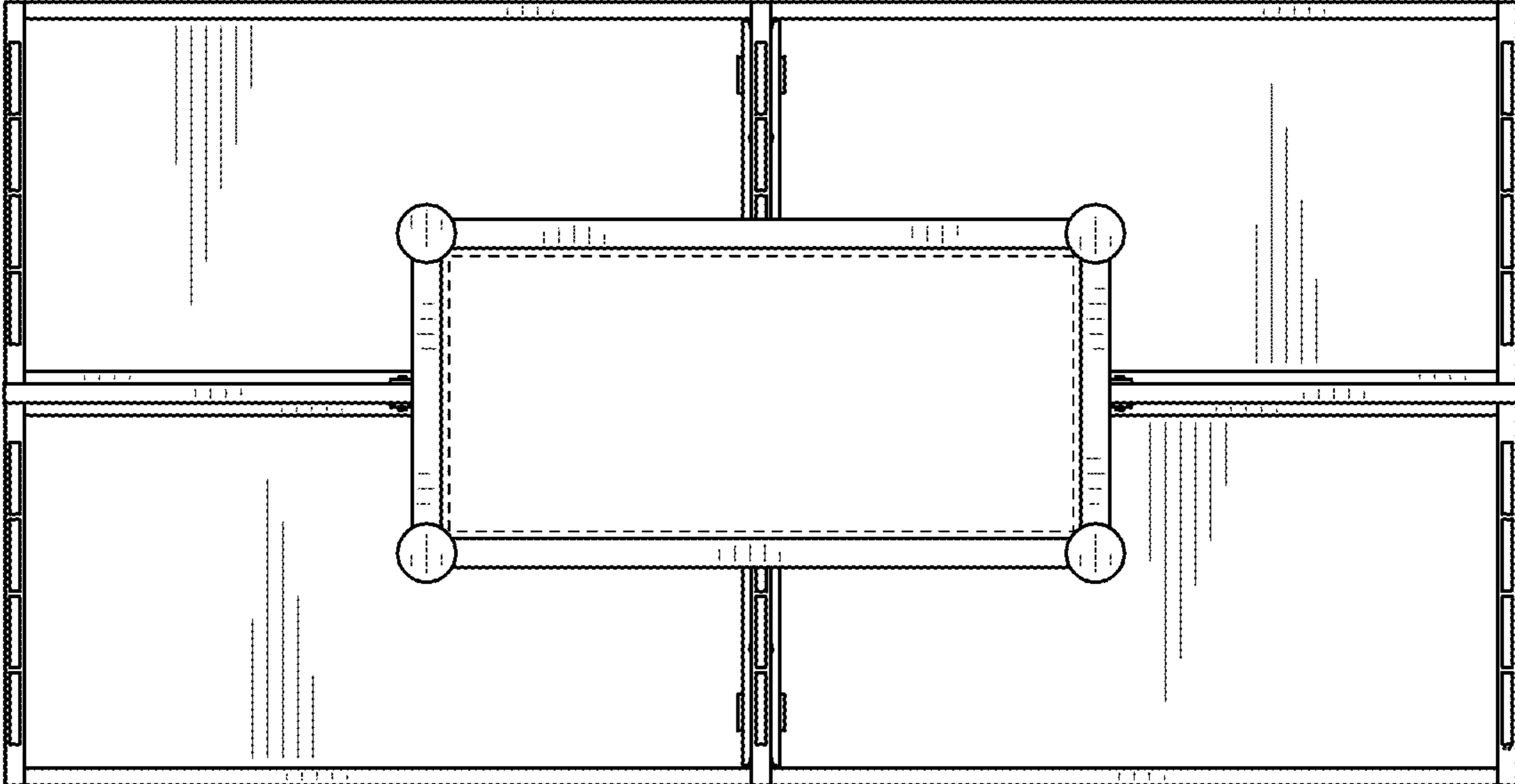


FIG. 6

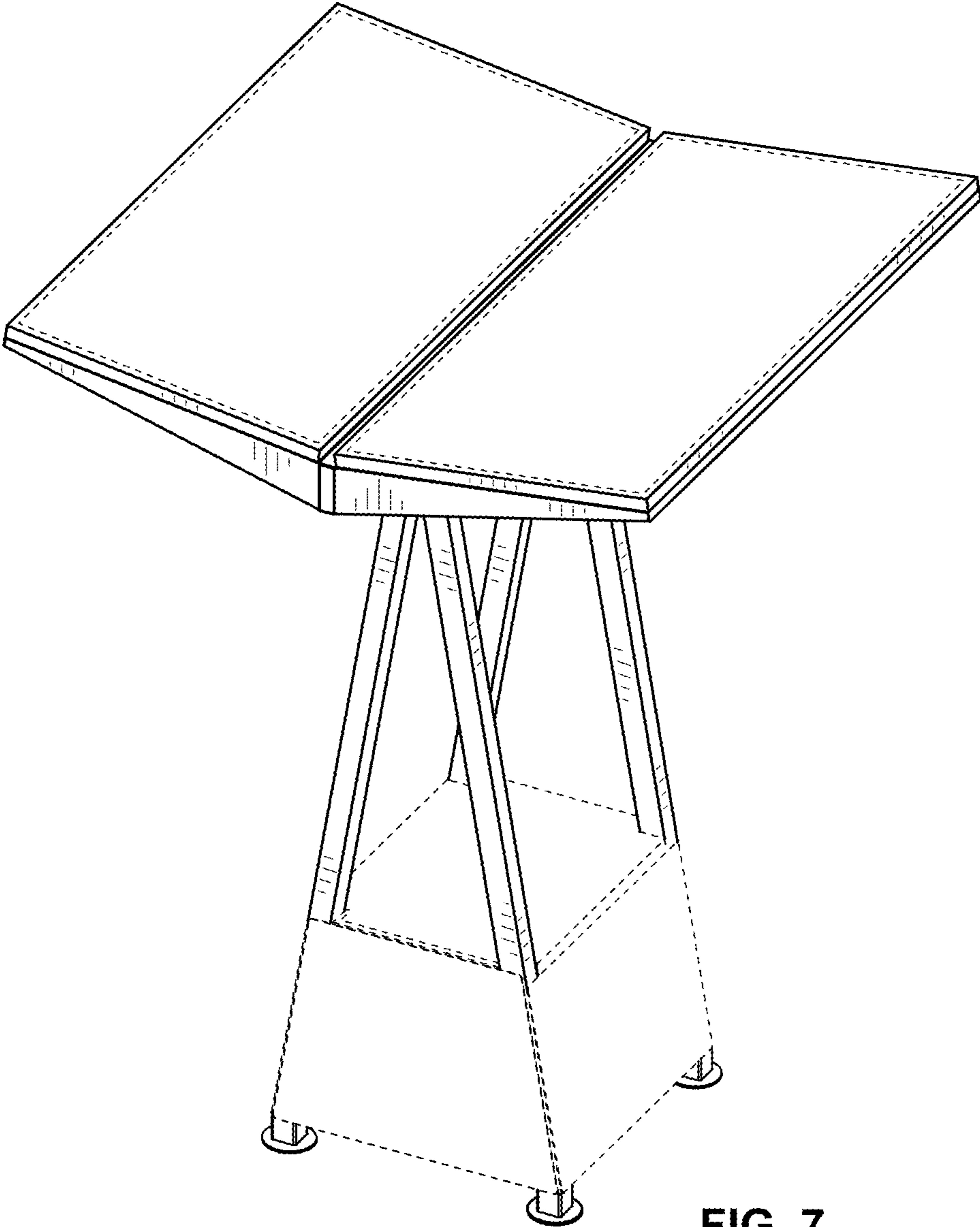


FIG. 7

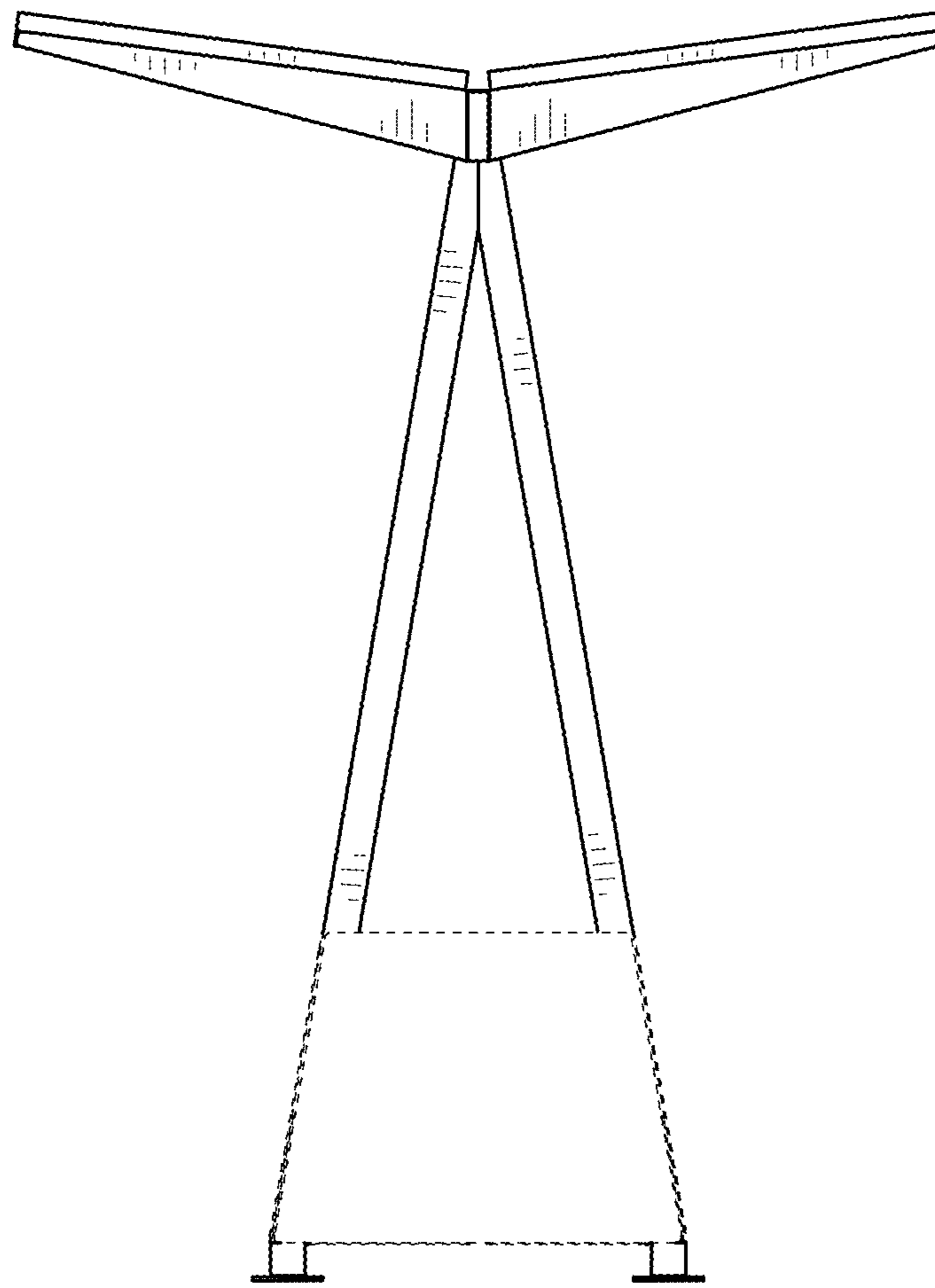


FIG. 8

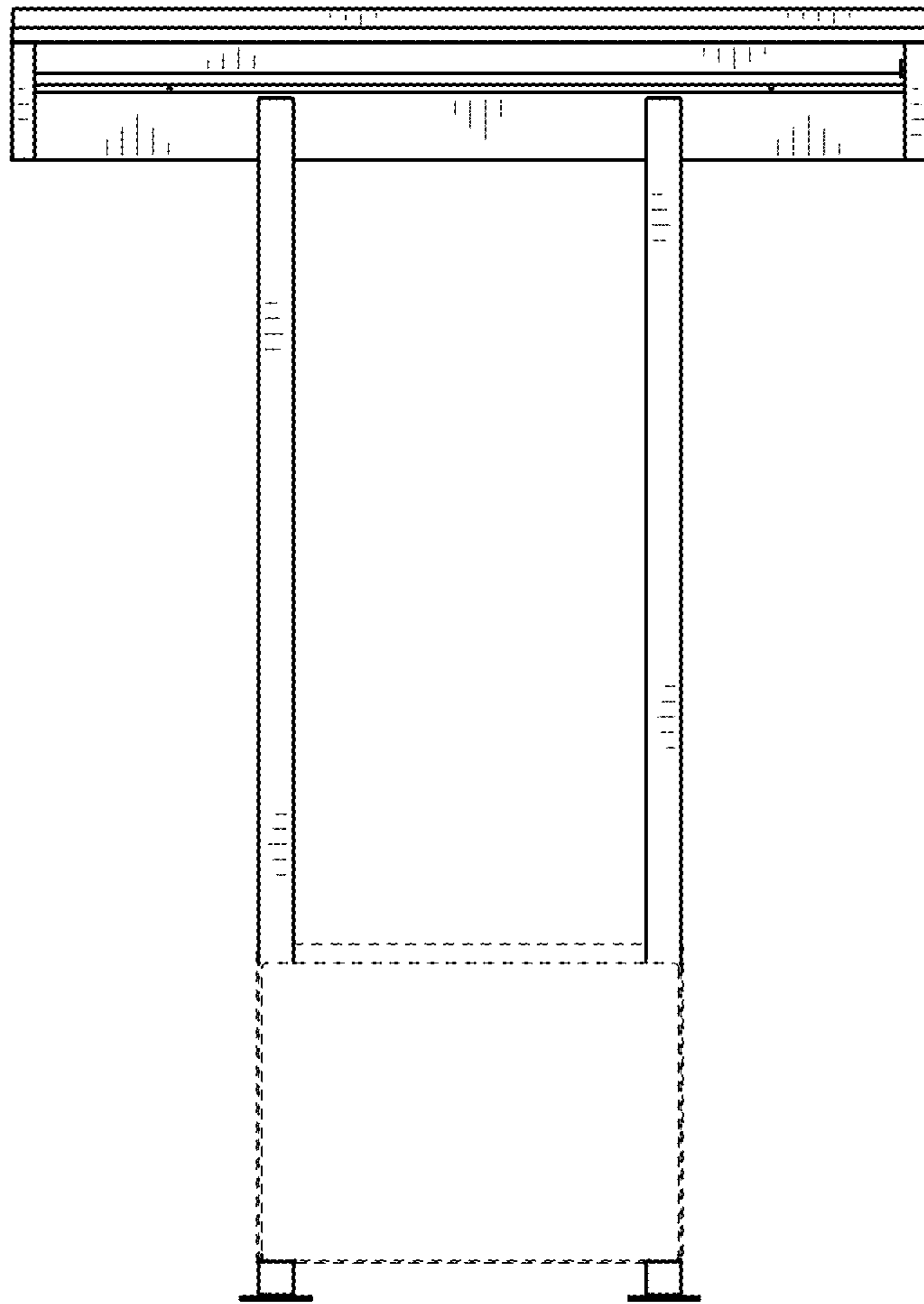


FIG. 9

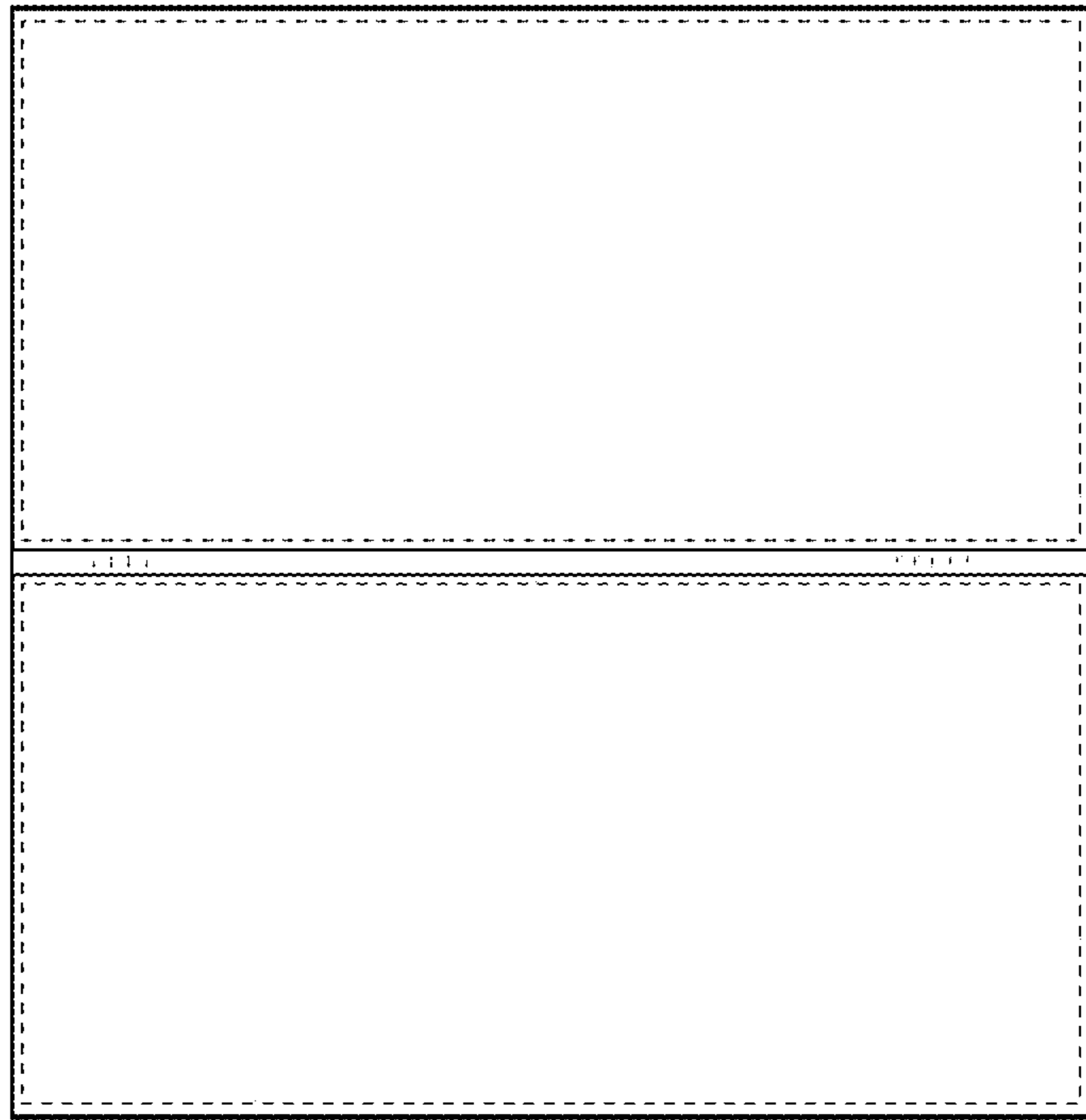


FIG. 10

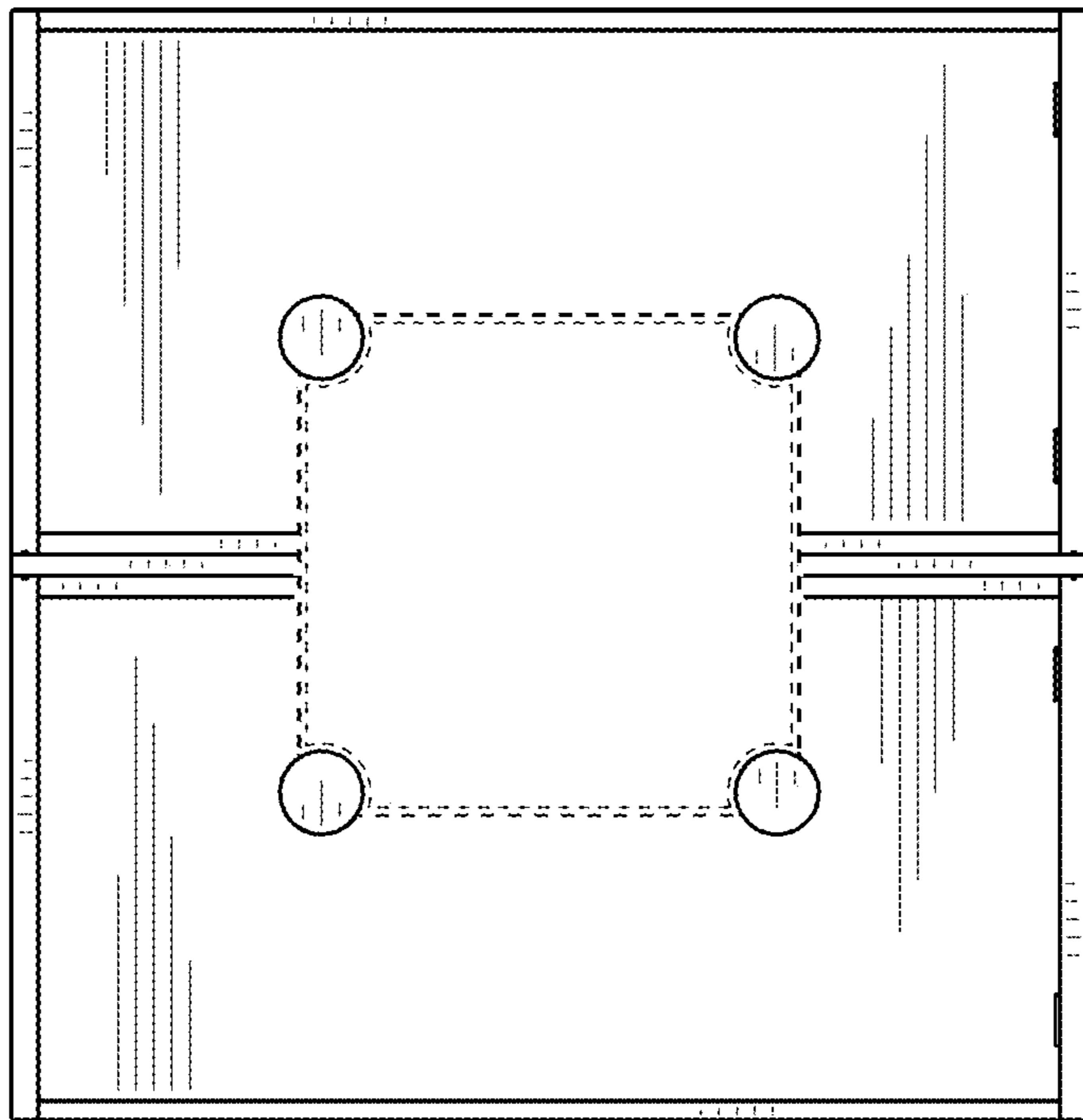


FIG. 11